

POSEIDON PE, POSEIDON DE

Model:

POSEIDON 2-31 PE

POSEIDON 3-36 PE

POSEIDON 5-47 PE

POSEIDON 5-53 PE

POSEIDON 5-54 DE

POSEIDON 5-67 PE



Stykliste Dansk

12-08-2011

Indholdsfortegnelse

POSEIDON PE, POSEIDON DE

Chassis and motor POSEIDON PE	3
Pump 2-31 PE	5
Pump 3-36 PE	7
Pump 5-47 PE	10
Pump 5-53 PE	12
Pump 5-67 PE	14
Unloader 5-47, 5-53 PE	17
Unloader 5-67 PE	19
Throttle controller - PE XT	22
Hose reel - PE XT	24
Chassis and motor POSEIDON DE	26
Pump 5-54 DE	28
Unloader 5-54 DE	31
Gearbox	33
Default accessories 2-31 PE BASIC (GC160)	35
Default accessories PE	37
Default accessories DE	39
Recommende spare parts	41

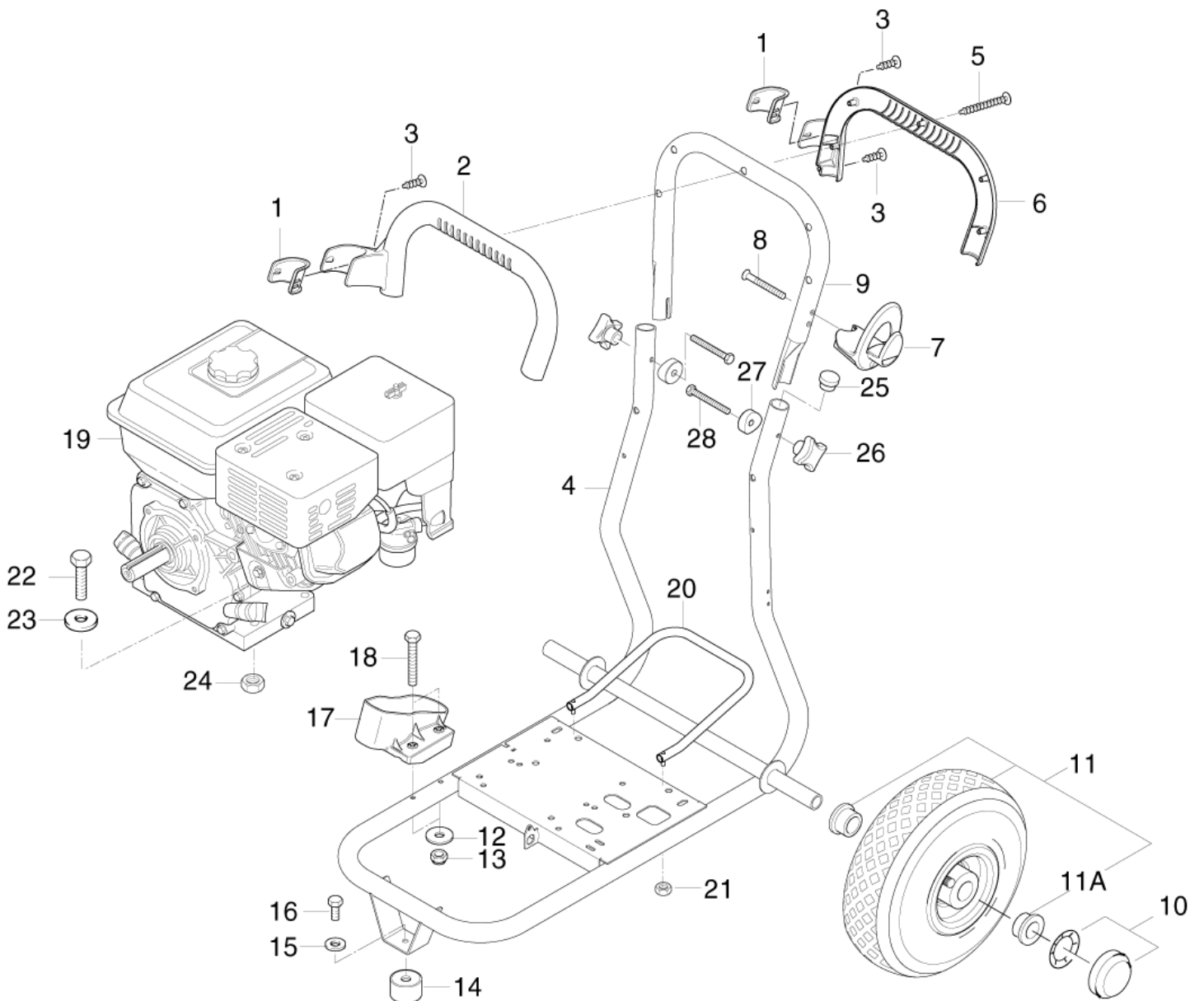
Chassis and motor POSEIDON PE

POSEIDON PE, POSEIDON DE

12-08-2011

StyMiste ID POSPE02

3



Chassis and motor POSEIDON PE

POSEIDON PE, POSEIDON DE

12-08-2011

StyMiste ID

POSPE02

4

Pos	Vare nr.	Ant	Beskrivelse	EAN
1	101117995	2	HOLDER FOR DYSERØR	4005337182
2	101117962	1	KØREHÅNDTAG, FRONT	4005337178
3	909100147	3	EJOT-SKRUE K40X12 WN	4005337026
4	106162728	1	FRAME	4005337128
5	909100187	5	SKRUE	4005337052
6	101117963	1	REAR HANDLE CLAMP	4005337178
7	301000808	1	HOLDER	4005337024
8	909100149	2	SKRUE 5x50	4005337026
9	106162726	1	DRIVING HANDLE FOLDABLE	4005337128
10	2004265	2	NAV KAPSEL KOMP. Ø25	5701715031
11	102013555	2	HJUL	4005337134
12	2766	2	WASHER 6,4X1,6	4005337027
13	11619	2	MØTRIK M6	4005337116
14	104601167	2	Buffer Ø39x32	4005337134
15	1801182	2	FJEDERSKIVE M8	5701715027
16	1810266	2	SÆTSKRUE M8X12 DIN 933 RF	5701715030
17	301000774	1	SKÅL	4005337024
18	17749	2	SKRUE	4005337177
19	103822153	1	HONDA GC 160 MOTOR	2-31PE 4005337115
19	103822154	1	HONDA GX 160 MOTOR	3-36PE 4005337115
19	103822155	1	HONDA GX 270 MOTOR	5-47PE 4005337115
19	103822156	1	HONDA GX 340 MOTOR	5-53PE 4005337115
19	103822157	1	HONDA GX 390 MOTOR	5-67PE 4005337115
20	106162748	1	SHACKLE WITH SET SCREW WELDED	4005337124
21	1809920	2	LÅSEMØTRIK M/NY LONRING RF	5701715115
22	24319	4	HEX. SCREW M10X35 ISO 4017 A2	4005337243
23	1800317	8	UNDERLAGSSKIVE ENCORE 26/28/30	5701715026
24	8952	4	MØTRIK SEKSKANTET M10	4005337089
25	104601173	2	LOCK CAP BLACK D30	4005337134
26	4000279	2	STJERNEGREB	5701715045
27	106162744	2	SPACING PIECE	4005337128
28	101814796	2	HEXAGON SOCKET HEAD CAP S CREW M6X50	4005337129
11A	106522529	4	BUSHING	5715492048

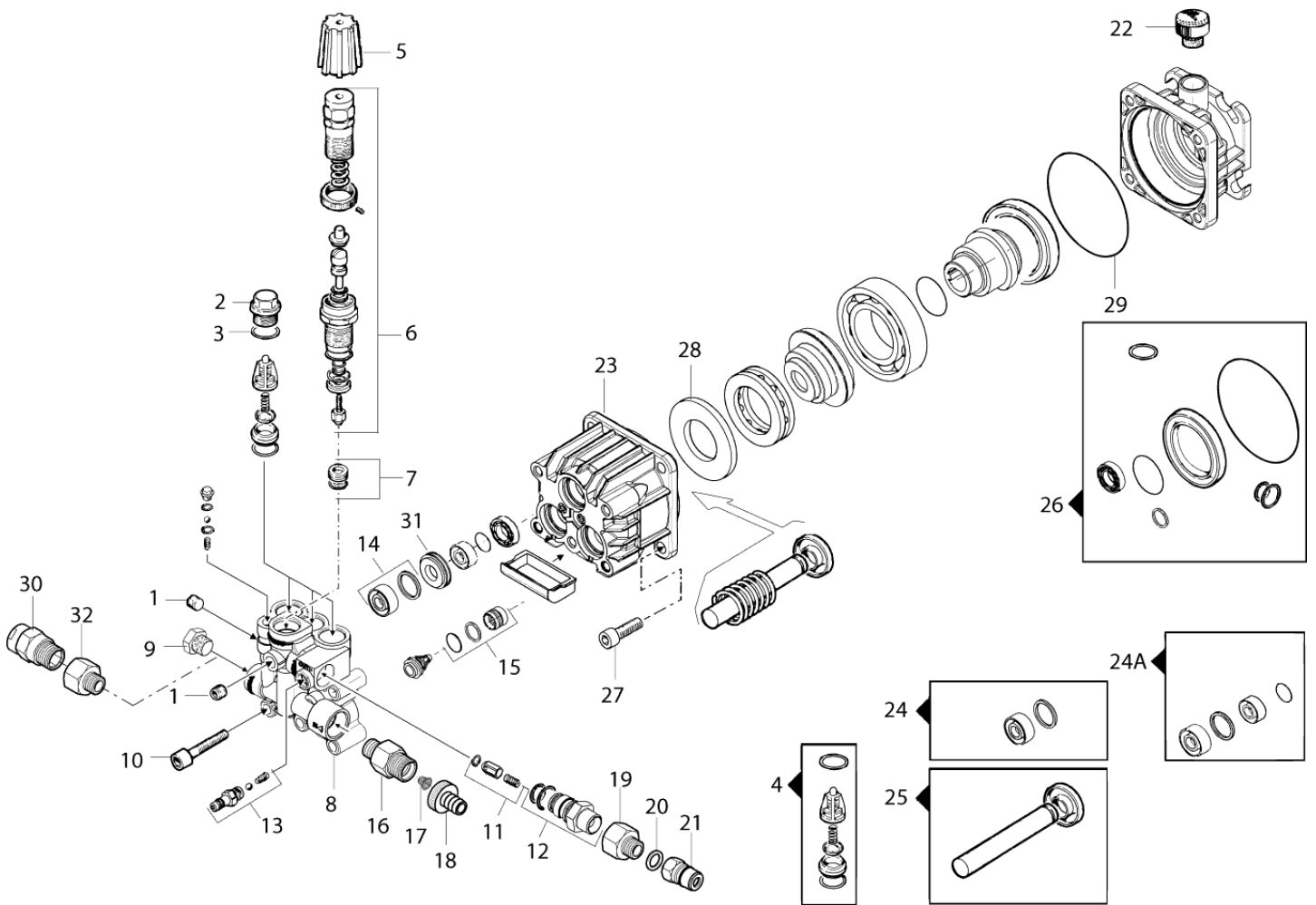
Pump 2-31 PE

POSEIDON PE, POSEIDON DE

12-08-2011

StyMiste ID
POS2PE04

5



Pump 2-31 PE

POSEIDON PE, POSEIDON DE

12-08-2011

StyMiste ID
POS2PE04

6

Pos	Vare nr.	Ant	Beskrivelse	EAN
-	102202525	1	PUMP GXD 3020	4005337117
1	301002546	3	PROP	4005337106
2	301002544	3	PLUG	4005337106
3	3002045	3	O-RING	5701715038
4	301002562	1	KIT VALVE [6X]	4005337106
5	106162555	1	KNOB	5701715419
6	106162552	1	REGULATION VALVE COMPL.	4005337115
7	106162562	1	VENTILSÆDESÆT	5701715419
8	106162571	1	CYLINDER HEAD Ø 14	5701715419
9	301002572	1	NIPPLE 3/4"	4005337107
10	1814634	4	SKRUE	5701715292
11	106162556	1	CHECK VALVE KIT	5701715419
12	106162572	1	INJEKTOR BODY KIT	5701715419
13	106162558	1	CHEMICAL COUPLING KIT	5701715419
14	106162577	1	PAKNINGSSÆT FOR STEMPEL	5701715419
15	106162567	3	SUCTION VALVE PLUG KIT	5701715419
16	106162692	1	FILTER HOLDER	4005337117
17	101117926	1	FILTER	4005337177
18	61369	1	SLANGESTUDS Ø20X3/4 CUZN	4005337613
19	106162696	2	NIPPEL	4005337117
20	1801075	1	TÆTNINGSSKIVE 3/8" RG	5701715027
21	1600493	1	LYNKOBLINGSNIPPEL 3/8"	5701715023
22	106162698	1	OLIEPROP	5701715457
23	301002560	1	HUS	4005337106
24	106162577	1	PAKNINGSSÆT FOR STEMPEL	Up to pump serial no. 39708103 5701715419
25	106162598	1	Ø 14 MM PISTON KIT	
26	106162599	1	PAKNINGSSÆT	
27	106162887	1	SCREW M8X22 UNI 5931-8,8	5701715423
28	301002557	1	SKIVE	4005337106
29	909100431	1	O-RING Ø85X3	4005337106
30	107140350	1	Thermal dump valve	4005337157
31	301002570	1	PACKING RING Ø14/28X11,5	From pump serial no. 39708103 4005337107
31	31000165	1	PACKING RETAINER	Up to pump serial no.39708103 5715492046
32	101117993	1	NIPPLE KIT	4005337182
24A	31000343	1	PISTON SEAL KIT	From pump serial no. 39708103 5715492081

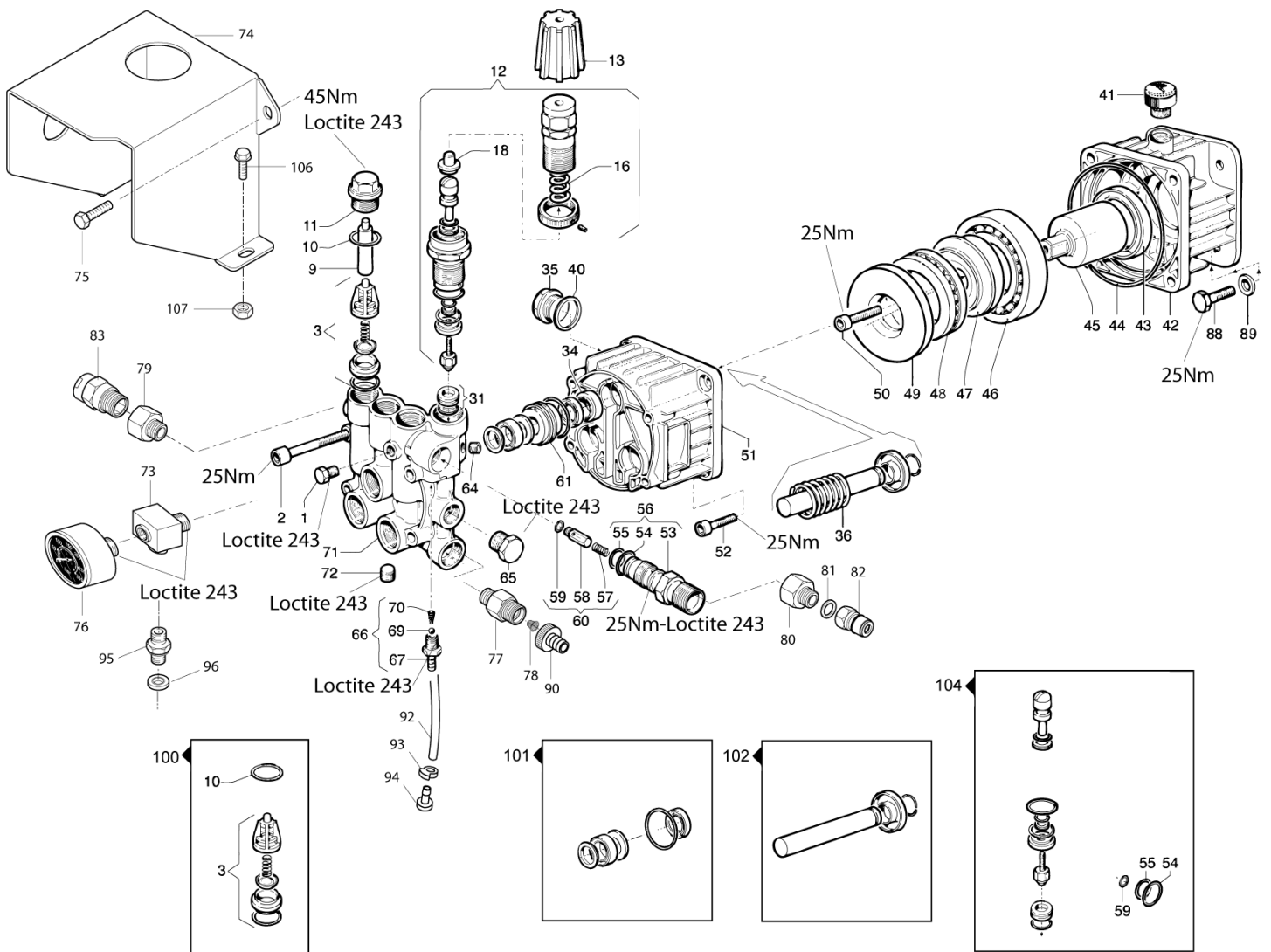
Pump 3-36 PE

POSEIDON PE, POSEIDON DE

12-08-2011

StyMiste ID
POS3PE04

7



Pump 3-36 PE

POSEIDON PE, POSEIDON DE

12-08-2011

StyMiste ID
POS3PE04

8

Pos	Vare nr.	Ant	Beskrivelse	EAN
-	102202526	1	Pumpe AXD 3522	4005337117
1	301002546	1	PROP	4005337106
2	9543	4	CYLINDER SCREW M8X55 ISO 4762 ST 8.8/ZN	4005337095
3	301002562	6	KIT VALVE [6X]	4005337106
9	301002574	2	SPACER SLEEVE Ø 5	4005337107
10	3002045	6	O-RING	5701715038
11	301002544	6	PLUG	4005337106
12	106162552	1	REGULATION VALVE COMPL.	4005337115
13	106162554	1	KNOB	
16	106162877	1	SPRING 12,6X41,0	5701715423
18	106162878	1	SPRING SPACER	5701715423
31	106162562	1	VENTILSÆDESÆT	5701715419
34	106162879	3	PAKNING	5701715423
35	301002585	1	PROP 1/2"	4005337107
36	106162880	3	SPRING	5701715423
40	3000825	1	O-RING 20,24X2,62 NITRIL	5701715037
41	106162882	1	STIK	5701715423
42	106162883	1	SUPPORT	5701715423
43	106162884	1	OIL SEAL 40X55X7	5701715423
44	909100435	1	O-RING	4005337107
45	106162885	1	HOLLOW SHAFT 3/4	5701715423
46	106162886	1	BALL BEARING 40X80X20	5701715423
47	301002556	1	SKRÅSKIVE 10,5° 'E	4005337106
48	909100432	1	KUGLELEJE	4005337106
49	301002557	1	SKIVE	4005337106
50	106162887	1	SCREW M8X22 UNI 5931-8,8	5701715423
51	301002584	1	HUS	4005337107
52	8894	4	SKRUE	4005337088
53		1	NOTE COMMENT	Included in kit 106162572 5701715456
54	3004355	1	O-RING 12.42X1.78 NITRIL 70SH	5701715455
55	106162889	1	O-RING 1,78X12,42 NBR 70	5701715423
56	106162572	1	INJEKTOR BODY KIT	5701715419
57	909100428	1	FJEDER	4005337106
58		1	NOTE COMMENT	Included in kit 106162556 5701715456
59	106162890	1	O-RING 2,4X4,3 NBR 70SH	5701715423
60	106162556	1	CHECK VALVE KIT	5701715419
61	301002586	3	PAKNINGSRING	4005337107
64	301002546	1	PROP	4005337106
65	301002577	1	PLUG	4005337107
66	106162558	1	CHEMICAL COUPLING KIT	5701715419
67		1	NOTE COMMENT	Included in kit 106162558 5701715456
69	106162891	1	BALL	5701715423

Pump 3-36 PE

POSEIDON PE, POSEIDON DE

12-08-2011

StyMiste ID
POS3PE04

9

Pos	Vare nr.	Ant	Beskrivelse	EAN
70	909100427	1	FJEDER	4005337106
71	106162570	1	CYLINDER HEAD Ø 14	5701715419
72	301002546	1	PROP	4005337106
73	101609396	1	NIPPEL MANOMETER	4005337117
74	106162765	1	SHEET METAL PLATE WELDED	4005337140
76	301000246	1	MANOMETER POSEIDON 5	4005337671
77	106162692	1	FILTER HOLDER	4005337117
78	101117926	1	FILTER	4005337177
79	101117993	1	NIPPLE KIT	4005337182
80	106162696	1	NIPPEL	4005337117
81	1801075	1	TÆTNINGSSKIVE 3/8" RG	5701715027
82	1600493	1	LYNKOBLINGSNIPPEL 3/8"	5701715023
83	107140350	1	Thermal dump valve	4005337157
89	2762	4	SKIVE	4005337027
90	61369	1	SLANGESTUDS Ø20X3/4 CUZN	4005337613
92	5206636	1	PVC-SLANGE, KLAR Ø6/Ø10	5701715046
93	301001133	1	SLANGEKLEMME Ø10/7	4005337033
94	6400240	1	FILTER	5701715097
95	1821	1	FITTING	4005337018
96	101814735	1	TÆTN.SKIVE 1/8"PP45C BOND	5701715412
100	301002562	1	KIT VALVE [6X]	4005337106
101	301002561	1	KIT THRUST COLLAR	contains parts for all pistons x 3 4005337106
102	106162881	1	PISTON KIT 14	5701715423
104	106162888	1	VALVE MAINTENANCE KIT	5701715423
106	101814794	2	SCREW M 8X16	4005337165
107	1809920	2	LÅSEMØTRIK M/ NY LONRING RF	5701715115

Pump 5-47 PE

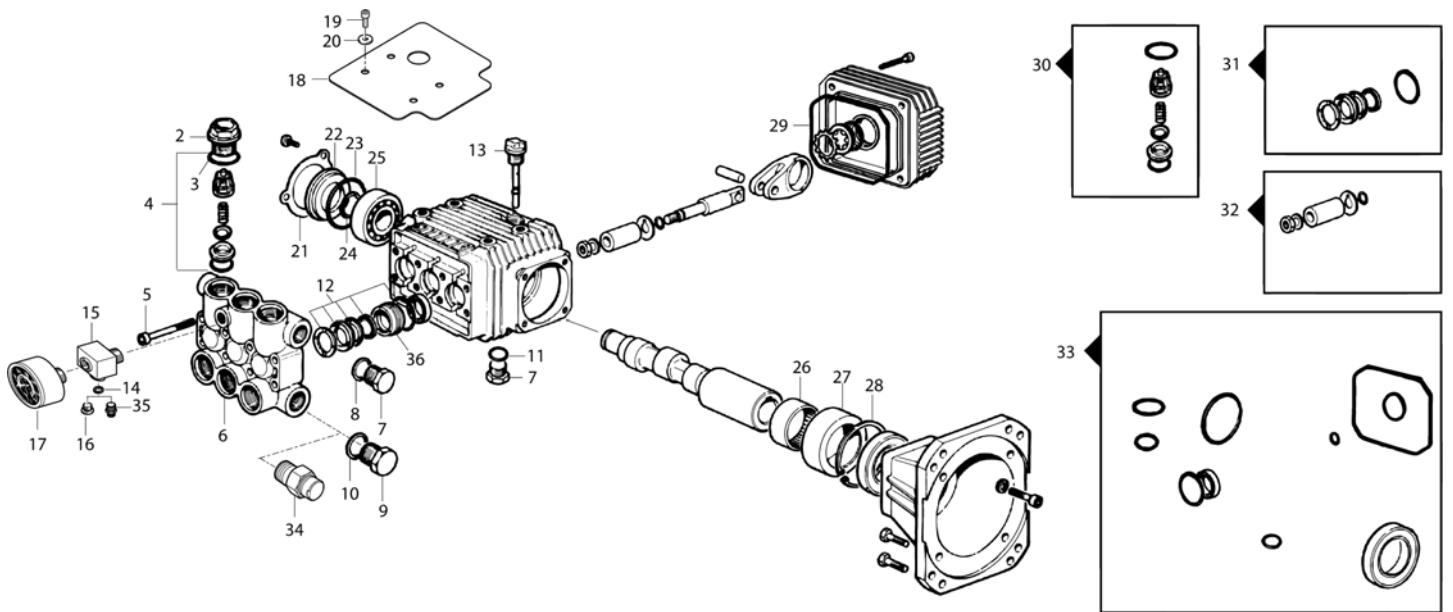
POSEIDON PE, POSEIDON DE

12-08-2011

StyMiste ID

POS5PE02

10



Pump 5-47 PE

POSEIDON PE, POSEIDON DE

12-08-2011

StyMiste ID
POS5PE02

11

Pos	Vare nr.	Ant	Beskrivelse	EAN
1	102202527	1	PUMPE ZWD 3530	4005337166
2	106162566	6	PLUG	5701715419
3	3000825	6	O-RING 20,24X2,62 NITRIL	5701715037
4	106162576	1	VENTIL SÆT	5701715419
5	9543	8	CYLINDER SCREW M8X55 ISO 4762 ST 8.8/ZN	4005337095
6	106162569	1	CYLINDER HEAD Ø 15	5701715419
7	301002572	2	NIPPLE 3/4"	4005337107
8	106162560	1	WASHER 16,7X22X1,5	5701715419
9	106162565	1	PLUG	5701715419
10	106162561	1	WASHER 21,2X27X1,5	5701715419
11	6127016	1	O-RING 2.0 X 14 NBR 70	5701715422
12	106162574	1	PAKNINGSSÆT FOR STEMLER	5701715419
13	106162564	1	OIL LEVEL STICK	5701715419
14	101814735	1	TÆTN.SKIVE 1/8"PP45C BOND	5701715412
15	101609396	1	NIPPEL MANOMETER	4005337117
16	4443	1	PLUG	4005337044
17	301000246	1	MANOMETER POSEIDON 5	4005337671
18	106162725	1	PROTECTIVE PLATE	4005337125
19	8891	4	HEXAGON SOCKET HEAD CAP S	4005337088
20	2762	4	SKIVE	4005337027
21	106162602	1	CRANKCASE COVER	
22	106162588	1	AFSTANDSSTYKKE	
23	106162589	1	O-RING 3,53X44,04	
24	106162590	1	LÅSERING Ø 20	
25	106162591	1	KUGLELEJE, 20X52X15	
26	106162594	1	RULLE 40X47X16	
27	106162593	1	BUSHING	
28	106162592	1	SNAP RING Ø 62	
29	106162603	1	O-RING Ø 2,62X94,93	
30	106162576	1	VENTIL SÆT	5701715419
31	106162574	1	PAKNINGSSÆT FOR STEMLER	5701715419
32	106162595	1	STEMPELSÆT (3 STK.)	
33	106162596	1	PAKNINGSSÆT	
34	107140350	1	Thermal dump valve	XT 4005337157
35	1821	1	FITTING	4005337018
36	31000345	1	BACK RING 15 MM 3 PCS	5715492083

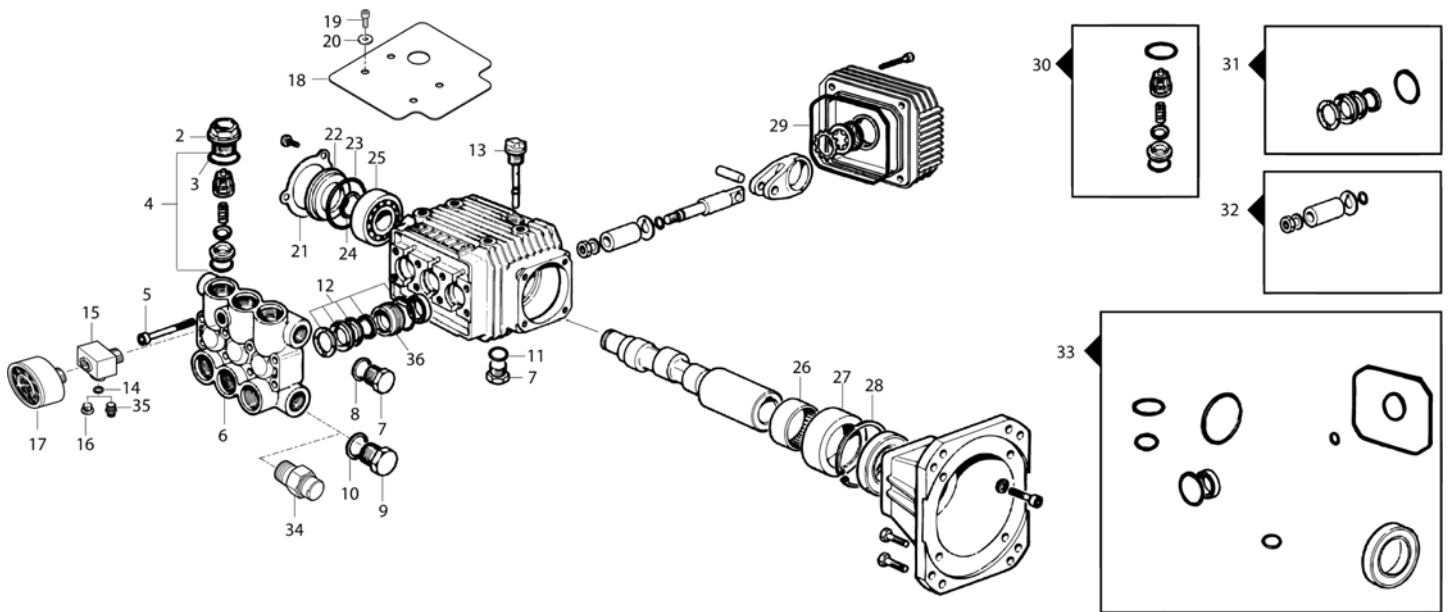
Pump 5-53 PE

POSEIDON PE, POSEIDON DE

12-08-2011

StyMiste ID
POS5PE04

12



Pump 5-53 PE

POSEIDON PE, POSEIDON DE

12-08-2011

StyMiste ID
POS5PE04

13

Pos	Vare nr.	Ant	Beskrivelse	EAN
1	102202528	1	Pump ZWD 4030	4005337117
2	106162566	6	PLUG	5701715419
3	3000825	6	O-RING 20,24X2,62 NITRIL	5701715037
4	106162576	1	VENTIL SÆT	5701715419
5	9543	8	CYLINDER SCREW M8X55 ISO 4762 ST 8.8/ZN	4005337095
6	106162569	1	CYLINDER HEAD Ø 15	5701715419
7	301002572	2	NIPPLE 3/4"	4005337107
8	106162560	1	WASHER 16,7X22X1,5	5701715419
9	106162565	1	PLUG	5701715419
10	106162561	1	WASHER 21,2X27X1,5	5701715419
11	6127016	1	O-RING 2.0 X 14 NBR 70	5701715422
12	106162574	1	PAKNINGSSÆT FOR STEMLER	5701715419
13	106162564	1	OIL LEVEL STICK	5701715419
14	101814735	1	TÆTN.SKIVE 1/8"PP45C BOND	5701715412
15	101609396	1	NIPPEL MANOMETER	4005337117
16	4443	1	PLUG	4005337044
17	301000246	1	MANOMETER POSEIDON 5	4005337671
18	106162725	1	PROTECTIVE PLATE	4005337125
19	8891	4	HEXAGON SOCKET HEAD CAP S	4005337088
20	2762	4	SKIVE	4005337027
21	106162602	1	CRANKCASE COVER	
22	106162588	1	AFSTANDSSTYKKE	
23	106162589	1	O-RING 3,53X44,04	
24	106162590	1	LÅSERING Ø 20	
25	106162591	1	KUGLELEJE, 20X52X15	
26	106162594	1	RULLE 40X47X16	
27	106162593	1	BUSHING	
28	106162592	1	SNAP RING Ø 62	
29	106162603	1	O-RING Ø 2,62X94,93	
30	106162576	1	VENTIL SÆT	5701715419
31	106162574	1	PAKNINGSSÆT FOR STEMLER	5701715419
32	106162595	1	STEMPELSÆT (3 STK.)	
33	106162596	1	PAKNINGSSÆT	
34	107140350	1	Thermal dump valve	XT 4005337157
35	1821	1	FITTING	4005337018
36	31000345	1	BACK RING 15 MM 3 PCS	5715492083

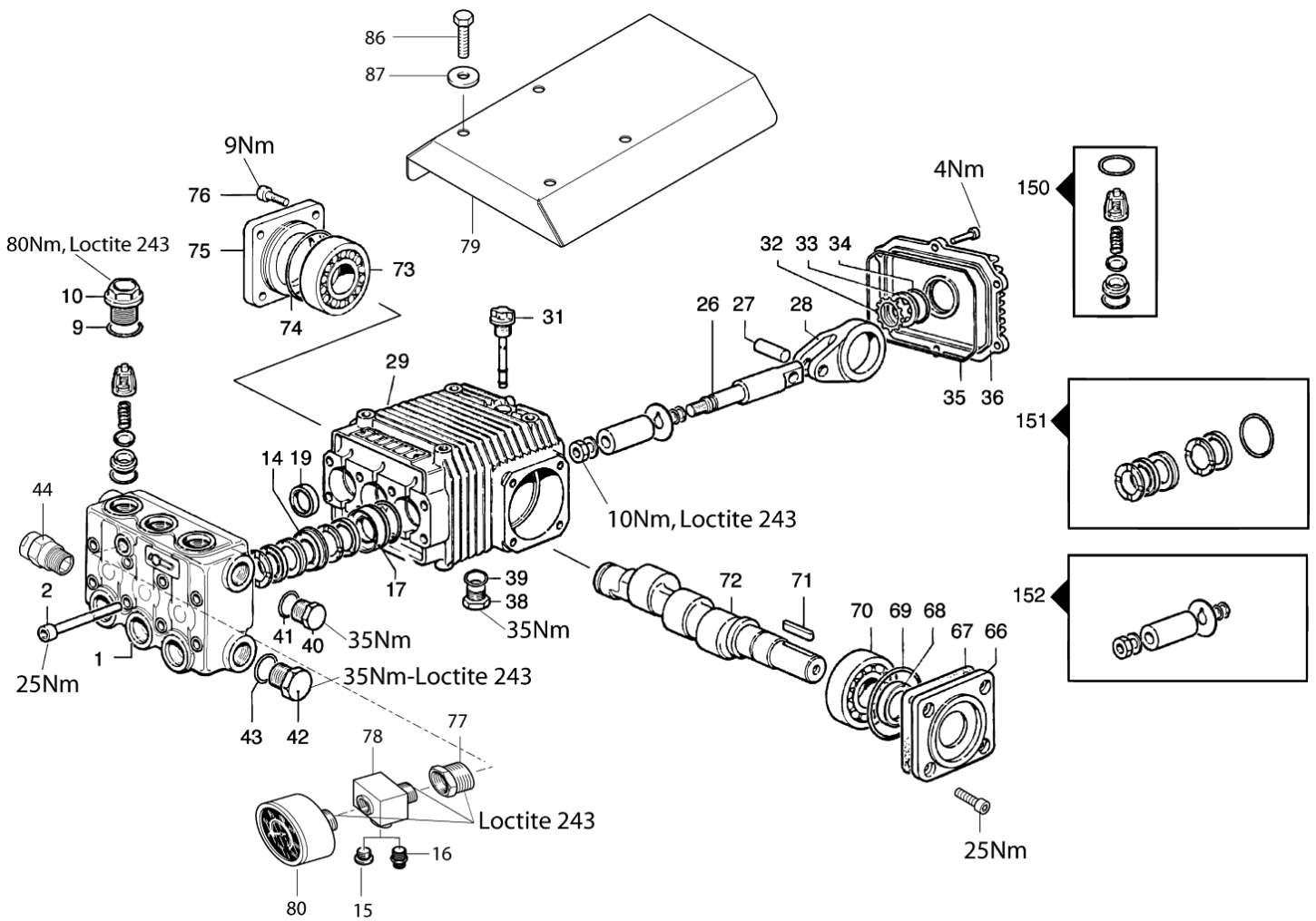
Pump 5-67 PE

POSEIDON PE, POSEIDON DE

12-08-2011

StyMiste ID
POS5PE06

14



Pump 5-67 PE

POSEIDON PE, POSEIDON DE

12-08-2011

StyMiste ID
POS5PE06

15

Pos	Vare nr.	Ant	Beskrivelse	EAN
-	102202529	1	PUMP HW 4540	4005337117
1	106162568	1	CYLINDER HEAD Ø18	5701715419
2	106162573	8	SCREW M8X80 UNI 5931 8.8	5701715419
9	3000825	6	O-RING 20,24X2,62 NITRIL	5701715037
10	106162566	6	PLUG	5701715419
14	106162851	3	PACKING RETAINER Ø18	5701715422
15	4443	1	PLUG	4005337044
16	1821	1	FITTING	4005337018
17	106162852	3	PACKING RETAINER Ø18	5701715423
19	106162853	3	OLIEMANCHET	5701715423
26	106162855	3	STEMPELSTANG	5701715423
27	106162856	3	GUDGEON PIN 10X29	5701715423
28	106162857	3	CON. ROD ASSEMBLY	5701715423
29	106162858	1	PUMP CRANKCASE	5701715423
31	106162564	1	OIL LEVEL STICK	5701715419
32	106162587	1	OUTER SEEGER Ø 28	
33	106162860	1	OIL INDICATOR	5701715423
34	106162861	1	O-RING 1,78X23,52 NBR 70	5701715423
35	106162862	1	O-RING 3X108 NBR 70SH	5701715423
36	106162859	1	CRANKCASE COVER	5701715423
			Kit Pos. 32, 33, 34 and 35 for pos. 36	
38	301002577	1	PLUG	4005337107
39	6127016	1	O-RING 2.0 X 14 NBR 70	5701715422
40	301002577	1	PLUG	4005337107
41	106162560	1	WASHER 16,7X22X1,5	5701715419
42	106162565	1	PLUG	5701715419
43	106162561	1	WASHER 21,2X27X1,5	5701715419
44	107140350	1	Thermal dump valve	XT 4005337157
66	106162863	1	FLANGE	5701715423
67	106162864	1	SHIM 62 - 0,05MM	5701715423
67	106162865	1	SHIM 62 - 0,10MM	5701715423
67	106162866	1	SHIM 62 - 0,19MM	5701715423
67	106162867	1	SHIM 62 - 0,25MM	5701715423
68	106162868	1	OIL SEAL 25X52X7	5701715423
69	106162869	1	O-RING 1,78X56,87 NBR 70	5701715423
70	106162870	1	ROLLER BEARING 25X62X18,2	5701715423
71	106162871	1	KEY 8X7X30 UNI 6604-6	5701715423
72	106162872	1	THROUGH SHAFT 24	5701715423
73	106162873	1	ROLLER BEARING 25X62X18,2	5701715423
74	106162869	1	O-RING 1,78X56,87 NBR 70	5701715423
75	106162874	1	FLANGE	5701715423
76	106162875	4	SCREW M6X20 UNI 5931 - 8.	5701715423
77	1601046	1	NIPPELMUFFE 1/4X1/8	5701715024

Pump 5-67 PE

POSEIDON PE, POSEIDON DE

12-08-2011

StyMiste ID
POS5PE06

16

Pos	Vare nr.	Ant	Beskrivelse	EAN
78	101609396	1	NIPPEL MANOMETER	4005337117
79	106162751	1	KABINET	4005337125
80	301000246	1	MANOMETER POSEIDON 5	4005337671
86	1802115	4	SKRUE M8X40	5701715027
87	2762	4	SKIVE	4005337027
150	106162576	1	VENTIL SÆT	5701715419
151	106162575	1	PAKNINGSSÆT	5701715419
152	106162854	1	STEMPEL SÆT	5701715423

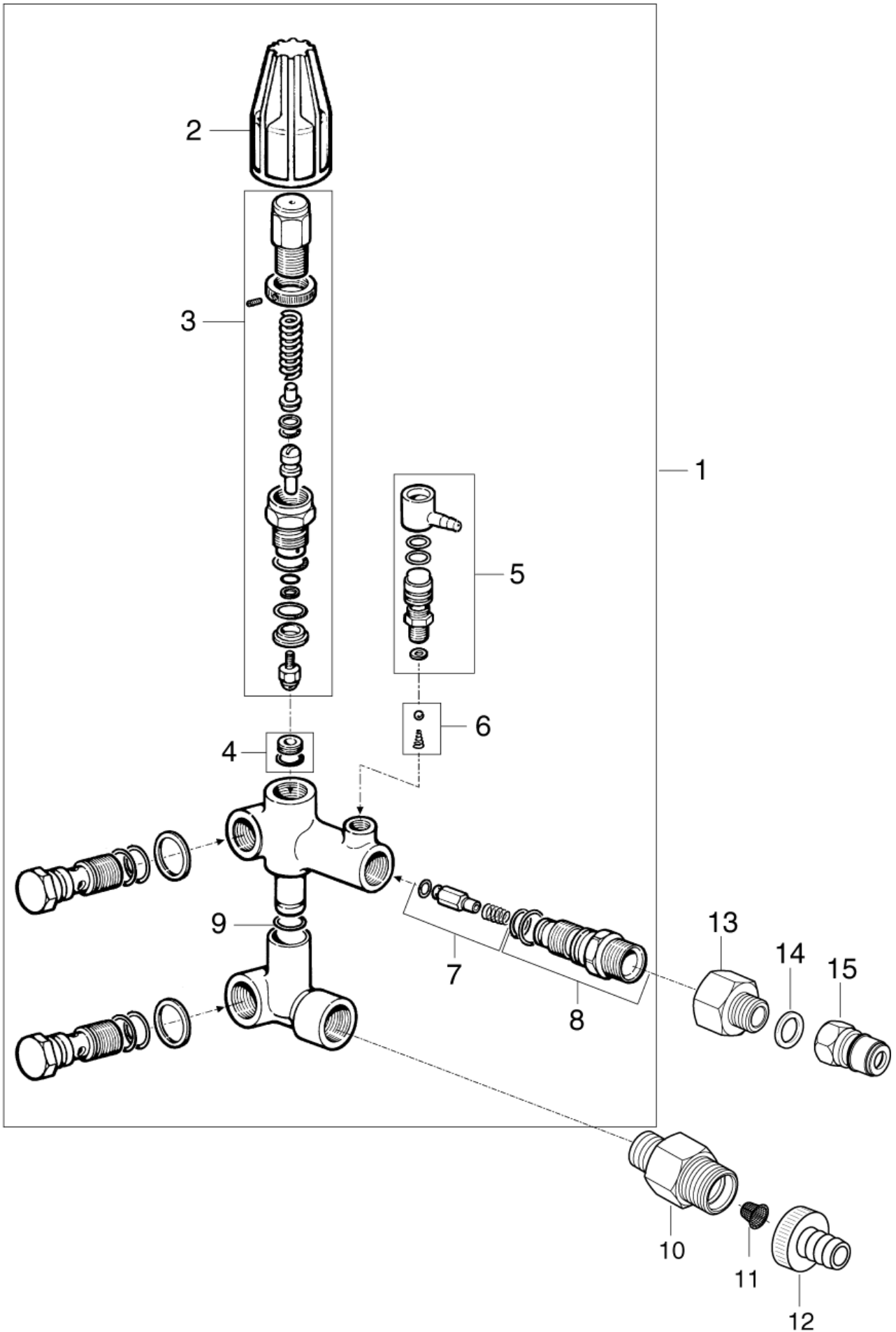
Unloader 5-47, 5-53 PE

POSEIDON PE, POSEIDON DE

12-08-2011

StyMiste ID
POS5PE08

17



Unloader 5-47, 5-53 PE

POSEIDON PE, POSEIDON DE

12-08-2011

StyMiste ID
POS5PE08

18

Pos	Vare nr.	Ant	Beskrivelse	EAN
1	106162706	1	OMLØBSVENTIL	4005337117
2	106162583	1	GREB	5701715419
3	106162553	1	REGULERINGSVENTIL	5701715419
4	106162562	1	VENTILSÆDESÆT	5701715419
5	301002547	1	VALVE	4005337106
6	3000825	1	O-RING 20,24X2,62 NITRIL	5701715037
7	106162557	1	KONTRAVENTIL	5701715419
8	106162559	1	INJEKTOR-SÆT	5701715419
9	106162551	1	O-RING	5701715419
10	106162692	1	FILTER HOLDER	4005337117
11	101117926	1	FILTER	4005337177
12	61369	1	SLANGESTUDS Ø20X3/4 CUZN	4005337613
13	106162696	1	NIPPEL	4005337117
14	1801075	1	TÆTNINGSSKIVE 3/8" RG	5701715027
15	1600493	1	LYNKOBLINGSNIPPEL 3/8"	5701715023

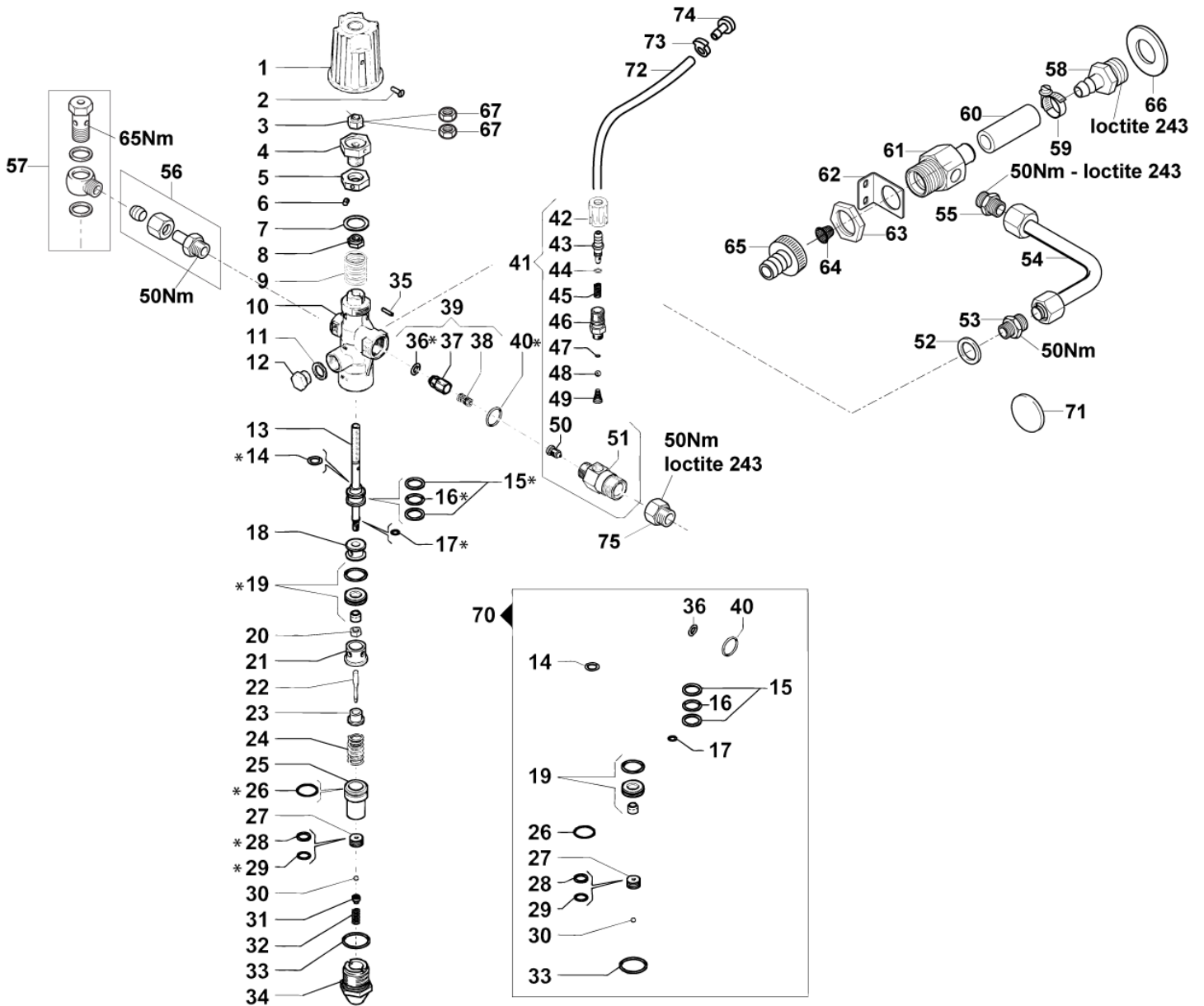
Unloader 5-67 PE

POSEIDON PE, POSEIDON DE

12-08-2011

StyMiste ID
POS5PE10

19



Unloader 5-67 PE

POSEIDON PE, POSEIDON DE

12-08-2011

StyMiste ID
POS5PE10

20

Pos	Vare nr.	Ant	Beskrivelse	EAN
-	106162707	1	UNLOADER VB 10/2	4005337117
1	106162579	1	VALVE REGULATING KNOB	5701715419
2	106163000	1	SCREW M4X10 UNI 7687-4.8	5701715423
3	106163001	1	NUT M8X9,5 DIN 982-6S	5701715423
4	106163002	1	SEAT	5701715423
5	106163003	1	RING NUT M16X1	5701715423
6	106163004	1	STOP ADJUSTABLE NUT M5X6	5701715423
7	106163005	1	WASHER 19X26X1,5	5701715423
8	106163006	1	RING NUT M8X1,25	5701715423
9	106163007	1	SPRING 4,2X23,2X31	5701715423
10	106163008	1	BODY	5701715423
11	106163009	1	WASHER 16,7X22X1,5	5701715423
12	106163010	1	PLUG G3/8	5701715423
13	106163011	1	STEMPEL	5701715423
14	106163012	1	O-RING 2,62X15,08	INCL. IN KIT 106162578 5701715423
15	106163013	1	RING 15,Z19,9X2	INCL. IN KIT 106162578 5701715423
16	106163014	1	O-RING 2,6X15,08	INCL. IN KIT 106162578 5701715423
17	106163015	1	O-RING 1X4	INCL. IN KIT 106162578 5701715423
18	106163016	1	SPACER	5701715423
19	106163017	1	VALVE SEAT	INCL. IN KIT 106162578 5701715423
20	106163018	1	NUT M6	5701715423
21	106163019	1	UPPER SPACER	5701715423
22	106163020	1	STIFT	5701715423
23	106163021	1	LOWER SPACER	5701715423
24	106163022	1	SPRING 2,5X10,1X25	5701715423
25	106163023	1	SEAT SUPPORT 1,78X11,11	5701715423
26	106163024	1	O-RING 1.78X20.35 NBR 70SH	INCL. IN KIT 106162578 5701715423
27	106163025	1	SÆDE 5X13,9X7	5701715423
28	106163026	1	RING	INCL. IN KIT 106162578 5701715423
29	106163027	1	O-RING 1.78 X 10.85 X VB 10/2 NITRIL 85	INCL. IN KIT 106162578 5701715423
30	106163028	1	BALL	INCL. IN KIT 106162578 5701715423
31	106163029	1	KUGLE	5701715423
32	106163030	1	SPRING	5701715423
33	106163031	1	O-RING 1,78X10,85	INCL. IN KIT 106162578 5701715423
34	106163032	1	PLUG	5701715423
35	106163033	1	ELASTIC PIN Ø 3X14	5701715423
36	106163034	1	O-RING 3X6 NBR 70SH	INCL. IN KIT 106162578 5701715423
37	106163035	1	VENTIL	5701715423
38	106163036	1	FJEDER	5701715423
39	106163037	1	REGULATION VALVE	5701715423
40	106163038	1	O-RING 1.78X18.77 NBR 70SH	INCL. IN KIT 106162578 5701715423
41	106163039	1	INJEKTORDYSE-SÆT	5701715423

Unloader 5-67 PE

POSEIDON PE, POSEIDON DE

12-08-2011

StyMiste ID

POS5PE10

21

Pos	Vare nr.	Ant	Beskrivelse	EAN
42	106163040	1	DETERGENT REG. KNOB	5701715423
43	106163041	1	COUPLING	5701715423
44	106163042	1	O-RING 1,78X4,48	5701715423
45	106163043	1	SPRING	5701715423
46	106163044	1	COUPLING	5701715423
47	106163045	1	VITON O-RING 1,78X5,28	5701715423
48	106163046	1	BALL	5701715423
49	106163047	1	SPRING	5701715423
50	106163048	1	INJECTOR NOZZLE	5701715423
51	106163049	1	COUPLING	5701715423
52	1801075	1	TÆTNINGSSKIVE 3/8" RG	5701715027
53	1601079	1	LIGEFORSKRUNING	5701715024
54	106162694	1	Pipe for by-pass	4005337117
55	4800092	1	LIGE STUDS	4005337132
56	6220554	1	SKÆRERINGSFORSKRUNING	5701715084
57	101609397	1	Banjo compl.	4005337116
58	101609359	1	HOSE TAIL 1/2 INCH.X16MM	5701715329
59	8298	2	SPÆNDEBÅND	4005337082
60	5206230	1	SLANGE	4005337171
61	106162695	1	FILTERHOUSING	4005337117
62	106162759	1	ANGLE FOR FILTER	4005337124
63	1800341	1	KONTRAMØTRIK 3/4"	5701715026
64	101117926	1	FILTER	4005337177
65	61369	1	SLANGESTUDS Ø20X3/4 CUZN	4005337613
66	1807932	1	SELVTÆTTENDE SPÆNDESKIVE	5701715030
67	103821943	2	NUT HEX M8 - 8.8 A2K DIN439B	5701715474
70	106162578	1	DISCHARGER KIT	5701715419
71	106162740	1	COPPER WASHER Ø14.5X2	5701715422
72	5206636	1	PVC-SLANGE, KLAR Ø6/Ø10	5701715046
73	301001133	1	SLANGEKLEMME Ø10/7	4005337033
74	6400240	1	FILTER	5701715097
75	106162758	1	NIPPLE 3/8-3/8	4005337124

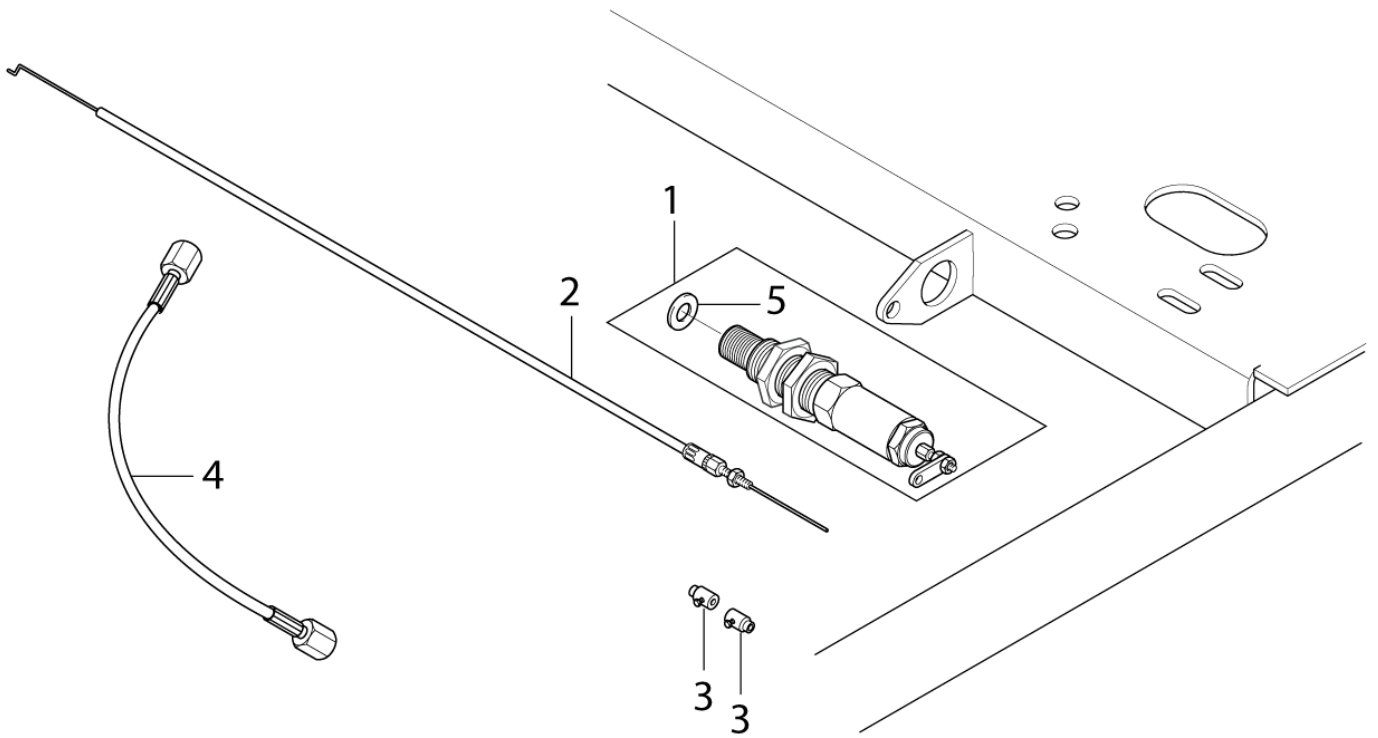
Throttle controller - PE XT

POSEIDON PE, POSEIDON DE

12-08-2011

StyMiste ID POSPE06

22



Throttle controller - PE XT

POSEIDON PE, POSEIDON DE

12-08-2011

StyMiste ID

POSPE06

23

Pos	Vare nr.	Ant	Beskrivelse	EAN
-	106162705	1	AUTOMATIC THROTTLE CONTR.	5701715420
1	101118034	1	THROTTLE CONTROL AND COPP ER WASHER KIT	4005337184
2	103822152	1	KABEL	5701715421
3	101814765	2	NUT	5701715421
4	102406660	1	PRESSURE HOSE	5701715422
5	3000098	1	KOBBERSKIVE Ø12XØ8X1	5701715037

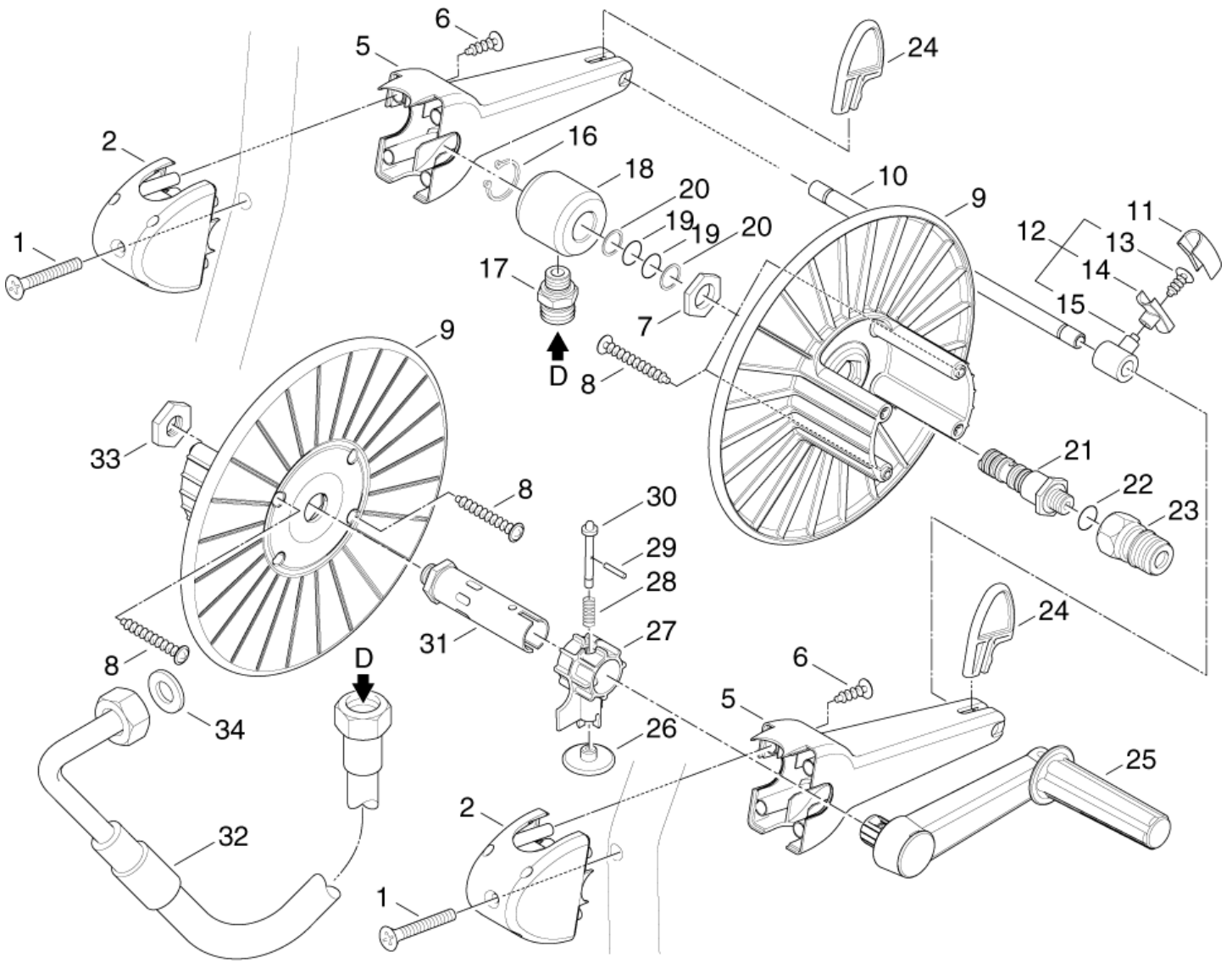
Hose reel - PE XT

POSEIDON PE, POSEIDON DE

12-08-2011

StyMiste ID
POSPE08

24



Hose reel - PE XT

POSEIDON PE, POSEIDON DE

12-08-2011

StyMiste ID
POSPE08

25

Pos	Vare nr.	Ant	Beskrivelse	EAN
1	909100154	2	SKRUE M6X65	4005337033
2	301000809	2	HOLDER	4005337024
5	301000929	2	HOLDER	4005337025
6	1814641	4	SKRUE	5701715268
7	62696	1	MØTRIK	4005337626
8	909100153	4	EJOT-SKRUE K60X40	4005337032
9	301000775	2	SLANGERULLE HALVDEL	4005337024
10	107140355	1	RØR FOR SLANGERULLE	4005337157
11	301000674	1	SLANGEFØRING OVERDEL	4005337021
12	301000780	1	SLANGEFØRING FORMONTERET	4005337022
13	10028	1	SKRUE	4005337100
14	301000676	1	SLANGEFØRING UNDERDEL	4005337021
15	301000672	1	SLANGEFØRING - GLIDER	4005337021
16	32524	1	SIKRINGSRING	4005337325
17	54590	1	FORSKRUNING	4005337545
18	301000977	1	LEJEBØSNING	4005337026
19	19620	2	O-RING	4005337196
20	63792	2	BACK-UP RING	4005337637
21	301000976	1	BANJO BOLG G3/8"	4005337026
22	1801075	1	TÆTNINGSSKIVE 3/8" RG	5701715027
23	1600493	1	LYNKOBLINGSNIPPEL 3/8"	5701715023
24	301000927	2	HOLDER	4005337025
25	301000733	1	DREJEHÅNDTAG	4005337022
26	301001008	1	ANKERPLADE	4005337028
27	301001010	1	HUS	4005337028
28	909100151	1	TRYKFJEDER	4005337028
29	16067	1	STIFT	4005337160
30	301001009	1	INDEXING BOLT 1/2X60	4005337028
31	301001007	1	AKSEL Ø28X112	4005337028
32	301001092	1	HØJTRYKSSLANGE Ø8X1175	4005337031
33	909100145	1	MØTRIK 6KT-G3/8"	4005337026
34	65466	1	PACKING RING 8X15X1	4005337654

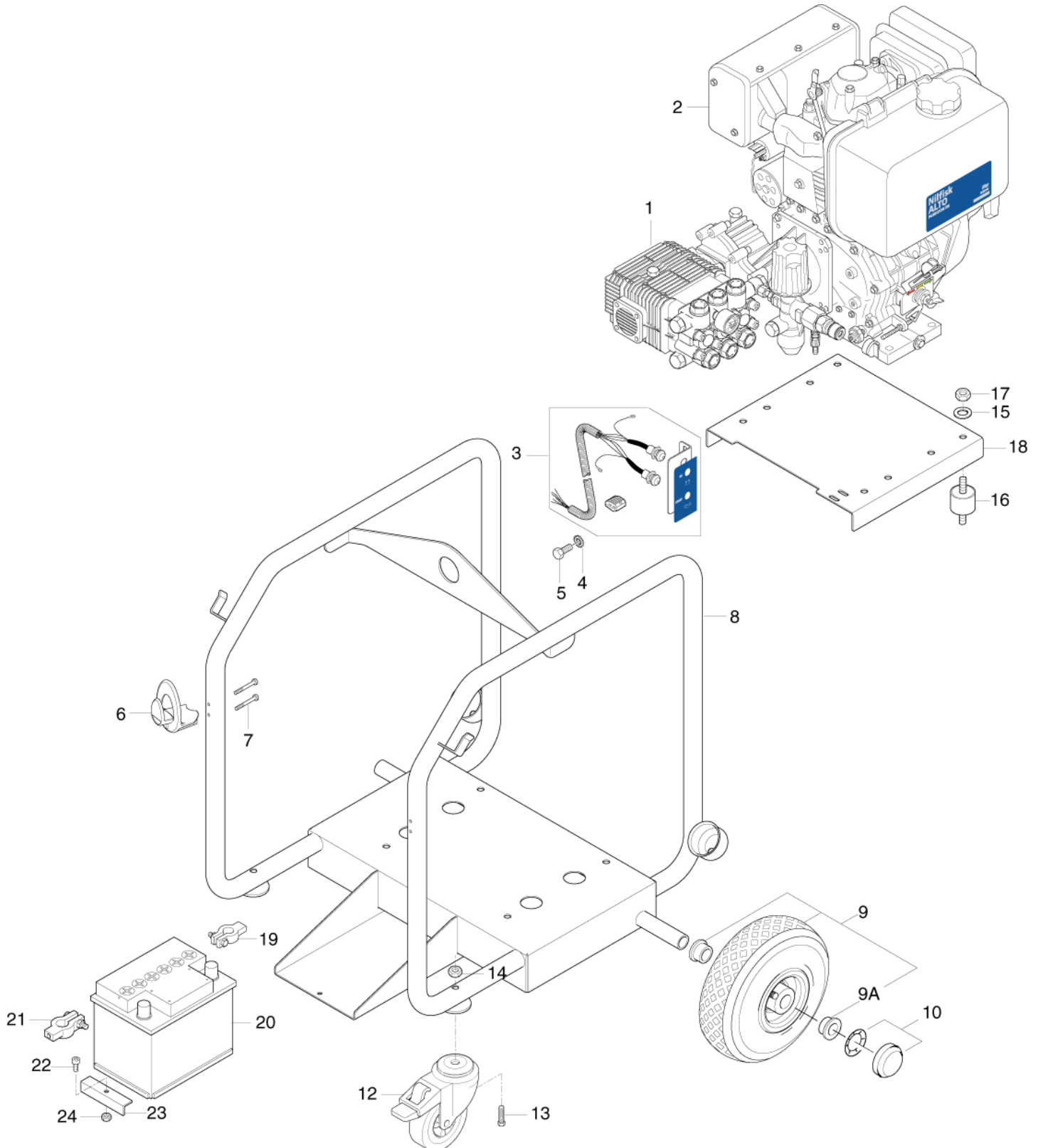
Chassis and motor POSEIDON DE

POSEIDON PE, POSEIDON DE

12-08-2011

StyMiste ID
POS5DE02

26



Chassis and motor POSEIDON DE

POSEIDON PE, POSEIDON DE

12-08-2011

StyMiste ID

POS5DE02

27

Pos	Vare nr.	Ant	Beskrivelse	EAN
1	102202535	1	PUMP 5-54	4005337134
2	103822188	1	L100N6CJ1FJAS5 YANMAR MOTOR	4005337134
3	106162520	1	EL-STYRING	5701715422
4	1801182	2	FJEDERSKIVE M8	5701715027
5	1800150	2	SÆTSKRUE M8X30	5701715026
6	301000808	2	HOLDER	4005337024
7	909100149	4	SKRUE 5x50	4005337026
8	106162733	1	FRAME	4005337134
9	102013555	2	HJUL	4005337134
10	2004265	2	NAV KAPSEL KOMP. Ø25	5701715031
12	102013563	2	WHEEL	4005337134
14	1801257	2	LÅSEMØTRIK M10	5701715027
15	1800317	4	UNDERLAGSSKIVE ENCORE 26/28/30	5701715026
16	1801240	4	VIBRATIONSDÆMPER Ø40	5701715027
17	1801257	4	LÅSEMØTRIK M10	5701715027
18	106162731	1	MOTOR PLATE	4005337134
19	103821955	1	BATTERY TERMINAL PLUS POLE	5701715422
20	3804523	1	AKKUMULATOR 12V	5701715007
21	103821956	1	BATTERY TERMINAL -NEGATIVE	5701715422
22	2806	1	SKRUE M6X25	4005337028
23	4808991	1	BATTERY HOLDER	5701715422
24	1805399	1	LÅSEMØTRIK M/ NY LONRING M6	5701715029
9A	106522529	4	BUSHING	5715492048

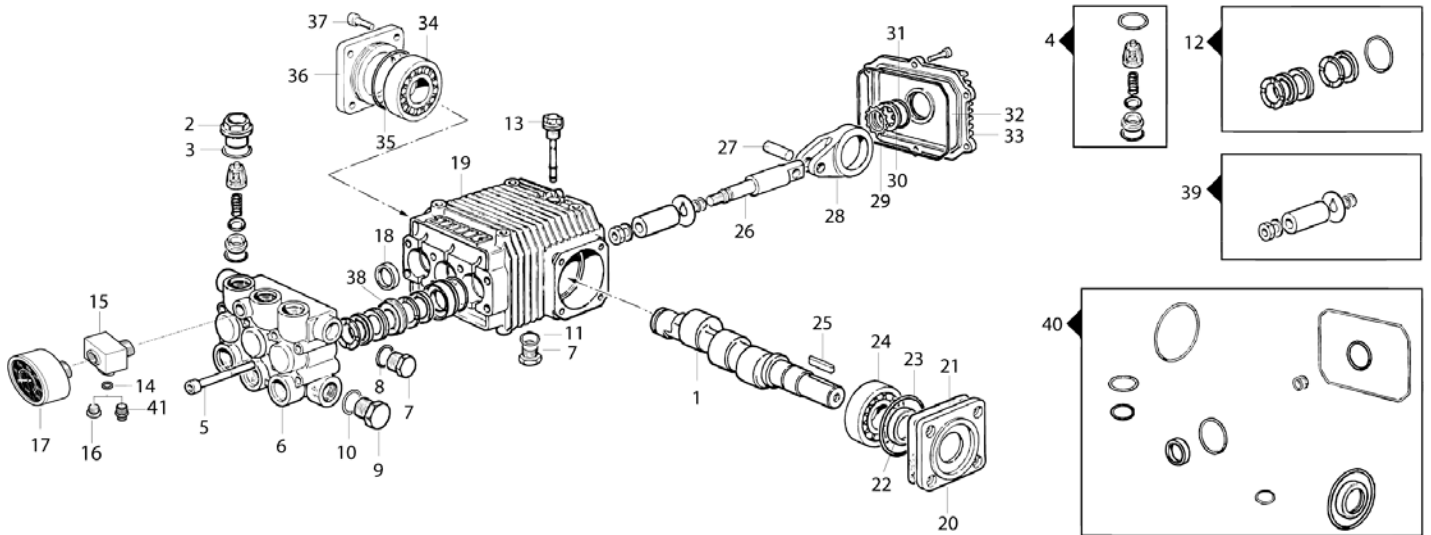
Pump 5-54 DE

POSEIDON PE, POSEIDON DE

12-08-2011

StyMiste ID
POS5DE04

28



Pump 5-54 DE

POSEIDON PE, POSEIDON DE

12-08-2011

StyMiste ID
POS5DE04

29

Pos	Vare nr.	Ant	Beskrivelse	EAN
0	102202535	1	PUMP 5-54	4005337134
1	31000100	1	Crankshaft P5-54DE	
2	106162566	6	PLUG	5701715419
3	3000825	6	O-RING 20,24X2,62 NITRIL	5701715037
4	106162576	1	VENTIL SÆT	5701715419
5	106162581	8	SCREW M8X70	5701715419
6	106162580	1	CYLINDER HEAD Ø 18	5701715419
7	301002572	2	NIPPLE 3/4"	4005337107
8	106162560	1	WASHER 16,7X22X1,5	5701715419
9	106162565	1	PLUG	5701715419
10	106162561	1	WASHER 21,2X27X1,5	5701715419
11	6127016	1	O-RING 2.0 X 14 NBR 70	5701715422
12	106162582	1	PAKNINGSSÆT	5701715419
13	106162564	1	OIL LEVEL STICK	5701715419
14	101814735	1	TÆTN.SKIVE 1/8"PP45C BOND	5701715412
15	101609396	1	NIPPEL MANOMETER	4005337117
16	4443	1	PLUG	4005337044
17	301000246	1	MANOMETER POSEIDON 5	4005337671
18	106162853	3	OLIEMANCHET	5701715423
19	106162858	1	PUMP CRANKCASE	5701715423
20	106162863	1	FLANGE	5701715423
21	106162864	1	SHIM 62 - 0,05MM	5701715423
21	106162865	1	SHIM 62 - 0,10MM	5701715423
21	106162866	1	SHIM 62 - 0,19MM	5701715423
21	106162867	1	SHIM 62 - 0,25MM	5701715423
22	106162868	1	OIL SEAL 25X52X7	5701715423
23	106162869	1	O-RING 1,78X56,87 NBR 70	5701715423
24	106162870	1	ROLLER BEARING 25X62X18,2	5701715423
25	106162871	1	KEY 8X7X30 UNI 6604-6	5701715423
26	106162855	1	STEMPELSTANG	5701715423
27	106162856	1	GUDGEON PIN 10X29	5701715423
28	106162857	1	CON. ROD ASSEMBLY	5701715423
29	106162587	1	OUTER SEEGER Ø 28	
30	106162860	1	OIL INDICATOR	5701715423
31	106162861	1	O-RING 1,78X23,52 NBR 70	5701715423
32	106162862	1	O-RING 3X108 NBR 70SH	5701715423
33	106162601	1	CRANKCASE COVER	5701715456
34	106162870	1	ROLLER BEARING 25X62X18,2	5701715423
35	106162869	1	O-RING 1,78X56,87 NBR 70	5701715423
36	106162874	1	FLANGE	5701715423
37	106162875	1	SCREW M6X20 UNI 5931 - 8.	5701715423
38	31000102	1	TRUST COLLAR KIT	(3 pcs.)

Pump 5-54 DE

POSEIDON PE, POSEIDON DE

12-08-2011

StyMiste ID

POS5DE04

30

Pos	Vare nr.	Ant	Beskrivelse	EAN
39	106162854	1	STEMPEL SÆT	5701715423
40	106162604	1	O-RING SÆT	5701715456
41	1821	1	FITTING	4005337018

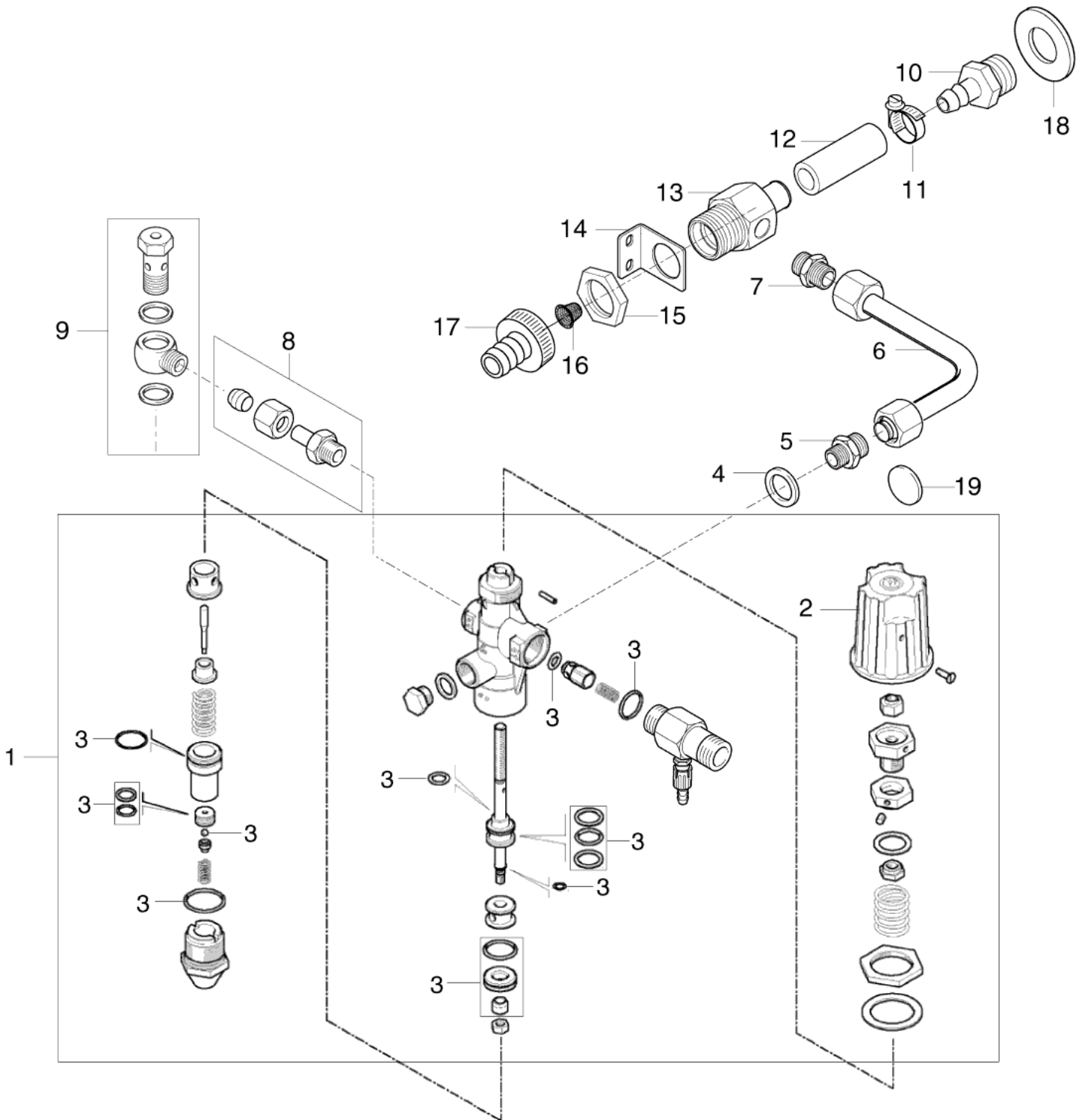
Unloader 5-54 DE

POSEIDON PE, POSEIDON DE

12-08-2011

StyMiste ID
POS5DE10

31



Unloader 5-54 DE

POSEIDON PE, POSEIDON DE

12-08-2011

StyMiste ID

POS5DE10

32

Pos	Vare nr.	Ant	Beskrivelse	EAN
0	106162707	1	UNLOADER VB 10/2	4005337117
2	106162579	1	VALVE REGULATING KNOB	5701715419
3	106162578	1	DISCHARGER KIT	5701715419
4	1801075	1	TÆTNINGSSKIVE 3/8" RG	5701715027
5	1601079	1	LIGEFORSKRUNING	5701715024
6	106162737	1	TUPE COMPL.	4005337134
7	1603077	1	LIGEFORSKRUNING Ø12X1/4"	5701715024
8	6220554	1	SKÆRERINGSFORSKRUNING	5701715084
9	101609397	1	Banjo compl.	4005337116
10	101609359	1	HOSE TAIL 1/2 INCH.X16MM	5701715329
11	8298	1	SPÆNDEBÅND	4005337082
12	5206230	1	SLANGE	4005337171
13	106162695	1	FILTERHOUSING	4005337117
14	106162688	1	SUPPORT	4005337117
15	1800341	1	KONTRAMØTRIK 3/4"	5701715026
16	101117926	1	FILTER	4005337177
17	61369	1	SLANGESTUDS Ø20X3/4 CUZN	4005337613
18	1807932	1	SELVTÆTTENDE SPÆNDESKIVE	5701715030
19	106162740	1	COPPER WASHER Ø14.5X2	5701715422

Only for by-pass accessory

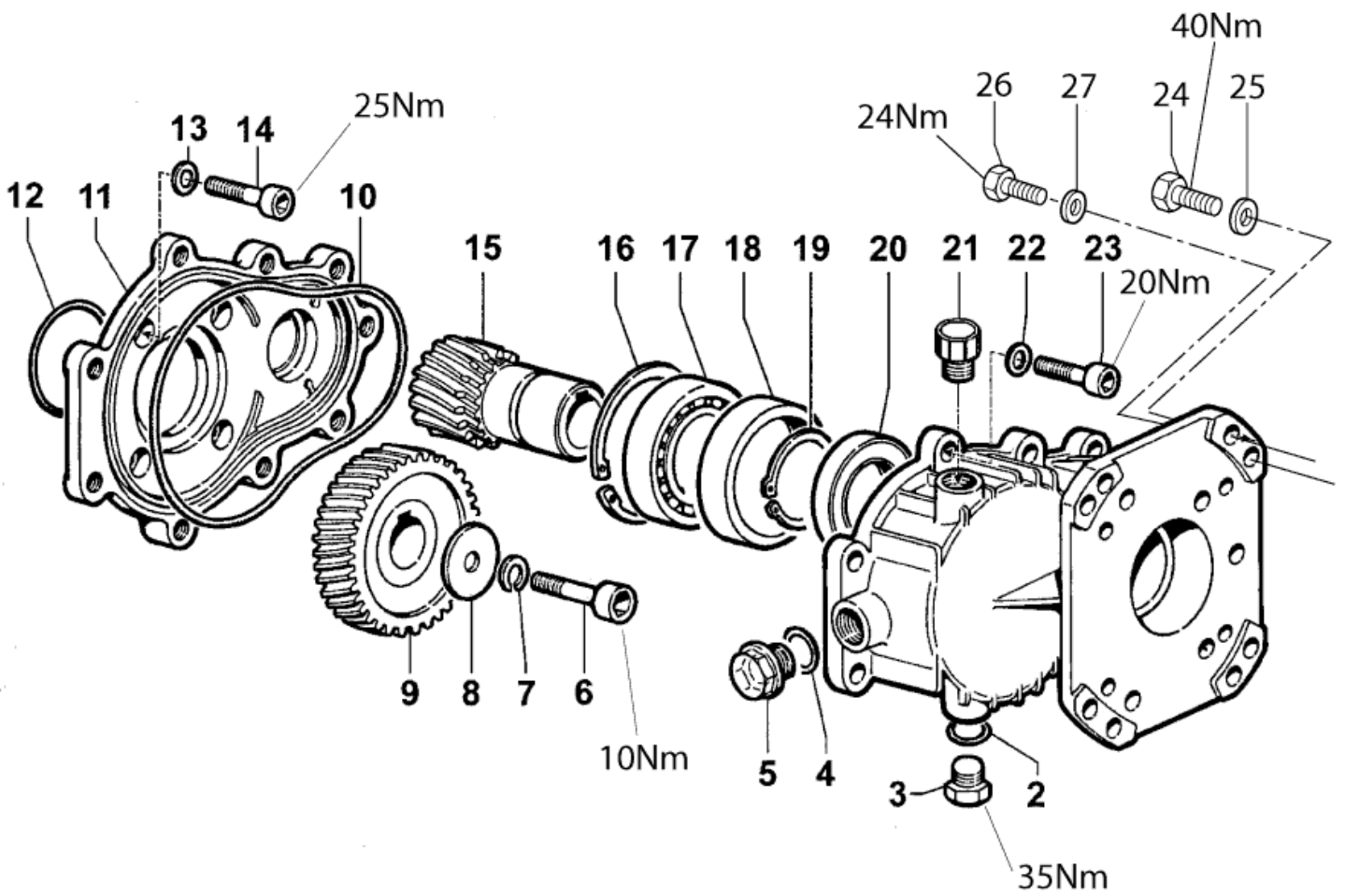
Gearbox

POSEIDON PE, POSEIDON DE

12-08-2011

StyMiste ID
POS5PE11

33



Gearbox

POSEIDON PE, POSEIDON DE

12-08-2011

StyMiste ID
POS5PE11

34

Pos	Vare nr.	Ant	Beskrivelse	EAN
2	106162800	1	O-RING	5701715422
3	301002577	1	PLUG	4005337107
4	106162801	1	O-RING 2.9 X 13.8 NBR 70	5701715422
5	106162802	1	OIL LEVEL INDICATOR	5701715422
6	106162803	1	SCREW	5701715422
7	106162804	1	SPECIAL WASHER	5701715422
8	106162805	1	WASHER	5701715422
9	106162806	1	EXTERNAL GEAR	5701715422
10	106162807	1	O-RING 2.62 X 152.07 NBR 70	5701715422
11	106162808	1	FLANGE	
12	106162809	1	O-RING 2.62 X55.25 NBR 70	5701715422
13	106162810	4	WASHER WITH SEALS	5701715422
14	106162811	4	SCREW	5701715422
15	106162812	1	PINION	5701715422
16	106162813	1	INNER SEEGER	5701715422
17	106162814	1	BALL BEARING	5701715422
18	106162815	1	SPACER	5701715422
19	106162816	1	OUTER SEEGER	5701715422
20	106162817	1	OIL SEAL	5701715422
21	106162818	1	OIL CAP	5701715422
22	106162819	9	WASHER	5701715422
23	106162820	9	SCREW	5701715422
24	101814767	4	SKRUE 3/8X1	4005337132
25	1800317	4	UNDERLAGSSKIVE ENCORE 26/28/30	5701715026
27	2762	4	SKIVE	4005337027
1-	106162821	1	GEARBOX COMPLETE	5701715422

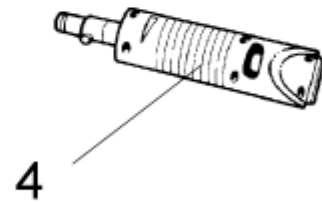
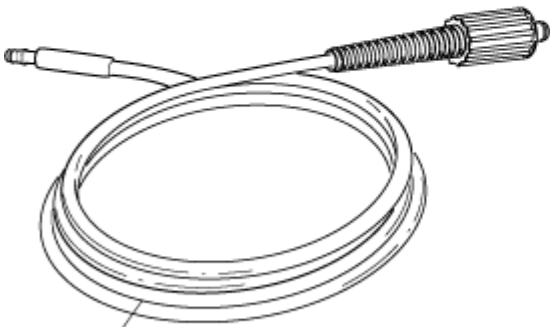
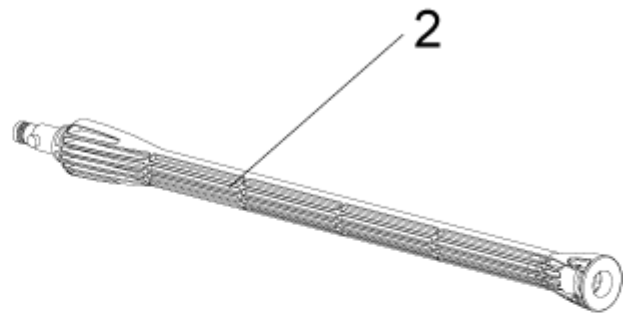
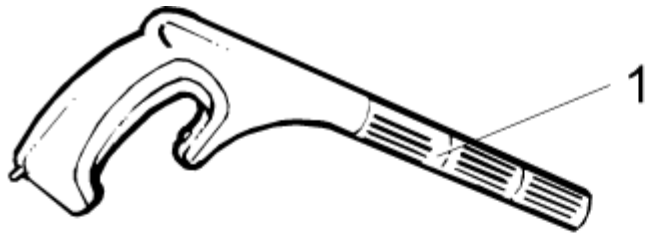
Default accessories 2-31 PE BASIC (GC160)

POSEIDON PE, POSEIDON DE

12-08-2011

StyMiste ID
POS2PE06

35



Default accessories 2-31 PE BASIC (GC160)

POSEIDON PE, POSEIDON DE

12-08-2011

StyMiste ID

POS2PE06

36

Pos	Vare nr.	Ant	Beskrivelse	EAN
1	6526203	1	SPULEHÅNDTAG KOMP.PRO/DYN	5701715268
2	6526027	1	DYSERØR M. O-RING	5701715124
3	106526213	1	HØJTRYKSSLANGE 10M. ARM.	5701715334
4	6411187	1	TORNADO DYSERØR, KOMPL.	5701715268

Default accessories PE

POSEIDON PE, POSEIDON DE

12-08-2011

StyMiste ID
POS2PE10

37

Ingen tegning

Default accessories PE

POSEIDON PE, POSEIDON DE

12-08-2011

StyMiste ID

POS2PE10

38

Pos	Vare nr.	Ant	Beskrivelse	EAN
-	106402281	1	FLEXOPOWER (UDEN DYSE) LÆNGDE: 99 CM	4005337167
-	106403122	1	SPULEHÅNDTAG ERGO 2000	4005337168
0	101119738	1	TORNADO+ 0400 1/8"	5701715324
0	101405770	1	SLANGE 2W. 10M. 5/16"	5701715330
1	106402141	1	FLEXOPOWER U. DYSE L=92CM	FLEXOPOWER LANCE W/O NOZZLE 5701715324
1	301002410	1	SPULEHÅNDTAG ERGO 1000	4005337088

Default accessories DE

POSEIDON PE, POSEIDON DE

12-08-2011

StyMiste ID

POS5DE12

39

Ingen tegning

Default accessories DE

POSEIDON PE, POSEIDON DE

12-08-2011

StyMiste ID

POS5DE12

40

Pos	Vare nr.	Ant	Beskrivelse	EAN
1	101119742	1	TORNADO+ 0530 1/8"	5701715324
1	101405770	1	SLANGE 2W. 10M. 5/16"	5701715330
1	106402121	1	TORNADO 3000 U.DYSE L=92	5701715324
1	301002410	1	SPULEHÅNDTAG ERGO 1000	4005337088

Recommende spare parts

POSEIDON PE, POSEIDON DE

12-08-2011

StyMiste ID

POS2PE14

41

Ingen tegning

Recommende spare parts

POSEIDON PE, POSEIDON DE

12-08-2011

StyMiste ID POS2PE14

42

Pos	Vare nr.	Ant	Beskrivelse		EAN
A	101117926	1	FILTER	A	4005337177
A	101117926	1	FILTER	A	4005337177
A	106162552	1	REGULATION VALVE COMPL.	A	4005337115
A	106162553	1	REGULERINGSVENTIL	A	5701715419
A	106162556	1	CHECK VALVE KIT	A	5701715419
A	106162562	1	VENTILSÆDESÆT	A	5701715419
A	106162574	1	PAKNINGSSÆT FOR STEMLER	A	5701715419
A	106162574	1	PAKNINGSSÆT FOR STEMLER	A	5701715419
A	106162575	1	PAKNINGSSÆT	A	5701715419
A	106162576	1	VENTIL SÆT	A	5701715419
A	106162577	1	PAKNINGSSÆT FOR STEMPEL	A	5701715419
A	106162578	1	DISCHARGER KIT	A	5701715419
A	106162582	1	PAKNINGSSÆT	A	5701715419
A	106162596	1	PAKNINGSSÆT	A	
A	106162599	1	PAKNINGSSÆT	A	
A	106162604	1	O-RING SÆT	A	5701715456
A	106162888	1	VALVE MAINTENANCE KIT	A	5701715423
A	106163013	1	RING 15,Z19,9X2	A	5701715423
A	106163017	1	VALVE SEAT	A	5701715423
A	106163037	1	REGULATION VALVE	A	5701715423
A	301002561	1	KIT THRUST COLLAR	A	4005337106
A	301002562	1	KIT VALVE [6X]	A	4005337106
A	301002570	1	PACKING RING Ø14/28X11,5	A	4005337107
A	301002586	1	PAKNINGSRING	A	4005337107
A	31000165	1	PACKING RETAINER	A	5715492046
A	31000343	1	PISTON SEAL KIT	A	5715492081
B	106163039	1	INJEKTORDYSE-SÆT	B	5701715423
B	3000825	1	O-RING 20,24X2,62 NITRIL	B	5701715037
B	301002547	1	VALVE	B	4005337106
C	102406660	1	PRESSURE HOSE	C	5701715422
C	106162595	1	STEMPELSÆT (3 STK.)	C	
C	106162598	1	Ø 14 MM PISTON KIT	C	
C	106162854	1	STEMPEL SÆT	C	5701715423
C	106162881	1	PISTON KIT 14	C	5701715423
C	106526213	1	HØJTRYKSSLANGE 10M. ARM.	C	5701715334
C	301000246	1	MANOMETER POSEIDON 5	C	4005337671
C	301001092	1	HØJTRYKSSLANGE Ø8X1175	C	4005337031
C	6411187	1	TORNADO DYSERØR, KOMPL.	C	5701715268