

MAXXI 4

Model:

MAXXI 4-29

MAXXI 4-32

MAXXI 4-45

MAXXI 4-69

MAXXI 4-73



Stykliste Dansk

27-02-2012

Nilfisk
ALTO
works for you

www.nilfisk-alto.com

Indholdsfortegnelse

MAXXI 4

Frame, cabinet	3
MOTOR	5
Pump	8
Pump, kits	10
Pump NP5	12
Pump, kits NP5	14
Control safety block (A)	16
Control safety block (B)	18
Electric box	20
Default accessoires	23
Tilbehør	25

Frame, cabinet

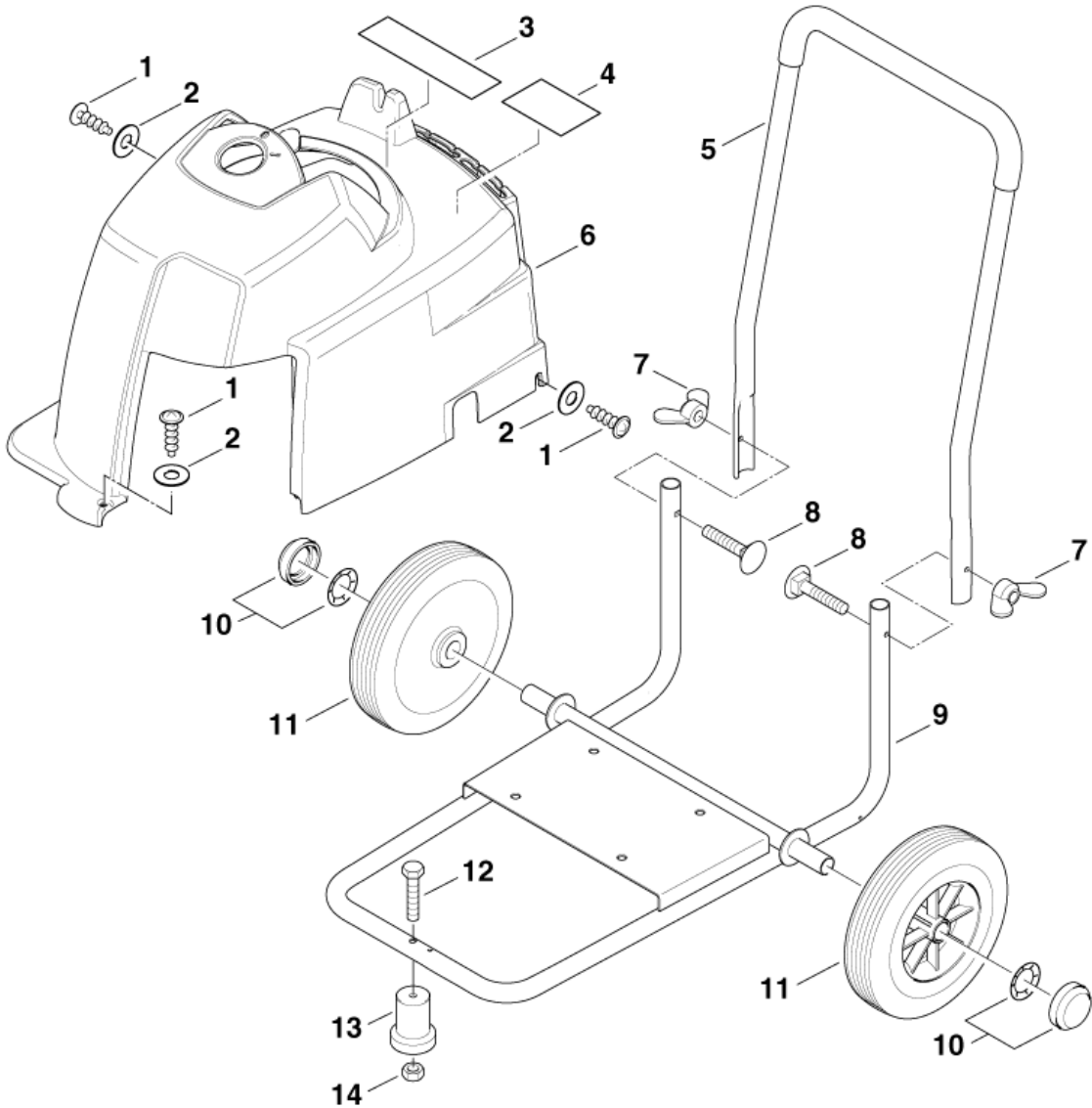
MAXXI4

27-02-2012

StyMiste ID

MAXXI409

3



Frame, cabinet

MAXXI 4

27-02-2012

StyMiste ID
MAXXI409

4

Pos	Vare nr.	Ant	Beskrivelse	EAN
0	301001507	1	COLLAPSIBLE CARDBOARD BOX	4005337048
1	40107	3	SKRUE	4005337401
2	2766	3	WASHER 6,4X1,6	4005337027
3	301001411	1	LABEL "MAX. 3MIN" F.MAXXI	4005337043
4	48083	1	KLÆBESKILT	4005337480
5	301001501	1	KØREBØJLE F. MAXXI	4005337047
6	301001388	1	KABINET F. MAXXI	4005337041
7	11722	2	VINGEMØTRIK	4005337117
8	34712	2	SKRUE M6X45 DIN 603	4005337347
9	301001400	1	CHASSIS F. MAXXI	4-29, 4-29A, 4-32, 4-32A, 4-45, 4-45A 4005337043
9	301001453	1	CHASSIS F. MAXXI	4-69, 4-73, 4-73A 4005337045
10	2004265	2	NAV/KAPSEL KOMP. Ø25	5701715031
11	301000988	2	HJUL Ø250X55 F. MAXXI	4005337027
12	2756	1	SKRUE M8X45	4005337027
13	301000979	1	STØTTEFOR Ø62X94	4005337026
14	61467	1	MØTRIK M8	4005337614

MOTOR

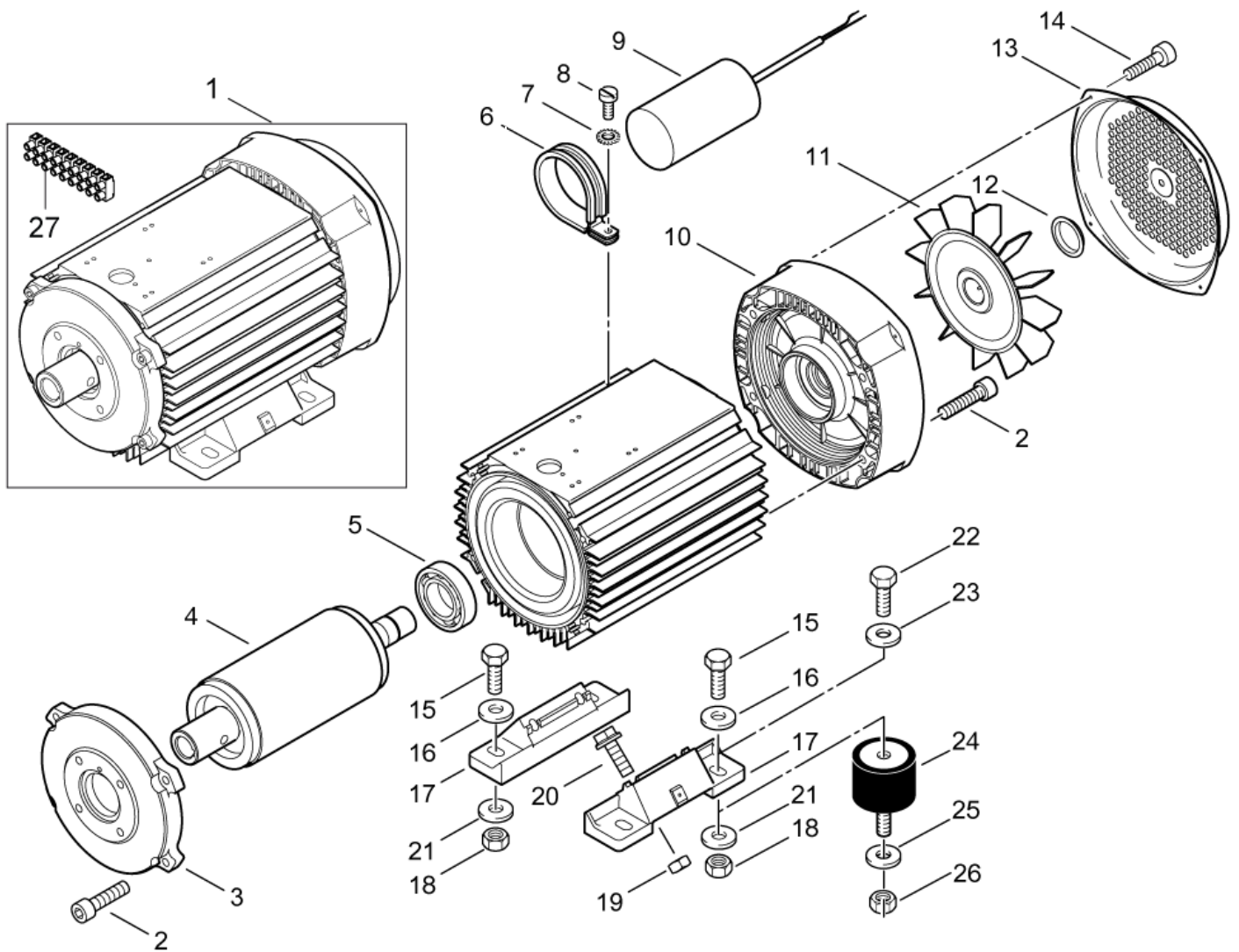
MAXXI4

27-02-2012

StyMiste ID

MAXXI401

5



MOTOR

MAXXI 4

27-02-2012

StyMiste ID

MAXXI401

6

Pos	Vare nr.	Ant	Beskrivelse		EAN
1	101118018	1	MOTOR ELD112 2.2KW 230V 1PH	230/1/50 4-29, 4-29A	4005337183
1	101118029	1	MOTOR 2.0KW 110V/1 WITH PLUG	4-29A 110/1/50	4005337183
1	301001397	1	MOTOR 2.3KW 230V	4-32, 4-32A	4005337042
1	301001398	1	MOTOR 4.5KW 230/400	4-45, 4-45A	4005337042
1	301001399	1	MOTOR 7,0 KW 230/400	4-69, 4-73, 4-73A	4005337042
2	15045	8	SKRUE M6X35	4-29, 4-29A, 4-32, 4-32A, 4-45, 4-45A	4005337150
2	6863	8	SKRUE	4-69, 4-73, 4-73A	4005337068
3	301001119	1	MOTORFLANGE	4-69, 4-73, 4-73A	4005337032
3	301001120	1	LEJEDÆKSEL	4-29, 4-29A, 4-32, 4-32A, 4-45, 4-45A	4005337032
4	301001121	1	ROTOR	230/1/50 4-29, 4-29A	4005337032
4	301001663	1	ROTOR MOTOR 2.3KW	4-32, 4-32A	4005337058
4	301001664	1	ROTOR MOTOR 4.5KW	4-45, 4-45A	4005337058
4	301001666	1	ROTOR MOTOR 2.0KW	4-29A, 110/1/50	4005337058
4	301001667	1	ROTOR MOTOR 7.0KW	4-69, 4-73, 4-73A	4005337058
5	5905	1	KUGLELEJE	4-69, 4-73, 4-73A	4005337059
5	6367	1	RULLELEJE	4-29, 4-29A, 4-32, 4-32A, 4-45, 4-45A	4005337063
6	301001093	1	FASTGØRELSESBÅND	4-29, 4-29A, 4-32, 4-32A	4005337031
7	3376	1	LÅSEKIVE	4-29, 4-29A, 4-32, 4-32A	4005337033
8	3348	1	SKRUE	4-29, 4-29A, 4-32, 4-32A	4005337033
9	301001017	1	KONDENSATOR 60µF	230/1/50 4-29, 4-29A	4005337028
9	301001581	1	CAPACITOR	4-32, 4-32A	4005337052
9	301001595	1	CAPACITOR	4-29A, 110/1/50	4005337055
10	301001113	1	LEJESKIVE BAGERSTE	4-69, 4-73, 4-73A	4005337032
10	301001114	1	LEJESKIVE BAGERSTE	4-29, 4-29A, 4-32, 4-32A, 4-45, 4-45A	4005337032
11	301001117	1	VINTILATORVINGE	4-69, 4-73, 4-73A	4005337032
11	301001118	1	VINTILATORVINGE	4-29, 4-29A, 4-32, 4-32A, 4-45, 4-45A	4005337032
12	301001112	1	KLEM RING		4005337032
13	301001115	1	VENTILATOR HUS	4-69, 4-73, 4-73A	4005337032
13	301001116	1	VENTILATOR HUS	4-29, 4-29A, 4-32, 4-32A, 4-45, 4-45A	4005337032
14	8822	4	SKRUE 3.5X9.5		4005337088
15	32964	4	SKRUE	4-29, 4-29A, 4-32, 4-32A, 4-45, 4-45A	4005337329
16	4827	4	WASHER 10,5X2,5	4-29, 4-29A, 4-32, 4-32A, 4-45, 4-45A	4005337048
17	301001126	2	MOTOR FOD	4-69, 4-73, 4-73A	4005337033
17	301001127	2	MOTOR FOD	4-29, 4-29A, 4-32, 4-32A, 4-45, 4-45A	4005337033
18	8952	4	MØTRIK SEKSKANTET M10	4-29, 4-29A, 4-32, 4-32A, 4-45, 4-45A	4005337089
19	6052	4	MØTRIK		4005337060
20	27372	4	SKRUE		4005337273
21	2767	4	PAKNING 10,5X2	4-29, 4-29A, 4-32, 4-32A, 4-45, 4-45A	4005337027
22	2750	4	SKRUE	4-69, 4-73, 4-73A	4005337027
23	2793	4	SKIVE	4-69, 4-73, 4-73A	4005337027
24	49924	4	SVINGNINGSDÆMPER	4-69, 4-73, 4-73A	4005337499
25	4827	4	WASHER 10,5X2,5	4-69, 4-73, 4-73A	4005337048

MOTOR

MAXXI 4

27-02-2012

Styliste ID
MAXXI401

7

Pos	Vare nr.	Ant	Beskrivelse	EAN
26	61467	4	MØTRIK M8 4-69, 4-73, 4-73A	4005337614
27	101117839	1	TERMINAL PLUG AND TERMINAL PINS	4005337179

Pump

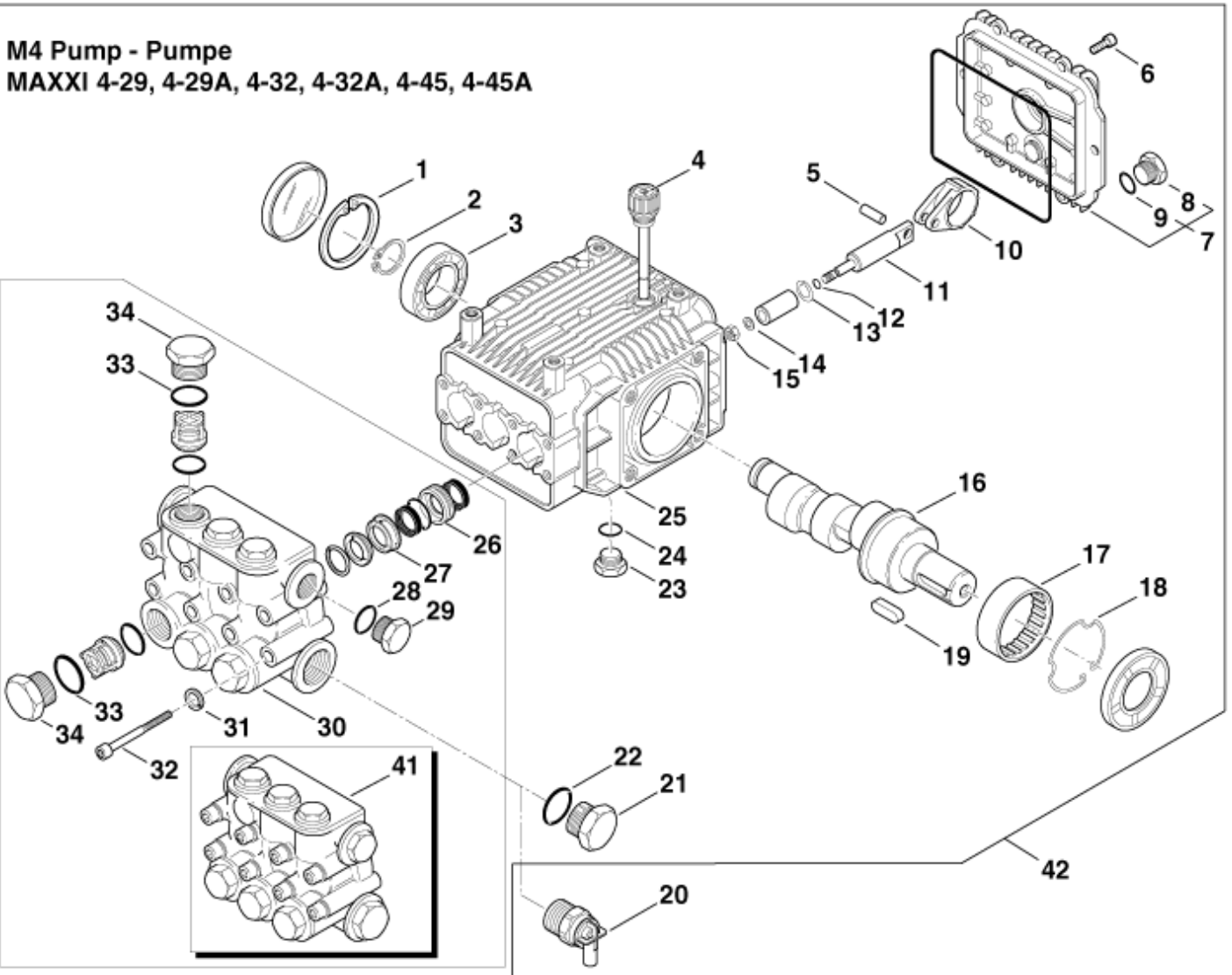
MAXXI 4

27-02-2012

StyMiste ID
MAXXI403

8

M4 Pump - Pumpe MAXXI 4-29, 4-29A, 4-32, 4-32A, 4-45, 4-45A



Pump

MAXXI 4

27-02-2012

StyMiste ID
MAXXI403

9

Pos	Vare nr.	Ant	Beskrivelse	EAN
1	16396	1	STØTTERING 52X2	4-29, 4-29A, 4-32, 4-32A, 4-45, 4-45A 4005337163
2	32524	1	SIKRINGSRING	4-29, 4-29A, 4-32, 4-32A, 4-45, 4-45A 4005337325
3	909100175	1	RULLELEJE 6304 DIN625	4-29, 4-29A, 4-32, 4-32A, 4-45, 4-45A 4005337049
4	301001460	1	OLIEPIND G3/8" F. MAXXI	4-29, 4-29A, 4-32, 4-32A, 4-45, 4-45A 4005337045
5	301001555	3	STANG F. MAXXI	4-29, 4-29A, 4-32, 4-32A, 4-45, 4-45A 4005337052
6	4697	6	SKRUE	4-29, 4-29A, 4-32, 4-32A, 4-45, 4-45A 4005337046
8	301001135	1	PROP	4-29, 4-29A, 4-32, 4-32A, 4-45, 4-45A 4005337033
9	56554	1	O-RING	4-29, 4-29A, 4-32, 4-32A, 4-45, 4-45A 4005337565
10	301001561	3	PLEJLSTANG	4-29, 4-29A, 4-32, 4-32A 4005337053
10	301001562	3	PLEJLSTANG F. NP3-PUMPE	4-45, 4-45A 4005337052
11	301001560	3	STEMPEL STANG F. NP3-PUMP	4-29, 4-29A, 4-32, 4-32A, 4-45, 4-45A 4005337052
12	3004236	3	O-RING Ø4,48X1,78 SH70	4-29, 4-29A, 4-32, 4-32A, 4-45, 4-45A 5701715365
13	301001486	3	AFSTANDSKIVE	4-29, 4-29A, 4-32, 4-32A, 4-45, 4-45A 4005337048
14	909100178	3	PAKNING 8,0X13X0,5	4-29, 4-29A, 4-32, 4-32A, 4-45, 4-45A 4005337049
15	909100177	3	MØTRIK 6KT M8 SW13X5	4-29, 4-29A, 4-32, 4-32A, 4-45, 4-45A 4005337049
16	301001575	1	CRANKSHAFT FOR M4 11.17	4-32, 4-32A 4005337053
16	301001576	1	KRUMTAP FOR M4 13.20	4-45, 4-45A 4005337053
16	301001578	1	KRUMTAP	4-29, 4-29A 4005337053
17	909100174	1	RULLELEJE	4-29, 4-29A, 4-32, 4-32A, 4-45, 4-45A 4005337048
18	301001539	1	SIKRINGSRING Ø62/Ø54XØ1	4-29, 4-29A, 4-32, 4-32A, 4-45, 4-45A 4005337051
19	19639	1	FJEDE A	4-29, 4-29A, 4-32, 4-32A, 4-45, 4-45A 4005337196
20	301001391	1	THERMOSTAT-VENTIL F. MAXXI	4-29, 4-32, 4-45 4005337042
21	301001136	1	PROP	4-29A, 4-32A, 4-45A 4005337033
22	5127	1	PAKNINGSRING	4-29A, 4-32A, 4-45A 4005337051
23	301001135	1	PROP	4-29, 4-29A, 4-32, 4-32A, 4-45, 4-45A 4005337033
24	56554	1	O-RING	4-29, 4-29A, 4-32, 4-32A, 4-45, 4-45A 4005337565
25	301001557	1	CYLINDERBLOK F. MAXXI	4-29, 4-29A, 4-32, 4-32A, 4-45, 4-45A 4005337052
26	301001592	3	TRYKRING Ø15 NP3	4-29, 4-29A, 4-32, 4-32A, 4-45, 4-45A 4005337054
27	301001558	3	TRYKRING Ø15 NP3	4-29, 4-29A, 4-32, 4-32A, 4-45, 4-45A 4005337052
28	56554	1	O-RING	4-29, 4-29A, 4-32, 4-32A, 4-45, 4-45A 4005337565
29	301001135	1	PROP	4-29, 4-29A, 4-32, 4-32A, 4-45, 4-45A 4005337033
30	301001589	1	TOPSTYKKE F. MAXXI	4-29, 4-29A, 4-32, 4-32A, 4-45, 4-45A 4005337052
31	909100188	8	LÅSEKIVE Ø6	4-29, 4-29A, 4-32, 4-32A, 4-45, 4-45A 4005337052
32	909100184	8	SKRUE M6X60 ISO4762	4-29, 4-29A, 4-32, 4-32A, 4-45, 4-45A 4005337049
33	103004342	6	O-RING	4-29, 4-29A, 4-32, 4-32A, 4-45, 4-45A 5701715296
34	301001496	6	PROP M22 SW21X22,5	4-29, 4-29A, 4-32, 4-32A, 4-45, 4-45A 4005337048
41	301001586	1	TOPSTYKKE KOMPL. F. MAXXI	4-32, 4-32A, 4-45, 4-45A 4005337052
41	301001587	1	TOPSTYKKE, KOMPL.	4-29, 4-29A 4005337052
42	301001299	1	PUMPE NP3	4-29, 4-29A 4005337042
42	301001458	1	PUMPE M4 13.20	4-45, 4-45A 4005337045
42	301001461	1	PUMP M4 170 BAR ALTO	4-32, 4-32A 4005337045

Pump, kits

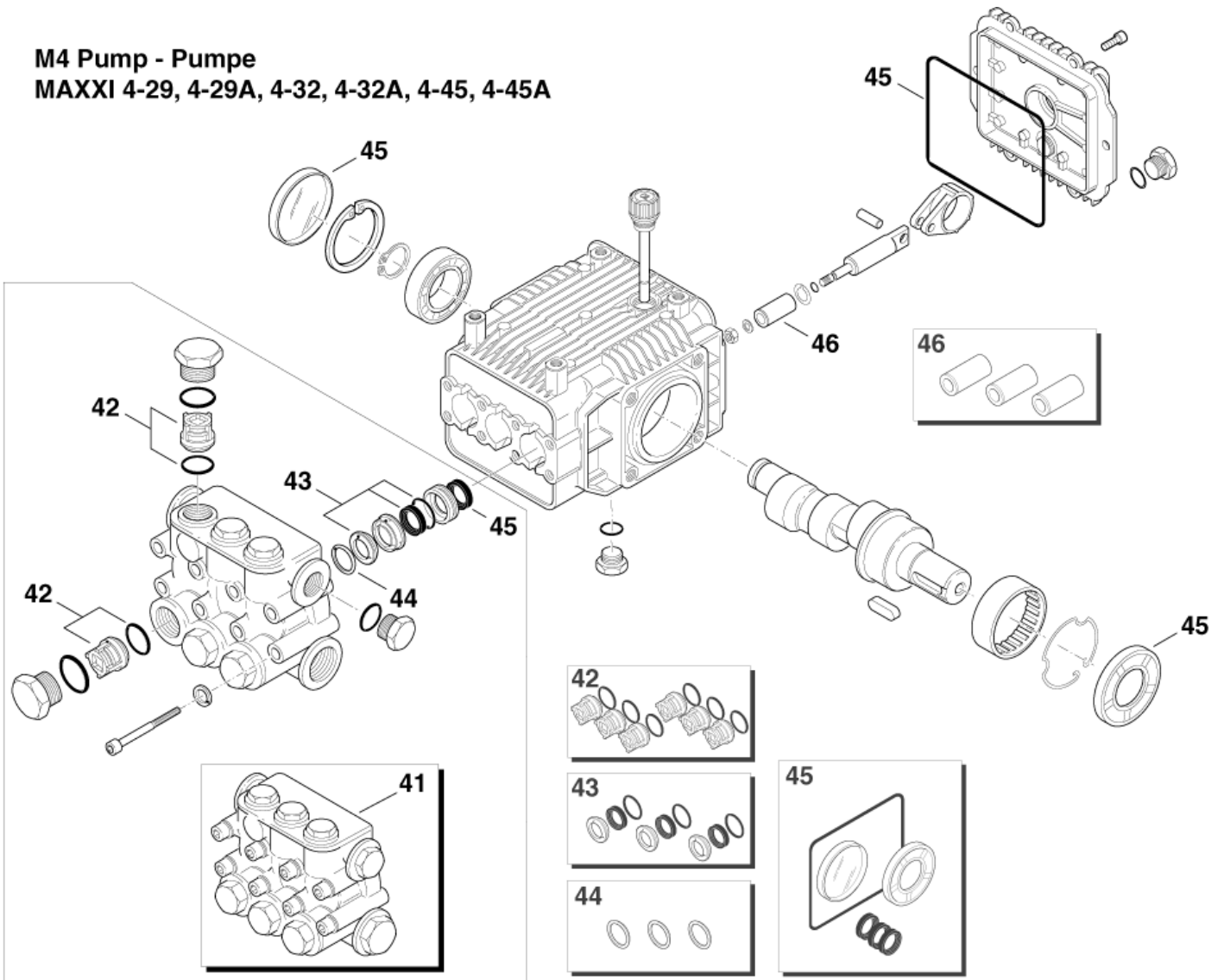
MAXXI 4

27-02-2012

StyMiste ID
MAXXI404

10

M4 Pump - Pumpe MAXXI 4-29, 4-29A, 4-32, 4-32A, 4-45, 4-45A



Pump, kits

MAXXI 4

27-02-2012

StyMiste ID
MAXXI404

11

Pos	Vare nr.	Ant	Beskrivelse	EAN
41	301001586	1	TOPSTYKKE KOMPL. F. MAXXI	4005337052
			4-32, 4-32A, 4-45, 4-45A	
41	301001587	1	TOPSTYKKE, KOMPL.	4005337052
			4-29, 4-29A	
42	301001494	1	VENTIL KIT 6 FOR PUMPE	4005337048
			4-29, 4-29A, 4-32, 4-32A, 4-45, 4-45A	
43	301001489	1	STEMPEL PAKNINGSSÆT Ø15	4005337048
			4-29, 4-29A, 4-32, 4-32A, 4-45, 4-45A	
44	301001492	1	STØTTERINGSSÆT Ø15	4005337048
			4-29, 4-29A, 4-32, 4-32A, 4-45, 4-45A	
45	301001491	1	OLIE PAKNINGSSÆT F. MAXXI	4005337048
			4-29, 4-29A, 4-32, 4-32A, 4-45, 4-45A	
46	301001487	1	STEMPEL SÆT Ø15	4005337048
			4-29, 4-29A, 4-32, 4-32A, 4-45, 4-45A	

Pump NP5

MAXXI 4

27-02-2012

StyMiste ID
MAXXI405

13

Pos	Vare nr.	Ant	Beskrivelse		EAN
1	2788	4	SKRUE	4-69, 4-73, 4-73A	4005337027
2	301001166	1	LEJEDÆKSEL LUKKET	4-69, 4-73, 4-73A	4005337034
3	301001140	1	LEJEDÆKSEL	4-69, 4-73, 4-73A	4005337033
3	301001141	1	PASNINGSSKIVE	4-69, 4-73, 4-73A	4005337033
3	301001142	1	PASNINGSSKIVE	4-69, 4-73, 4-73A	4005337033
3	301001143	1	PASNINGSSKIVE	4-69, 4-73, 4-73A	4005337033
4	909100163	1	RULLELEJE	4-69, 4-73, 4-73A	4005337036
5	301001460	1	OLIEPIND G3/8" F. MAXXI	4-69, 4-73, 4-73A	4005337045
6	3001740	3	O-RING 7,66X1,78 NITRIL	4-69, 4-73, 4-73A	5701715038
7	301001138	3	STANG	4-69, 4-73, 4-73A	4005337033
8	909100158	6	SKRUE	4-69, 4-73, 4-73A	4005337035
9	301001158	1	DÆKSEL	4-69, 4-73, 4-73A	4005337034
10	301001135	1	PROP	4-69, 4-73, 4-73A	4005337033
11	56554	1	O-RING	4-69, 4-73, 4-73A	4005337565
12	301001168	3	PLEJLSTANG	4-69, 4-73, 4-73A	4005337034
13	301001156	3	STEMPEL STANG	4-69, 4-73, 4-73A	4005337034
14	49900	3	STØTTERING 8,0X11,0X1,0	4-69, 4-73, 4-73A	4005337499
15	301001139	3	AFSTANDSSKIVE	4-69, 4-73, 4-73A	4005337033
16	909100165	3	PAKNING	4-69, 4-73, 4-73A	4005337038
17	909100167	3	MØTRIK	4-69, 4-73, 4-73A	4005337038
18	301001162	1	KRUMTAP F. NP5-PUMPE	4-69, 4-73, 4-73A	4005337034
19	19639	1	FJEDE A	4-69, 4-73, 4-73A	4005337196
20	909100162	1	RULLELEJE	4-69, 4-73, 4-73A	4005337036
21	301001167	1	LEJEDÆKSEL	4-69, 4-73, 4-73A	4005337034
22	2798	4	FJEDERRING	4-69, 4-73, 4-73A	4005337027
23	3928	4	SKRUE M8X30 ISO 4762	4-69, 4-73, 4-73A	4005337039
24	301001157	1	CYLINDERBLOK	4-69, 4-73, 4-73A	4005337034
25	56554	1	O-RING	4-69, 4-73, 4-73A	4005337565
26	301001135	1	PROP	4-69, 4-73, 4-73A	4005337033
27	301001391	1	THERMOSTAT-VENTIL F. MAXXI	4-69, 4-73	4005337042
28	5127	1	PAKNINGSRING	4-73A	4005337051
29	301001136	1	PROP	4-73A	4005337033
30	1409	1	PAKNING	4-69, 4-73, 4-73A	4005337014
31	301001134	1	PROP	4-69, 4-73, 4-73A	4005337033
32	909100168	8	LÅSESKIVE Ø8	4-69, 4-73, 4-73A	4005337038
33	1814597	8	SKRUE M8X70	4-69, 4-73, 4-73A	5701715124
34	103004342	6	O-RING	4-69, 4-73, 4-73A	5701715296
35	301001137	6	PROP	4-69, 4-73, 4-73A	4005337033
36	301001172	1	TOPSTYKKE	4-69, 4-73, 4-73A	4005337034
37	301001154	3	TRYKRING	4-69, 4-73, 4-73A	4005337034
41	301001170	1	TOPSTYKKE	4-69, 4-73, 4-73A	4005337034
42	301000995	1	PUMPE NP5 11.20 F. MAXXI	4-69, 4-73, 4-73A	4005337027

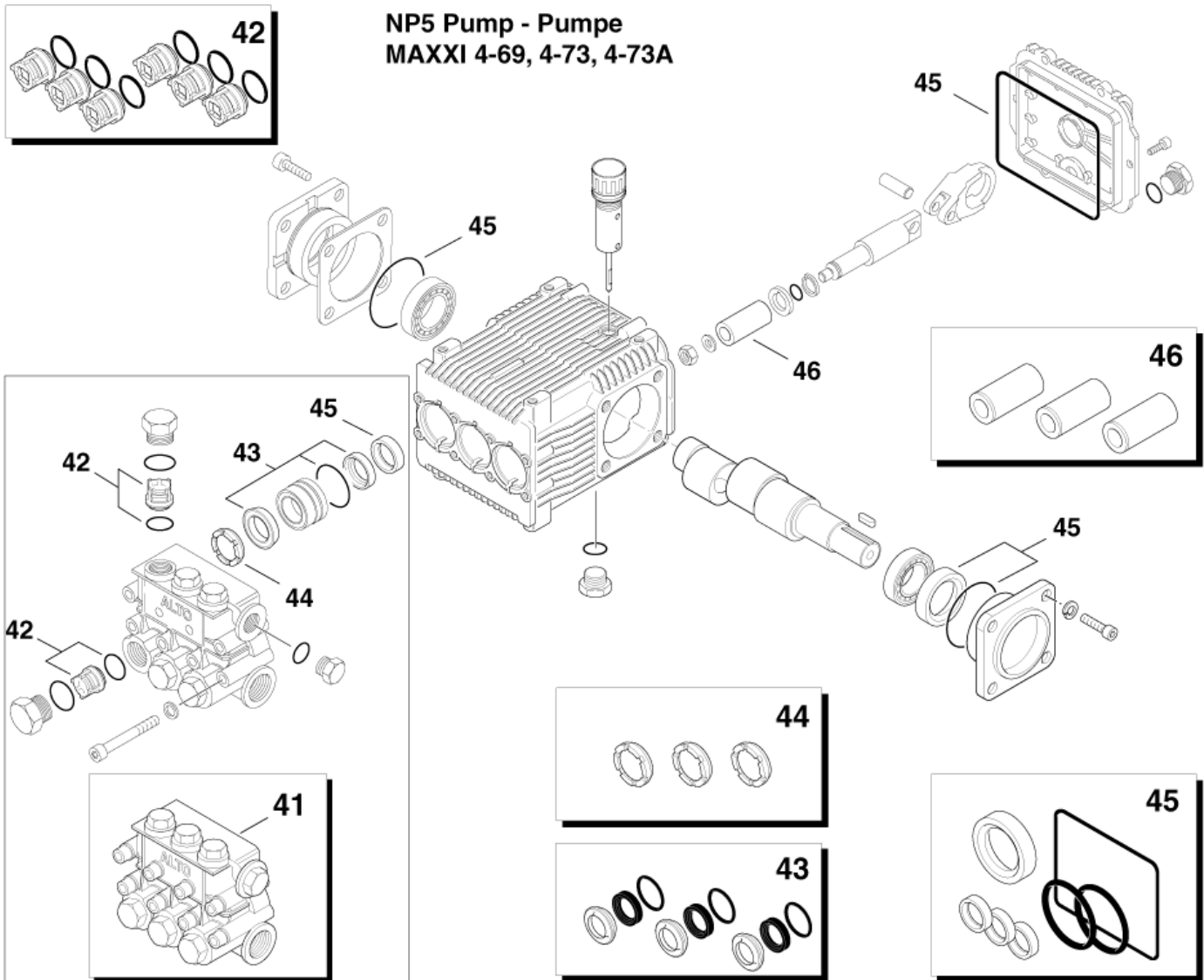
Pump, kits NP5

MAXXI 4

27-02-2012

StyMiste ID
MAXXI406

14



Pump, kits NP5

MAXXI 4

27-02-2012

StyMiste ID
MAXXI406

15

Pos	Vare nr.	Ant	Beskrivelse	EAN
41	301001170	1	TOPSTYKKE	4005337034
42	301001153	1	VENTIL KIT 6 FOR PUMPE	4005337034
43	301001148	1	STEMPEL PAKNINGS KIT	4005337033
44	301001151	1	STØTTE RING KIT	4005337034
45	301001150	1	OLIE PAKNINGS KIT	4005337034
46	301001146	1	STEMPEL KIT	4005337033

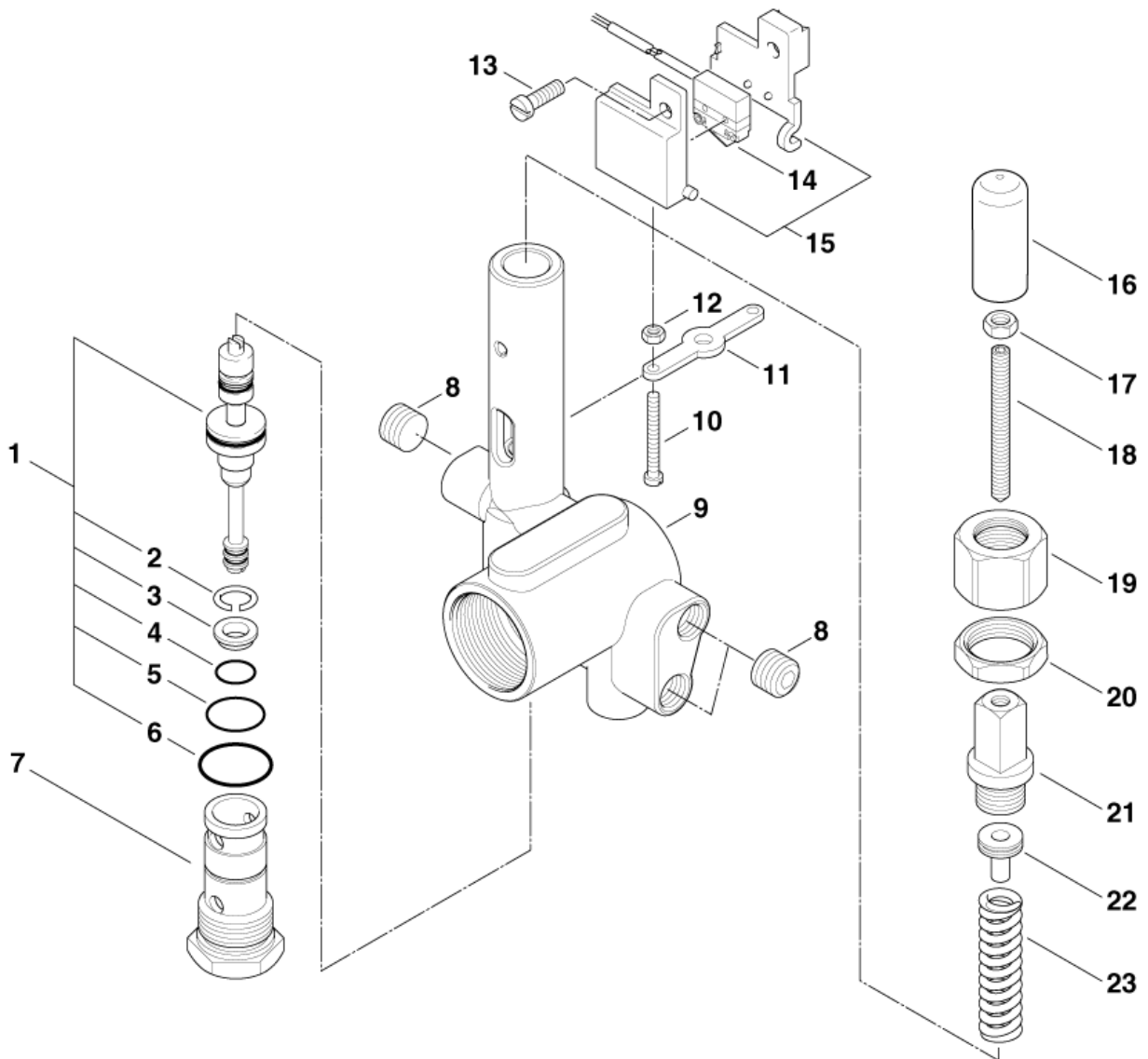
Control safety block (A)

MAXXI4

27-02-2012

StyMiste ID
MAXXI407

16



Control safety block (A)

MAXXI 4

27-02-2012

StyMiste ID
MAXXI407

17

Pos	Vare nr.	Ant	Beskrivelse	EAN
1	64314	1	REP.SÆT VENTILSTEMPEL	4005337643
2	909100001	1	LÅSERING	4005337003
3	62708	1	VENTILSÆDE	4005337627
4	49461	1	O-RING	4005337494
5	9523	1	O-RING	4005337095
6	32091	1	O-RING	4005337320
7	64301	1	BANJO BOLT	4005337643
8	6262	3	BLÆNDPROP	4005337062
9	301001447	1	OMLØBSVENTILHUS F. MAXXI	4005337044
10	5076	1	SKRUE	4-29A, 4-32A, 4-45A, 4-73A 4005337050
11	62717	1	KONTAKTBESLAG	4005337627
12	2759	1	MØTRIK M8	4-29A, 4-32A, 4-45A, 4-73A 4005337027
13	3349	1	SKRUE	4-29A, 4-32A, 4-45A, 4-73A 4005337033
14	101118011	1	END SWITCH 250V 5A W.WIRE FSH/FS 6.3 KIT	-45A, 4-73A 4005337184
14	301000952	1	MIKROKONTAKT	4-29A, 4-32A 4005337026
15	62401	1	HUS F. MICRO SWITCH	4-29A, 4-32A, 4-45A, 4-73A 4005337624
16	301001508	1	KAPPE Ø20X45 F. MAXXI	4005337047
17	3136	1	MØTRIK	4005337031
18	62711	1	GEVINDSTIFT	4005337627
19	62710	1	OMLØBER	4005337627
20	62696	1	MØTRIK	4005337626
21	62712	1	JUSTERSKRUE	4005337627
22	62695	1	FJEDERSTYR	4005337626
23	40972	1	FJEDER	4005337409
99	301001448	1	CONTROL SAFETY BLOCK MAXXI 4 250BAR	4005337044

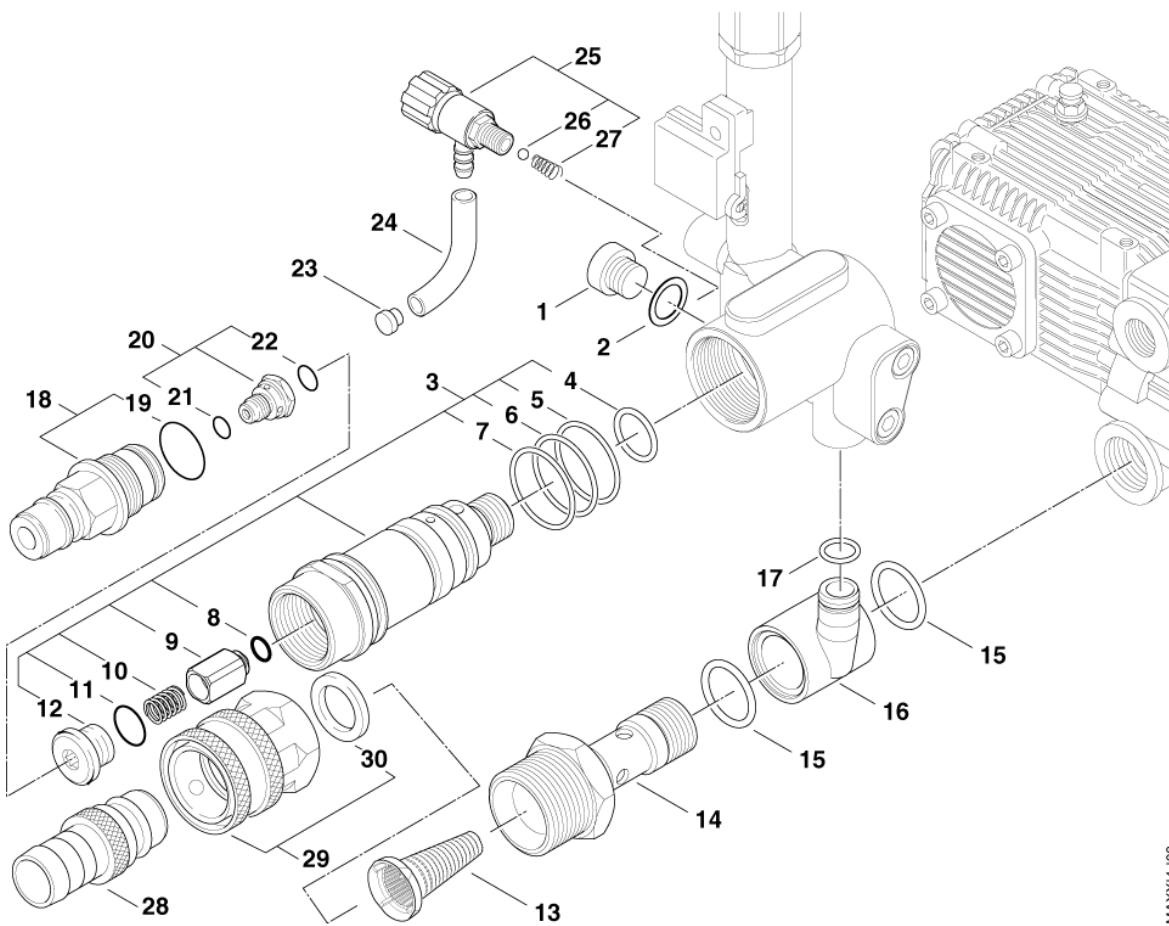
Control safety block (B)

MAXXI 4

27-02-2012

StyMiste ID
MAXXI408

18



MAXXI4-08

Control safety block (B)

MAXXI 4

27-02-2012

StyMiste ID
MAXXI408

19

Pos	Vare nr.	Ant	Beskrivelse		EAN
1	33047	1	PROP G1/8 DIN 908	=>30.11.2005]	4005337330
2	1605	1	PAKNING	=>30.11.2005]	4005337016
3	64304	1	BANJO BOLT		4005337643
4	16443	1	O-RING		4005337164
5	64307	1	O-RING 23,47X2,62		4005337643
6	64306	1	O-RING 257X2,62		4005337643
7	64305	1	O-RING 28,24X2,62		4005337643
8	9858	1	O-RING		4005337098
9	6187135	1	STEMPEL		5701715290
10	14522	1	TRYK FJEDER		4005337145
11	16998	1	O-RING		4005337169
12	64309	1	BANJO BOLT M16X1		4005337643
13	101117926	1	FILTER		4005337177
14	301001297	1	BANJO BOLT G1/2"-G3/4"X72		4005337045
15	24347	2	O-RING		4005337243
16	301000778	1	RETURLØB Ø30,9X34	4-69, 4-73, 4-73A	4005337025
16	301001296	1	RETURLØB F. MAXXI	4-29, 4-29A, 4-32, 4-32A, 4-45, 4-45A	4005337045
17	13739	1	O-RING		4005337137
18	64236	1	OVERGANG, TRITON	01.10.2005=>	4005337642
19	32091	1	O-RING	01.10.2005=>	4005337320
20	57121	1	INJEKTOR	4-69, 4-73A 01.12.2005=>	4005337571
20	62155	1	INJEKTORDYSE Ø1,8X2,6	4-29, 4-29A, 4-32A 01.12.2005=>	4005337621
20	62156	1	INJEKTORDYSE, KEMI	4-45*NO*, 4-45A 01.12.2005=>	4005337621
21	16925	1	O-RING	01.12.2005=>	4005337169
22	1381	1	O-RING 14X2	01.12.2005=>	4005337013
23	6400240	1	FILTER	01.12.2005=>	5701715097
24	5206636	1	PVC-SLANGE, KLAR Ø6/Ø10	01.12.2005=> PLS. INDICATE LENGTH IN METRES	5701715046
25	64312	1	KEMIDOSERING	01.12.2005=>	4005337643
26	9580	1	KUGLE Ø5,5 DIN5401-2	01.12.2005=>	4005337095
27	41132	1	FJEDER 0,3X4,7	01.12.2005=>	4005337411
28	1600659	1	LYNKOBLINGSNIPPEL	*GB* 01.02.2006=>	5701715023
29	1602945	1	LYNKOBLING 3/4" LAVTRYK	*GB* 01.02.2006=>	5701715024
30	3001237	1	PAKNING Ø24,5XØ16X3	*GB* 01.02.2006=>	5701715037

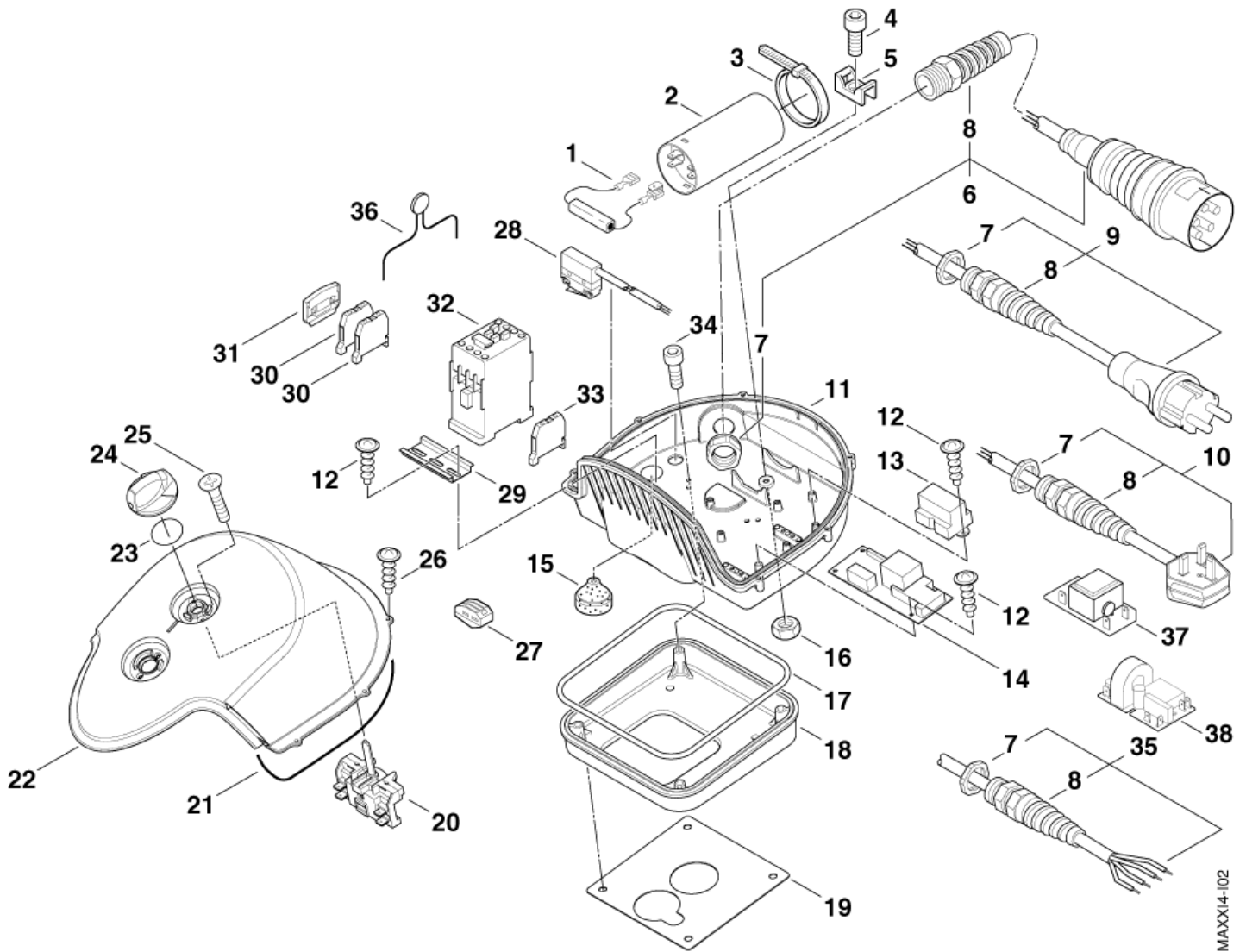
Electric box

MAXXI4

27-02-2012

StyMiste ID
MAXXI402

20



MAXXI4-102

Electric box

MAXXI 4

27-02-2012

StyMiste ID
MAXXI402

21

Pos	Vare nr.	Ant	Beskrivelse		EAN
1	301000402	1	MODSTAND	4-29, 4-29A, 4-32, 4-32A	4005337680
2	301001056	1	START KONDENSATOR	4-29, 4-29A, 4-32, 4-32A	4005337030
3	15884	1	CABLE STRAP 4,7X1,3X350	4-29, 4-29A, 4-32, 4-32A	4005337158
4	3288	1	SCREW M4X8	4-29, 4-29A, 4-32, 4-32A	4005337032
5	1814621	1	BRACKET	4-29, 4-29A, 4-32, 4-32A	
6	301000834	1	LEDNING MED STIK	400/3/50 *EU*	4005337021
7	909100019	1	MØTRIK		4005337016
7	909100020	1	HEXAGON THIN NUT M25X1.5 EN 50262 PA	4-29A 110/1/50	4005337017
8	909100043	1	KABELAFLASTNING		4005337679
8	909100198	1	Cord Fixing M25x1,5	4-29A 110/1/50	4005337056
9	301000829	1	LEØING	230/1/50 *EU*	4005337021
9	301001992	1	TOPDÆKSEL	4-29A 110/1/50	4005337070
10	301000912	1	POWER CORD H07RN-F 3G1.5X6.0	230/1/50 *GB*	4005337023
11	301000768	1	ELKASSE OVERDEL		4005337024
12	909100046	6	EJOT-SKRUE	4-29, 4-29A, 4-32, 4-32A	4005337679
13	11060	1	STARTRELÆ	230V 4-29, 4-29A, 4-32, 4-32A	4005337110
14	301001104	1	PRINT	4-29A, 4-32A, 230/1/50	4005337032
14	301001660	1	ELECTRONIC	4-29 110/1/50	4005337058
15	3803764	1	PAKÐÅSE TET 5-7C	4-29, 4-32, 4-45, 4-69, 4-73	5701715007
16	15319	1	HEXAGON NUT M4	4-29, 4-29A, 4-32, 4-32A	4005337153
17	101406054	1	SPONGE RUBBER Ø4 L 1M		5701715457
18	301000769	1	ADAPTERPLADE	4-29, 4-29A, 4-32, 4-32A, 4-45, 4-45A	4005337024
19	301001183	1	PAKNING		4005337034
20	301001058	1	START/STOP KONTAKT		4005337030
21	101406054	1	SPONGE RUBBER Ø4 L 1M		5701715457
22	301001454	1	ELKASSE OVERDEL F. MAXXI		4005337045
23	9868	1	O-RING 10.0X2.5		4005337098
24	909100204	1	DREJEKNAP		4005337689
25	18274	2	SKRUE M4X12		4005337182
26	1814585	6	PT-SKRUE K30X12		5701715121
27	301001229	1	RÆKKEKLEMME 3X4 QMM	4-45, 4-45A, 4-73, 4-73A	4005337038
27	301002165	1	CAGE CLAMP TERMINAL 5POL	4-29A 110/1/50	4005337080
28	101118011	1	END SWITCH 250V 5A W.WIRE FSH/FS 6.3 KIT	-45A, 4-73A	4005337184
28	301000952	1	MIKROKONTAKT	4-29A, 4-32A	4005337026
29	22290	1	MODTAGESKINNE	PLEASE INDICATE LENGTHS IN METRES WHEN ORDERING	4005337222
30	301000687	2	KLEMRÆKKE GRÅ (GB)	4-29, 4-29A, 4-32, 4-32A	4005337691
31	301000689	1	STOPPLADE	4-29, 4-29A, 4-32, 4-32A	4005337691
32	103822303	1	CONTACTOR CJX2-D18-V7 400	4-45 *EU*, 4-45A, 4-73, 4-73A	4005337185
32	103822304	1	CONTACTOR CJX2-D18-P7 230 V	4-29, 4-29A, 4-32, 4-32A	4005337178
32	103822309	1	CONTACTOR CJX2-D25-P7 230 V	4-45*NO*	4005337178
32	103822314	1	CONTACTOR CJX2-D32-P7 230V	4-69	4005337178
32	103822316	1	CONTACTOR CJX2-D32-F7 110V	4-29A 110/1/50	5715492057

Electric box

MAXXI 4

27-02-2012

Styliste ID

MAXXI402

22

Pos	Vare nr.	Ant	Beskrivelse		EAN
33	14506	1	6IRE TERMINAL 10QMM	4-29A 110/1/50	4005337145
33	3817483	1	KLEMMERÆKKE, JORD		5701715043
34	10369	4	SKRUE M5X25	4-29, 4-29A, 4-32, 4-32A, 4-45, 4-45A	4005337103
34	32535	4	SKRUE M5X6	4-69, 4-73, 4-73A	4005337325
35	301000833	1	Power Cord H07RN-F 4G2,5 x6	230/3/50 *NO*	4005337021
36	301002353	1	CURRENT LIMITER 5W	4-29, 4-29A, 4-32, 4-32A	4005337083
37	301002461	1	TRANSFORMER BOARD 115V/24V 2VA	4-29A 110/1/50	4005337101
38	301001991	1	CIRCUIT BOARD 1PH 24VAC	4-29A 110/1/50	4005337070

Default accessoires

MAXXI 4

27-02-2012

Styliste ID
MAXXI420

23

Ingen tegning

Default accessoires

MAXXI 4

27-02-2012

StyMiste ID
MAXXI420

24

Pos	Vare nr.	Ant	Beskrivelse		EAN
1	2508	1	HØJTRYKS-DYSE, 2508, 1/8"	4-73	4005337025
1	2509	1	HØJTRYKS-DYSE, 5003, 1/8" NPT	4-69	4005337025
1	61115	1	SLANGE 10M. SUPER 2000		4005337611
1	61248	1	DYSERØR 950 MM. F. MAXXI		4005337612
1	64170	1	SPULEHÅNDTAG		4005337641
1	7814	1	DYSE, 25055, 1/8" NPT	4-29	4005337078
1	8528	1	DYSE, 25045, 1/8" NPT	4-32, 4-45	4005337085

Tilbehør

MAXXI 4

27-02-2012

StyMiste ID
MAXXI20

25

Ingen tegning

Tilbehør

MAXXI 4

27-02-2012

StyMiste ID

MAXXI20

26

Pos	Vare nr.	Ant	Beskrivelse	EAN
1	301001584	1	SLANGERULLE F. 50M. MAXXI	4005337052
2	63227	1	HP HOSE DN8X0,9M M27X1,5 250bar/150° CONNECTS MACHINE TO REEL	4005337632
3	301001502	1	PROPORTIONING DEVICE 4-28	4005337047
4	301001503	1	PROPORTIONING DEVICE 4-30	4005337047
5	301001504	1	KEMI-INJEKTORSÆT F.MAXXI	4005337047
6	301001505	1	SÆBEDOSERING-FLEXOPOWER	4005337047
7	301001690	1	PROPORTIONING DEVICE	4005337059