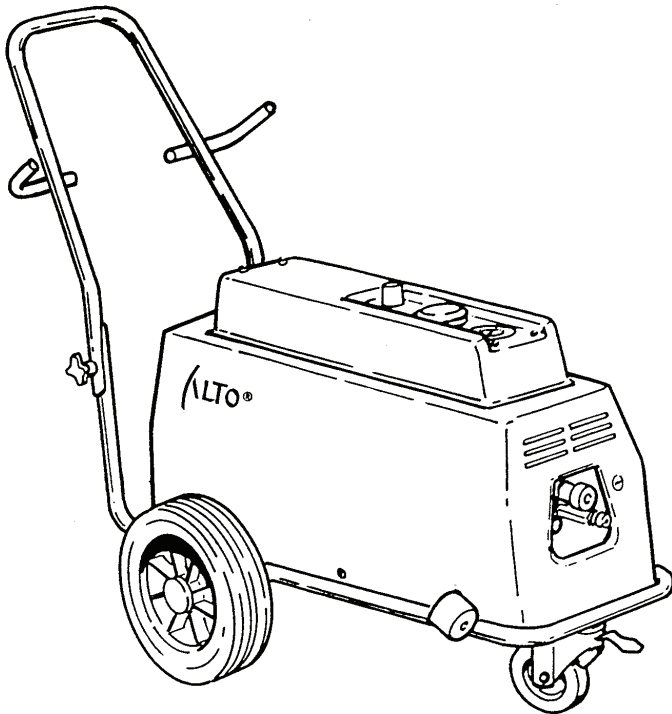
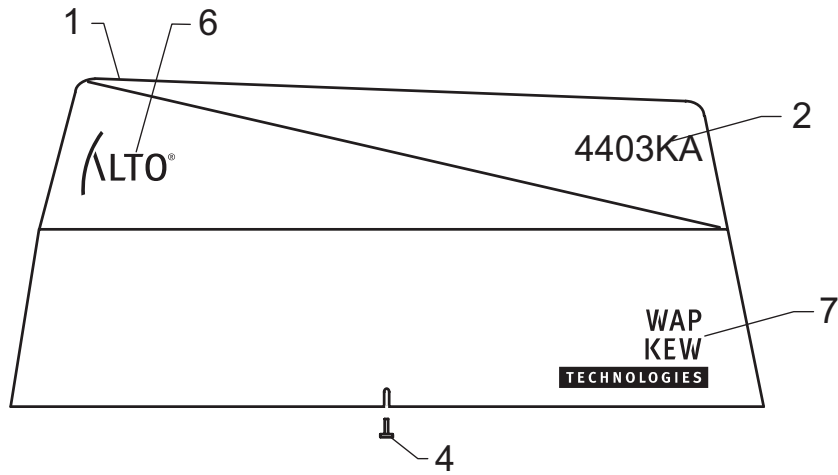
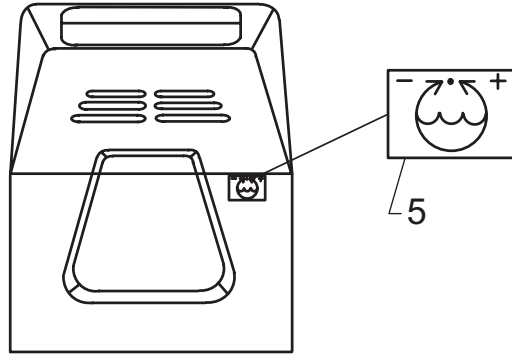
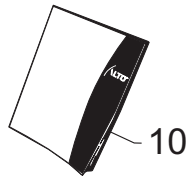


03K
C3KA
3000C



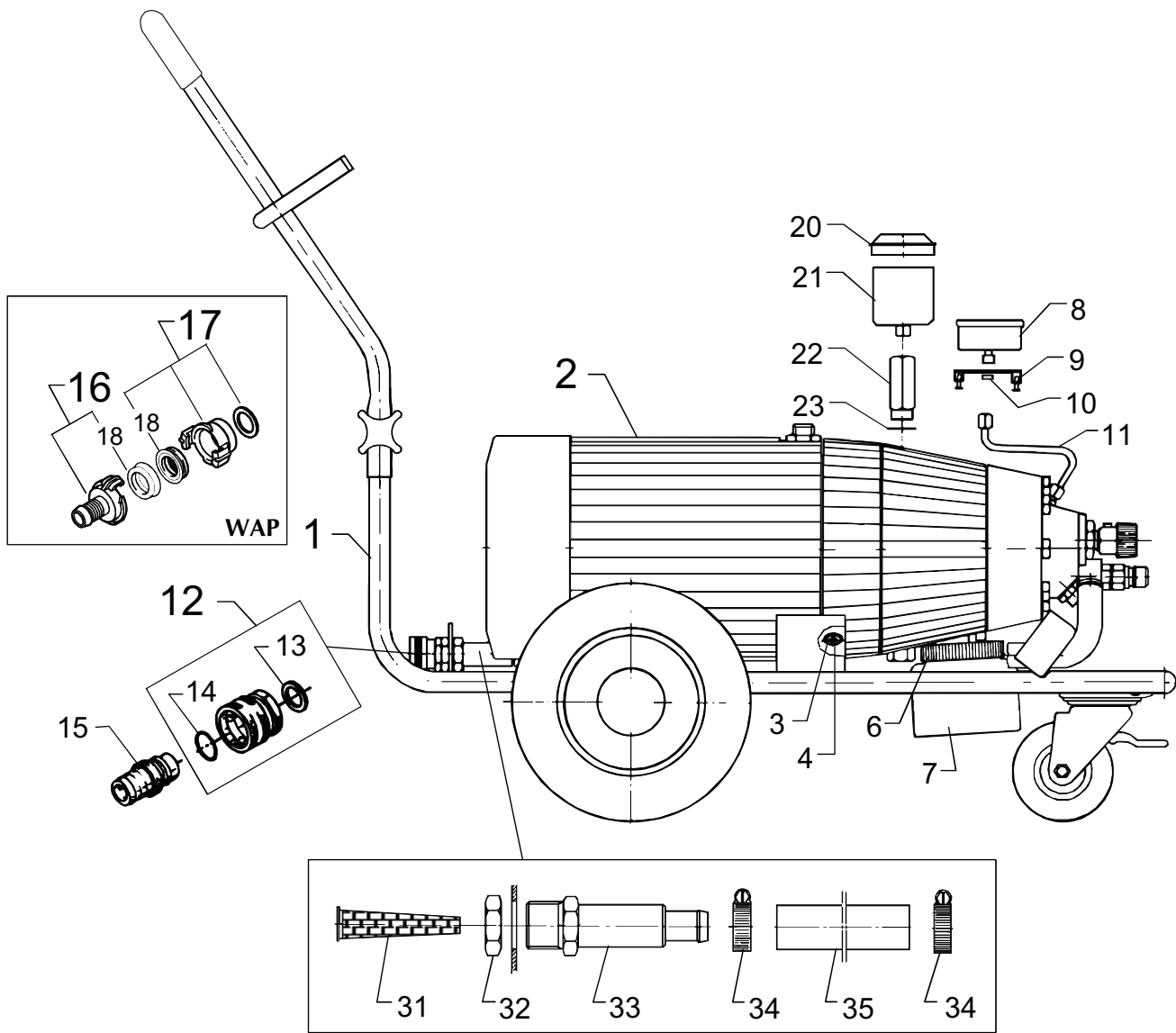
ALTO[®]
Total Cleaning
Confidence[™]

Reserve de le
Spare parts
Ersatzteile
Pièces détachées



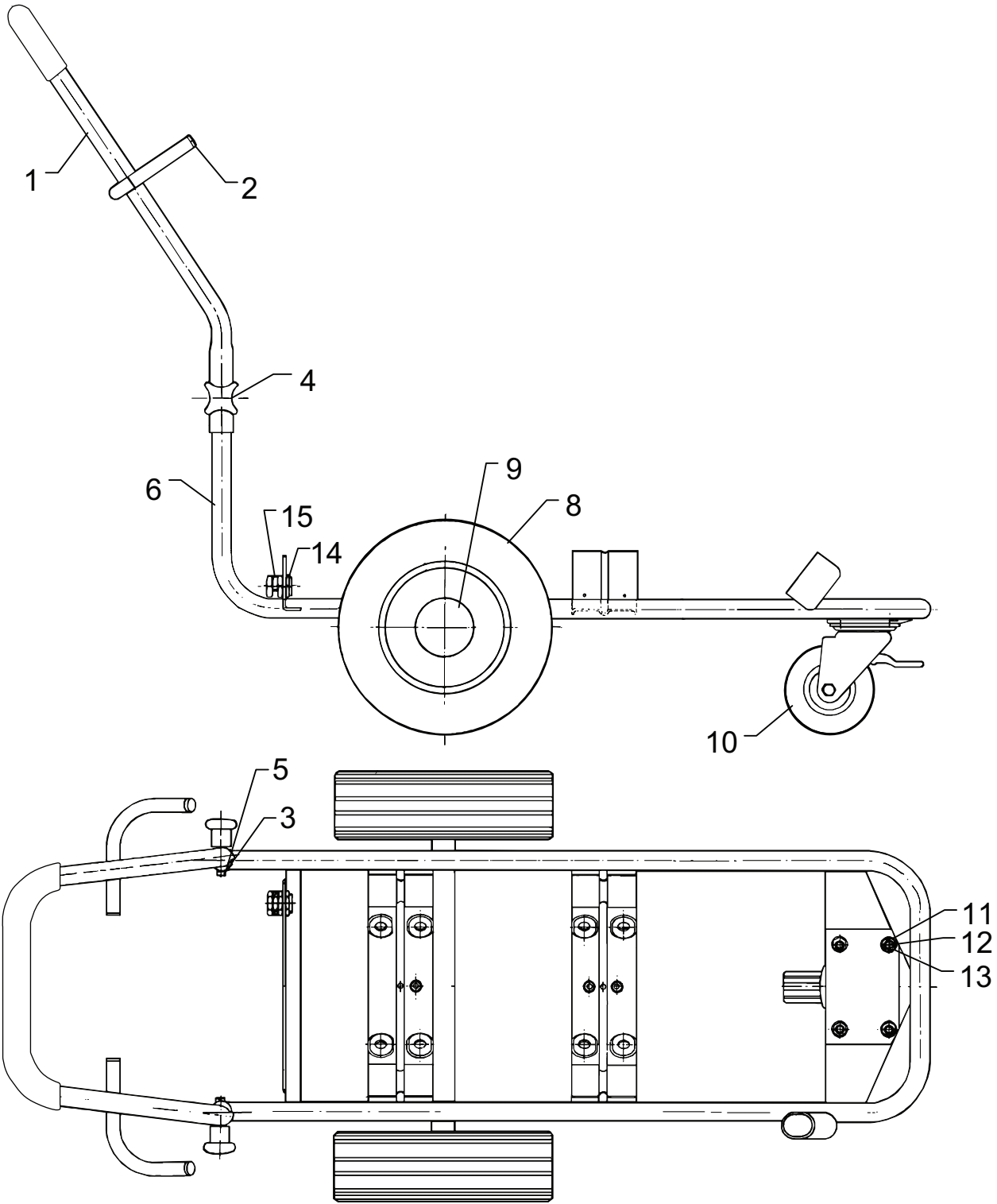
| Pos. Ref. | Nr. No. | Betegnelse Bezeichnung | Designation Désignation | | | | | | |
|-----------|---------|--|----------------------------|-------|-------|------------|------------|------------|-------|
| | | | | 1903K | 2903K | 4403K/C3KA | 5203K/C3KA | 4003K/C3KA | 3000C |
| - | - | Kabinet, kompl. Cabinet, compl. Gehäuse, kompl. Capot, compl. | | x | x | x | x | x | x |
| 1 | 6101428 | Kabinet, ALTO Cabinet Gehäuse Capot | | 1 | 1 | 1 | 1 | 1 | 1 |
| 2 | - | Logo, ALTO Logo Logo Logo | | 2 | 2 | 2 | 2 | 2 | 2 |
| - | 6100203 | 4003K | | | | 2 | | | |
| - | 6100206 | 40C3KA | | | | 2 | | | |
| - | 6100200 | 4403K | | | | 2 | | | |
| - | 6100202 | 4403KR | | | | 2 | | | |
| - | 6100208 | 44C3K | | | | 2 | | | |
| - | 6100210 | 44C3KR | | | | 2 | | | |
| - | 6100204 | 4403KA | | | | 2 | | | |
| - | 6100207 | 4403KRA | | | | 2 | | | |
| - | 6100209 | 44C3KA | | | | 2 | | | |
| - | 6100212 | 44C3KRA | | | | 2 | | | |
| - | 6100201 | 5203K | | | | | 2 | | |
| - | 6100211 | 52C3K | | | | | 2 | | |
| - | 6100205 | 52C3KA | | | | | 2 | | |
| 4 | 1803592 | Skrue Screw Schraube Vis | | 2 | 2 | 2 | 2 | 2 | 2 |
| 4 | 1804228 | Skrue, RF Screw, SS Schraube, RF Vis, INOX | | 2 | 2 | 2 | 2 | 2 | 2 |
| 5 | 6100184 | Symbol f. vandmængdereg. Label, water capacity reg. Aufkleber, Wassermengen. Autocallant, réglage débit | | 1 | 1 | 1 | 1 | 1 | 1 |
| 6 | 6155913 | ALTO logo ALTO logo ALTO logo ALTO logo | | | | 2 | 2 | 2 | |
| 7 | 6155914 | KEW TECHNOLOGY logo KEW TECHNOLOGY logo KEW TECHNOLOGY logo KEW TECHNOLOGY logo | | | | 2 | 2 | 2 | |
| 7 | 6100217 | Wap KEW TECHNOLOGIES logo Wap KEW TECHNOLOGIES logo Wap KEW TECHNOLOGIES logo Wap KEW TECHNOLOGIES logo | | | | 2 | 2 | 2 | |
| 8 | 6100216 | Wap ALTO GROUP logo Wap ALTO GROUP logo Wap ALTO GROUP logo Wap ALTO GROUP logo | | | | 2 | 2 | 2 | |
| 9 | 6124578 | Advarselslabel Warning label Warnaufkleber Autocollant d'avertissement | | 1 | 1 | 1 | 1 | 1 | 1 |
| - | 4200457 | Advarselsskilt Warning sticker Warnaufkleber Plage de bord | f. SF | | | | | | |

| Pos. Ref. | Nr. No. | Betegnelse Bezeichnung | Designation Désignation | | | | | | |
|-----------|---------|--|----------------------------|-------|-------|------------|------------|------------|-------|
| | | | | 1903K | 2903K | 4403K/C3KA | 5203K/C3KA | 4003K/C3KA | 3000C |
| 10 | - | Instruktionsbog Instructionmanual Betriebsanleitung Livret d'instructions | Wap KEW TECHNOLOGIES | | | | | | |
| - | 6109218 | DK, N, S, SF | 03K | x | x | x | x | x | |
| - | 6109219 | GB,D,F,NL,E,P,I,GR | 03K | x | x | x | x | x | |
| - | 6109400 | DK, N, S, SF | C3KA | | | x | x | x | |
| - | 6109401 | GB,D,F,NL,E,P,I,GR | C3KA | | | x | x | x | |
| - | 6109410 | USA | 03K,C3KA, 3000C | x | x | x | x | x | x |
| 10 | - | Instruktionsbog Instructionmanual Betriebsanleitung Livret d'instructions | Wap ALTO GROUP | | | | | | |
| - | 6109402 | GB,D,F,NL,E,P,I,GR | C3KA | | | x | x | x | |
| - | 7189014 | Tillæg / appendix / Anhang / Annexe | | | | x | x | x | |

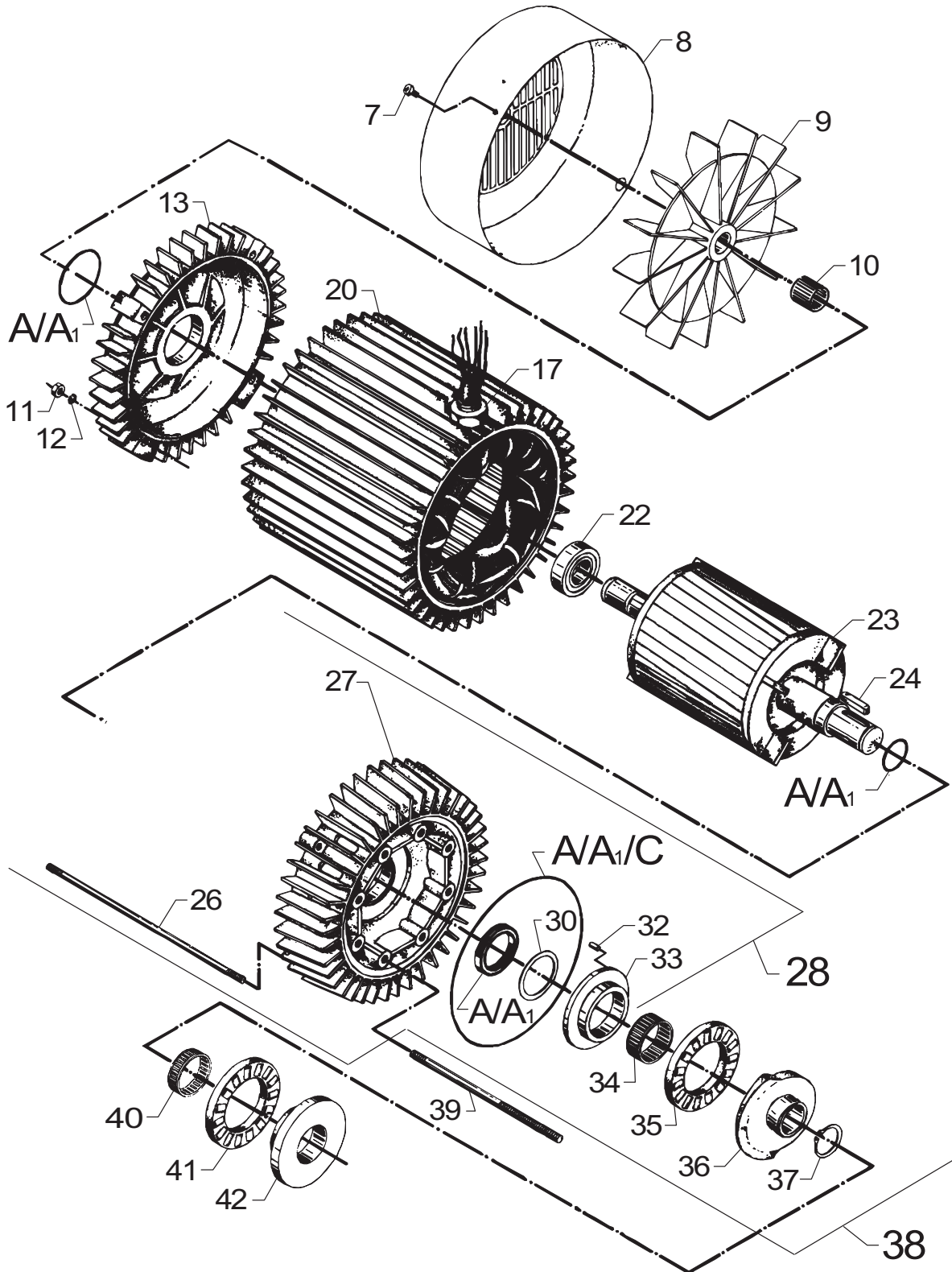


| Pos. Ref. | Nr. No. | Betegnelse Bezeichnung | Designation Désignation | 1903K | 2903K | 4403K/C3KA | 5203K/C3KA | 4003K/C3KA | 3000C |
|-----------|---------|---|----------------------------|--|-------|------------|------------|------------|-------|
| | | | | | | | | | |
| - | - | Motorp.enhed mont. i stel Motor/pump unit mont. in chas.x Motorp.körper mont. in R. Unité de moteur/pompe | | x | x | x | x | x | |
| 1 | - | Motorpumpeenhed, komp. Motor/pump unit, compl. Motorpumpenkörper Corps de moteur/pompe | | Se side 10 See page 10 SieheSeite 10 Voir page 10 | | | | | |
| 2 | - | Stel, kompl. Chassis, compl. Rahmen, kompl. Châssis, compl. | | Se side 8 See page 8 SieheSeite 8 Voir page 8 | | | | | |
| 3 | 1801968 | Stjerneskive Washer Scheibe Rondelle | M10 | 4 | 4 | 4 | 4 | 4 | 4 |
| 4 | 1802651 | Taptite skrue Taptite screw Taptite-Schraube VisTaptite | | 4 | 4 | 4 | 4 | 4 | 4 |
| 6 | 6101625 | Slamglaslåg Cover f. sludge container Deckel f. Schlammglas Couvercle, resv. d'huile use | | 1 | 1 | 1 | 1 | 1 | 1 |
| 7 | 2200467 | Slamglas Sludge container Schlammglas Reservoir d'huile usée | | 1 | 1 | 1 | 1 | 1 | 1 |
| 8 | 3601262 | Manometer Pressure gauge Manometer Manomètre | | 1 | 1 | 1 | 1 | 1 | 1 |
| 9 | 1602127 | Manometerring Ring for pressure gauge Manometerring Anneau de manomètre | | 1 | 1 | 1 | 1 | 1 | 1 |
| 10 | 1808088 | Spændestykke f. manometer Clamp f. pressure gauge Spannstück f. Manometer Pièce de serrage | | 1 | 1 | 1 | 1 | 1 | 1 |
| 11 | 6220678 | Manometertilslutning Manometer connection Manometeranschluß Raccord p. manomètre | | 1 | 1 | 1 | 1 | 1 | 1 |
| 12 | 1602945 | Lynkobling, kompl. Quick coupling, compl. Schnellkupplung, Kompl. Coupleur rapide, compl. | | x | x | x | x | x | x |
| 13 | 3001237 | Pakning Gasket Dichtung Joint | | 1 | 1 | 1 | 1 | 1 | 1 |
| 14 | 3000320 | O-ring O-ring O-Ring Joint torique | | 1 | 1 | 1 | 1 | 1 | 1 |
| 15 | 1600659 | Lynkoblingsnippel, 3/4" Quick coupling nipple, 13/4" Schnellkupplungsnippel, 3/4" Coupleur rapide mâle, 3/4" | | 1 | 1 | 1 | 1 | 1 | 1 |
| - | 1602473 | Lynkoblingsnippel, 5/8" Quick coupl. nipple, 5/8" CH Schnellkupplungsnippel, 5/8" Coupleur rapide mâle, 5/8" | | 1 | 1 | 1 | 1 | 1 | 1 |
| - | 1605955 | Lynkoblingsnippel Quick coupl. nipple USA Schnellkupplungsnippel Coupleur rapide mâle | | 1 | 1 | 1 | 1 | 1 | 1 |
| 16 | 1311 | Geka koblingsnippel 3/4" Geka-coupling nipple 3/4" WAP Geka-Schlauchtülle 3/4" Coupleur mâle Geka 3/4" | | | | 1 | 1 | 1 | |
| 17 | 1718 | Geka kopling 3/4" Geka-threaded piece 3/4" WAP Geka-Gewindestück 3/4" Coupleur Geka 3/4" | | | | 1 | 1 | 1 | |
| 18 | 6502 | Pakning for Geka kobling Packing for Geka coupling WAP Dichtung für Geka-Kupplung Joint pour coupleur Geka | | | | 2 | 2 | 2 | |

| Pos. Ref. | Nr. No. | Betegnelse Bezeichnung | Designation Désignation | 1903K | 2903K | 4403K/C3KA | 5203K/C3KA | 4003K/C3KA | 3000C |
|-----------|---------|---|----------------------------|-------|-------|------------|------------|------------|-------|
| | | | | | | | | | |
| 20 | 2201854 | Låg Cover Deckel Couvercle | | 1 | 1 | 1 | 1 | 1 | 1 |
| 21 | 2200285 | Olieglas Oil container Ölbehälter Reservoir d'huile | | 1 | 1 | 1 | 1 | 1 | 1 |
| 22 | 2200293 | Studs Socket Stutzen Raccord | | 1 | 1 | 1 | 1 | 1 | 1 |
| 23 | 3000361 | Kobberskive Copper washer Kupferscheibe Rondelle en cuivre | | 1 | 1 | 1 | 1 | 1 | 1 |
| 30 | - | Vandtilgang, kompl. Water, inlet, compl. Einlaß f. Wasser, Kompl. Tube d'admission, compl. | | x | x | x | x | x | x |
| 31 | 6100941 | Filter Filter Filter Filtre | | 1 | 1 | 1 | 1 | 1 | 1 |
| 32 | 1800341 | Kontramøtrik Lock nut Gegenmutter Contre écrou | | 1 | 1 | 1 | 1 | 1 | 1 |
| 33 | 6100937 | Filterhus Housing f. filter Filtergehäuse Gaine de filtre d'eau | | 1 | 1 | 1 | 1 | 1 | 1 |
| 33 | 6101094 | Filterhus, messing Housing f. filter, brass Filtergehäuse, Messing Gaine de filtre d'eau, laiton | | 1 | 1 | 1 | 1 | 1 | 1 |
| 34 | 1802107 | Spændebånd Hose clip Schlauchschele Collier de serrage | | 2 | 2 | 2 | 2 | 2 | 2 |
| 35 | 6101405 | Slange Hose Schlauch Tuyau | | 1 | 1 | 1 | 1 | 1 | 1 |



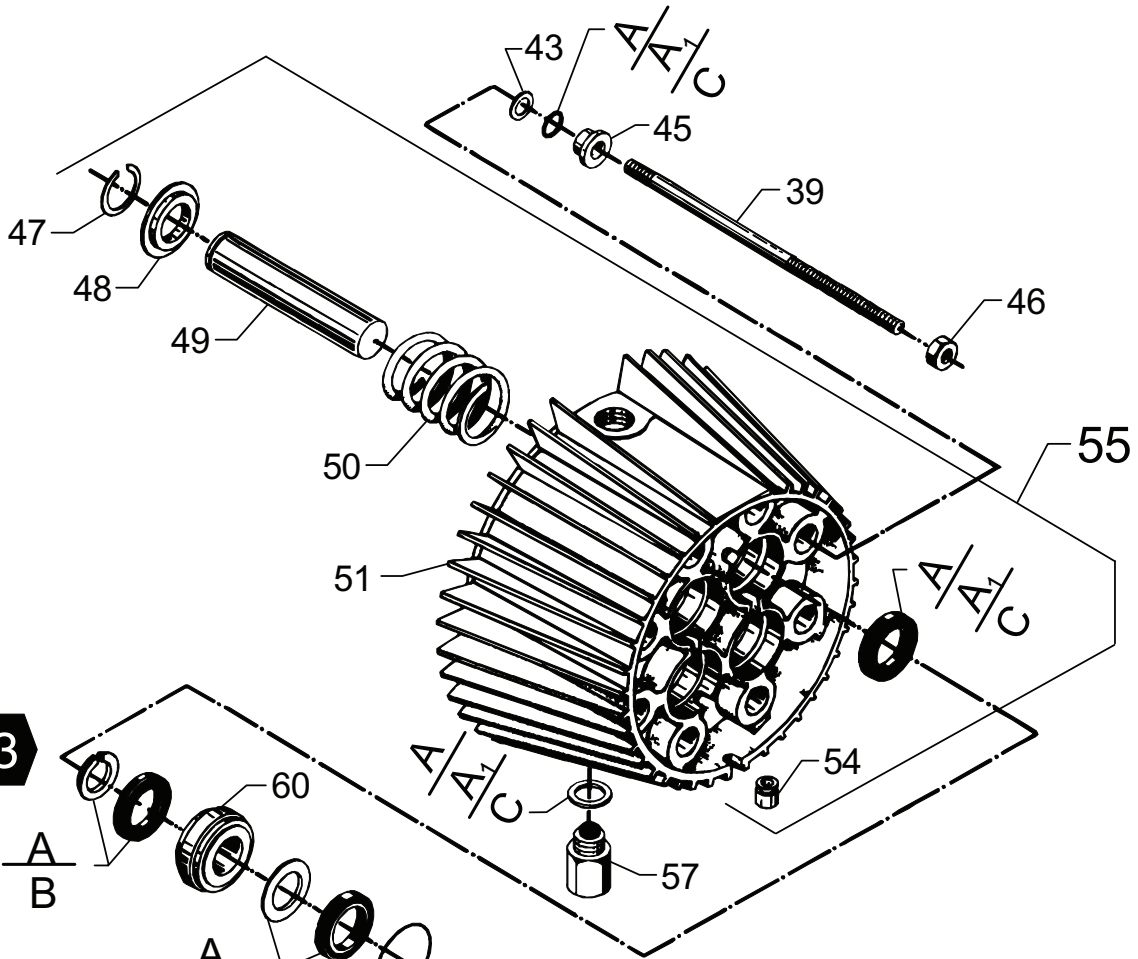
| | |
|----------------|---------|
| A | 6109046 |
| A ₁ | 1119570 |
| A ₂ | 1119568 |
| B | 1119035 |
| B ₁ | 1119571 |
| C | 1119820 |
| D | 1119310 |
| D | 1119195 |
| E | 1118538 |
| F | 1118520 |
| F | 1118580 |
| F | 1119315 |
| G | 1118512 |



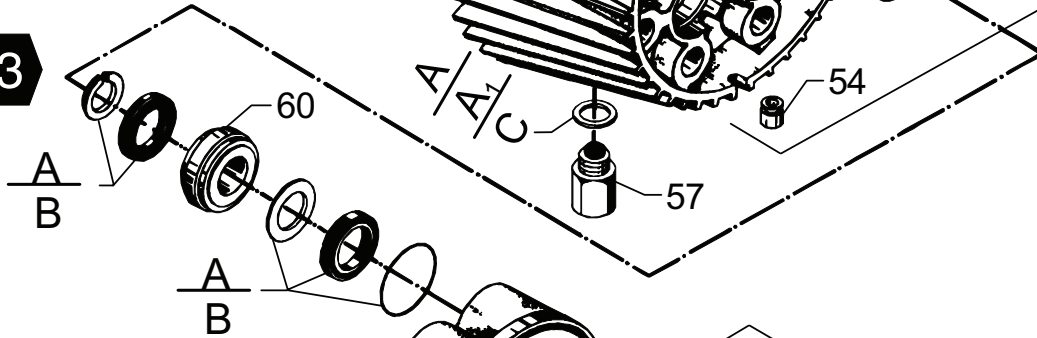
| Pos. Ref. | Nr. No. | Betegnelse Bezeichnung | Designation Désignation | 1903K | 2903K | 4403K/C3KA | 5203K/C3KA | 4003K/C3KA | 3000C |
|-----------|---------|--|----------------------------|-------|-------|------------|------------|------------|-------|
| - | - | Motorpumpeenhed, komp. Motor/pump unit, compl. Motorpumpenkörper, Corps de moteur/pompe | | x | x | x | x | x | x |
| 7 | 1802586 | Skrue Screw Schraube Vis | | 2 | 2 | 2 | 2 | 2 | 2 |
| 8 | 6100609 | Ventilatorskærm Fan guard Ventilatorschutzblech Capot ventilateur | | 1 | 1 | 1 | 1 | 1 | 1 |
| 9 | 6100605 | Ventilator Fan Ventilator Ventilateur | | 1 | 1 | 1 | 1 | 1 | 1 |
| 10 | 1802503 | Låsering Circlip Schließring Circlip | | 1 | 1 | 1 | 1 | 1 | 1 |
| 11 | 1803725 | Møtrik Nut Mutter Ecrou | | 4 | 4 | 4 | 4 | 4 | 4 |
| 12 | 1801182 | Fjederskive Spring washer Federscheibe Rondelle ressort | | 4 | 4 | 4 | 4 | 4 | 4 |
| 13 | 6100611 | N-lejedæksel Rear bearing cover N-Lagerdeckel AR-flasque de carter | | 1 | 1 | 1 | 1 | 1 | 1 |
| 17 | 6101414 | Bøsning Bush Buchse Baque | | 1 | 1 | 1 | 1 | 1 | 1 |
| 20 | - | Stator med statorhus Stator with stator housing Stator mit Statorgehäuse Stator a. enveloppe de stat. | | | | | | | |
| - | 6100810 | 2.4kW, 50Hz, 1x110V | | 1 | | | | | |
| - | 6100814 | 3.7kW, 50Hz, 3x415V | | | 1 | | | | |
| - | 6100815 | 3.7kW, 50Hz, 3x220/380V | | | 1 | | | | |
| - | 6100819 | 3.7kW, 50Hz, 3x200/340V | | | 1 | | | | |
| - | 6100835 | 3.7kW, 60Hz, 1x208/230V | | | 1 | | | | |
| - | 6100823 | 5.5kW, 50Hz, 3x380/660V | | | | 1 | | | |
| - | 6100824 | 5.5kW, 50Hz, 3x415V | | | | 1 | | | |
| - | 6100825 | 5.5kW, 50Hz, 3x220/380V | | | | 1 | | | |
| - | 6100829 | 5.5 kW, 50Hz, 3 x 200-340 V | | | | 1 | | | |
| - | 6100840 | 6.5kW, 50Hz, 3x415V | | | | | 1 | | |
| - | 6100841 | 6.5kW, 50Hz, 3x220/380V | | | | | 1 | | 1 |
| - | 6100845 | 6.5kW, 50Hz, 3x200/340V | | | | | | 1 | |
| - | 6100847 | 6.5kW, 50Hz, 3x500V | | | | | | 1 | |
| - | 6100850 | 5.5kW, 50Hz, 1x208/230V | | | | | | | 1 |
| 22 | 3200623 | N-leje Rear bearing N-Lager AR-roulement | | 1 | 1 | 1 | 1 | 1 | 1 |
| 23 | - | Aksel m. rotor Shaft w. rotor Welle m. Rotor Rotor | | | | | | | |
| - | 6101002 | Shaft w. 130mm rotor, 3.7kW | | 1 | | | | | |
| - | 6100997 | Shaft w. 130mm rotor, 3.7 kW | | | 1 | | | | |
| - | 6100998 | Shaft w. 145mm rotor, 5.5 kW | | | | 1 | | | |
| - | 6100999 | Shaft w. 155mm rotor, 3.7kW | | 1 | | | | | |
| - | 6101000 | Shaft w. 170mm rotor, 6.5kW | | | | | 1 | | 1 |
| - | 6101001 | Shaft w. 190mm rotor, 5.0kW | | | | | | 1 | |
| 24 | 3200672 | Feder Key Federkeil Clavette | | 1 | 1 | 1 | 1 | 1 | 1 |
| 26 | 6100711 | Stagbolt L=261mm Stud Stehbolzen Entretoise | | 4 | 4 | 4 | | | 4 |

| Pos. Ref. | Nr. No. | Betegnelse Bezeichnung | Designation Désignation | 1903K | 2903K | 4403K/C3KA | 5203K/C3KA | 4003K/C3KA | 3000C |
|----------------------|----------------|---|----------------------------|----------|----------|------------|------------|------------|----------|
| 26 | 6100712 | Stagbolt L=306mm Stud Stehbolzen Entretoise | | | | | | 4 | 4 |
| 27 | 6101749 | D-lejedæksel Front bearing cover D-Lagerdeckel AV-flasque de carter | | 1 | 1 | 1 | 1 | 1 | 1 |
| 28 | 6101750 | D-lejedæksel, komplet Front bearing cover, compl. D-Lagerdeckel, komplett AV-flasque de carter, compl. | | x | x | x | x | x | x |
| 30 | 6100995 | Skive Washer Scheibe Rondelle | | 1 | 1 | 1 | 1 | 1 | 1 |
| 32 | 6100996 | Styrestift Guide pin Kegelstift Goupille | | 1 | 1 | 1 | 1 | 1 | 1 |
| 33 | 107120703 | Lejeskive tynd Bearing track thin Lagerscheibe Dünn Rondelle de palier mince | | 1 | 1 | 1 | 1 | 1 | 1 |
| 34 | 3200656 | Nåleleje Needle bearing Nadellager Roulement à aiguille | | 1 | 1 | 1 | 1 | 1 | 1 |
| 35 | 3200615 | Rulleleje Roller bearing Rollenlager Roulement | | 1 | 1 | 1 | 1 | 1 | 1 |
| 36 | - | Skråskive Wobble disc Taumelscheibe Disque oblique | | | | | | | |
| - | 107120705 | 1 | 2.4kW, 50/60 Hz | 1 | | | | | |
| - | 107120707 | 3 | 3.7kW, 60 Hz | | 1 | | | | 1 |
| - | 107120708 | 4 | 5.0kW, 60 Hz | | | | 1 | | |
| - | 107120708 | 4 | 5.5kW, 60 Hz | | | 1 | | | |
| - | 107120710 | 6 | 3.7kW, 50 Hz | | 1 | | | | |
| - | 107120710 | 6 | 6.5kW, 60 Hz | | | | 1 | | |
| - | 107120715 | 11 | 5.5kW, 50 Hz | | | 1 | | | |
| - | 107120716 | 12 | 6.5kW, 50 Hz | | | | 1 | | |
| 37 | 1802511 | Seegerring Seeger circlip ring Seeger-Ring Anneau Seeger | | | | | | | |
| | | | | | | | | | |
| 38 | - | Motor, komplet Motor, complete Motor, komplett Moteur, compl. | | | | | | | |
| 39 | 6100710 | Stagbolt Stud Stehbolzen Entretoise | | 8 | 8 | 8 | 8 | 8 | 8 |
| 39 | 6301368 | Stagbolt Stud Stehbolzen Entretoise | C3 | | | 8 | 8 | 8 | 8 |
| 40 | 3200664 | Nåleleje Needle bearing Nadellager Roulement à aiguille | | 1 | 1 | 1 | 1 | 1 | 1 |
| 41 | 3200615 | Aksialrulleleje Axial roller bearing Axialrollenlager Roulement | | 1 | 1 | 1 | 1 | 1 | 1 |
| 42 | 107120704 | Lejeskive Bearing track Lagerscheibe Plaque de palier | | 1 | 1 | 1 | 1 | 1 | 1 |
| A | 6109046 | Rep.sæt, pakninger Rep.kit, gaskets Rep.satz, Dichtungen Kit de joints | 03K | x | x | x | x | x | x |
| A₁ | 1119570 | Rep.sæt, pakninger Rep.kit, gaskets Rep.satz, Dichtungen Kit de joints | C3 | | | x | x | x | x |

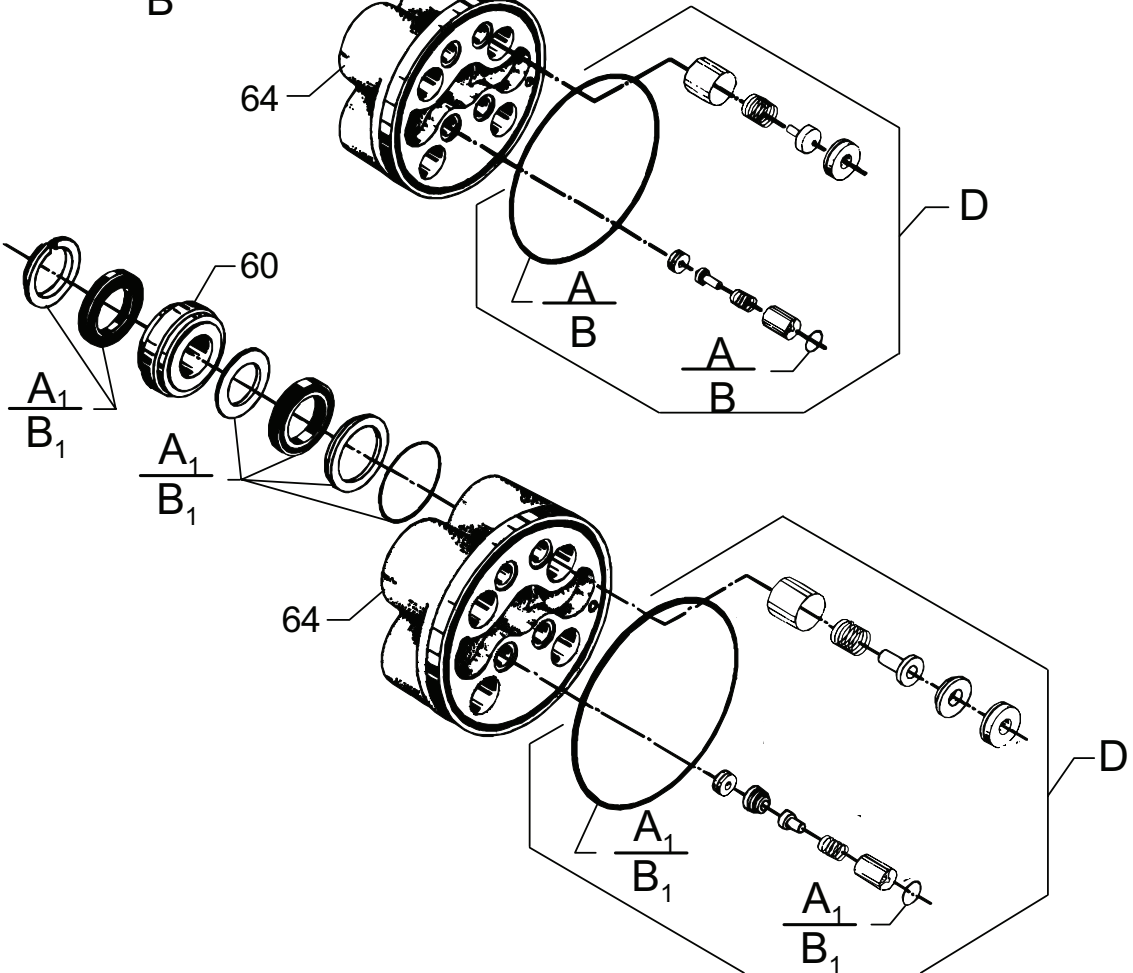
- A 6109046
- A₁ 1119570
- A₂ 1119568
- B 1119035
- B₁ 1119571
- C 1119820
- D 1119310
- D 1119195
- E 1118538
- F 1118520
- F 1118580
- F 1119315
- G 1118512



03



C3



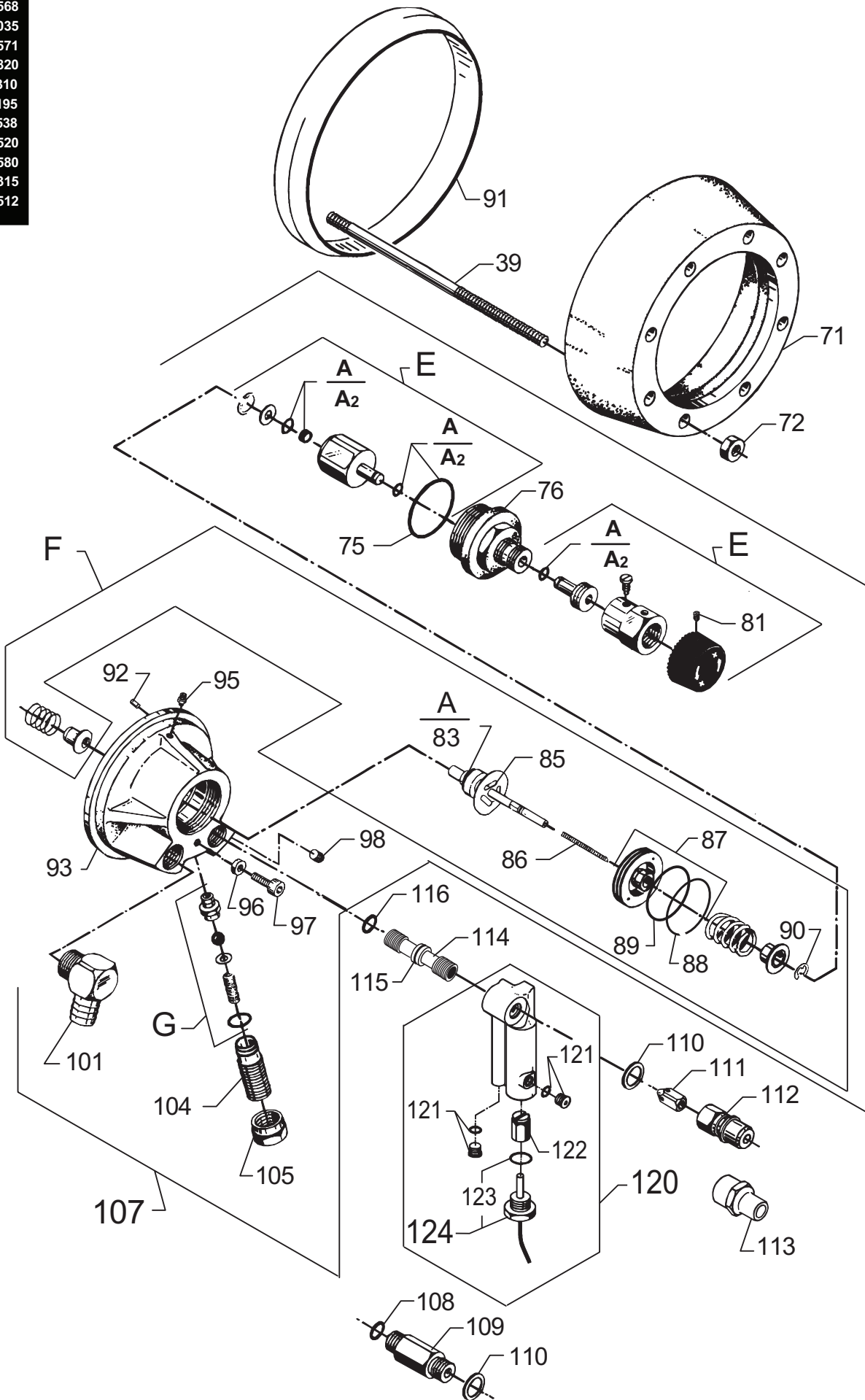
203mp020

598 64 99 - 020302

| Pos. Ref. | Nr. No. | Betegnelse Bezeichnung | Designation Désignation | 1903K | 2903K | 4403K/C3KA | 5203K/C3KA | 4003K/C3KA | 3000C |
|-----------|-----------|---|----------------------------|-------|-------|------------|------------|------------|-------|
| | | | | | | | | | |
| 43 | 6100718 | Skive Washer Scheibe Rondelle | | 8 | 8 | 8 | 8 | 8 | 8 |
| 45 | 6100719 | Trykring Thrust collar Druckring Anneau d'arrêt | | 8 | 8 | 8 | 8 | 8 | 8 |
| 46 | 1800465 | Møtrik M10 Nut Mutter Ecrou | | 8 | 8 | 8 | 8 | 8 | 8 |
| 47 | 1802529 | Låsering Circlip Schließring Anneau | | 4 | 4 | 4 | 4 | 4 | 4 |
| 48 | 6100666 | Ring til returfjeder Ring for return spring Ring für Rückzugfeder Anneau p. ressort de rap. | | 4 | 4 | 4 | 4 | 4 | 4 |
| 49 | 6100901 | Stempel Piston Druckkolben Piston | | 4 | 4 | 4 | 4 | 4 | |
| 49 | 6301166 | Keramisk stempel Piston ceramic Keramischer Druckkolben Piston ceramique | C3 | | | 4 | 4 | 4 | 4 |
| 50 | 2602274 | Returfjeder Return spring Rückzugfeder Ressort de rappel | | 4 | 4 | 4 | 4 | 4 | |
| 50 | 102602517 | Returfjeder Return spring Rückzugfeder Ressort de rappel | C3 | | | 4 | 4 | 4 | 4 |
| 51 | 6100610 | Cylinderblok Cylinder block Zylinderblock Carter-cylindre | | 1 | 1 | 1 | 1 | 1 | 1 |
| 54 | 6100919 | Dryptud Drip nozzle Tropfendüse Tuyau d'égouttage | | 1 | 1 | 1 | 1 | 1 | 1 |
| 55 | 6101702 | Cylinderblok, komplet Cylinder block, complete Zylinderblock, komplett Carter-cylindre, compl. | | x | x | x | x | x | |
| 55 | 6300071 | Cylinderblok, komplet Cylinder block, compl. Zylinderblock, komplett Carter-cylindre, compl. | C3 | | | x | x | x | x |
| 57 | 6150400 | Bundprop Drain plug Verschlußpropfen Bouchon de vidange | | 1 | 1 | 1 | 1 | 1 | 1 |
| 60 | 6100631 | Trykring Thrust collar Druckring Anneau d'arrêt | | 4 | 4 | 4 | 4 | 4 | |
| 60 | 6301313 | Trykring Thrust collar Druckring Anneau d'arrêt | C3 | | | 4 | 4 | 4 | 4 |
| 64 | 6100907 | Topstykke Cylinder head Zylinderkopf Culasse | | 1 | 1 | 1 | 1 | 1 | |
| 64 | 6301335 | Topstykke Cylinder head Zylinderkopf Culasse | C3 | | | 1 | 1 | 1 | 1 |

| Pos. Ref. | Nr. No. | Betegnelse Bezeichnung | Designation Désignation | 1903K | 2903K | 4403K/C3KA | 5203K/C3KA | 4003K/C3KA | 3000C |
|----------------|---------|--|----------------------------|-------|-------|------------|------------|------------|-------|
| | | | | | | | | | |
| B | 1119035 | Rep.sæt, pakninger (red.) Rep.kit, gaskets (reduced) Rep.satz, Dichtungen (red.) Kit de joints (réduit) | 03K | x | x | x | x | x | |
| B ₁ | 1119571 | Rep.sæt, pakninger (red.) Rep.kit, gaskets (red.) Rep.satz, Dichtungen (red.) Kit de joints (réduit) | C3 | | | x | x | x | x |
| C | 1119820 | Rep.sæt, olietætning Rep.kit, oil seal Rep.satz, Öldichtung Kit de joint étanche à l'huile | | x | x | x | x | x | x |
| D | 1119310 | Rep.sæt, ventilsystem Rep.kit, valve system Rep.satz, Ventilsystem Kit, système de soupape | 03 | x | x | x | x | x | |
| D ₁ | 1119195 | Rep.sæt, ventilsystem Rep.kit, valve system Rep.satz, Ventilsystem Kit, systè me de soupape | C3 | | | x | x | x | x |
| D ₂ | 6300080 | Ventil, komplet - sug Valve, compl. - suction Ventil, komplett - Ansaug Soupape, compl. - asp. | C3 | | | 4 | 4 | 4 | 4 |
| D ₃ | 6300079 | Ventil, komplet - tryk Valve, compl. -pressure Ventil, komplett - Druck Soupape, compl. -pression | C3 | | | 4 | 4 | 4 | 4 |

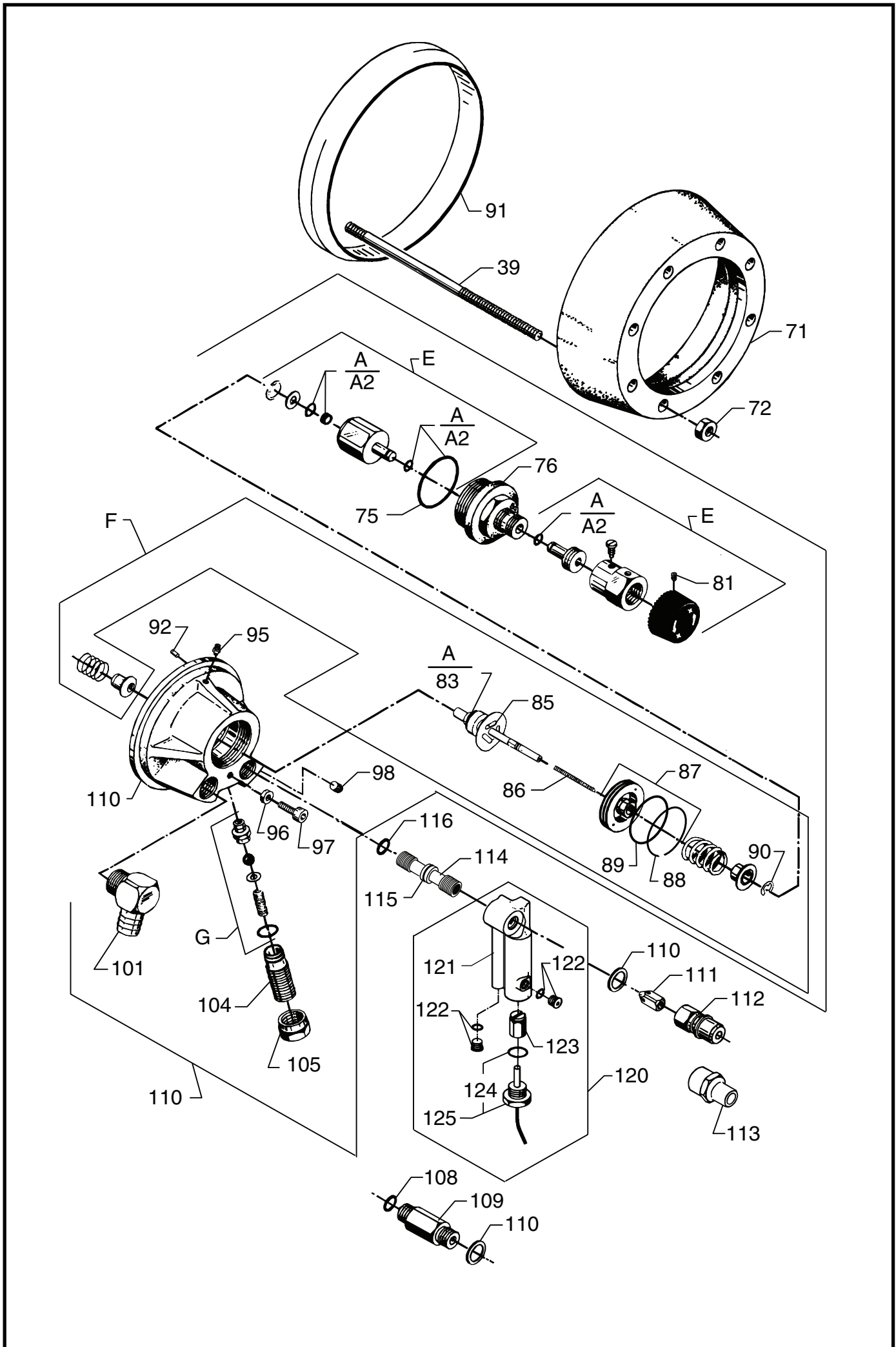
- A 6109046
- A₁ 1119570
- A₂ 1119568
- B 1119035
- B₁ 1119571
- C 1119820
- D 1119310
- D 1119195
- E 1118538
- F 1118520
- F 1118580
- F 1119315
- G 1118512



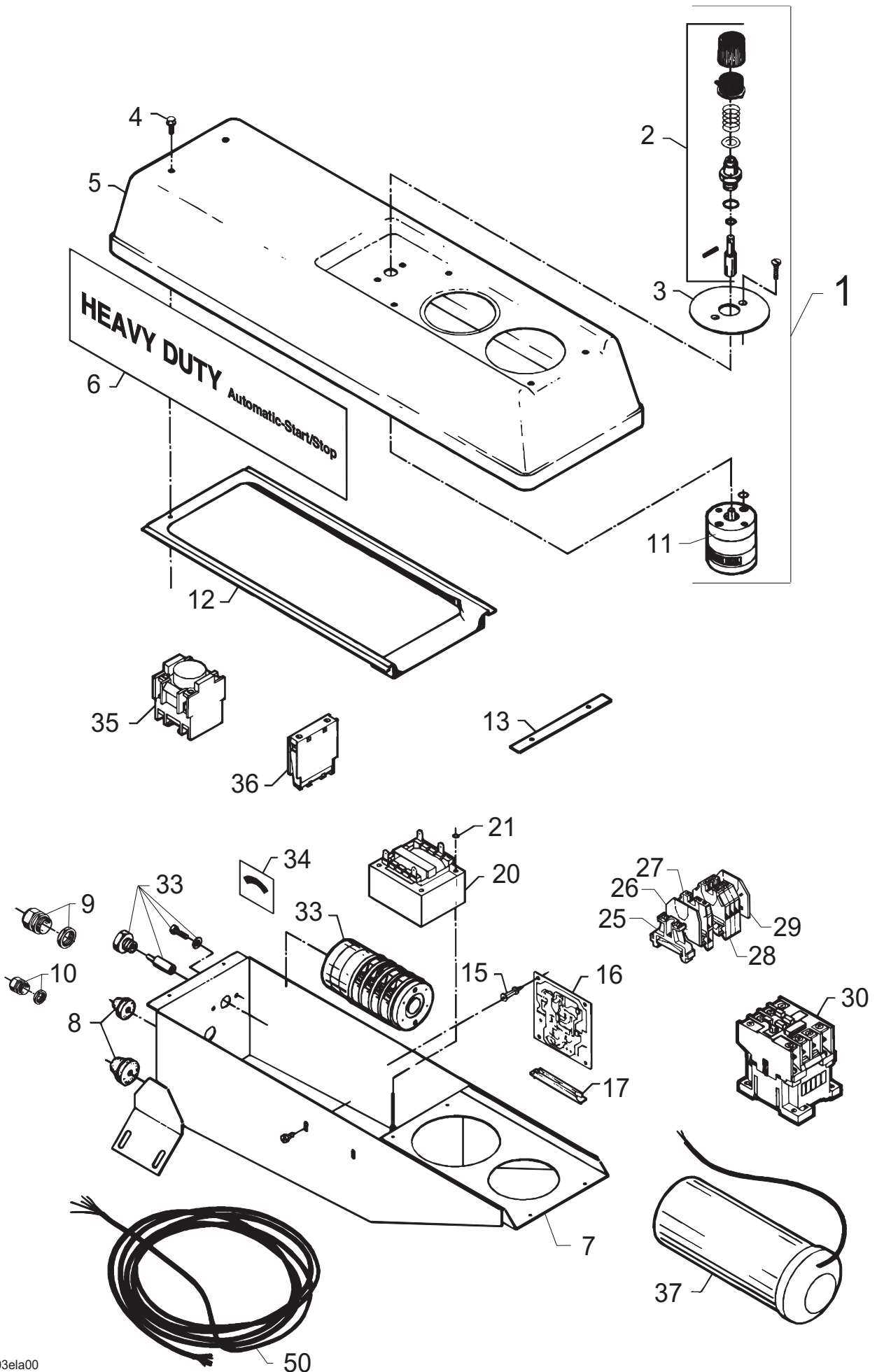
203mp030

| Pos. Ref. | Nr. No. | Betegnelse Bezeichnung | Designation Désignation | 1903K | 2903K | 4403K/C3KA | 5203K/C3KA | 4003K/C3KA | 3000C |
|----------------|----------------------------------|--|----------------------------|-------|-------|------------|------------|------------|-------|
| | | | | | | | | | |
| 71 | 6100602 | Spændering Retaining ring Spanning Flaque AV pompe | | 1 | 1 | 1 | 1 | 1 | 1 |
| 72 | 1800465 | Møtrik M10 Nut Mutter Ecrou | | 8 | 8 | 8 | 8 | 8 | 8 |
| 75 | 3001179 | O-ring O-ring O-Ring Joint torique | | 1 | 1 | 1 | 1 | 1 | 1 |
| 76 | 6100984 | Bøsning Bushing Buchse Manchon | | 1 | 1 | 1 | 1 | 1 | 1 |
| 81 | 1802602 | Kraterskrue Crater-point screw Kraterschraube Vis | | 1 | 1 | 1 | 1 | 1 | 1 |
| 83 | 3000460 | O-ring O-ring O-Ring Joint torique | | 1 | 1 | 1 | 1 | 1 | 1 |
| 85 - | 6101784 6400143 | Ventilkegle, komplet Valve cone, complete Ventil kegel, komplett Cône p. clapet, compl. | K KA | 1 | 1 | 1 | 1 | 1 | 1 |
| 86 | 2600286 | Fjeder Spring Feder Ressort | | 1 | 1 | 1 | 1 | 1 | 1 |
| 87 | 6100925 | Stempel, kompl. Piston, compl. Kolben, komplett Piston, compl. | | 1 | 1 | 1 | 1 | 1 | |
| 87 | 6228554 | Stempel, kompl. Piston, compl. Kolben, komplett Piston, compl. | 3000C | | | | | | 1 |
| 88 | 6101061 | Stempelring Piston ring Kolbenring Anneau piston | | 1 | 1 | 1 | 1 | 1 | 1 |
| 89 | 3001716 | O-ring O-ring O-Ring Joint torique | | 1 | 1 | 1 | 1 | 1 | 1 |
| 90 | 6101069 | Seegerring Seeger circlip ring Seeger-Ring Anneau Seeger | | 1 | 1 | 1 | 1 | 1 | 1 |
| 91 | 6301392 | Ring Ring ø 160 Ring Anneau | C3 | | | 1 | 1 | 1 | 1 |
| 92 | 6100996 | Styrestift Guide pin Kegelstift Goupille | | 1 | 1 | 1 | 1 | 1 | 1 |
| 93 | 6101042 | Ventildæksel Valve cover Ventildeckel Corp by-pass | | 1 | 1 | 1 | 1 | 1 | 1 |
| 95 | 1603422 | Ligeforskruning Threaded connection Verschraubung Raccord fileté | | 1 | 1 | 1 | 1 | 1 | 1 |
| 96 | 6100985 | Låseskive Lock washer Haltescheibe Disque de blocage | | 1 | 1 | 1 | 1 | 1 | 1 |
| 97 | 1802636 | Skrue Screw Schraube Vis | | 1 | 1 | 1 | 1 | 1 | 1 |
| 98 | 1602333 | Rørprop Pipe plug Rohrschlußstück Bouchon de tuyau | | 2 | 2 | 2 | 2 | 2 | 2 |

| Pos. Ref. | Nr. No. | Betegnelse Bezeichnung | Designation Désignation | 1903K | 2903K | 4403K/C3KA | 5203K/C3KA | 4003K/C3KA | 3000C |
|----------------------|----------------|--|----------------------------|-------|-------|------------|------------|------------|-------|
| | | | | | | | | | |
| 101 | 6101752 | Slangestuds, vinkel Hose socket, elbow Schlauchstutzen, Winkel Raccord de flexible, coude | | 1 | 1 | 1 | 1 | 1 | 1 |
| 104 | 6100940 | Justerskrue Adjustment screw Justierschraube Vis de réglage | | 1 | 1 | 1 | 1 | 1 | 1 |
| 105 | 6100928 | Kontramøtrik Lock nut Gegenmutter Ecrou contre | | 1 | 1 | 1 | 1 | 1 | 1 |
| 107 | 6101753 | Omløbsventil, komplet By-pass valve, compl. Umlaufventil, komplett Soupape by-pass, compl. | | x | x | x | x | x | |
| - | 6104740 | Omløbsventil, komplet By-pass valve, compl. Umlaufventil, komplett Soupape by-pass, compl. | | | | | | | x |
| 108 | 3000064 | O-ring O-ring O-Ring Joint torique | | 1 | 1 | 1 | 1 | 1 | 1 |
| 109 | 6101018 | Studs f. lynkobling Socket f. quick coupling Stutzen f. Schnellkupplung Raccord rapide | | 1 | 1 | 1 | 1 | 1 | 1 |
| 110 | 1801075 | Tætningsskive Sealing washer Anschleißscheibe Rondelle | | 1 | 1 | 1 | 1 | 1 | 1 |
| 111 | 6101038 | Stempel-kontraventil Piston-non return valve Kolben-rückschlagventil | K | 1 | 1 | 1 | 1 | 1 | 1 |
| - | 6101083 | Piston clapet anti-retour | KA | | | 1 | 1 | 1 | |
| 112 | 1600493 | Lynkoblingsnippel Quick coupling nipple Schnellkupplungsnippel Raccord rapide mâle | | 1 | 1 | 1 | 1 | 1 | 1 |
| 112 | 1603101 | Lynkoblingsnippel, RF Quick coupling nipple, SS Schnellkupplungsnippel,RF Raccord rapide mâle, INOX | | 1 | 1 | 1 | 1 | 1 | 1 |
| 113 | 1609335 | Konverter (højtryk) Converter (high pressure) WAP Konverter (Hochdruck) Convertisseur (haute pression) | | | | 1 | 1 | 1 | |
| 114 | 6400712 | Bøsning Bush Busche Baque | KA | | | 1 | 1 | 1 | |
| 115 | 3001682 | O-ring O-ring O-Ring Joint torique | KA | | | 1 | 1 | 1 | |
| 116 | 3001252 | O-ring O-ring O-Ring Joint torique | KA | | | 1 | 1 | 1 | |
| A₂ | 1119568 | Rep.sæt, pakninger f. omløb. Kit, gaskets f. by-pass v. C3 Rep.satz, Dichtungen f. Uml. Kit joints p. soupape by-pass | | | | x | x | x | x |
| E | 1118538 | Rep.sæt, greb f. omløbsven. Kit, adj. mechanism, by-pass Rep.satz, Justiereinrichtung Kit, bouton de soupape by-p. | | x | x | x | x | x | x |
| F | 1118520 | Rep.sæt, omløbsventil Rep.kit, by-pass valve Rep.satz, Umlaufventil | K | x | x | x | x | x | |
| - | 1118580 | Kit, soupape by-pass | KA | | | x | x | x | |
| F | 1119315 | Rep.sæt, omløbsventil Rep.kit, by-pass valve Rep.satz, Umlaufventil Kit, soupape by-pass | 3000C | | | | | | x |
| G | 1118512 | Rep.sæt, sikkerhedsventil Rep.kit, safety valve Rep.satz, Überdruckventil Kit, soupape de sûreté | | x | x | x | x | x | x |



El-dele / Electric parts / Elektrische Teile / Pièces électrique
C3KA

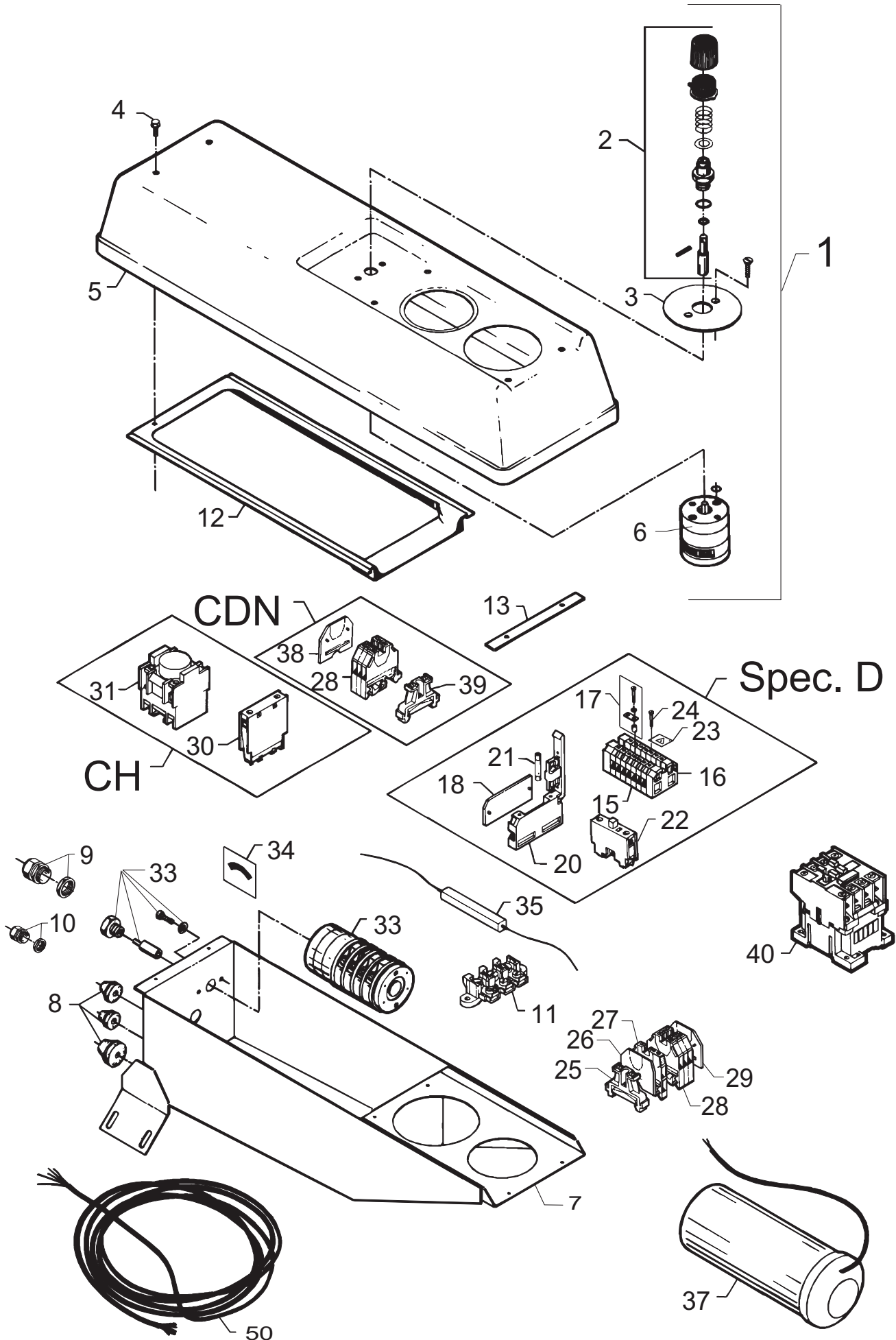


203ela00

| Pos. Ref. | Nr. No. | Betegnelse Bezeichnung | Designation Désignation | | | 44C3KA | 52C3KA | 40C3KA | |
|-----------|---------|--|----------------------------|--|--|--------|--------|--------|--|
| - | - | <i>El-dele</i> <i>El. components</i> C3KA <i>Electrische Teile</i> <i>Pièces électrique</i> | | | | | | | |
| 1 | 3821728 | Start/stop kontakt, kompl Start/stop switch, compl. Start/Stop Schalter, kompl. Bouton marche/arrêt, compl. | | | | x | x | x | |
| 2 | 1117357 | Drejekontakt, kompl. Adjusting knob, kompl. Drehschalter, kompl. Interrupteur à rotation | | | | 1 | 1 | 1 | |
| 3 | 6101010 | Skalaplade Dial plate Skalenplatte Echelle | | | | 1 | 1 | 1 | |
| 4 | 1803956 | Taptite skrue Taptite screw M4x12 Taptiteschraube Vis Taptite | | | | 6 | 6 | 6 | |
| 5 | 6101400 | Instrumentkasse, låg Instrument box, cover Instrumentengehäuse, Deckel Boîte à instrumente, couvercle | | | | 1 | 1 | 1 | |
| 5 | 6104404 | Instrumentkasse, låg Instrument box, cover Y/Δ Instrumentengehäuse, Deckel Boîte à instrumente, couvercle | | | | 1 | 1 | 1 | |
| 6 | 6104403 | Label Label Autokleber Autocollant | | | | 2 | 2 | 2 | |
| 7 | - | Instrumentkasse Instrument box Instrumentengehäuse Boîte à instrumente | | | | | | | |
| - | 6101656 | 24.09.99 ⇒ | | | | 1 | 1 | 1 | |
| - | 6104616 | ⇒ 23.09.99 | | | | 1 | 1 | 1 | |
| - | 6104617 | ⇒ 23.09.99 | Y/Δ | | | 1 | 1 | 1 | |
| 8 | - | Pakdåse Cable grommet Stopfbuchse Presse-étoupe | | | | | | | |
| - | 3803764 | TET 5 - 7C | | | | | | | |
| - | 3803772 | TET 7 - 10C | | | | | | | |
| - | 3803780 | TET 10 - 14C ⇒ 23.09.99 | | | | | | | |
| - | 3803798 | TET 14 - 20C ⇒ 23.09.99 | | | | | | | |
| 9 | 3830125 | Kabelgennemføring PG 21 Cable gland 24.09.99 ⇒ Kabeldurchführung Traversée | | | | 1 | 1 | 1 | |
| 10 | 3830124 | Kabelgennemføring PG 16 Cable gland 24.09.99 ⇒ Kabeldurchführung Traversée | | | | 1 | 1 | 1 | |
| 11 | 3821726 | Start/stop kontakt Start/stop switch Start/Stop Schalter Bouton marche/arrêt | | | | x | x | x | |
| 12 | 6100115 | Pakning f. instr. kasse Gasket f. instr. box Dichtung f. Instrumentengehäuse Joint p. boîte | | | | 1 | 1 | 1 | |
| 13 | 6100116 | Pakning Gasket Dichtung Joint | | | | 1 | 1 | 1 | |
| 15 | 4600771 | Printstag Plug f. circuit board Stecker f. Print Prise p. circuit imprimé | | | | 4 | 4 | 4 | |
| 16 | 6420012 | Automatisk start/stop Automatic start/stop Start/Stop Automatisk Marché/ arrêt auto. | | | | 1 | 1 | 1 | |

| Pos. Ref. | Nr. No. | Betegnelse Bezeichnung | Designation Désignation | | | 44C3KA | 52C3KA | 40C3KA | |
|-----------|---------|---|----------------------------|--|--|--------|--------|--------|--|
| 17 | 3821184 | Bæreskinne Connection rail Schiene Joint de courant | | | | 1 | 1 | 1 | |
| 20 | - | Styretransformer Control transformer 24V Steuerungstransformer Transformateur commande | | | | | | | |
| - | 3821147 | 200V Prim 1 | | | | | | | |
| - | 3821148 | 220V Prim 1 | | | | | | | |
| - | 3821149 | 380V Prim 1 | | | | | | | |
| - | 3821150 | 415V Prim 1 | | | | | | | |
| - | 3821151 | 440V Prim 1 | | | | | | | |
| - | 3821153 | 220-380V Prim 1-2 | | | | | | | |
| - | 3821154 | 220-440V Prim. 1-2 | | | | | | | |
| 21 | 1805563 | Låseskive Lock washer Scheibe Rondelle | | | | 2 | 2 | 2 | |
| 25 | 3812203 | Endstop End stop Endverschluss Support arrière | | | | 1 | 1 | 1 | |
| 26 | 3821048 | Endplade End plate 24.09.99 ⇒ Endplatte Plaque arrière | | | | 1 | 1 | 1 | |
| 27 | 3821030 | Klemmerække Terminal clip 24.09.99 ⇒ Klemme Rangeé de bornes | | | | 1 | 1 | 1 | |
| 28 | 3807518 | Klemmerække wk 4/4 Terminal clip Klemme Rangeé de bornes | | | | 3 | 3 | 3 | |
| 29 | 3821332 | Endplade End plate Endplatte Plaque arrière | | | | 1 | 1 | 1 | |
| 30 | - | Kontaktor Contactor 24V Schütz Contacteur | | | | | | | |
| - | 3821404 | CA3-16-10 ⇒ 31.12.99 | | | | | | | |
| - | 63910 | CA3-16-10 01.01.00 ⇒ | | | | | | | |
| - | 3804168 | CA3-23-10 ⇒ 31.12.99 | | | | | | | |
| - | 63907 | CA3-23-10 01.01.00 ⇒ | | | | | | | |
| - | 63912 | CA3-30-10 | | | | | | | |
| - | 3821218 | CA3-16-01, CH | | | | | | | |
| 33 | 3821212 | Omskifter Reverser Y/Δ Umschalter 440/220 Inverseur | | | | 1 | 1 | 1 | |
| 34 | 6220737 | Skala Dial 440/220 Skalen Echelle | | | | 1 | 1 | 1 | |
| 35 | 3806197 | Tidskontakt Time switch CH Zeitschalter Contacttemporisé | | | | 1 | 1 | | |
| 36 | 3806205 | Hjælpekontakt Auxiliary switch CH Zusatzschalter Bouton auxiliaire | | | | 1 | 1 | | |
| 37 | 3805371 | Kondensator 80 µf 400 VDB Capacitor USA Kondensator Condensateur | | | | | | 1 | |
| - | 6101654 | Kondensatorholder Capacitor holder Kondensatorhalter Condensateur sup. | | | | | | 1 | |
| - | 1119608 | Ledningssæt | | | | 1 | 1 | 1 | |
| - | 1119609 | Kit for cables (1ph), USA | | | | | | | |
| - | 1119610 | Kabelsatz Kit de câble CH 2 | | | | | | | |

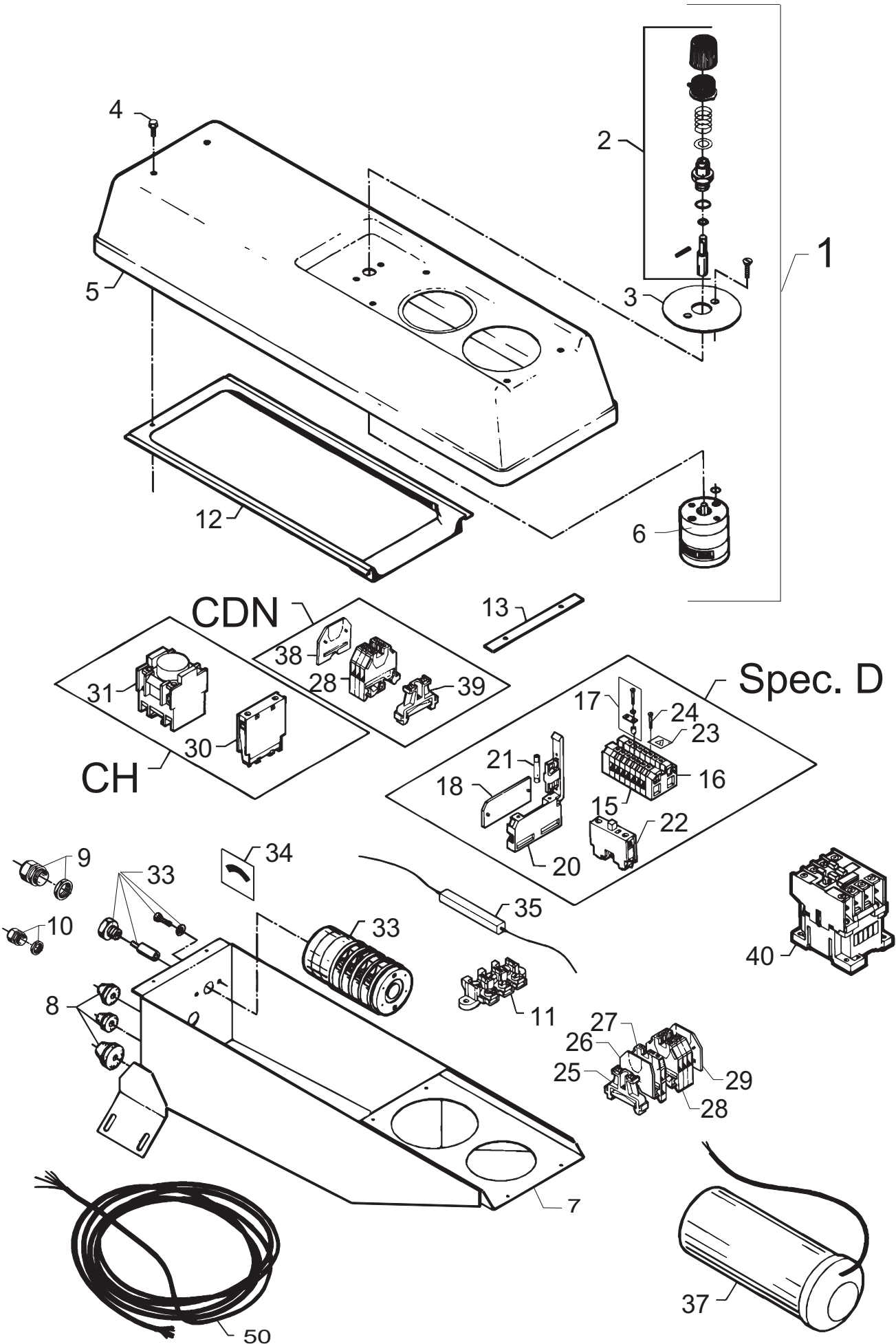
El-dele / Electric parts / Elektrische Teile / Pièces électrique
03K



| Pos. Ref. | Nr. No. | Betegnelse Bezeichnung | Designation Désignation | 1903K | 2903K | 4403K | 5203K | 4003K | 3000C |
|-----------|--|--|----------------------------|-------------|-------------|-------------|-------------|-------------|--------|
| - | - | El-dele Electrical components Electrische Teile Pièces électrique | 03K | | | | | | |
| 1 | 3804911 | Start/stop kontakt, kompl Start/stop switch, compl. Start/Stop Schalter, kompl. Bouton marche/arrêt | | x | x | x | x | x | x |
| 2 | 1117357 | Drejekontakt, kompl. Adjusting knob, compl. Drehschalter, kompl. Interrupteur à rotation | | 1 | 1 | 1 | 1 | 1 | 1 |
| 3 | 6101010 | Skalaplade Dial plate Skalenplatte Echelle | | 1 | 1 | 1 | 1 | 1 | 1 |
| 4 | 1803956 | Taptite skrue Taptite screw Taptiteschraube Vis Taptite | M4x12 | 6 | 6 | 6 | 6 | 6 | 6 |
| 5 | - | Instrumentkasse, låg Instrument box, cover Instrumentengehäuse, Deckel Boîte à instrumente, couvercle | | | | | | | |
| - | 6101400 6100129 6101054 | | Y/Δ CDN | 1 1 1 | 1 1 1 | 1 1 1 | 1 1 1 | 1 1 1 | 1 |
| 6 | 3804895 3804903 | Start/stop kontakt Start/stop switch Start/Stop Schalter Bouton marche/arrêt | D | x x | x x | x x | x x | x x | x x |
| 7 | - | Instrumentkasse Instrument box Instrumentengehäuse Boîte à instrumente | | | | | | | |
| - | 6101656 6101605 6100128 | 24.09.99 ⇒ ⇒ 23.09.99 ⇒ 23.09.99 | Y/Δ | 1 1 1 | 1 1 1 | 1 1 1 | 1 1 1 | 1 1 1 | 1 |
| 8 | - | Pakdåse Cable grommet Stopfbuchse Presse-étoupe | | | | | | | |
| - | 3803764 3803772 3803780 3803798 | TET 5 - 7C TET 7 - 10C TET 10 - 14C TET 14 - 20C | ⇒ 23.09.99 ⇒ 23.09.99 | | | | | | |
| 9 | 3830125 | Kabelgennemføring Cable gland Kabeldurchführung Traversée | PG 21 24.09.99 ⇒ | 1 | 1 | 1 | 1 | 1 | 1 |
| 10 | 3830124 | Kabelgennemføring Cable gland Kabeldurchführung Traversée | PG 16 24.09.99 ⇒ | 1 | 1 | 1 | 1 | 1 | 1 |
| 11 | 3803822 | Klemmerække Terminal clip Klemme Rangeé de bornes | ⇒ 23.09.99 | 1 | 1 | 1 | 1 | 1 | 1 |
| 12 | 6100115 | Pakning f. instr. kasse Gasket f. instr. box Dichtung f. Instrumentengehäuse Joint p. boîte | | 1 | 1 | 1 | 1 | 1 | 1 |
| 13 | 6100116 | Pakning Gasket Dichtung Joint | | 1 | 1 | 1 | 1 | 1 | 1 |
| 15 | 3800315 | Klemmerække Terminal clip 3 ~ Klemme Rangeé de bornes | D | | 7 | 7 | 7 | | |
| 16 | 3800323 | Befæstigelsesblok Attachment block 3 ~ Befestigungsblock Bloc de fixation | D | | 2 | 2 | 2 | | |

| Pos. Ref. | Nr. No. | Betegnelse Bezeichnung | Designation Désignation | 1903K | 2903K | 4403K | 5203K | 4003K | 3000C |
|-----------|-------------------------------|---|-------------------------------------|-------|-------|-------|-------|-------|-------|
| 17 | 3800349 | 2 - pollet laske 2 - polar splice 3 ~ Zweipolige lasche Eclisse à deux pôles | D | | 1 | 1 | 1 | | |
| 18 | 3804416 | Afdækningsplade Cover plate 3 ~ Deckplatte Tôle protectrice | D | | 1 | 1 | 1 | | |
| 20 | 3804333 | Sikringsholder Fuse holder 3 ~ Sicherungshalter Support de fusible | D | | 2 | 2 | 2 | | |
| 21 | 3804341 | Sikring 1A 500V Fuse 3 ~ Sicherung Fusible | D | | 2 | 2 | 2 | | |
| 22 | 3805280 3821738 | Hjælpekontakt, D Auxiliary switch 3 ~ ⇒ 31.12.99 Zusatzschalter Bouton auxiliaire | 01.01.00 ⇒ | | 1 | 1 | 1 | | |
| 23 | 3804325 | Plade med lynsymbol Plate with symbol-lightning Platte mit Symbol-Blitz Plaque avec symbole-éclair | D | | 1 | 1 | 1 | | |
| 24 | 1802784 | Skrue, rød Screw, red Schraube, rot Vis, rouge | D | | 2 | 2 | 2 | | |
| 25 | 3812203 | Endstop End stop Endverschuß Support arrière | 24.09.99 ⇒ | 1 | 1 | 1 | 1 | 1 | 1 |
| 26 | 3821048 | Endplade End plate Endplatte Plaque arrière | 24.09.99 ⇒ | 1 | 1 | 1 | 1 | 1 | 1 |
| 27 | 3821030 | Klemmerække Terminal clip Klemme Rangeé de bornes | 24.09.99 ⇒ | 1 | 1 | 1 | 1 | 1 | 1 |
| 28 | 3807518 | Klemmerække wk 4/4 Terminal clip Klemme Rangeé de bornes | 24.09.99 ⇒ | 3 | 3 | 3 | 3 | 2 | 3 |
| 28 | 14505 | Klemmerække wk 4/4 Terminal clip Klemme Rangeé de bornes | 10mm² | | | | | | 2 |
| 29 | 3821332 | Endplade End plate Endplatte Plaque arrière | 24.09.99 ⇒ | 1 | 1 | 1 | 1 | 1 | 1 |
| 30 | 3806205 | Hjælpekontakt Auxiliary switch 3 ~ Zusatzschalter Bouton auxiliaire | CH | | | 1 | 1 | | |
| 31 | 3806197 | Tidskontakt Time switch Zeitschalter Contacttemporisé | CH | | | 1 | 1 | | |
| 33 | 3806213 | Omskifter Y/Δ Reverser Umschalter | B (380/220) | | x | x | x | | |
| - | 3812344 | Inverseur Off-shore (440/220) | | | x | x | x | | x |
| 34 | 6101574 6220737 | Skala Dial Skalen Echelle | 380/220 440/220 | | 1 | 1 | 1 | | 1 |
| 35 | - | Modstand Resistance Widerstand Résistance | | | | | | | |
| - | 3805165 3806171 3812955 | 8 K2, 5%-9W 6 K8, 5%-17W 8 K2, 5%-17W | B Off-shore, B Off-shore, USA | | | | | | |

El-dele / Electric parts / Elektrische Teile / Pièces électrique
03K



| Pos. Ref. | Nr. No. | Betegnelse Bezeichnung | Designation Désignation | 1903K | 2903K | 4403K | 5203K | 4003K | 3000C |
|-----------|---------|---|----------------------------|-------|-------|-------|-------|-------|-------|
| 37 | 3805371 | Kondensator Capacitor Kondensator Condensateur | 80 µf 400 VDB USA, CDN | 1 | 1 | 1 | 1 | 2 | |
| 37 | 3804267 | Kondensator Capacitor, ø70IP5 Kondensator Condensateur | 160 µf 240 VDB GB | 2 | | | | | |
| - | 6101654 | Kondensatorholder Capacitor holder Kondensatorhalter Support p.condensateur | | 1 | 1 | | | 1 | |
| 38 | 3807526 | Endeplade End plate Endplatte Plaque arrière | CDN | | | | 1 | 1 | |
| 39 | 3805249 | Endestop End stop Endverschluss Support arrière | CDN | | | | 2 | 2 | |
| - | 6101789 | Kondensator sæt, start Capacitor kit, start-up Kondensator satz, Start Kit de condensateur, marche | CDN | | | | | | |
| 40 | - | Kontaktor Contactor Schütz Contacteur | 16A | | | | | | |
| - | 64881 | 400V, 50Hz/460V, 60Hz | | | 1 | 1 | 1 | | |
| 40 | - | Kontaktor Contactor Schütz Contacteur | CA3-16-10 | | | | | | |
| | 3804028 | 190V, 50Hz / 220V, 60Hz J, off-shore 3x220V | | | 1 | | | | |
| | 3804036 | 346V, 50Hz HK, SGP | | | 1 | 1 | 1 | | |
| | 65856 | 500V, 50Hz / 575V, 60Hz S, CDN | | | | | 1 | | |
| 40 | - | Kontaktor, 23A 50-60Hz Contactor Schütz Contacteur | CA3-23-10 | | | | | | |
| | 3804101 | 220V, 50Hz / 254V, 60Hz B, N ⇒ 31.12.99 | | | | 1 | | | |
| | 3804119 | 190V, 50Hz / 220V, 60Hz J, Off-shore 3x220V ⇒ 31.12.99 | | | | 1 | | | |
| | 63910 | 220V, 50Hz / 254V, 60Hz 190V, 50Hz 220V, 60Hz J, Off-shore 3x220V | B, N 01.01.00 ⇒ | | | | | 1 | |
| 40 | - | Kontaktor, 23A Contactor Schütz Contacteur | CA3-23-10 | | | | | | |
| | 3804150 | 380V, 50Hz I | | | | 1 | | | |

| Pos. Ref. | Nr. No. | Betegnelse Bezeichnung | Designation Désignation | 1903K | 2903K | 4403K | 5203K | 4003K | 3000C |
|-----------|---------|---|----------------------------|-------|-------|-------|-------|-------|-------|
| 40 | - | Kontaktor, 30A 50-60Hz Contactor Schütz Contacteur | CA3-30-10 | | | | | | |
| | 63914 | 190V, 50Hz / 220V, 60Hz 5203K : J | | | | | 1 | | |
| | 3804184 | 110V, 50Hz / 127V, 60Hz 1x110V: GB | | | 1 | | | | |
| | 63914 | 220V, 50Hz / 254V, 60Hz B, N, Off-shore 3x220V, USA 3x220V, CDN, U, ROK | | | 1 | 1 | 1 | 1 | 1 |
| 40 | 3804747 | Kontaktor, 400V,50Hz Contactor Schütz Contacteur | CA3-16-10 Y/Δ | | | | 1 | 1 | |
| 50 | - | EI-kabel EI.cable Anschlußkabel Câble électrique | | | | | | | |
| | - | 6100482 H05VV-F 4G 1.5 | | | x | x | x | | |
| | - | 6100483 H05VV-F 4G 2.5 | | | | x | x | | |
| | - | 6100488 H07RN-F 4G 2.5 | | | | x | x | | x |
| | - | 6100490 H07RN-F 5G 1.5 | | | | | | | |
| | - | 6100478 AO6VV-F 4G 5.5 | J | | | | x | | |
| | - | 6180260 H07RN-F 4G 1.5 | | | x | x | x | | |
| | - | 6180261 H07RN-F 3G 1.5 | | | x | x | x | | |
| | - | 6180268 H07RN-F 3G4 | | x | x | | | | |
| | - | 65484 SOW AWG 10/4 US | | | | | x | | |
| | - | 65149 SOW AWG 10/3 US | | | | | | x | |
| 52 | - | Stik Plug Stecker prise électrique | | | | | | | |
| | - | 3802493 CEE 5 pol. 380V/16A | | | | | | | |
| | - | 3805793 1 pol. Eur. | | | | | | | |
| | - | 3805603 L6-30P 240V/30A | CDN | | | | | x | |
| | - | 3805629 L15-30P 240V/25A | CDN | | | | | x | |
| | - | 3805611 L16-20P 575V/9A | CDN | | | | | x | |