

SSE 430

Model:
SSB 430



Stykliste Dansk

04-10-2011

Indholdsfortegnelse

SSE 430

Wastewater tank. Clearwater tank	3
MOTOR	5
Chassis. Wheels	7
Solenoid Valve. Hoses. Fittings	9
Squeegee	11
Housing. Motor	13
Brush drive assy.	15
Electric parts	17
Suction Tube. Squeegee control assy.	19
HÅNDTAG	21

Wastewater tank. Clearwater tank

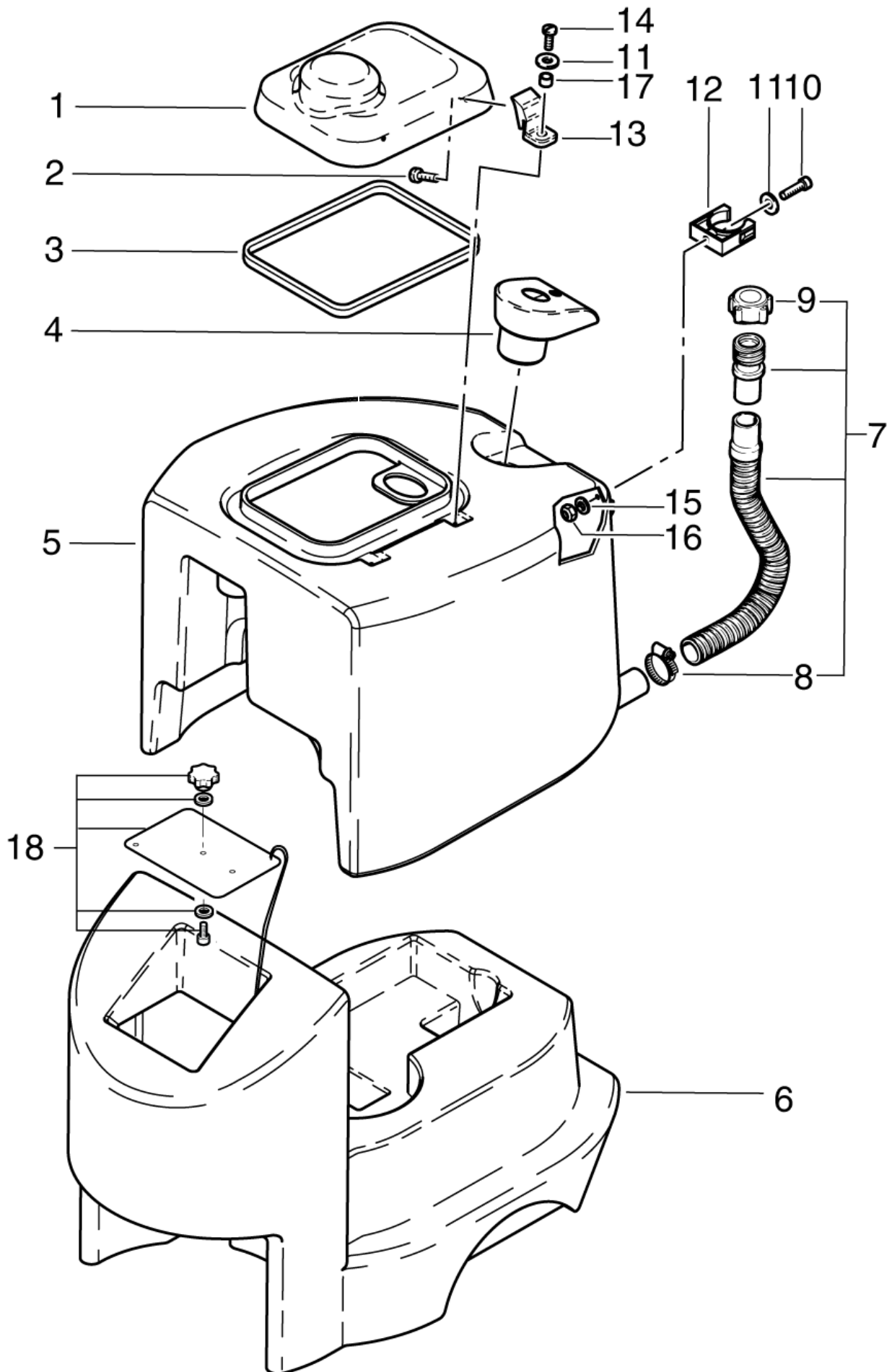
SSE 430

04-10-2011

StyMiste ID

SSE43001

3



Wastewater tank. Clearwater tank

SSE 430

04-10-2011

StyMiste ID

SSE43001

4

Pos	Vare nr.	Ant	Beskrivelse	EAN
1	63726	1	DÆKSEL SSE	4005337637
2	19527	2	UNDERSÆNKSKRUE M4X10	4005337195
3	63727	1	PAKNING	4005337637
4	67055	1	PASSSTÜCK BLAU F.FÜHRUNGS STAN.	4005337670
5	67053	1	TANK	4005337670
6	63724	1	BEHOLDER F. RENTVAND	4005337637
7	303000146	1	AFLØBSSLANGE SSE430	4005337676
8	31001	1	SLANGESPÆNDEBÅND	4005337310
9	40041	1	DÆKSEL	4005337400
10	10369	1	SKRUE M5X25	4005337103
11	2763	3	WASHER 5,3X1	4005337027
12	7286	1	HOLDING CLAMP	4005337072
13	63728	2	HOLDER SSE	4005337637
14	9795	2	SKRUE M5X12	4005337097
15	5166	1	SKIVE	4005337051
16	24562	1	HEXAGON THIN NUT	4005337245
17	303000022	2	AFSTANDSSTYKKE	4005337675
18	303001026	1	DÆKSEL F. RENVANDSTANK	4005337122

MOTOR

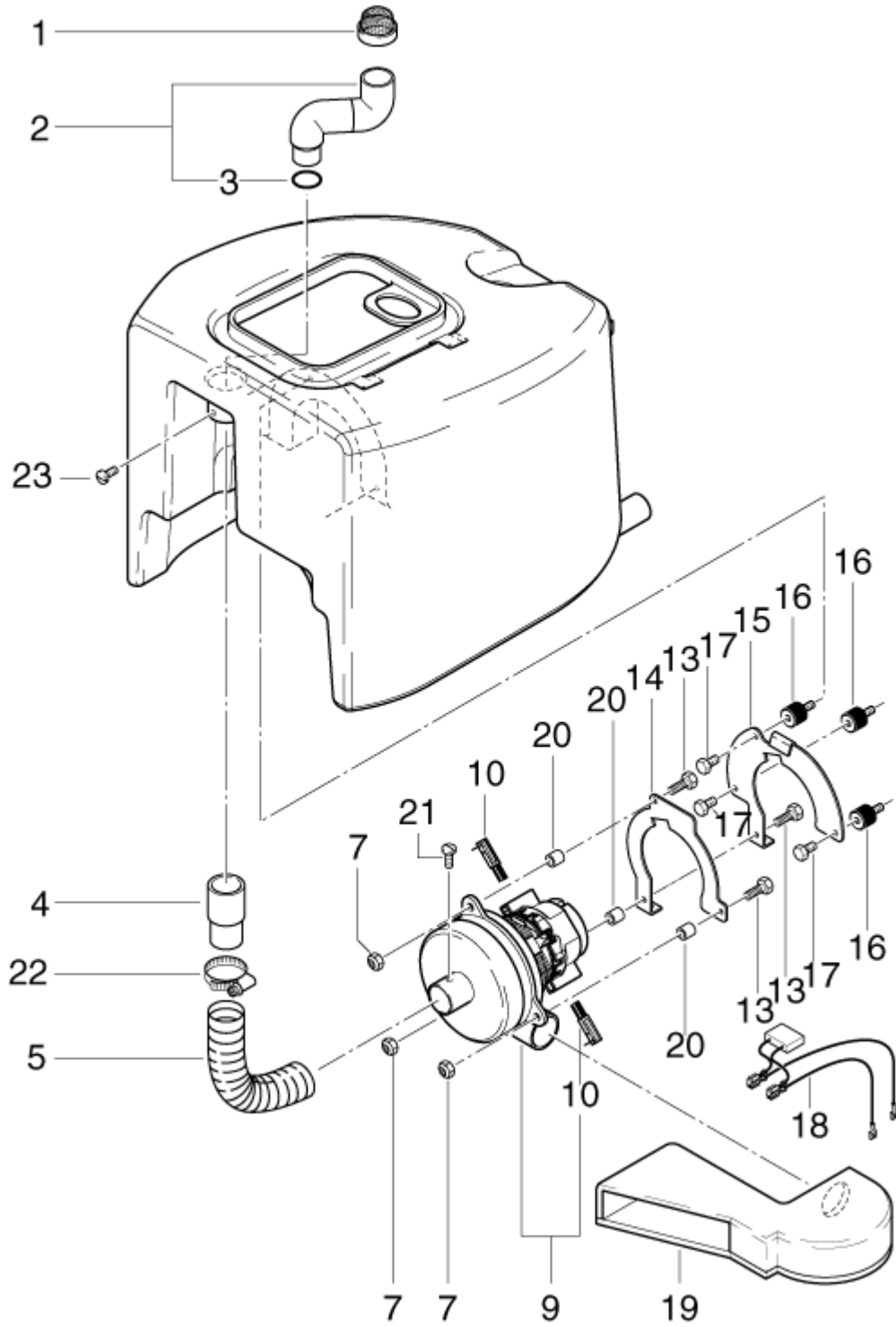
SSE 430

04-10-2011

StyMiste ID

SSE43002

5



MOTOR

SSE 430

04-10-2011

StyMiste ID

SSE43002

6

Pos	Vare nr.	Ant	Beskrivelse	EAN
1	44922	1	FILTER SSE/SSB	4005337449
2	63754	1	SUGEBØJNING M.O-RING SSE	4005337637
3	32092	1	O-RING	4005337320
4	63753	1	INTAKE FITTING D40.5X75	4005337637
5	303000057	1	SUGESLANGE PLEASE INDICATE LENGTHS IN METRES WHEN ORDERING	4005337675
7	11619	3	MØTRIK M6	4005337116
9	303000095	1	SUGEMOTOR 230V/50HZ	4005337675
10	26775	1	KULSÆT "L"	4005337267
13	2806	3	SKRUE M6X25	4005337028
14	63751	1	MOUNTING PLATE FRONT	4005337637
15	63750	1	MOUNTING PLATE REAR	4005337637
16	34960	3	PUFFER	4005337349
17	8917	3	SCREW M6X12	4005337089
18	303000042	1	KABELSÆT	4005337675
19	303000209	1	LYDDÆMPER SSE	4005337676
20	303000205	3	AFSTANDSBØSNING	4005337676
21	8822	1	SKRUE 3.5X9.5	4005337088
22	31001	1	SLANGESPÆNDEBÅND	4005337310
23	16860	1	PT-SKRUE 4X12	4005337168

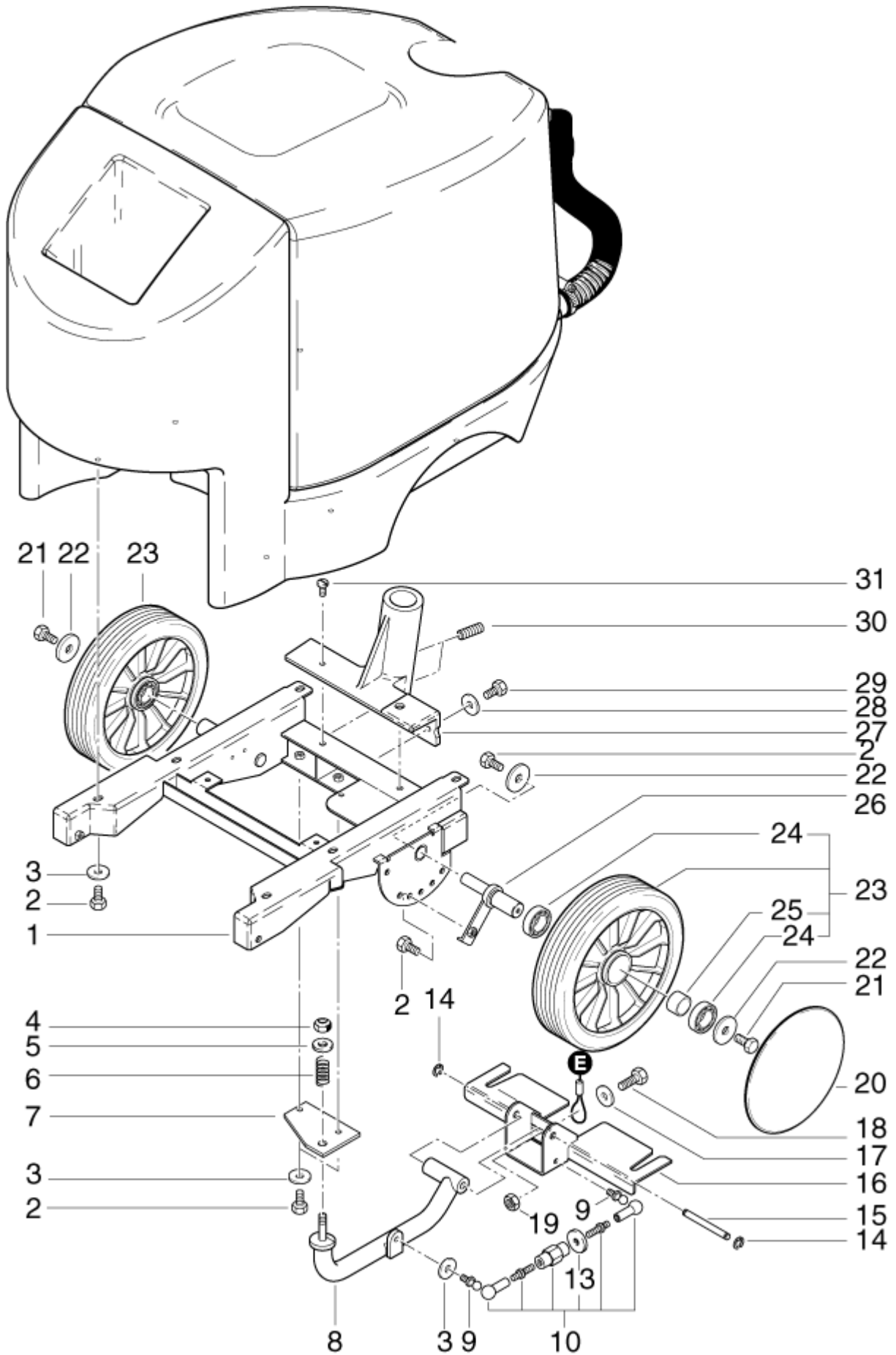
Chassis. Wheels

SSE 430

04-10-2011

StyMiste ID SSE43003

7



Chassis. Wheels

SSE 430

04-10-2011

StyMiste ID

SSE43003

8

Pos	Vare nr.	Ant	Beskrivelse	EAN
1	63749	1	CHASSIS	4005337637
2	3913	5	SKRUE M6X12	4005337039
3	2766	7	WASHER 6,4X1,6	4005337027
4	6052	1	MØTRIK	4005337060
5	34939	1	SPÆNDESKIVE ENCORE RC	4005337349
6	909100089	1	TRYKFJEDER	4005337679
7	63748	1	DOOR CLAMP	4005337637
8	63747	1	CHASSIS HOLDER	4005337637
9	34029	2	BUND	4005337340
10	19877	1	JUSTERSPINDEL	4005337198
13	63745	1	RONDELMØTRIK	4005337637
14	56530	2	LÅSERING	4005337565
15	303000144	1	BOLT 8X71	4005337676
16	63746	1	HOLDER F. SUGEFOD SSE 430	4005337637
17	5166	1	SKIVE	4005337051
18	7473	1	BOLT M5X12	4005337074
19	7417	1	MØTRIK M5	4005337074
20	67047	2	HJULKAPSEL	4005337670
21	8917	2	SCREW M6X12	4005337089
22	27353	1	SKIVE	4005337273
23	63744	2	HJUL	4005337637
24	32523	4	RULLELEJE	4005337325
25	303000206	2	AFSTANDSBØSNING SSB	4005337676
26	63743	1	AKSEL	4005337637
27	63742	1	HOLDER F. STEL	4005337637
28	5166	2	SKIVE	4005337051
29	9795	2	SKRUE M5X12	4005337097
30	4143	2	SET SCREW M8X25 DIN 913 ST/ZN	4005337041
31	32535	2	SKRUE M5X6	4005337325

Solenoid Valve. Hoses. Fittings

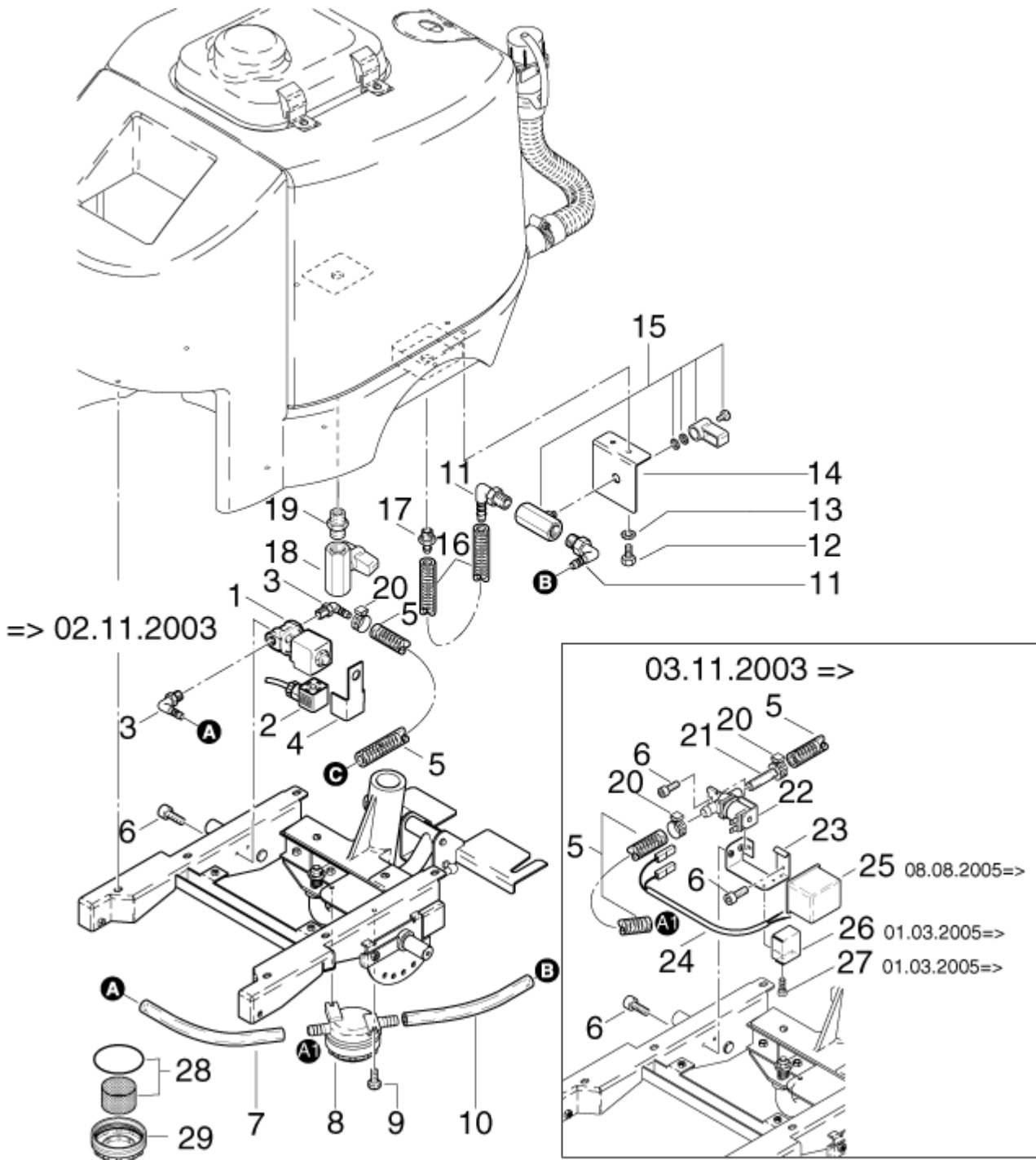
SSE 430

04-10-2011

StyMiste ID

SSE43004

9



Solenoid Valve. Hoses. Fittings

SSE 430

04-10-2011

StyMiste ID

SSE43004

10

Pos	Vare nr.	Ant	Beskrivelse		EAN
1	48018	1	MAGNETVENTIL	=>02.11.2003}	4005337480
2	40021	1	VALVE PLUG	=>02.11.2003}	4005337400
3	62912	2	FITTING 3/8XØ12	=>02.11.2003}	4005337629
4	303000207	1	HOLDER	=>02.11.2003}	4005337676
5	64576	1	PVC SLANGE	PLEASE INDICATE LENGTHS IN METRES WHEN ORDERING	4005337645
6	9768	2	CYLINDER SCREW M4X12 ISO 4762 ST 8.8/ZN		4005337097
7	303000154	1	SLANGE		4005337676
8	63741	1	TILGANGSFILTER		4005337637
9	6163	2	CYLINDER SCREW M4X12 ISO 1207 ZN		4005337061
10	303000154	1	SLANGE		4005337676
11	303000397	2	SLANGE STUDS		4005337069
12	3913	2	SKRUE M6X12		4005337039
13	7062	2	SERRATED WASHER A 6.4 DIN 6797 ZN		4005337070
14	303000210	1	VINKEL		4005337676
15	303000184	1	KUGLEVENTIL		4005337676
16	64576	1	PVC SLANGE	PLEASE INDICATE LENGTHS IN METRES WHEN ORDERING	4005337645
17	7278	1	NIPPEL GEVIND 3/8"-1/4"		4005337072
18	61736	1	KUGLEVENTIL		4005337617
19	909100114	1	NIPPLE 3/8-1/4" /4" M		4005337679
20	8298	1	SPÆNDEBÅND	03.11.2003=>	4005337082
21	303000403	1	HOSE D10X1X15	03.11.2003=>	4005337070
22	303000401	1	MAGNETVENTIL DN10/230V SEE 430	03.11.2003=>	4005337070
23	303000402	1	BESLAG	03.11.2003=>	4005337070
24	64229	1	LEDNING	03.11.2003=>	4005337642
25	303000529	1	COVER	08.08.2005=>	4005337101
26	303000529	1	COVER	01.03.2005=>	4005337101
27	8822	2	SKRUE 3.5X9.5	01.03.2005=>	4005337088
28	303000525	1	STRAINER		4005337099
29	303000526	1	DÆKSEL FOR FILTER		4005337099

Squeegee

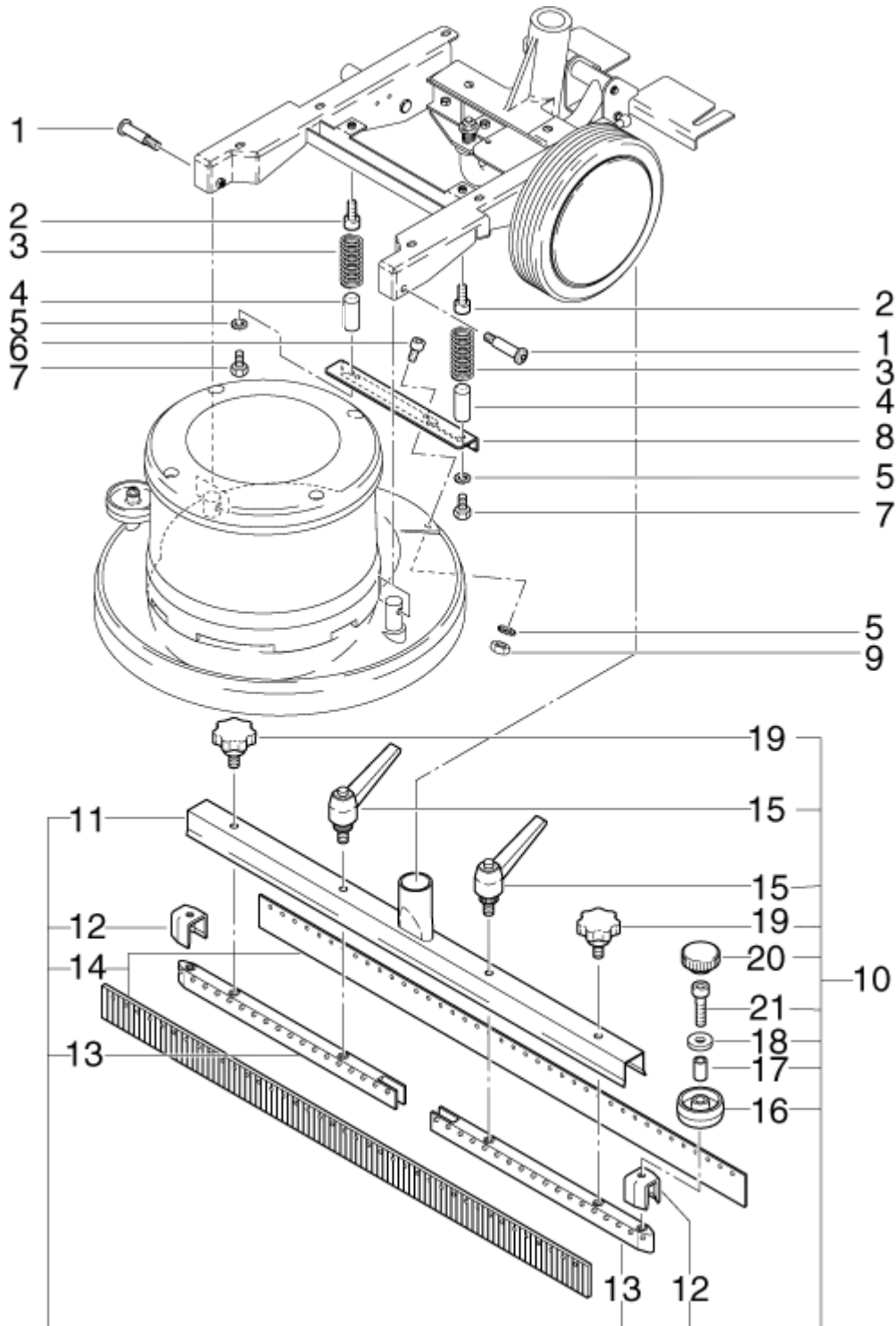
SSE 430

04-10-2011

StyMiste ID

SSE43005

11



Squeegee

SSE 430

04-10-2011

StyMiste ID

SSE43005

12

Pos	Vare nr.	Ant	Beskrivelse	EAN
1	909100090	2	CYLINDERSKRUE M6X32	4005337679
2	2780	2	SKRUE, M6X12	4005337027
3	63723	2	TRYKFJEDER	4005337637
4	303000139	2	BOLT 12X23	4005337676
5	7062	2	SERRATED WASHER A 6.4 DIN 6797 ZN	4005337070
6	13600	2	SKRUE M6X25	4005337136
7	8917	2	SCREW M6X12	4005337089
8	63722	1	HALTEWINKEL BLOCKERGEHÄUS E "SS	4005337637
9	17848	2	HEXAGON NUT M6	4005337178
10	303000198	1	SUGEFOD F. SSE/SSB 430	4005337676
11	65750	1	HOLDESKINNE 640X31X35	4005337657
12	62942	2	CLIP	4005337629
13	65749	2	MUNDSTYKKEINDSATS F.SUGE F	4005337657
14	65748	1	SUGEGUMMI KIT	4005337657
15	65738	2	INDSTILLELIG SPÆNDEHÅNDT.	4005337657
16	15610	2	PLASTIC WHEEL	4005337156
17	303000204	1	AFSTANDBØSNING 8X6X27,5	4005337676
18	2766	2	WASHER 6,4X1,6	4005337027
19	909100382	2	FINGERSKRUE M8X15	4005337077
20	65443	2	KNOP SSE/SSB	4005337654
21	15045	2	SKRUE M6X35	4005337150

Housing. Motor

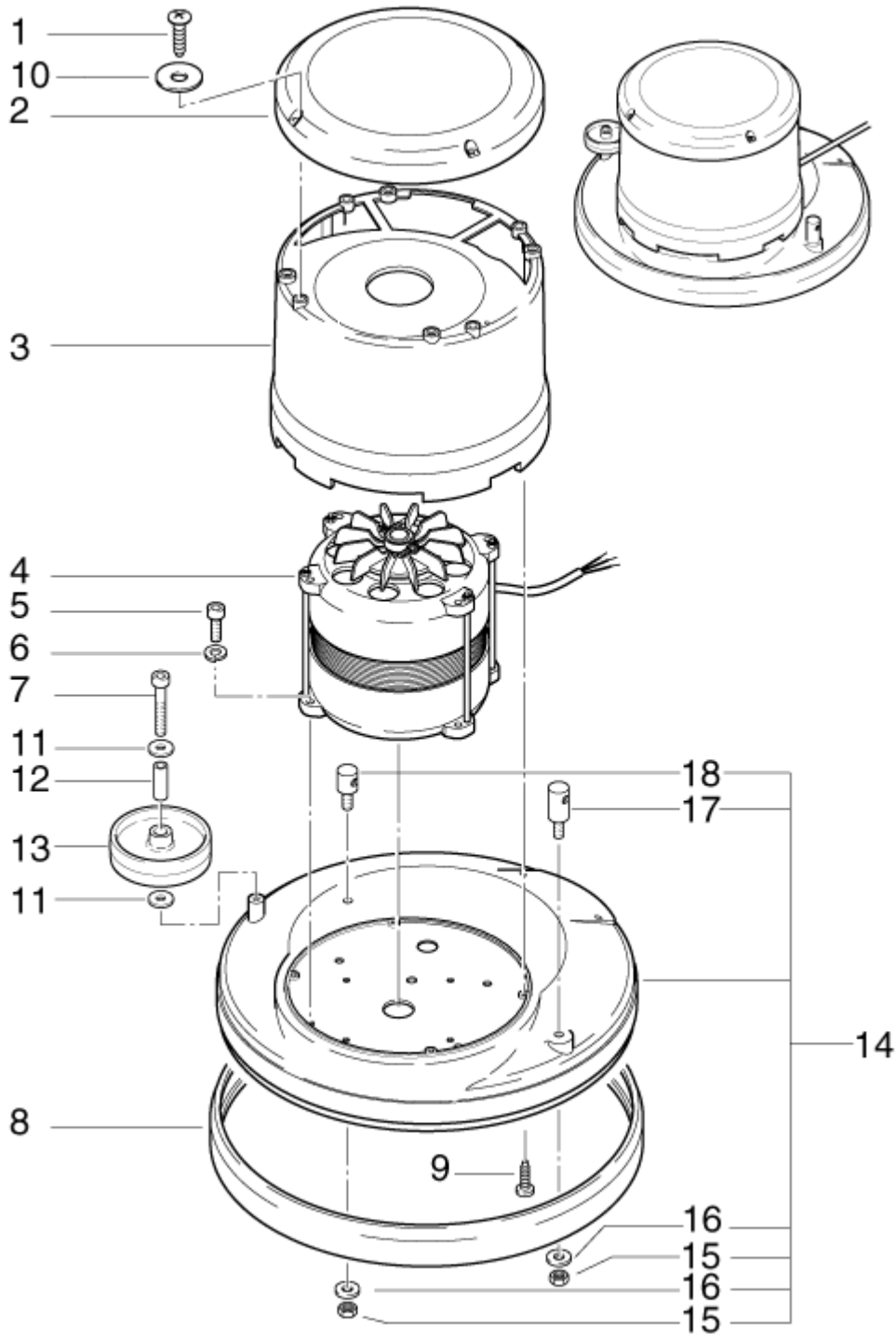
SSE 430

04-10-2011

StyMiste ID

SSE43006

13



Housing. Motor

SSE 430

04-10-2011

StyMiste ID

SSE43006

14

Pos	Vare nr.	Ant	Beskrivelse	EAN
1	5189	4	SKRUE, M5X10	4005337051
2	67057	1	COVER D277 - BLUE	4005337670
3	63606	1	BESKYTTELSKAPPE F.MOTOR	4005337636
4	63609	1	MOTOR SSE	4005337636
5	4818	4	BOLT M6X20	4005337048
6	2772	4	FJEDERSKIVE	4005337027
7	9570	1	BOLT	4005337095
8	63608	1	BESKYTTELSERING	4005337636
9	10029	4	SKRUE KA5,0X25	4005337100
10	5166	4	SKIVE	4005337051
11	2766	2	WASHER 6,4X1,6	4005337027
12	303000162	1	PAKNING	4005337676
13	303000001	1	AFVISERRULLE	4005337003
14	67056	1	KABINET BLÅ SSE 430	4005337670
15	6052	2	MØTRIK	4005337060
16	1800796	2	SKIVE M8	5701715027
17	303000203	1	BOLT	4005337676
18	303000202	1	BOLT	4005337676

Brush drive assy.

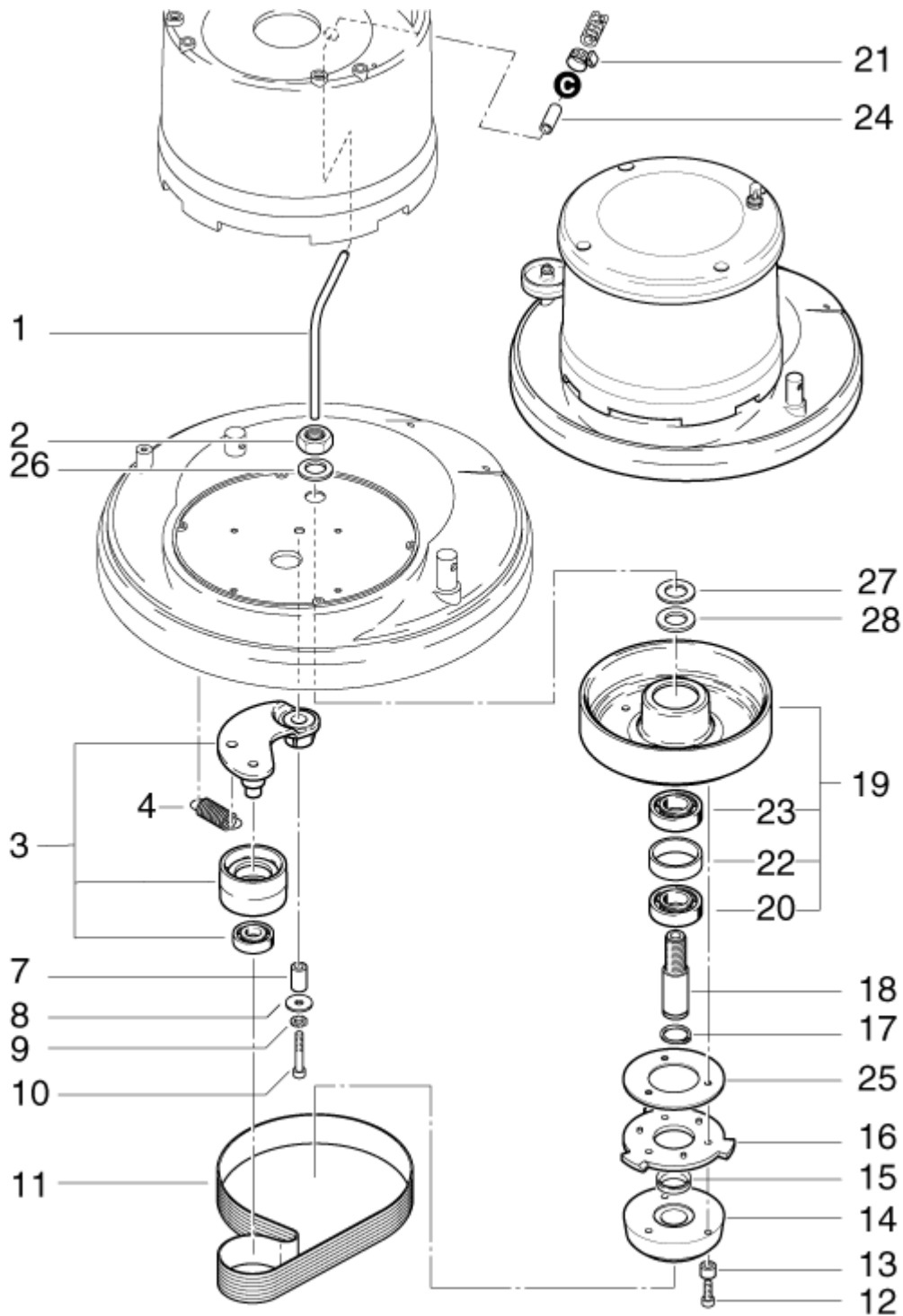
SSE 430

04-10-2011

StyMiste ID

SSE43007

15



Brush drive assy.

SSE 430

04-10-2011

StyMiste ID

SSE43007

16

Pos	Vare nr.	Ant	Beskrivelse	EAN
1	303000140	1	RØR BØJET VA-STÅL	4005337676
2	42328	1	MØTRIK 6KT-M20 X 1,5 X 33	4005337423
3	63623	1	RIEMENSPANNER "SP401	4005337636
4	63616	1	TRÆKFJEDER	4005337636
7	63619	1	DISTANCE PIECE D15X25	4005337636
8	34939	1	SPÆNDESKIVE ENCORE RC	4005337349
9	2798	1	FJEDERRING	4005337027
10	1804590	1	SKRUE M8X45	5701715029
11	63621	1	DRIVREM	4005337636
12	4818	3	BOLT M6X20	4005337048
13	63618	3	AFSTANDSSTYKKE Ø8 X 4	4005337636
14	63700	1	CENTRERINGSSKIVE F. PADS	4005337637
15	63617	1	TÆTNINGSRING	4005337636
16	63625	1	SEGMENTSCHIEBE "SP401"	4005337636
17	13611	1	SIKKERHEDSRING 24 X 1,2	4005337136
18	63620	1	DRIVAKSEL	4005337636
19	63622	1	REMSKIVE	4005337636
20	101118042	1	ROLLER BEARING 6205-2Z	5715492078
21	2528	1	SPÆNDEBÅND Ø18 X 9	4005337025
22	303000096	1	AFSTANDSBØSNING	4005337675
23	101118042	1	ROLLER BEARING 6205-2Z	5715492078
24	303000143	1	SLANGE 6X1X25	4005337676
25	303000141	1	AFSTANDSSKIVE	4005337676
26	51374	1	SKIVE 21X3	4005337513
27	303000111	1	SKIVE 20X35X3	4005337675
28	303000112	1	SKIVE 20X32X0,7	4005337675

Electric parts

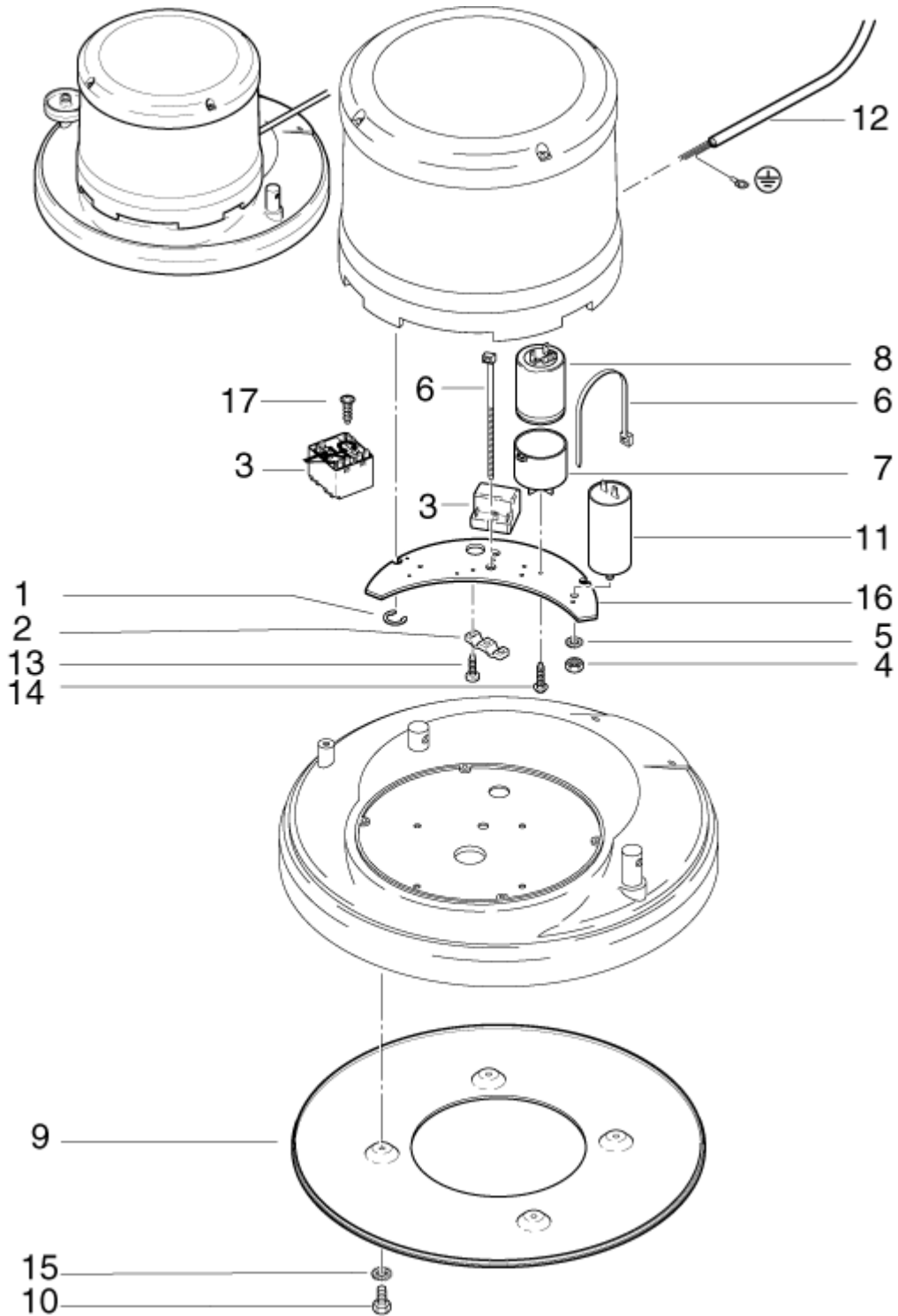
SSE 430

04-10-2011

StyMiste ID

SSE43008

17



Electric parts

SSE 430

04-10-2011

StyMiste ID

SSE43008

18

Pos	Vare nr.	Ant	Beskrivelse	EAN
1	8782	2	SIKRINGSSKIVE	4005337087
2	303000136	1	TRÆKAFLASTNINGSBØJLE	4005337676
3	303000273	1	STARTRELÆ SSE-430	4005337044
3	63594	1	START RELÆ F. SSE 430	4005337635
4	2758	1	HEXAGON NUT M8	4005337027
5	2803	1	WASHER A 8.2 DIN6797 ZN FORM J	4005337028
6	8819	2	STRIPS	4005337088
7	63597	1	KAPPE FOR KONDENSATOR Ø55	4005337635
8	63598	1	KONDENSATOR SSE-430	4005337635
9	63593	1	AFDÆKNINGSSKIVE Ø400	4005337635
10	2784	4	CYLINDER SCREW M5X12 ISO 1207 ZN	4005337027
11	63596	1	DRIFTSKONDENSATOR 25MF	4005337635
12	63697	1	CABLE 361.5X70	4005337636
13	11565	2	SKRUE PT5X18	4005337115
14	16861	1	SKRUE 3,9 X 16	4005337168
15	3376	4	LÅSESKIVE	4005337033
16	303000208	1	PLADE	4005337676
17	4036	1	SKRUE 2,9X9,5	4005337040

Suction Tube. Squeegee control assy.

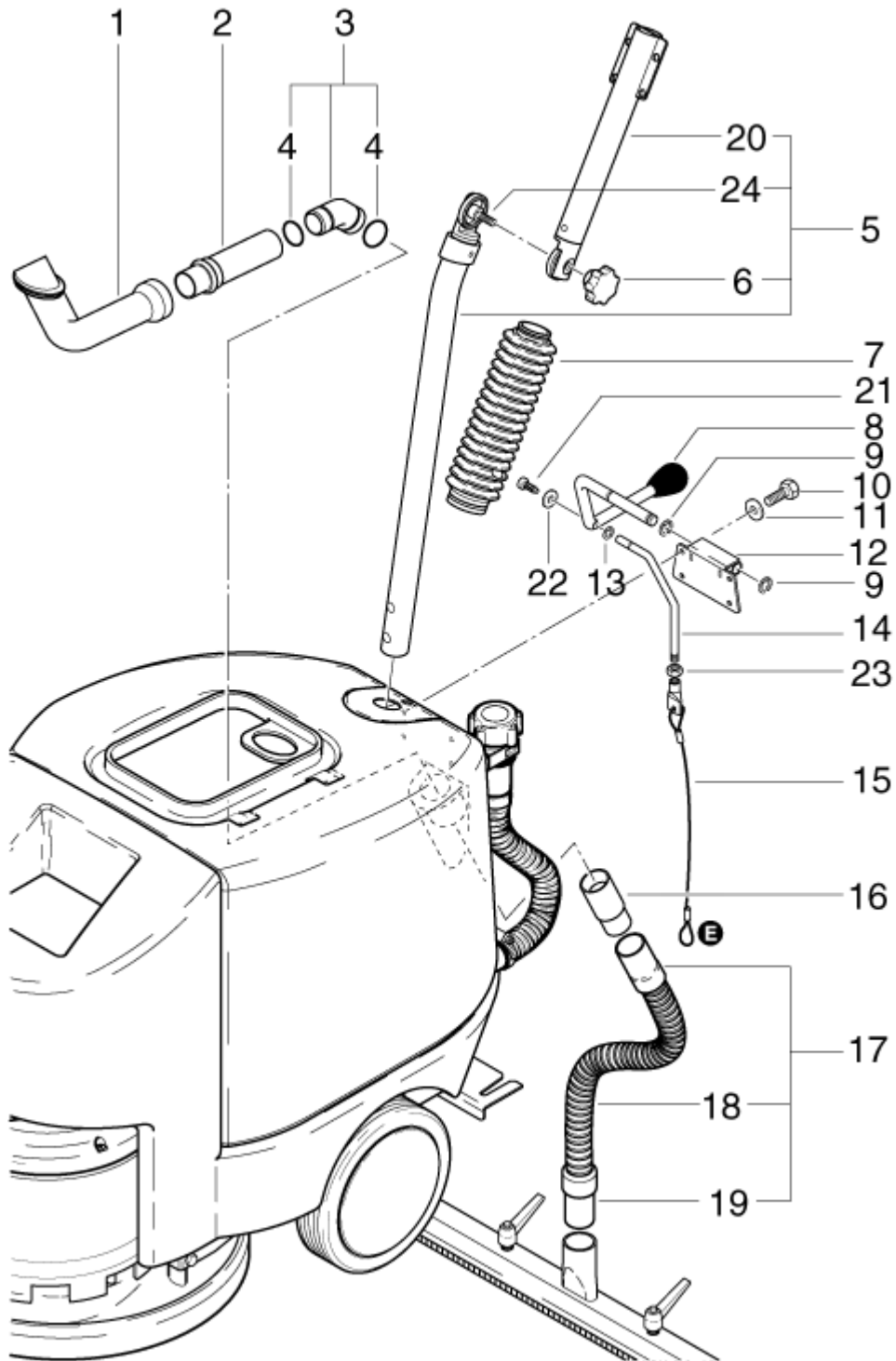
SSE 430

04-10-2011

StyMiste ID

SSE43009

19



Suction Tube. Squeegee control assy.

SSE 430

04-10-2011

StyMiste ID

SSE43009

20

Pos	Vare nr.	Ant	Beskrivelse	EAN
1	63730	1	BØJET RØR Ø50 X 150 X 130	4005337637
2	63731	1	SUGERØR Ø44 X 142	4005337637
3	63732	1	ELBOW	4005337637
4	53562	2	O-RING 28X2	4005337535
5	63733	1	GUIDE PIPE	4005337637
6	40928	1	FINGERMØTRIK M8 6336	4005337409
7	63734	1	FALTENBALG Ø65X225 "SSE 4 30"	4005337637
8	63737	1	HANDLE FOR SSE 430	4005337637
9	8878	2	LOCK WASHER M10X1 DIN 471 ZN	4005337088
11	5166	4	SKIVE	4005337051
12	63736	1	HALTEWINKEL SCHLEPPDUSE	4005337637
13	14402	1	SAFETY DISC	4005337144
14	63735	1	LEVER FOR SSE 430	4005337637
15	63738	1	WIRE F.SUGEFOD SSE430	4005337637
16	63739	1	MUFFE DN 32 F. SAUG-SHL " SSE 4	4005337637
17	63740	1	SUGESLANGE	4005337637
18	303000057	1	SUGESLANGE	PLEASE INDICATE LENGTHS IN METRES WHEN ORDERING 4005337675
19	14682	1	SLANGEMUFFE	4005337146
20	303000142	1	STYRERØR	4005337676
21	4144	1	CYLINDER SCREW M4X6 ISO 1207 ZN	4005337041
22	24353	1	SKIVE 4,3X1 A	4005337243
23	2758	1	HEXAGON NUT M8	4005337027
24	909100361	1	STUD BOLTS M8X25,5/M8X7, 5	4005337064

HÅNDTAG

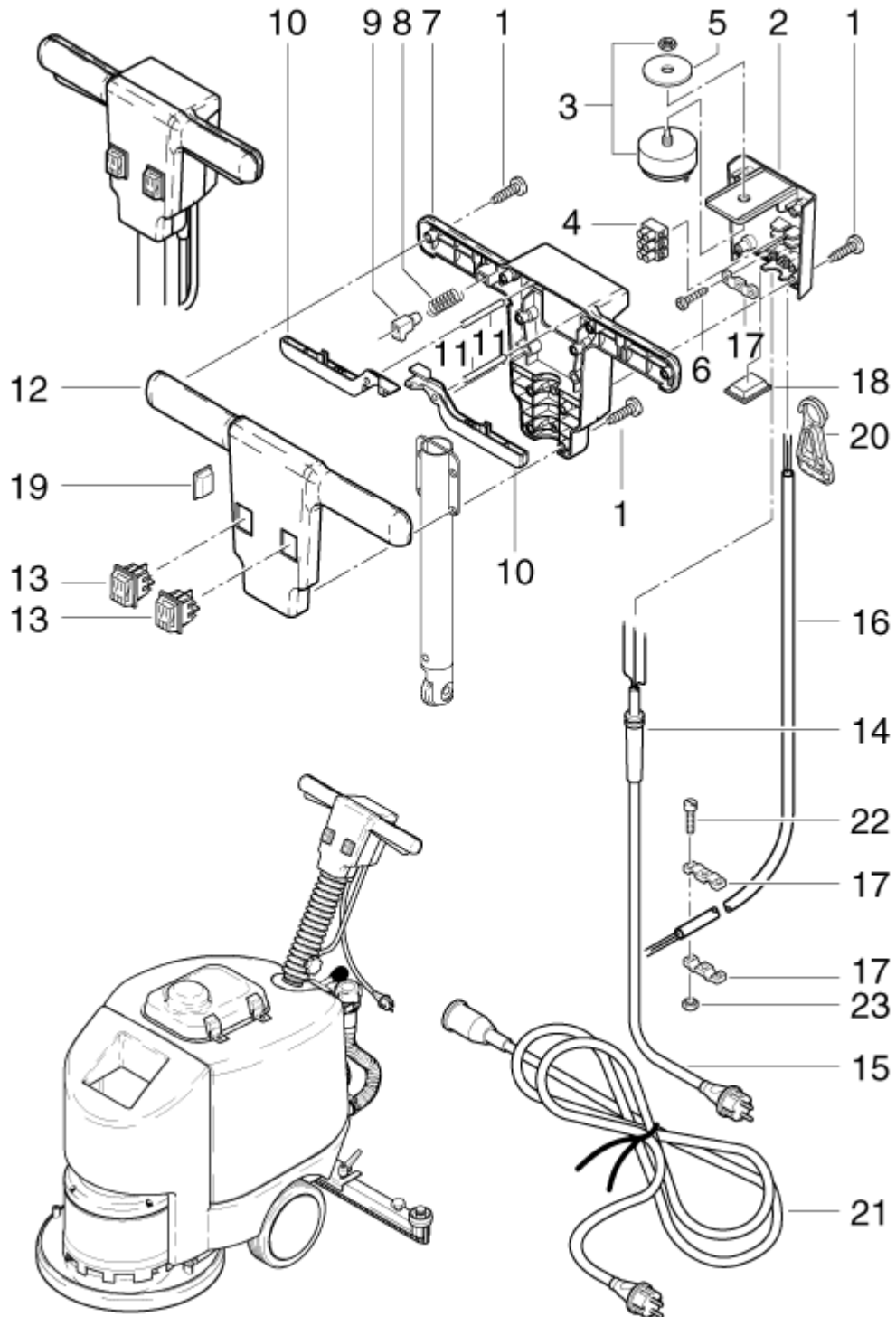
SSE 430

04-10-2011

StyMiste ID

SSE43010

21



HÅNDTAG

SSE 430

04-10-2011

StyMiste ID

SSE43010

22

Pos	Vare nr.	Ant	Beskrivelse	EAN
1	10029	10	SKRUE KA5,0X25	4005337100
2	63585	1	KONSOLE F. E-TEILE SP 401	4005337635
3	63589	1	TASTSCHALTER 25(10)A 250A C	4005337635
4	31414	1	ELECTRICAL TERMINAL	4005337314
6	11565	2	SKRUE PT5X18	4005337115
7	65550	1	HÅNDTAG F. SSE	4005337655
8	63583	1	SPRING	4005337635
9	63588	1	TASTE 30X19X12 F. SP 401	4005337635
10	63586	2	TRIGGER FOR SWITCH	4005337635
11	53610	2	PIN	4005337536
12	63675	1	HANDLE	4005337636
13	43989	2	SWITCH F. TW300S	4005337439
14	303000120	1	KABELTYLLE 26X73	4005337676
15	28319	1	LEDNING SSE 430	*EU* 4005337283
15	303000129	1	POWER CORD H05VV-F 3G1.5	*GB* 4005337676
16	63699	1	CABLE 6G1X1250	4005337636
17	303000123	2	LASK	4005337676
18	303000121	1	AFDÆKNING	4005337676
19	303000145	1	DÆKSEL SSE/SSB	4005337676
20	303000136	1	TRÆKAFLASTNINGSBØJLE	4005337676
21	25323	1	FORLÆNGERKABEL 15 MTR	*EU* 4005337253
22	32535	2	SKRUE M5X6	4005337325
23	7417	2	MØTRIK M5	4005337074