

BA451/BA451D/BA531/BA 531D

Model:

BA 451

BA 451 D

BA 531

BA 531 D



Stykliste Dansk

09-02-2013

Indholdsfortegnelse

BA451/BA451D/BA531/BA 531D

Opløsningstank	3
GENINDVINDINGSTANK	5
Chassissystem	7
Wheels and traction	9
Handle assembly - BA 451 D - 531 D	11
OPLØSNINGSSYSTEM	13
GUMMISKRABERSYSTEM	15
Brush system - BA 451 - BA 531	17
Brush system - BA 451 D - BA 531 D	19
Accessories brushes	21
Control panel system - BA 451 - 531	23
Control panel system - BA 451 D - 531 D	25
Electrical components - BA 451 - 531	27
Electrical components - BA 451 D - 531 D	29
Accessories Extra pressure-Splash guards	31
Accessories Battery Charger	33
Accessories Ecoflex system	35
Wiring diagram - BA 451 - 531	37
Wiring diagram - BA 451 D - 531 D	39
Recommended spare parts 1	41
Recommended spare parts 2	43
Optionals	45
Wiring diagram - BA 451 D - 531 D REV.C	47

Opløsningstank

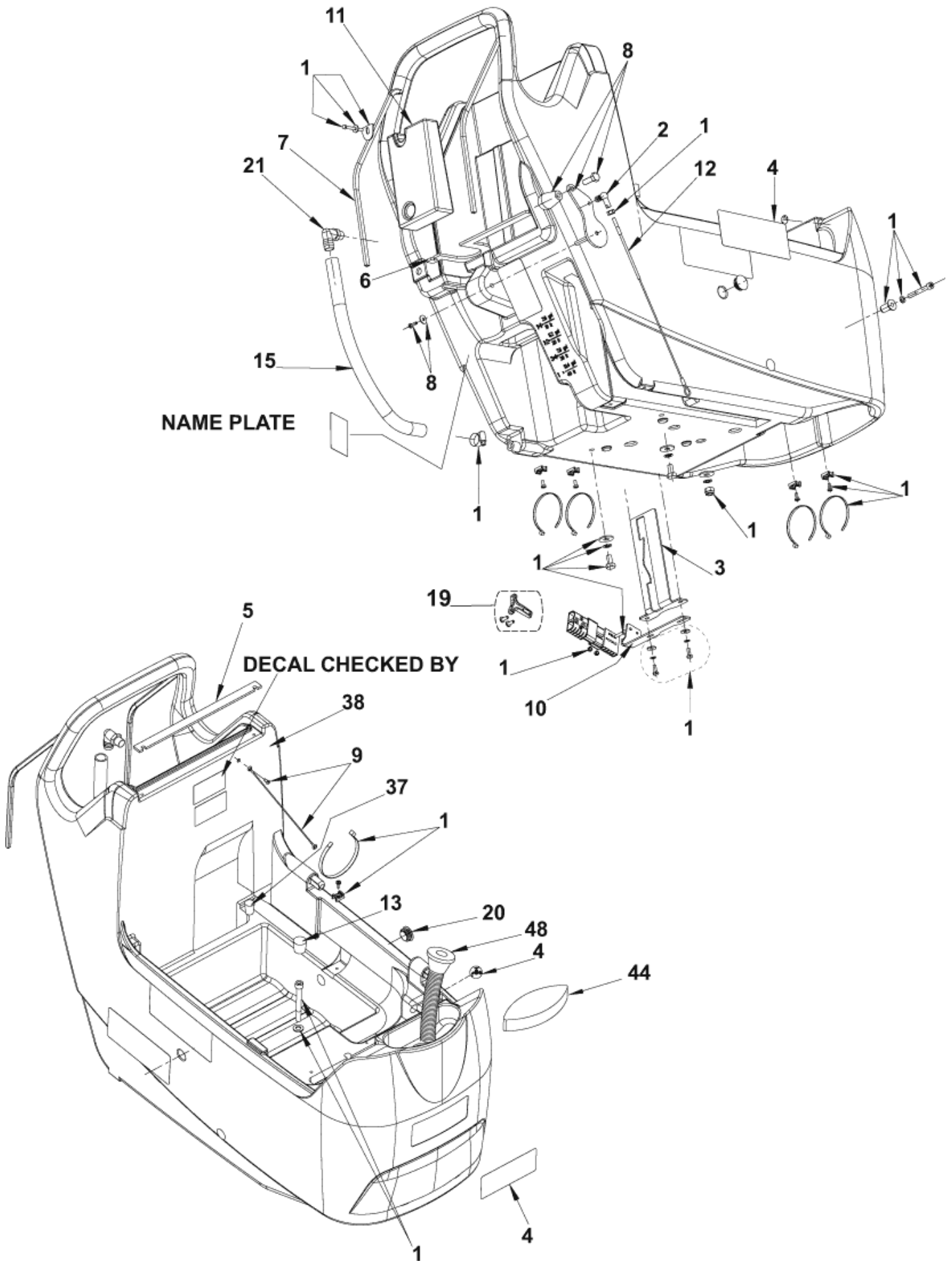
BA451/BA451D/BA531/BA 531D

09-02-2013

StyMiste ID

E18315

3



Opløsningstank

BA451/BA451D/BA531/BA 531D

09-02-2013

StyMiste ID

E18315

4

Pos	Vare nr.	Ant	Beskrivelse	
0	9096999000	1	Plate Pedal Bracket	ONLY FOR BA 531 D J
1	9098265000	1	Mont.Sæt F. Rentv andstank	
3	909 6550 000	1	SUPPORT. PEDAL	
4	9097771000	1	Decals Kit BA 451/531/D/E	
5	909 6596 000	1	Gasket	
6	909 6597 000	1	Gasket	
7	909 6892 000	2	Gasket L 960	
8	9097630000	1	Plade For Løft Af Sugefod	
9	909 6874 000	1	Cable Tank Kit	
10	909 6649 000	1	BRACKET CONNECTOR SUPPORT	
11	909 6841 000	1	WEIGHT	
12	9098673000	1	Wire For Sugefod	TSB IT 2010-053 - INST. INSTR. 9098672000
13	909 6673 000	1	CAP BLACK BP6	
15	909 6681 000	1	Slange Rent Vand Ba451	
19	1464116000	1	Handle Red Plastic Sb 120	
20	L08812457	2	Cap Tank	
21	9099374000	1	Elbow Barbe 90. Black	
37	909 6236 000	1	Gummigennemføring, Sort	
38	909 6320 000	1	Tank 431 B 35 Lt	
44	909 6650 000	1	Sponge For Water	
48	9097290000	1	Påfyldningslange	OPTION

POSITION 12 9098673000 includes also position 2.

GENINDVINDINGSTANK

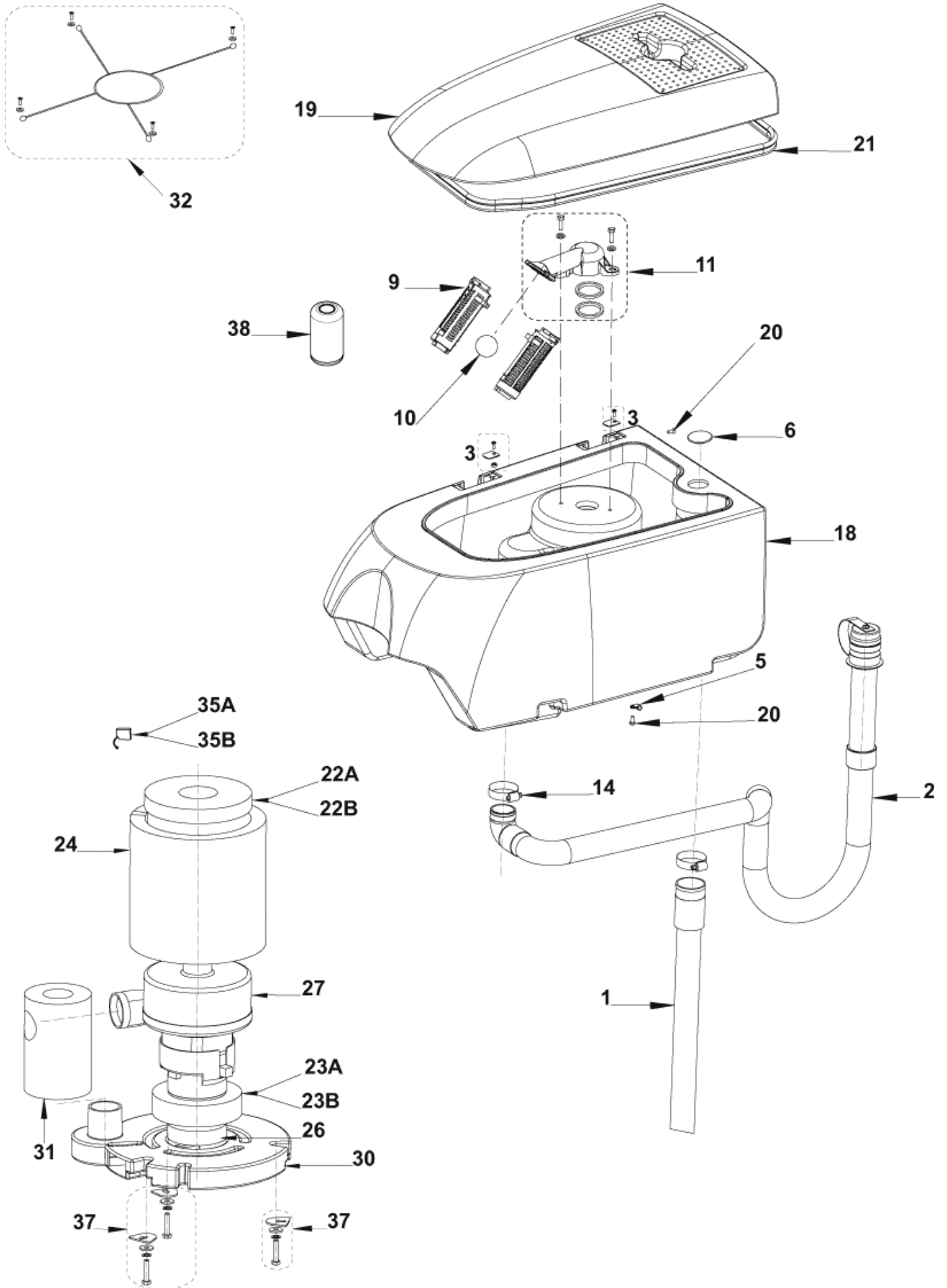
BA451/BA451D/BA531/BA 531D

09-02-2013

StyMiste ID

E18319

5



GENINDVINDINGSTANK

BA451/BA451D/BA531/BA 531D

09-02-2013

StyMiste ID

E18319

6

Pos	Vare nr.	Ant	Beskrivelse	
0	909 6876 000	1	Hardware Cage Sup.Fix.Kit	FOR OLD CAGE SUPPORT
0	9098853000	1	Elbow 90 Suct.Hose Kit Ra L7001	OPTIONAL
1	9099852000	1	Sugeslange	
2	9099165000	1	Aftapningsslange	
3	9097654000	1	Holder, Låg	
5	L08603845	1	CLAMP.CABLE	
6	909 6899 000	1	Dæksel	
9	L08812259	2	Kompl.Flyder F.Ba450/530 F.BA 450/530	
10	L08812373	1	Float Ball F.BA 450/530	
11	9097681000	1	Cage Float Holder Kit	TSB IT 2008-009 - INST.INSTR.9097680000
14	145 0543 000	2	Passring	
18	909 6321 000	1	TANK RECOVERY 35 LT	
19	909 6322 000	1	Cover.Tank 35 Lt	
20	909 6337 000	2	SCREW M5X12 UNI7687	
21	909 6901 000	1	Pakning	
24	909 6491 000	1	Panel Acoustic Insulation	
26	909 6672 000	1	Filter	
27	9099401000	1	Motor Vacuum Kit	
30	909 6051 000	1	Cover.Vacuum Motor	
31	909 6442 000	1	Pipe,Acoustic Insulation	
32	909 6734 000	1	Gummistrop Til Låg	OPTIONAL
37	909 6877 000	1	Hardware Motor Fixing Kit	
38	909 5065 000	1	Filter, Antiskum	TSB IT 2008-002 - OPTIONAL
22A	9096918000	1	Gasket. Vacuum Motor	
22B	9098057000	1	Gasket Vacuum Motor	
23A	909 6490 000	1	Gasket Vacuum Motor	
23B	9097555000	1	Gasket vacuum moter	
35A	909 5371 000	2	Kul, Sugemotor 410/343	
35B	9098231000	1	Carbon Brush Kit 2Pcs	

A: FOR MOTOR 9099401000 (AMETEK)

B: FOR MOTOR 9098062000 (VIPER)

Chassissystem

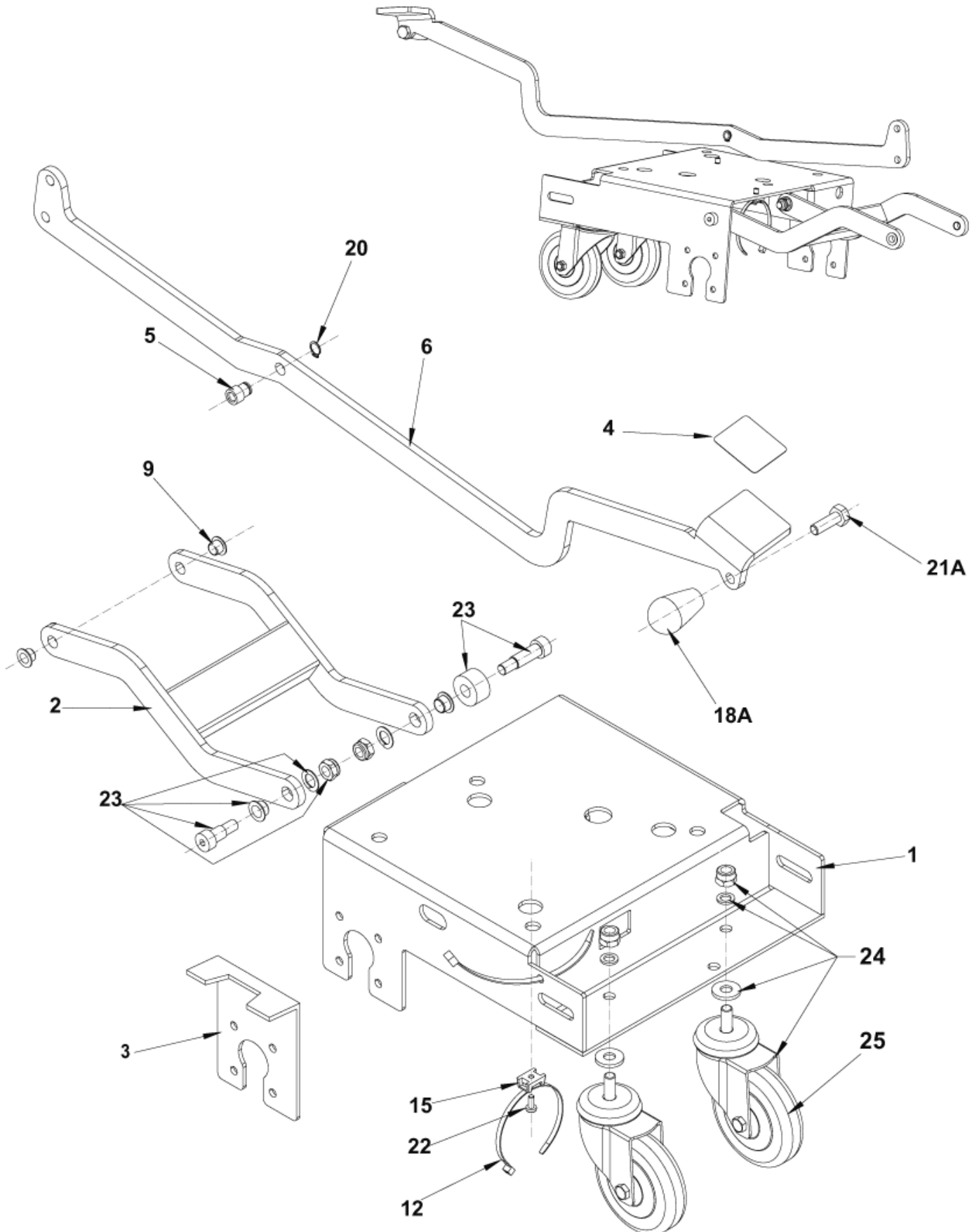
BA451/BA451D/BA531/BA 531D

09-02-2013

StyMiste ID

E183111

7



Chassissystem

BA451/BA451D/BA531/BA 531D

09-02-2013

StyMiste ID

E183111

8

Pos	Vare nr.	Ant	Beskrivelse	
1	909 6482 000	1	Chassis	
2	909 6486 000	1	Børstedæk Ophæng BA 551Cd	
3	9098587000	1	SUPPORT LEFT FOR WATERTANK KIT	INST.INSTR.9098588000 ONLY FOR DRIVE VERSIONS
4	909 6539 000	1	MAT.ANTISKID	
5	909 6540 000	1	BUSH FLANGED	
6	909 6549 000	1	Pedal. Brush Lifting	
9	909 6594 000	3	BUSH FLANGED	
12	145 0524 000	2	Black Clamp 4,8X200	
15	909 6595 000	1	HOLDER.FLAT TIE	
20	33006051	1	RING D 12 UNI7435	
22	909 6337 000	1	SCREW M5X12 UNI7687	
23	909 6878 000	1	Hardware Chas. Fixing Kit	
24	9098619000	2	Castor Hjul D.100 Pu Ss 1 Stk. M. Bolt	OPTIONAL
24	9099028000	2	Wheel Castor W/Hardw.Kit	INST. INSTR. 9099245000
25	9099014000	2	Wheel Castor Chromate	
18A	909 6621 000	1	KNOB	FOR SCRUBBER WITH DRIVE
21A	33004010	1	SCREW HEX M10X30 UNI5739	

A: ONLY FOR BA 451 D / BA 531 D

B: ONLY FOR BA 451 / BA 531

Wheels and traction

BA451/BA451D/BA531/BA 531D

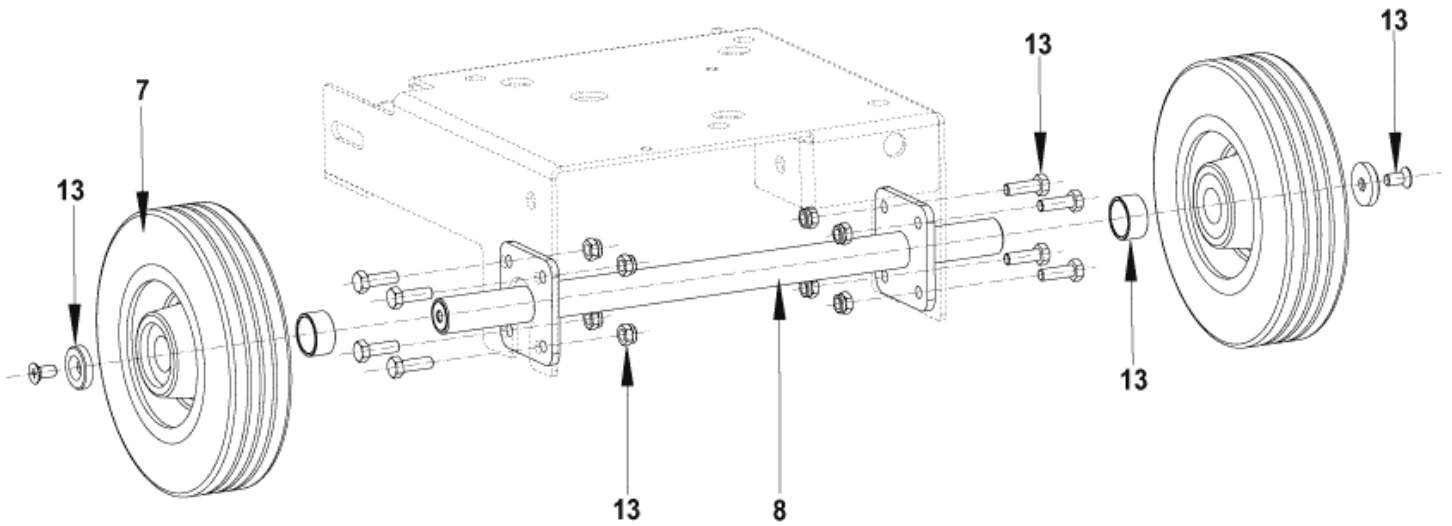
09-02-2013

StyMiste ID

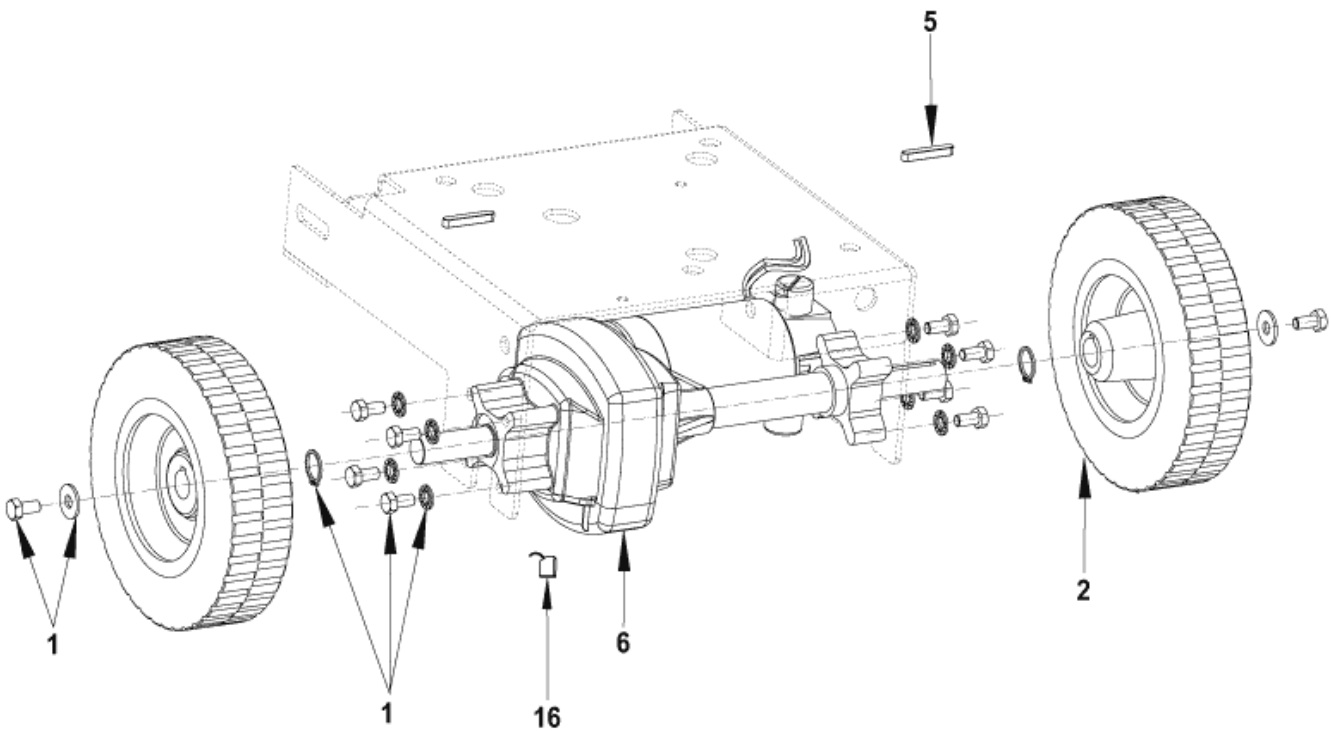
E183113

9

SENZA TRAZIONE / WITHOUT TRACTION (BA 451 / BA 531)



CON TRAZIONE / WITH TRACTION (BA 451 D / BA 531 D)



Wheels and traction

BA451/BA451D/BA531/BA 531D

09-02-2013

StyMiste ID

E183113

10

Pos	Vare nr.	Ant	Beskrivelse
1	9098298000	1	HARDWARE DRIVE WHEELS KIT
2	9097032000	2	Fronthjul, Ø200 OPTION
2	9099204000	2	Hjul Poly 65 D.200X50
5	146 0769 000	2	KEY 6X6X40 UNI6604A
6	909 6548 000	1	Køremotor 200W 24V Ba450/551/611
7	9097167000	2	WHEEL FRONT D.200 65SH OPTION
7	9099743000	1	WHEELS FRONT D.200 KIT Contains 2 wheels
8	909 6508 000	1	SHAFT WHEELS
13	9098299000	1	HARDWARE WHEELS KIT
16	145 5124 000	2	Kul F. Aw 455 Børstemotor

POSITION 2 9097032000 OPTION
POSITION 7 9097167000 OPTION

Handle assembly - BA 451 D - 531 D

BA451/BA451D/BA531/BA 531D

09-02-2013

StyMiste ID

E183115

12

Pos	Vare nr.	Ant	Beskrivelse
1	909 6578 000	1	HARNESS HANDLE BAR DRIVE
2	909 6653 000	1	HANDLE BAR
3	9097622000	1	Håndtagskit Ba611 Mf.
4	9098300000	1	Hardware Handle Assembly
5	9098792000	1	Housing Switch Lower Kit TSB IT 2010-060
10	L08812279	2	Clamp Ba450/530
11	L08812282	2	Cam Controller Ba450/530
19	909 6038 000	1	Gaffel Potentiometer Ba450/530
20	909 6471 000	1	Knob, Potentiometer
23	909 6677 000	1	Microswitch
24	9098814000	1	Potentiometer 5K 40
25	909 6544 000	1	Harness Potentiometer

OPLØSNINGSSYSTEM

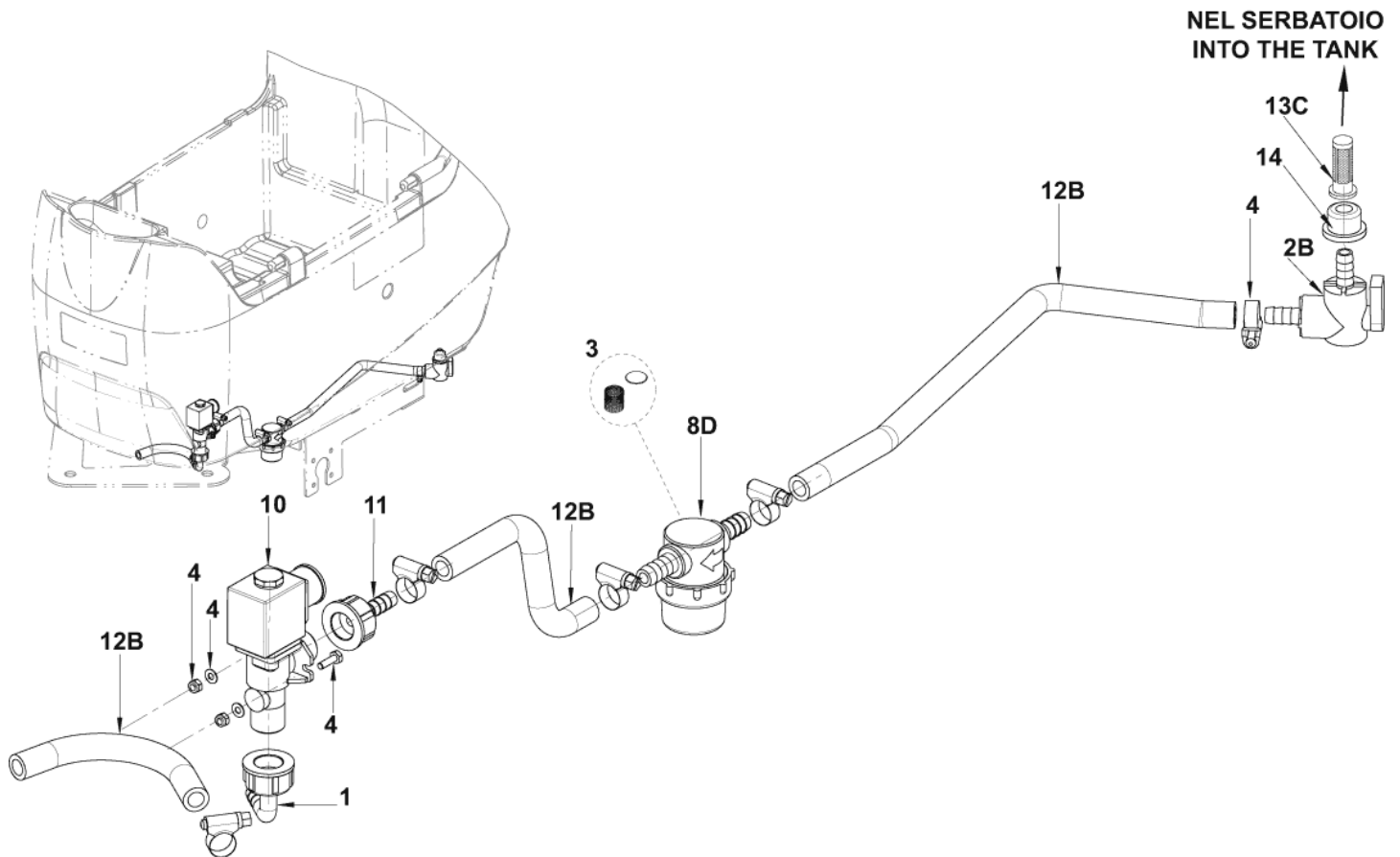
BA451/BA451D/BA531/BA 531D

09-02-2013

StyMiste ID

E183117

13



OPLØSNINGSSYSTEM

BA451/BA451D/BA531/BA 531D

09-02-2013

StyMiste ID

E183117

14

Pos	Vare nr.	Ant	Beskrivelse
1	9098777000	1	Vinkel
3	L08603893	1	Filternet+Pakn. Til 909 5151 000
4	9098301000	1	HARDWARE SOLUTION SYSTEM
0B	909 6896 000	1	Pipes Solenoid Valve Kit
10	909 6555 000	1	Solenoid Valve 24V
11	909 6636 000	1	"Slangestuds 1/2" "
14	909 5286 000	1	Pakning BA 410
2B	9096994000	1	Valve Elbow
8D	9097166000	1	Filter Complete Kit
12B	9096995000	1	Valve Elbow W/Pipes Kit
13C	9096916000	1	Filter Rentvand Ba410
			OPTION

GUMMISKRABERSYSTEM

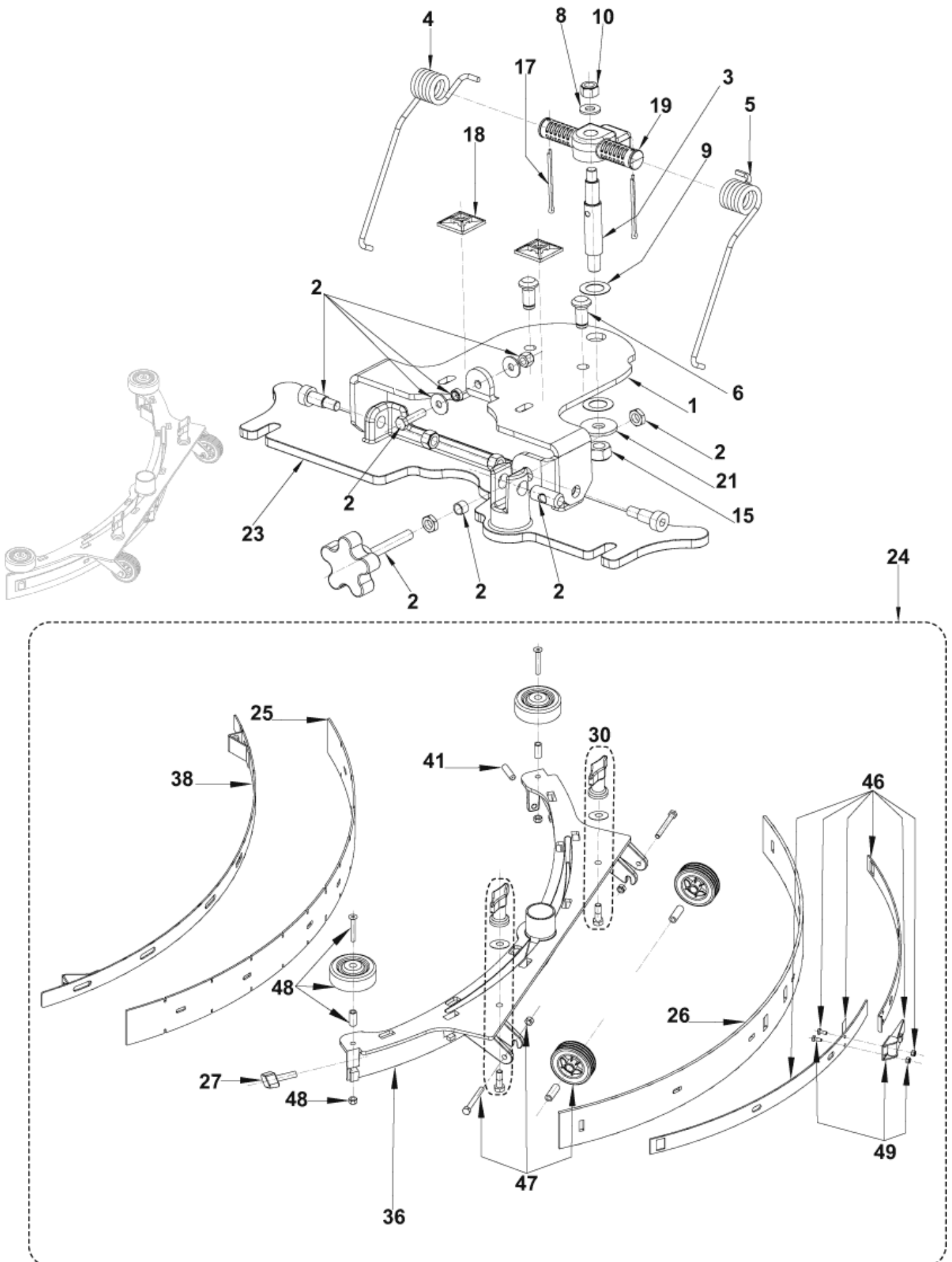
BA451/BA451D/BA531/BA 531D

09-02-2013

StyMiste ID

E183119

15



GUMMISKRABERSYSTEM

BA451/BA451D/BA531/BA 531D

09-02-2013

StyMiste ID

E183119

16

Pos	Vare nr.	Ant	Beskrivelse	
0	909 6860 000	1	"Sugegummikit 29" Std. "	INCL.POS.: 25-26
0	9097548000	1	Pakning, Nylon Kit Til Skviser	TSB IT 2007-031
1	909 6494 000	1	Bracket, Squeegee Support	
2	909 6885 000	1	Squeegee Justeringskit Ba451-551	
3	909 6497 000	1	Bolt, Squeegee	
4	909 6537 000	1	Fjeder Til Squeegee	
5	909 6538 000	1	Fjeder Til Squeegee	
6	909 6543 000	2	Pin, Squeegee Fixing	
8	33005915	1	Plain Washer 8	
9	L08238300	2	Skive	
10	33005607	3	Møtrik M8 Uni7474	
15	33005608	1	Møtrik M10 Uni7474	
17	33005758	2	Split Til Sugefod	
18	909 6635 000	2	Holder	
19	909 6052 000	1	Fjederholder For Squeegee	
21	L08604251	1	Disc 10,5 Ba340/450/530	
23	909 6045 000	1	Beslag Til Sugefod	
24	909 6851 000	1	Sugefod Kompl. Scrubt.545	
27	909 6551 000	1	Knop M8X30 Ss	
30	9097637000	2	Monteringsskrue (2 Stk)	
36	909 6044 000	1	"Sugefod 30" Kun Metaldel "	
38	909 6055 000	1	Holder For Sugegummi	
41	909 6600 000	1	SCREW GRUB M8X30 UNI5929 SS	
46	909 6882 000	1	Skinnekit	
47	909 6883 000	2	Hjul For Squeegee Kit	
48	909 6884 000	2	Påkørselshjul, Kit	
49	909 6394 000	1	Latch Squeegee Kit	

Brush system - BA 451 - BA 531

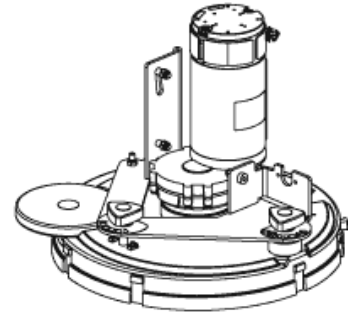
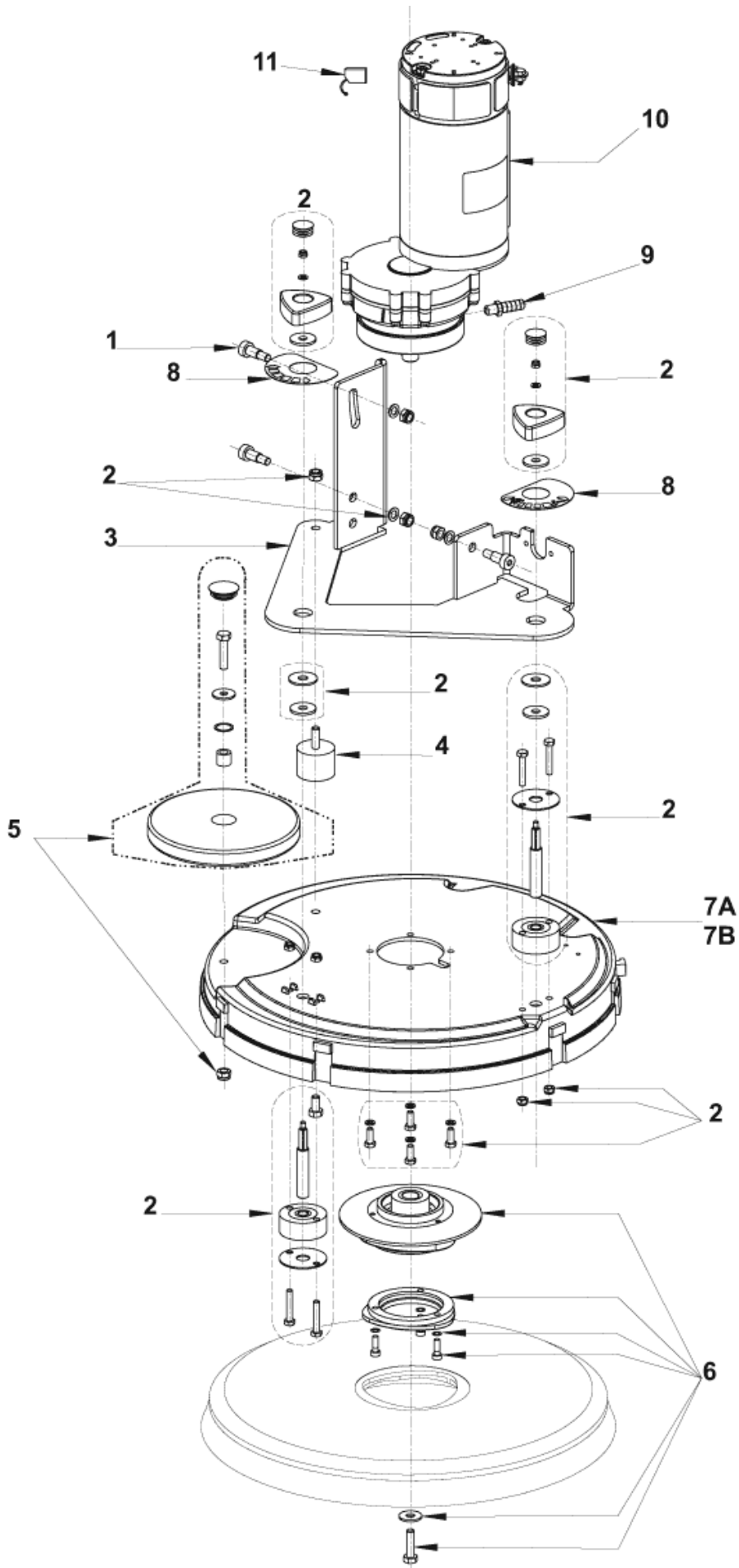
BA451/BA451D/BA531/BA 531D

09-02-2013

StyMiste ID

E183123

17



Brush system - BA 451 - BA 531

BA451/BA451D/BA531/BA 531D

09-02-2013

StyMiste ID

E183123

18

Pos	Vare nr.	Ant	Beskrivelse	
0	9097599000	1	Beskyttelsessæt	TSB IT 2008-014 - OPTION- INST.INSTR.909760000 FOR
0	L08812480	1	Polyg. Holder Ba450/530	
1	909 6495 000	3	SCREW 10X16 M8 ISO7379 12.9 GEOMET 320 A	
2	9099419000	1	Justeringssæt F. Børste	
3	909 6485 000	1	Plate Deck Brush Holder	
4	9097184000	1	Vibration Damping M8 60Sh	
5	909 6887 000	1	Stødhjul	
6	9097093000	1	Børsteholder Poly Kit	
8	9097771000	1	Decals Kit BA 451/531/D/E	
9	L08601624	1	Slangestuds Plast	
10	9098308000	1	Gearmotor 450W 24V	
11	909 5380 000	1	Carbon Brush Kit	FOR REDUCTION GEARMOTOR 909 6546 000 (LEROY SOMER)
11	9098376000	1	BRUSH CARBON KIT 4 PCS	FOR REDUCTION GEARMOTOR 9098308000 (AMER)
11	9098674000	1	BRUSH CARBON KIT 4PCS	FOR REDUCTION GEARMOTOR 9098352000 (VIPER)
7A	909 6043 000	1	Børsteskjold	450MM/17"
7B	909 6042 000	1	Børste Dæksel	530MM/20"

Brush system - BA 451 D - BA 531 D

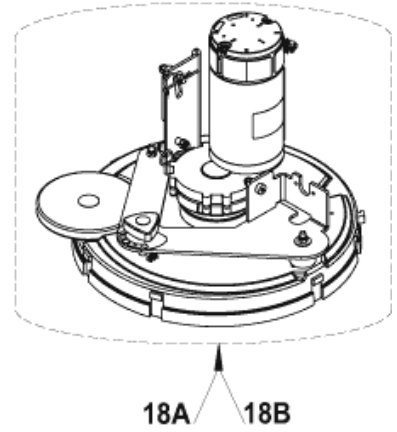
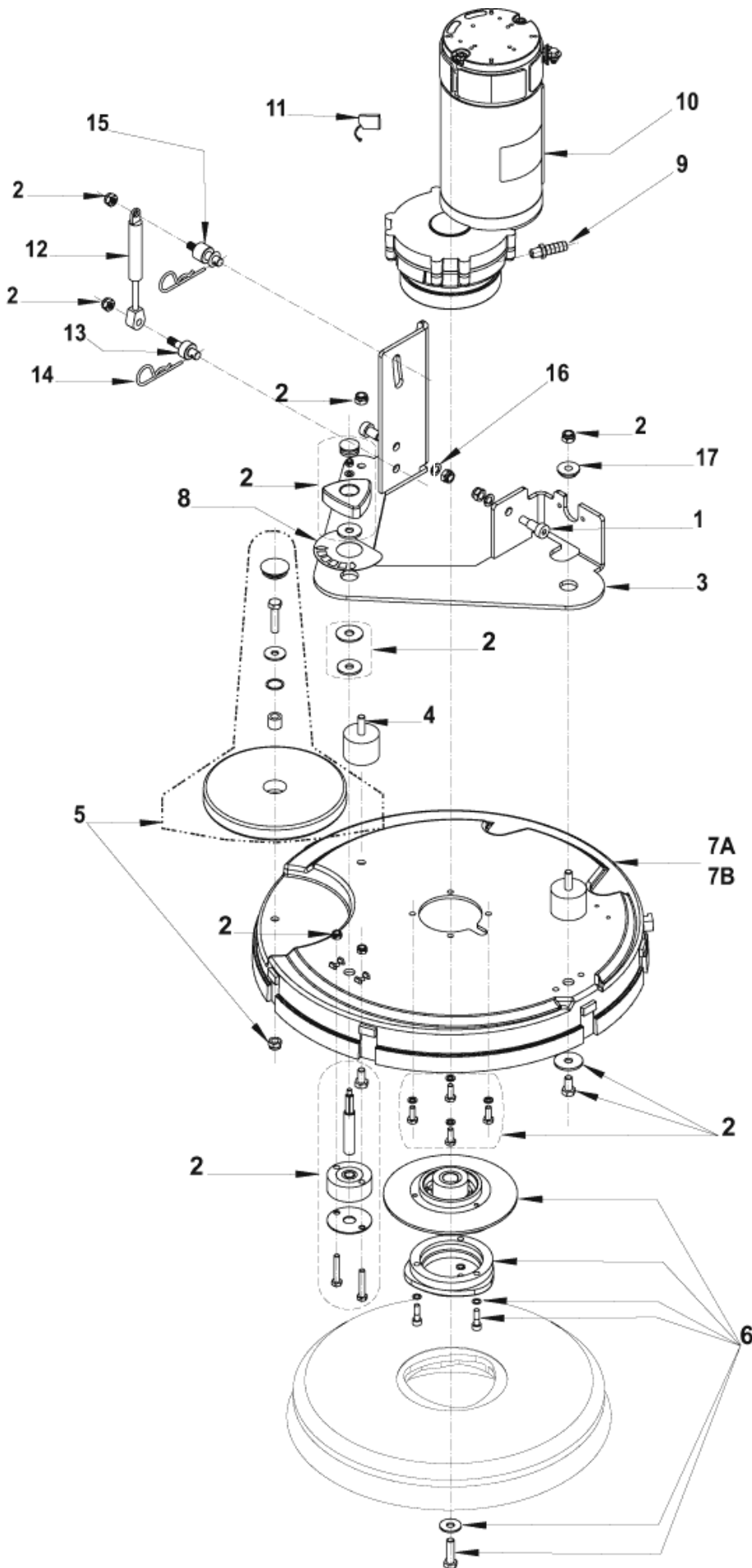
BA451/BA451D/BA531/BA 531D

09-02-2013

StyMiste ID

E183127

19



Brush system - BA 451 D - BA 531 D

BA451/BA451D/BA531/BA 531D

09-02-2013

StyMiste ID

E183127

20

Pos	Vare nr.	Ant	Beskrivelse	
0	9097599000	1	Beskyttelsessæt	TSB IT 2008-014 - OPTION - INST.INSTR.909760000 FO
0	L08812480	1	Polyg. Holder Ba450/530	
1	909 6495 000	3	SCREW 10X16 M8 ISO7379 12.9 GEOMET 320 A	
2	9099419000	1	Justeringssæt F. Børste	
3	909 6485 000	1	Plate Deck Brush Holder	
4	9097184000	1	Vibration Damping M8 60Sh	
5	909 6887 000	1	Stødhjul	
6	9097093000	1	Børsteholder Poly Kit	
8	9097771000	1	Decals Kit BA 451/531/D/E	
9	L08601624	1	Slangestuds Plast	
10	9098308000	1	Gearmotor 450W 24V	STARTING FROM SERIAL NUMBER 111332741
11	909 5380 000	1	Carbon Brush Kit	FOR REDUCTION GEARMOTOR 909 6546 000 (LEROY SOMER)
11	9098376000	1	BRUSH CARBON KIT 4 PCS	FOR REDUCTION GEARMOTOR 9098308000 (AMER)
12	909 6514 000	1	Spring Gas	
13	909 6516 000	1	PIN LOWER	
14	145 8564 000	2	Saxpinne	
15	909 6515 000	1	Pin Upper	
16	33005842	2	WASHER M8 UNI1751B	
17	909 6513 000	1	BUSH FLANGED	
7A	909 6043 000	1	Børsteskjold	
7B	909 6042 000	1	Børste Dæksel	
18A	909 6852 000	1	BRUSH DECK 450MM/18 KIT	
18B	909 6853 000	1	BRUSH DECK 530MM/21 KIT	

Accessories brushes

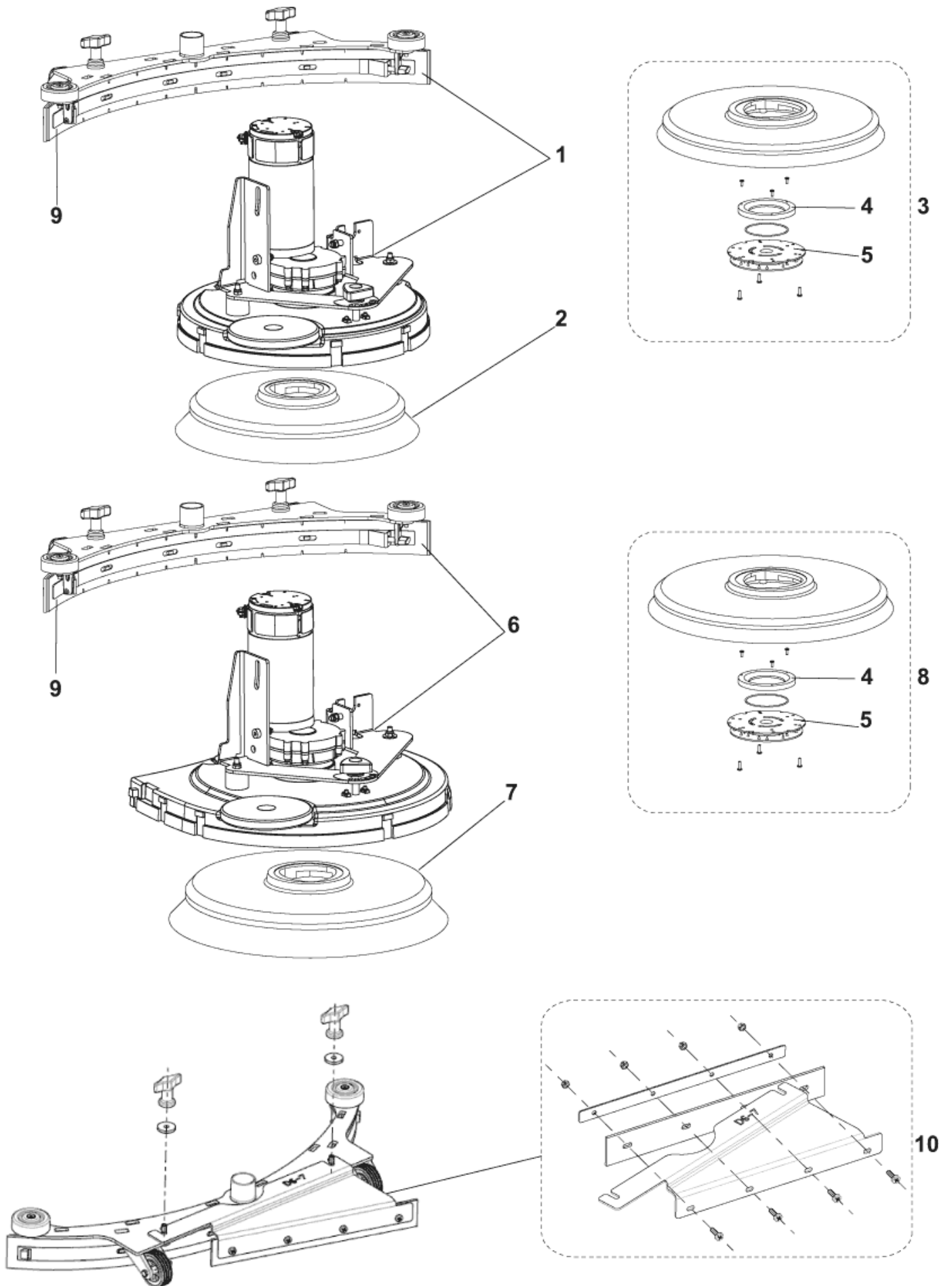
BA451/BA451D/BA531/BA 531D

09-02-2013

StyMiste ID

E183138

21



Accessories brushes

BA451/BA451D/BA531/BA 531D

09-02-2013

StyMiste ID

E183138

22

Pos	Vare nr.	Ant	Beskrivelse
0	909 6858 000	1	"Sugegummikit 29"" Olieres. Pu"
0	909 6860 000	1	"Sugegummikit 29"" Std. "
1	909 6847 000	1	BRUSH DECK 450MM/18 KIT W
2	L08837020	1	Børste, Prolene 450 Mm
2	L08837021	1	Børste, Prolite 450 Mm
2	L08837022	1	Børste, Union Mix 450 Mm
2	L08837023	1	Børste, Sica 450 Mm
2	L08837024	1	Børste, Midgrit 240 450 Mm
3	L08837017	1	Padholder, 450 Mm
4	L08603966	1	Ring Nylon
5	L08837030	1	Centerlås 450/530
6	909 6848 000	1	BRUSH DECK 530MM/21 KIT WITH
7	L08837025	1	Børste, Prolene 530 Mm
7	L08837026	1	Børste, Prolite 530 Mm
7	L08837027	1	Børste, Union Mix 530 Mm
7	L08837028	1	Børste, Sica Grit 180 530 Mm
7	L08837029	1	Børste, Mid Grit 240 530 Mm
7	L08837065	1	Børste Magna Grit 46 530 Mm
7	L08837066	1	Børste, Dyna Grit 530 Mm
7	L08837067	1	Børste Aglite Grit 530 Mm
8	L08837018	1	Padholder, 530 Mm
9	909 6851 000	1	Sugefod Kompl. Scrubt.545
9	L08603878	1	Squeegee Komp.Ba450/530
10	9098343000	1	Tredje Sugelæbe Kit 451/531 551/611
			OPTION - INST.INSTR. 9098337000

Control panel system - BA 451 - 531

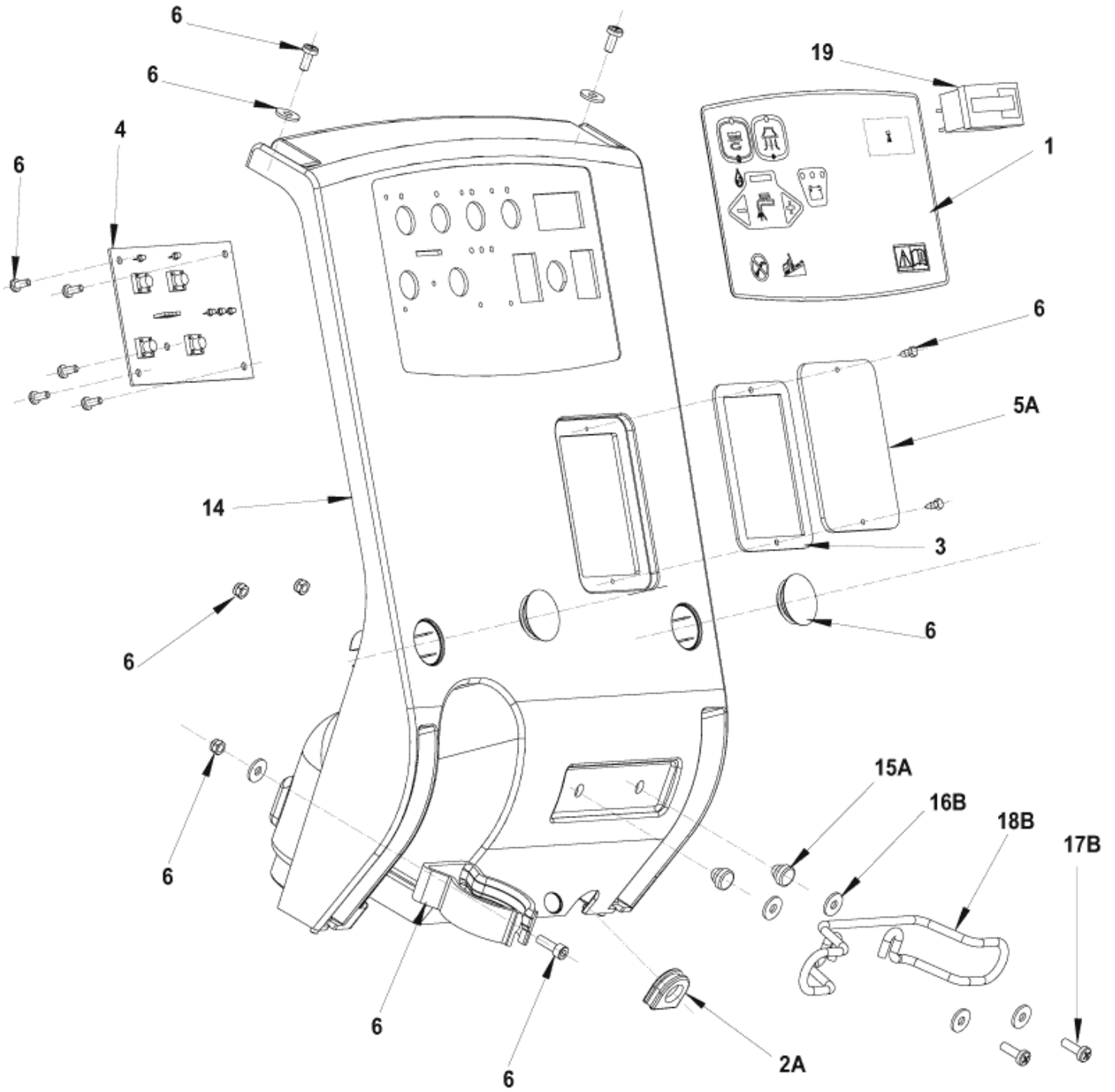
BA451/BA451D/BA531/BA 531D

09-02-2013

StyMiste ID

E183141

23



Control panel system - BA 451 - 531

BA451/BA451D/BA531/BA 531D

09-02-2013

StyMiste ID

E183141

24

Pos	Vare nr.	Ant	Beskrivelse
0	145 8368 000	1	Säkring
1	9098635000	1	Decal Control Panel TSB IT 2009-025
3	909 6545 000	1	GASKET
4	909 6552 000	1	Elektronikkort BA 531 BEFORE SERIAL NUMBER 072115094
4	9097006000	1	Card Electronic STARTING FROM SERIAL NUMBER 072115094
6	9098302000	1	Hardware Control Panel Ki T
14	9097649000	1	Cov er Control Panel Kit
19	9096951000	1	Timetæller 24V Kit OPTION - INST-INSTR.9096952000
2A	909 6542 000	1	GROMMET
5A	909 6655 000	1	COVER F INSPECTION PLATE
15A	909 6553 000	2	FEET RUBBER
16B	145 1261 000	4	Plain Washer 5X15 Zn
17B	146 2090 000	2	SCREW M5X16 UNI7687
18B	909 5149 000	1	Kabelholder

A : ONLY VERSION WITHOUT BATTERY CHARGER ON BOARD

B : ONLY VERSION WITH BATTERY CHARGER ON BOARD

Control panel system - BA 451 D - 531 D

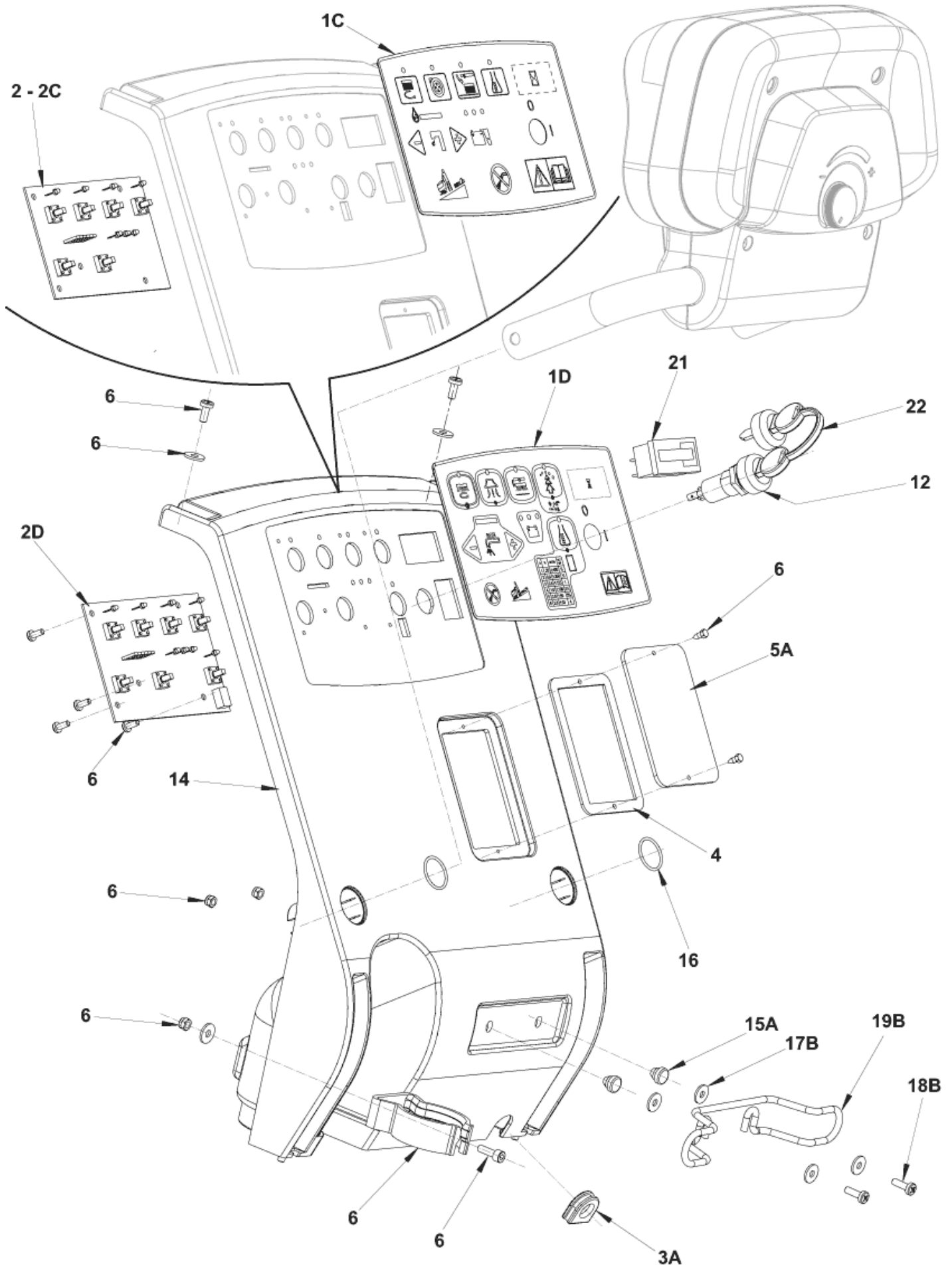
BA451/BA451D/BA531/BA 531D

09-02-2013

StyMiste ID

E183143

25



Control panel system - BA 451 D - 531 D

BA451/BA451D/BA531/BA 531D

09-02-2013

StyMiste ID

E183143

26

Pos	Vare nr.	Ant	Beskrivelse
0	145 8368 000	2	Säkring
0	909 6678 000	1	FUSE 20A GLASS DELAYED
2	909 6499 000	1	Card,Electronic Control P BEFORE S.NO.072014255
4	909 6545 000	1	GASKET
6	9098302000	1	Hardware Control Panel Ki T
12	146 2888 000	1	Tændingsnøgle
14	9098632000	1	Panel
16	909 6675 000	2	SEAL.O-RING 132
1C	909 6057 000	1	Decal Control Panel TSB IT 2009-025 - VALID TILL MAY 2010
1D	9098634000	1	Decal Control Panel Ecoflex STARTING FROM JUNE 2010
21	9096951000	1	Timetæller 24V Kit OPTION- INST.INSTR.9096952000
22	146 2887 000	1	Nøgle (2 Pcs) Ba510Sd
2C	9097007000	1	Card Electronic FROM S.NO.072014255
2D	9098555000	1	Electronic kort STARTING FROM JUNE 2010
3A	909 6542 000	1	GROMMET
5A	909 6655 000	1	COVER F INSPECTION PLATE
15A	909 6553 000	2	FEET RUBBER
17B	145 1261 000	4	Plain Washer 5X15 Zn
18B	146 2090 000	2	SCREW M5X16 UNI7687
19B	909 5149 000	1	Kabelholder

Note:

A : ONLY VERSION WITHOUT BATTERY CHARGER ON BOARD

Electrical components - BA 451 - 531

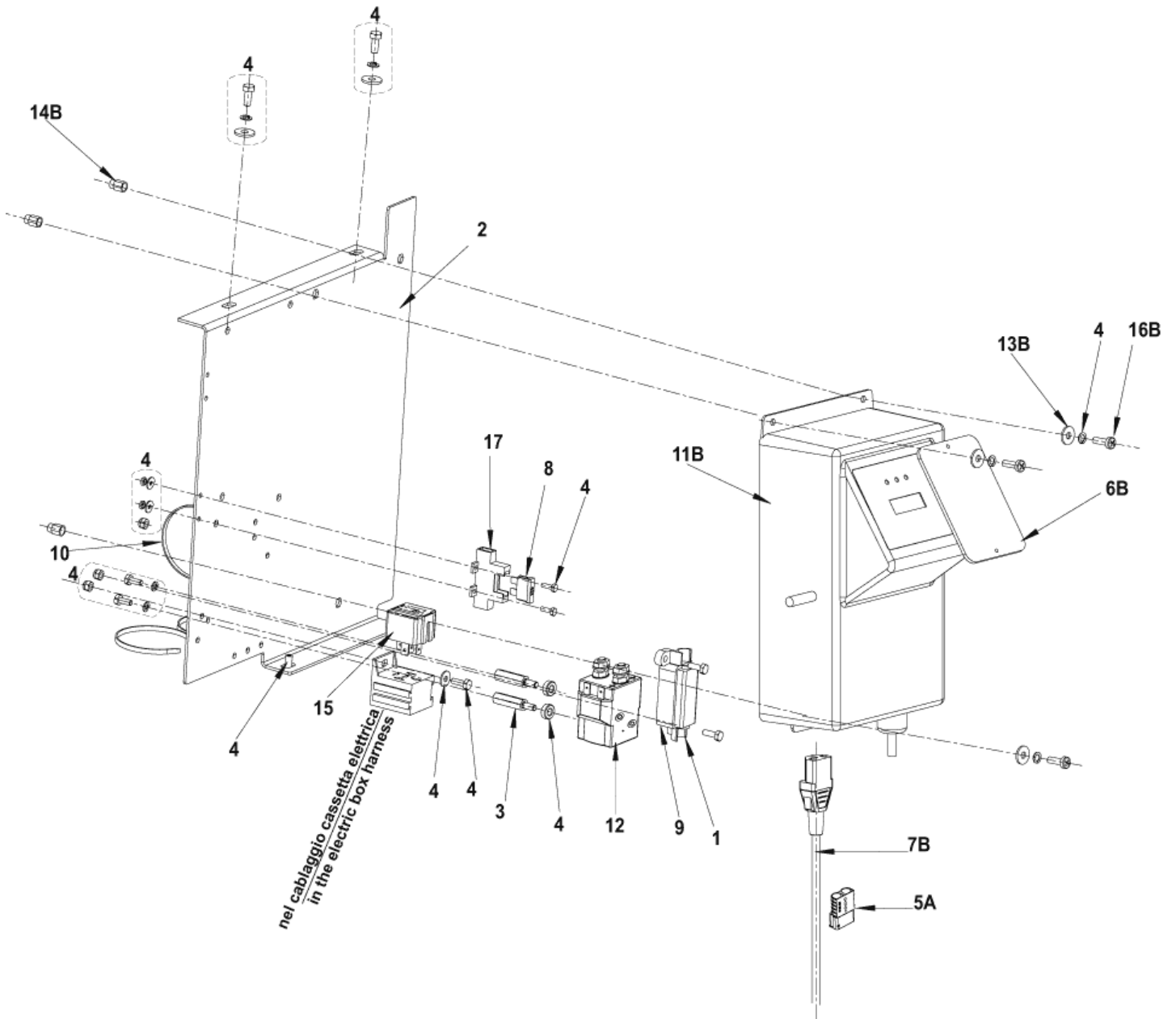
BA451/BA451D/BA531/BA 531D

09-02-2013

StyMiste ID

E183145

27



Electrical components - BA 451 - 531

BA451/BA451D/BA531/BA 531D

09-02-2013

StyMiste ID

E183145

28

Pos	Vare nr.	Ant	Beskrivelse	
0	909 6616 000	1	HARNESS ELECTRIC BOX	before SN 070100309
0	909 6618 000	1	Harness Battery	
0	909 6840 000	1	HARNESS VACUUM MOTOR	
0	909 6844 000	1	HARNESS MACHINE	before SN 070100309
0	9096963000	1	HARNESS ELECTRIC BOX	starting from SN 070100309
0	9096971000	1	HARNESS MACHINE	starting from SN 070100309
0	9097590000	1	Batteri Kabel	
1	145 8046 000	1	Säkeringshållare	
2	909 6498 000	1	SUPPORT ELECTRIC COMP.	
3	909 6676 000	2	SPACER M4 L25	
4	9098303000	1	HARDWARE ELECTRIC SYSTEM	
8	145 8513 000	1	Sikring 30A	
9	145 3824 000	1	Sikring 40A,Bladsikring	
10	145 1449 000	3	CLAMP 3.6x140	
12	9097208000	1	Vacum Relæ 24V	
15	909 6622 000	1	Relæ 24V 40A	
17	146 0660 000	2	Holder Fuse	
5A	9098762000	1	Ladestik, Rød 120 A	
6B	909 5313 000	1	Plate Inspection Transp.	
7B	909 5633 000	1	Ladeledning Ba410	
7B	909 5676 000	1	CABLE EXTENSION UK PLUG	
7B	9096914000	1	Cable Extension Us Plug	
11B	9098297000	1	Lader (Indbygget) 24V 13A	
13B	33005912	3	WASHER M5 UNI6592	
14B	145 6132 000	3	INSERT M5	
16B	146 1711 000	3	SCREW M5X20 UNI7687	

A: ONLY VERSIONS WITHOUT BATTERY CHARGER ON BOARD

B: ONLY VERSIONS WITH BATTERY CHARGER ON BOARD

Electrical components - BA 451 D - 531 D

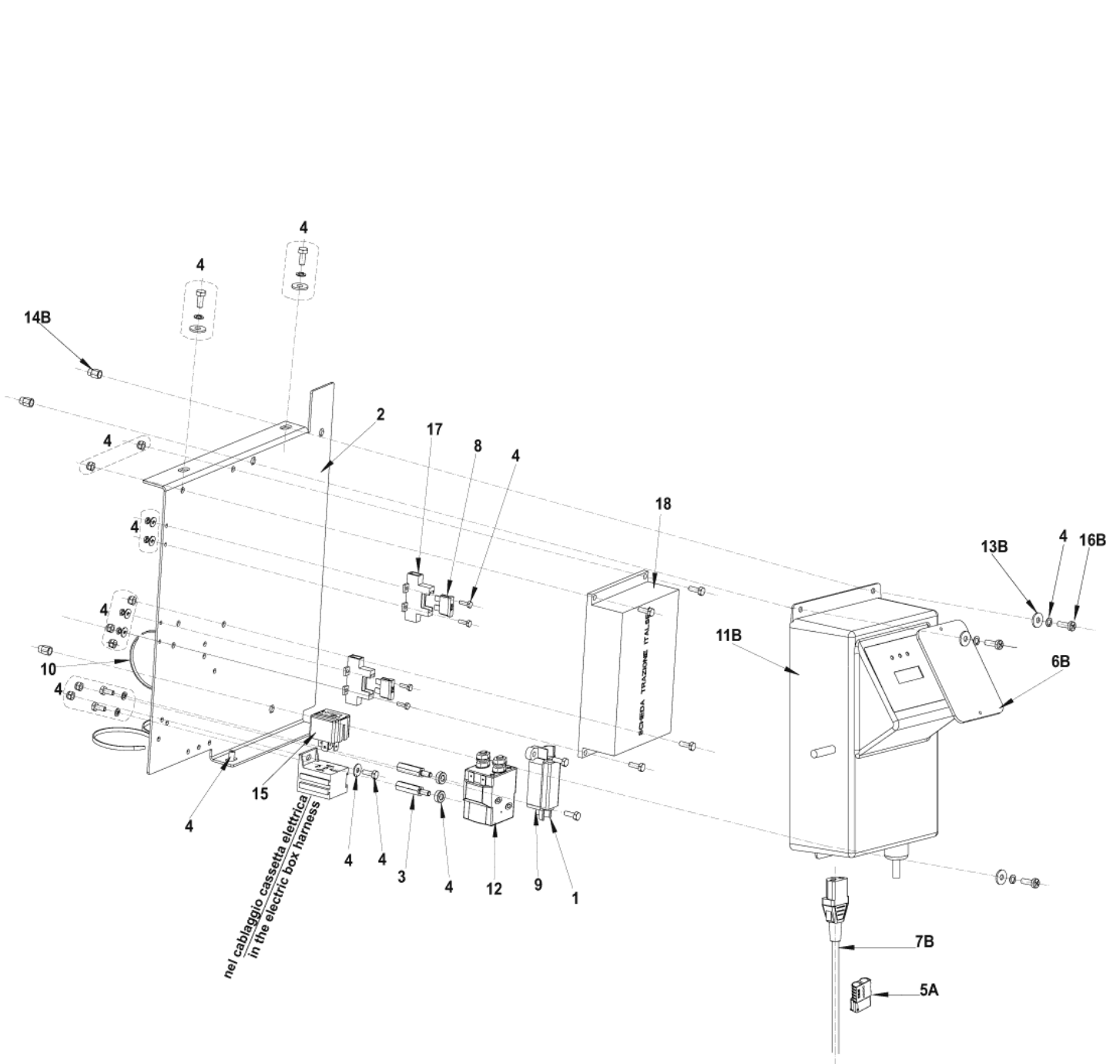
BA451/BA451D/BA531/BA 531D

09-02-2013

StyMiste ID

E183147

29



Electrical components - BA 451 D - 531 D

BA451/BA451D/BA531/BA 531D

09-02-2013

StyMiste ID

E183147

30

Pos	Vare nr.	Ant	Beskrivelse	
0	909 6617 000	1	HARNESS ELECTRIC BOX	before SN 064927239
0	909 6618 000	1	Harness Battery	
0	909 6839 000	1	HARNESS MACHINE	before SN 064927239
0	909 6840 000	1	HARNESS VACUUM MOTOR	
0	9096964000	1	HARNESS ELECTRIC BOX	starting from SN 064927239
0	9096972000	1	Harness Machine	FROM S. NO. 064927239
0	9097590000	1	Batteri Kabel	
0	9098640000	1	HARNESS MACHINE	FROM JUNE 2010
1	145 8046 000	1	Säkeringshållare	
2	909 6498 000	1	SUPPORT ELECTRIC COMP.	
3	909 6676 000	2	SPACER M4 L25	
4	9098303000	1	HARDWARE ELECTRIC SYSTEM	contains all Hardware shown in this system
8	145 8513 000	2	Sikring 30A	
9	145 3824 000	1	Sikring 40A,Bladsikring	
10	145 1449 000	3	CLAMP 3.6x140	
12	9097209000	1	Switch Electromagnetic 24V	
15	909 6622 000	1	Relæ 24V 40A	
17	146 0660 000	2	Holder Fuse	
18	9096908000	1	Print	
5A	9098762000	1	Ladestik, Rød 120 A	
6B	909 5313 000	1	Plate Inspection Transp.	
7B	909 5633 000	1	Ladeledning Ba410	
7B	909 5676 000	1	CABLE EXTENSION UK PLUG	
7B	9096914000	1	Cable Extension Us Plug	
11B	9098297000	1	Lader (Indbygget) 24V 13A	
13B	33005912	3	WASHER M5 UNI6592	
14B	145 6132 000	3	INSERT M5	
16B	146 1711 000	3	SCREW M5X20 UNI7687	

A: ONLY VERSIONS WITHOUT BATTERY CHARGER ON BOARD

B: ONLY VERSIONS WITH BATTERY CHARGER ON BOARD

Accessories Extra pressure-Splash guards

BA451/BA451D/BA531/BA 531D

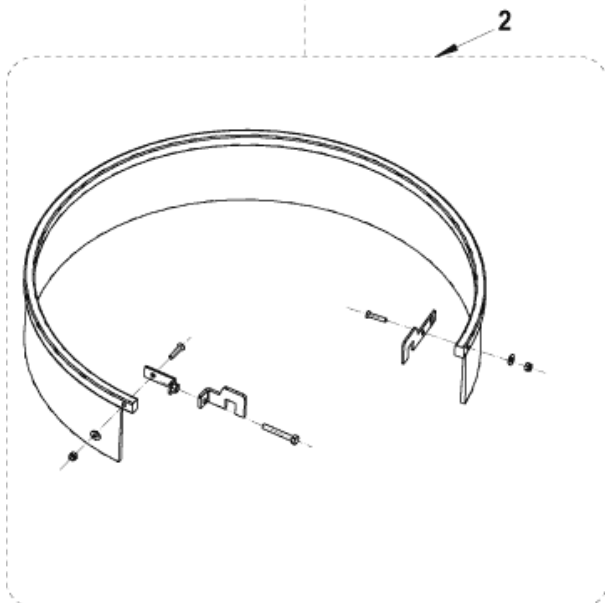
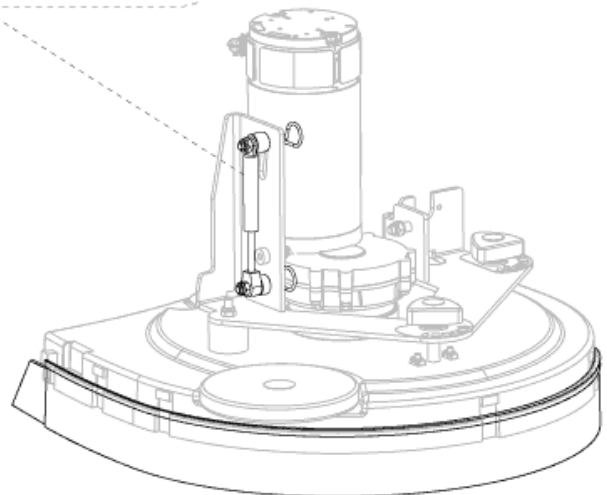
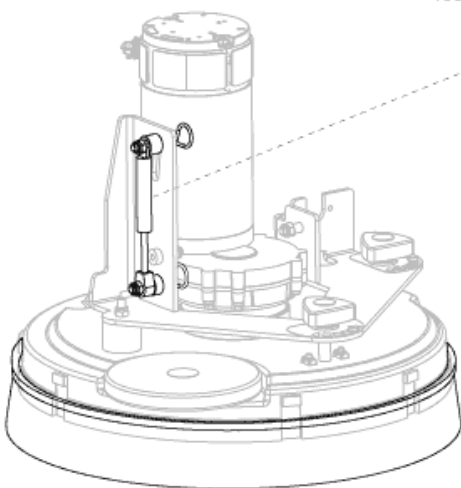
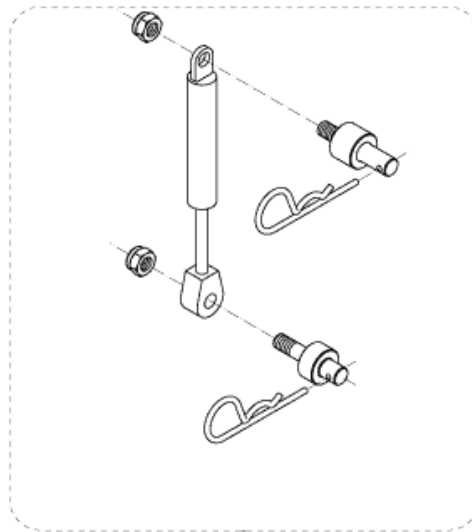
09-02-2013

StyMiste ID

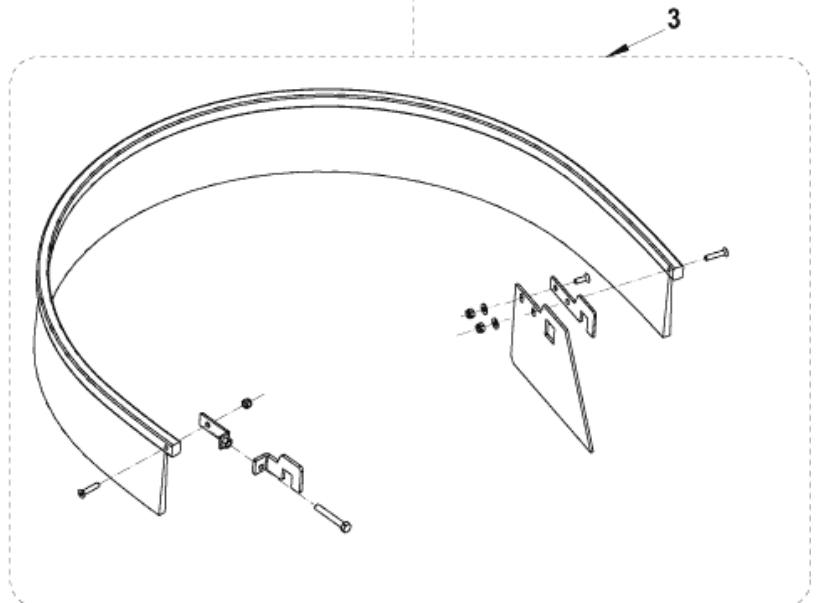
E183149

31

KIT EXTRA PRESSIONE - EXTRA PRESSURE KIT (BA 451 / BA 531)



KIT PARASPRUZZI 17"
SPLASH GUARD 17" KIT
(BA 451 / BA 451 D)



KIT PARASPRUZZI 20"
SPLASH GUARD 20" KIT
(BA 531 / BA 531 D)

Accessories Extra pressure-Splash guards

BA451/BA451D/BA531/BA 531D

09-02-2013

StyMiste ID

E183149

32

Pos	Vare nr.	Ant	Beskrivelse	
1	909 6738 000	1	Børstetryk Ekstra Kit	OPTION- INST.INSTR. 909 6759 000
2	909 6737 000	1	Børsteinddækningssæt	OPTION- INST.INSTR. 909 6745 000
3	909 6736 000	1	"Stænkskørt Kit 21"/530Mm "	OPTION- INST.INSTR. 909 6745 000

Accessories Battery Charger

BA451/BA451D/BA531/BA 531D

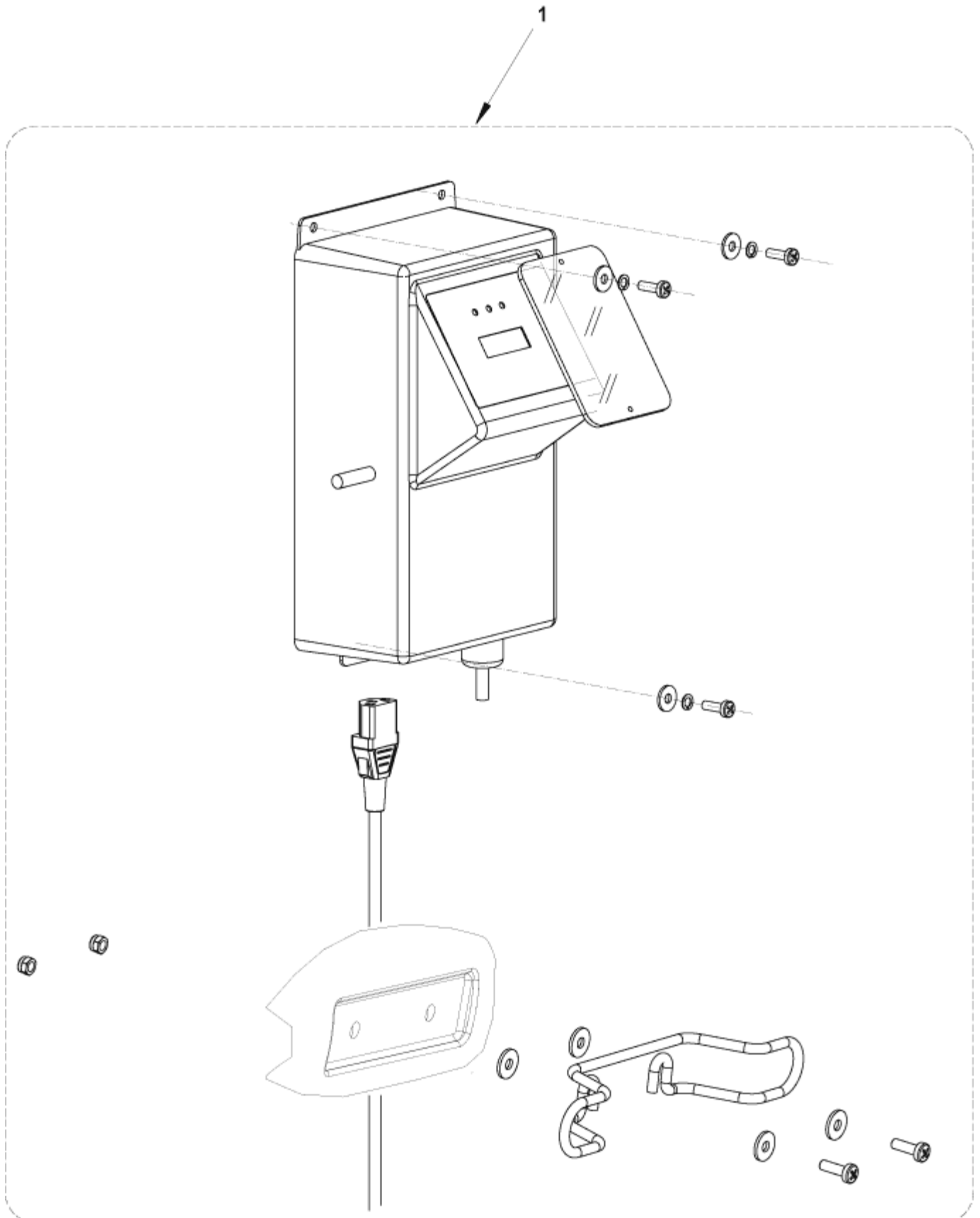
09-02-2013

StyMiste ID

E183151

33

KIT CARICABATTERIA - BATTERY CHARGER KIT



Accessories Battery Charger

BA451/BA451D/BA531/BA 531D

09-02-2013

StyMiste ID

E183151

34

Pos	Vare nr.	Ant	Beskrivelse	
0	909 5633 000	1	Ladeledning Ba410	EU
0	9096914000	1	Cable Extension Us Plug	US
0	9098259000	1	CHARGER BAT.ON BOARD JAP KIT	JAPAN -OPTION- INST.INSTR. 9098262000
0	9098260000	1	CHARGER BATTERY ON BOARD JAP	JAPAN
1	909 6739 000	1	Lader Indb. Kit	EU -OPTION- INST.INSTR. 909 6746 000

Accessories Ecoflex system

BA451/BA451D/BA531/BA 531D

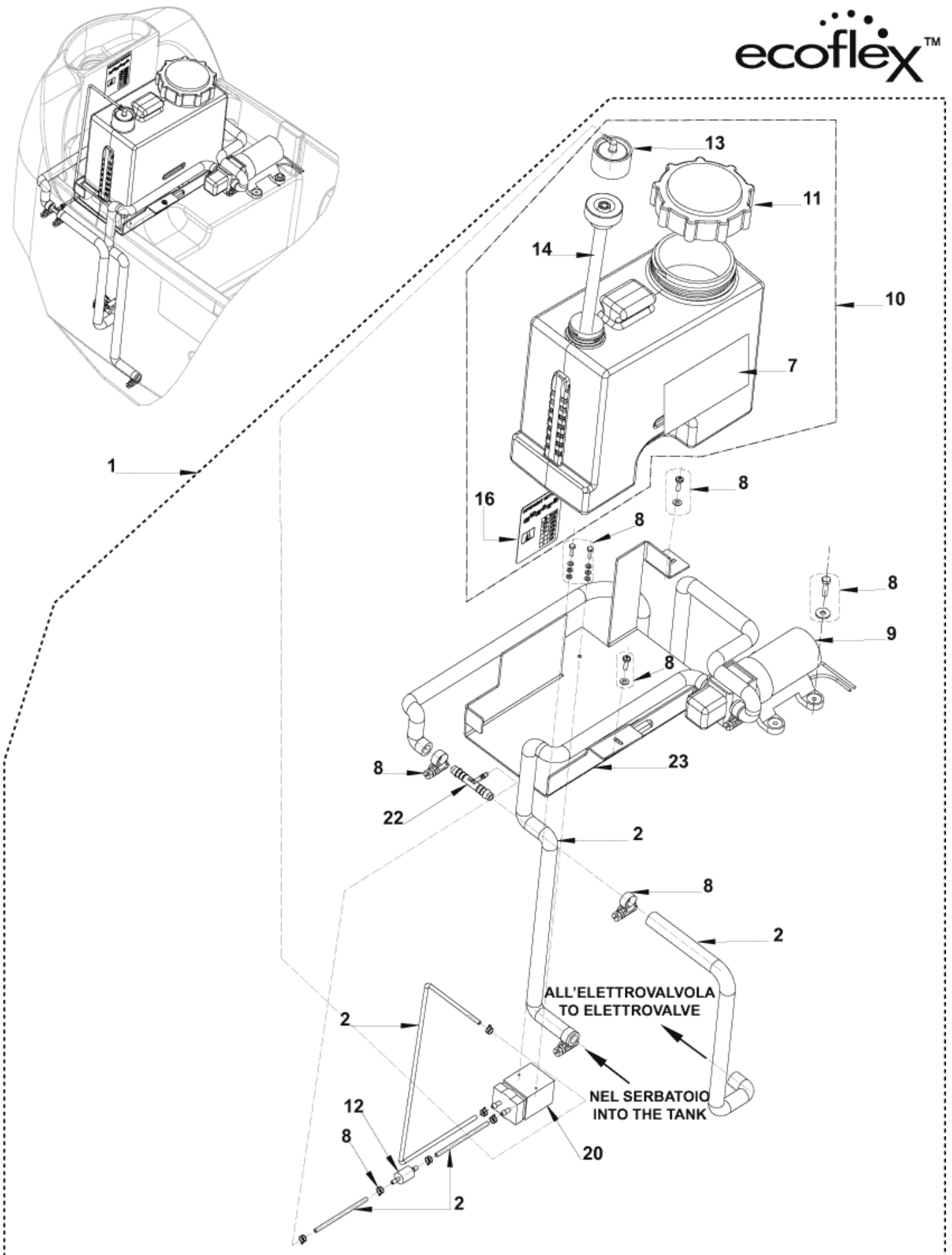
09-02-2013

StyMiste ID

E183153

35

ecoflex™



Accessories Ecoflex system

BA451/BA451D/BA531/BA 531D

09-02-2013

StyMiste ID

E183153

36

Pos	Vare nr.	Ant	Beskrivelse
0	909 6187 000	1	HARNESS PUMP
1	909 6743 000	1	Ecoflex Kit BA 451/531 D Accessory - INST.INSTR.9096936000
2	909 6806 000	1	Pipes Chemical Mix Kit
7	909 6902 000	1	DECAL REWRITABLE
8	9098264000	1	HARDWARE EDS SYSTEM KIT
9	56315108	1	Pumpe 24V
10	909 6903 000	1	Ecoflex Kemibeholder Kit
11	56315517	1	Låg Ecoflex Beholder Stort
12	56315522	1	Check Valve 1/8 Barb 12 5Psi
13	56315523	1	Låg Ecoflex Beholder Lille
14	56315527	1	Rør Ecoflex Beholder
16	909 6592 000	1	DECAL DETERGENT ADJUSTING
20	909 6183 000	1	Pumpe, Kemikalie Eds
22	909 6092 000	1	HOLDER RUBBER T
23	909 6639 000	1	BRACKET

Wiring diagram - BA 451 - 531

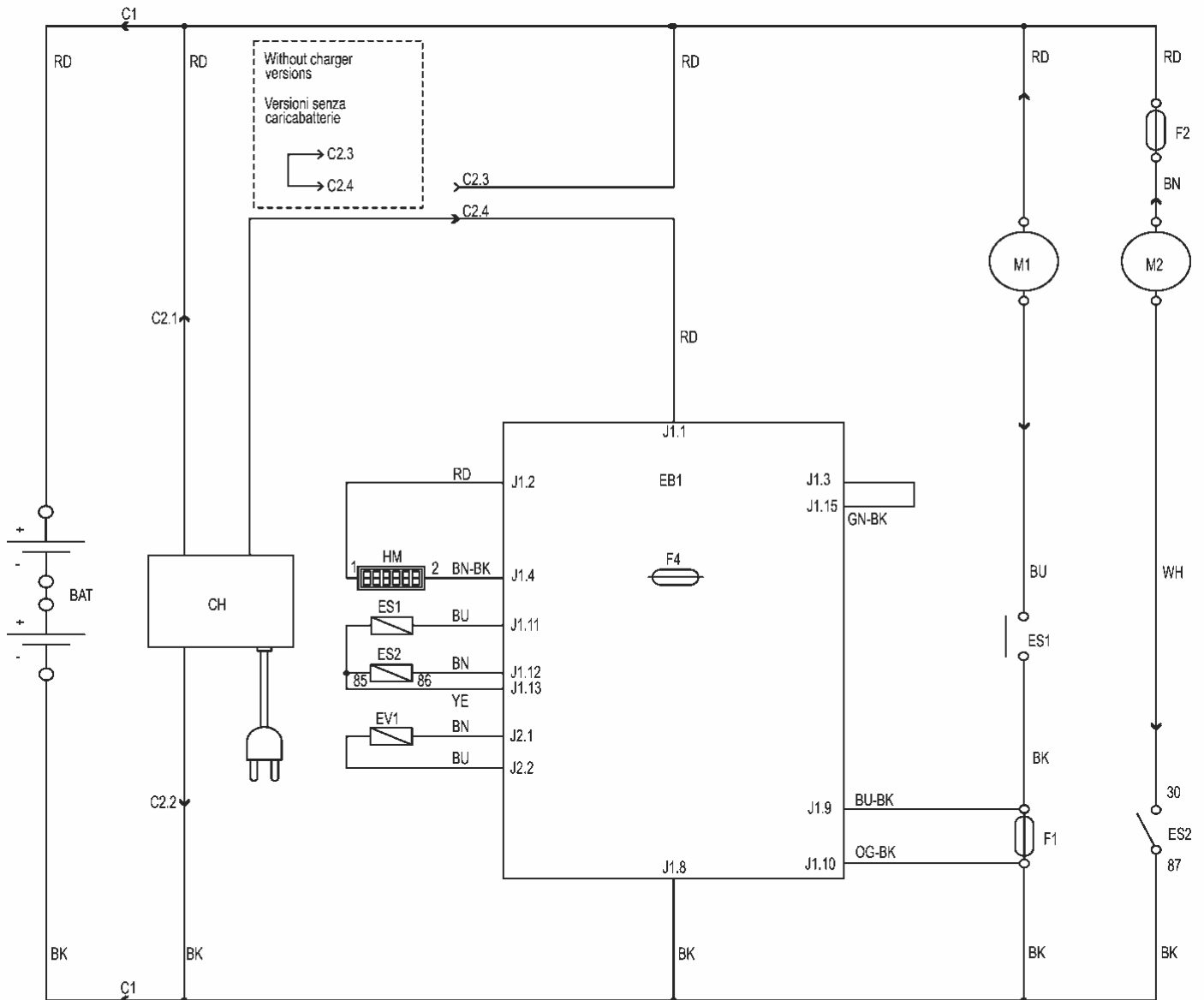
BA451/BA451D/BA531/BA 531D

09-02-2013

StyMiste ID

E183154

37



WIRING DIAGRAM
BA 451 - BA 531

Rev. A

909 6530 000

COMPONENTS / COMPONENTI		
BAT	24V BATTERIES	BATTERIE 24V
C1	BATTERY CONNECTOR	CONNETTORE BATTERIE
C2	CHARGER CONNECTOR	CONNETTORE CARICABATTERIE
CH	BATTERY CHARGER (OPT)	CARICABATTERIE (OPT)
CS	BRUSH DECK CONNECTOR	CONNETTORE TESTATA SPAZZOLE
EB1	CONTROL PANEL BOARD	SCHEMA ELETTRONICA CONTROLLO FUNZIONI
ES1	BRUSH MOTOR ELECTROM. SWITCH	TELERUTTORE MOTORI SPAZZOLE
ES2	VACUUM MOTOR ELECTROM. SWITCH	RELE' ASPIRATORE
EV1	WATER ELECTROVALVE	ELETTROVALVOLA ACQUA
F1	BRUSH DECK FUSE	FUSIBILE TESTATA SPAZZOLE
F2	VACUUM MOTOR FUSE	FUSIBILE ASPIRATORE
F4	LOW POWER CIRCUIT FUSE	FUSIBILE CIRCUITI DI SEGNALE
HM	HOURMETER (OPT)	CONTAORE (OPT)
M1	BRUSH MOTOR	MOTORE SPAZZOLA
M2	VACUUM MOTOR	MOTORE ASPIRATORE

Wiring diagram - BA 451 - 531

BA451/BA451D/BA531/BA 531D

09-02-2013

StyMiste ID

E183154

38

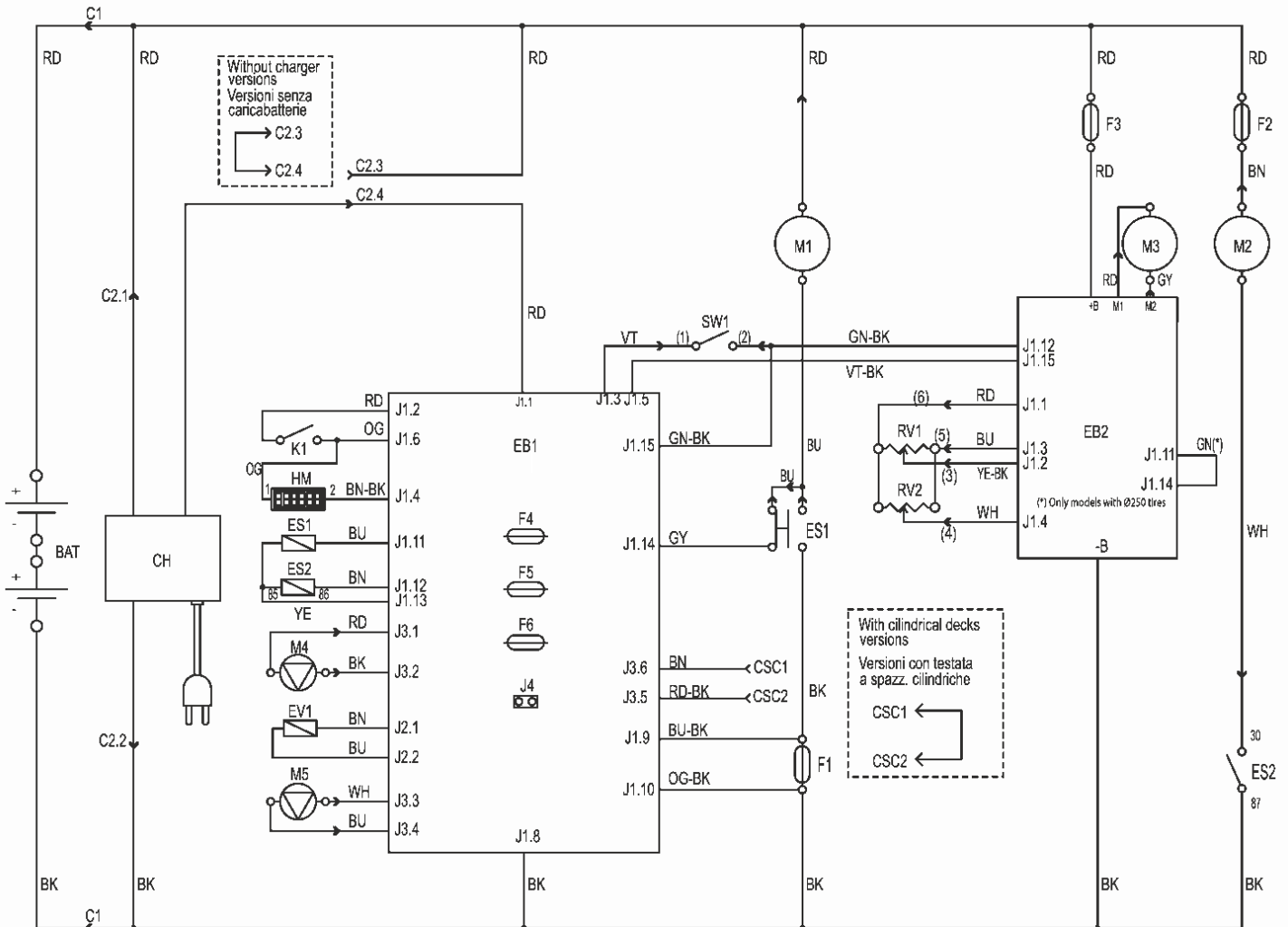
Wiring diagram - BA 451 D - 531 D

BA451/BA451D/BA531/BA 531D

09-02-2013

StyMiste ID
E183155

39



WIRING DIAGRAM - BA 451 D / BA 531 D

Rev. B

909 6529 000

COMPONENTS / COMPONENTI					
BAT	24V BATTERIES	BATTERIE 24V	K1	KEY SWITCH	CHIAVE
C1	BATTERY CONNECTOR	CONNETTORE BATTERIE	M1	BRUSH MOTOR	MOTORE SPAZZOLA
C2	CHARGER CONNECTOR	CONNETTORE CARICABATTERIE	M2	VACUUM MOTOR	MOTORE ASPIRATORE
CH	BATTERY CHARGER (OPT)	CARICABATTERIE (OPT)	M3	DRIVE MOTOR	MOTORE TRAZIONE
CSC	CILINDRICAL DECK SECONDARY CONNECTOR	CONN. SECONDARIO TESTATA SPAZZ. CILINDRICHE	M4	WATER PUMP (OPT)	POMPA ACQUA (OPT)
EB1	CONTROL PANEL BOARD	SCHEDA ELETTRONICA CONTROLLO FUNZIONI	M5	DETERGENT PUMP (OPT)	POMPA DETERGENTE (OPT)
EB2	DRIVE ELECTRONIC BOARD	SCHEDA ELETTRONICA TRAZIONE	RV1	SPEED POTENTIOMETER	POTENZIOMETRO VELOCITA'
ES1	BRUSH MOTOR ELECTROM. SWITCH	TELERUTTORE MOTORI SPAZZOLE	RV2	MAX SPEED POTENTIOMETER	POTENZIOMETRO VELOCITA' MASSIMA
ES2	VACUUM MOTOR ELECTROM. SWITCH	RELE' ASPIRATORE	SW1	BRUSHES / DRIVE MICROSWITCH	MICROINTERR. CONSENSO SPAZZOLE/TRAZIONE
EV1	ELECTROVALVE	ELETTROVALVOLA			
F1	BRUSH DECK FUSE	FUSIBILE TESTATA SPAZZOLE			
F2	VACUUM MOTOR FUSE	FUSIBILE ASPIRATORE			
F3	DRIVE SYSTEM FUSE	FUSIBILE SISTEMA DI TRAZIONE			
F4	LOW POWER CIRCUIT FUSE	FUSIBILE CIRCUITI DI SEGNALE			
F5	BRUSH RELEASE FUSE	FUSIBILE SGANCIO SPAZZOLE			
F6	PUMP FUSE	FUSIBILE POMPE			
HM	HOURMETER (OPT)	CONTAORE (OPT)			

Wiring diagram - BA 451 D - 531 D

BA451/BA451D/BA531/BA 531D

09-02-2013

StyMiste ID

E183155

40

Recommended spare parts 1

BA451/BA451D/BA531/BA 531D

09-02-2013

StyMiste ID

E183156

41

Ingen tegning

Recommended spare parts 1

BA451/BA451D/BA531/BA 531D

09-02-2013

StyMiste ID

E183156

42

Pos	Vare nr.	Ant	Beskrivelse	
1	909 6650 000	1	Sponge For Water	BA 451 / BA 451 D / BA 531 / BA 531 D
2	909 6681 000	1	Slange Rent Vand Ba451	BA 451 / BA 451 D / BA 531 / BA 531 D
3	L08812457	1	Cap Tank	BA 451 / BA 451 D / BA 531 / BA 531 D
4	909 6874 000	1	Cable Tank Kit	BA 451 / BA 451 D / BA 531 / BA 531 D
5	9098265000	1	Mont.Sæt F. Rentvandstank	BA 451 / BA 451 D / BA 531 / BA 531 D
6	9099852000	1	Sugeslange	BA 451 / BA 451 D / BA 531 / BA 531 D
7	9099165000	1	Aftapningslange	BA 451 / BA 451 D / BA 531 / BA 531 D
8	L08812259	2	Kompl.Flyder F.Ba450/530 F.BA 450/530	BA 451 / BA 451 D / BA 531 / BA 531 D
9	L08812373	1	Float Ball F.BA 450/530	BA 451 / BA 451 D / BA 531 / BA 531 D
10	145 0543 000	2	Passring	BA 451 / BA 451 D / BA 531 / BA 531 D
11	909 6899 000	1	Dæksel	BA 451 / BA 451 D / BA 531 / BA 531 D
12	909 6877 000	1	Hardware Motor Fixing Kit	BA 451 / BA 451 D / BA 531 / BA 531 D
13	909 6876 000	1	Hardware Cage Sup.Fix.Kit	BA 451 / BA 451 D / BA 531 / BA 531 D
14	9099401000	1	Motor Vacuum Kit	BA 451 / BA 451 D / BA 531 / BA 531 D
15	9098231000	1	Carbon Brush Kit 2Pcs	BA 451 / BA 451 D / BA 531 / BA 531 D
16	909 6491 000	1	Panel Acoustic Insulation	BA 451 / BA 451 D / BA 531 / BA 531 D
17	9098057000	1	Gasket Vacuum Motor	BA 451 / BA 451 D / BA 531 / BA 531 D
18	9097555000	1	Gasket vacuum moter	BA 451 / BA 451 D / BA 531 / BA 531 D
19	909 6672 000	1	Filter	BA 451 / BA 451 D / BA 531 / BA 531 D
20	9099028000	2	Wheel Castor W/Hardw.Kit	BA 451 / BA 531
21	9099028000	2	Wheel Castor W/Hardw.Kit	BA 451 D / BA 531 D
22	909 6878 000	1	Hardware Chas. Fixing Kit	BA 451 / BA 451 D / BA 531 / BA 531 D
23	9099028000	2	Wheel Castor W/Hardw.Kit	
25	909 6548 000	1	Køremotor 200W 24V Ba450/551/611	BA 451 D / BA 531 D
26	145 5124 000	2	Kul F. Aw 455 Børstemotor	BA 451 D / BA 531 D
27	L08812282	2	Cam Controller Ba450/530	BA 451 D / BA 531 D
28	9098300000	1	Hardware Handle Assembly	BA 451 D / BA 531 D
29	9098814000	1	Potentiometer 5K 40	BA 451 D / BA 531 D
30	909 6677 000	1	Microswitch	BA 451 D / BA 531 D
31	9096994000	1	Valve Elbow	BA 451 / BA 451 D / BA 531 / BA 531 D
32	9097166000	1	Filter Complete Kit	BA 451 / BA 451 D / BA 531 / BA 531 D
33	9096995000	1	Valve Elbow W/Pipes Kit	BA 451 / BA 451 D / BA 531 / BA 531 D
34	909 6555 000	1	Solenoid Valve 24V	BA 451 / BA 451 D / BA 531 / BA 531 D
35	909 6636 000	1	"Slangestuds 1/2" "	BA 451 / BA 451 D / BA 531 / BA 531 D
36	9098777000	1	Vinkel	BA 451 / BA 451 D / BA 531 / BA 531 D

Recommended spare parts 2

BA451/BA451D/BA531/BA 531D

09-02-2013

StyMiste ID

E183157

43

Ingen tegning

Recommended spare parts 2

BA451/BA451D/BA531/BA 531D

09-02-2013

StyMiste ID

E183157

44

Pos	Vare nr.	Ant	Beskrivelse	
37	909 6055 000	1	Holder For Sugegummi	BA 451 / BA 451 D / BA 531 / BA 531 D
38	909 6044 000	1	"Sugefod 30" Kun Metaldel "	BA 451 / BA 451 D / BA 531 / BA 531 D
39	9097637000	1	Monteringsskrue (2 Stk)	BA 451 / BA 451 D / BA 531 / BA 531 D
40	909 6551 000	1	Knop M8X30 Ss	BA 451 / BA 451 D / BA 531 / BA 531 D
43	909 6851 000	1	Sugefod Kompl. Scrubt.545	BA 451 / BA 451 D / BA 531 / BA 531 D
44	909 6882 000	1	Skinnekit	BA 451 / BA 451 D / BA 531 / BA 531 D
45	909 6883 000	1	Hjul For Squeegeerkit	BA 451 / BA 451 D / BA 531 / BA 531 D
46	909 6860 000	1	"Sugegummikit 29" Std. "	BA 451 / BA 451 D / BA 531 / BA 531 D
47	909 6884 000	1	Påkørselshjul, Kit	BA 451 / BA 451 D / BA 531 / BA 531 D
48	909 6394 000	1	Latch Squeegee Kit	BA 451 / BA 451 D / BA 531 / BA 531 D
49	909 6885 000	1	Squeegeer Justeringskit Ba451-551	BA 451 / BA 451 D / BA 531 / BA 531 D
50	909 6852 000	1	BRUSH DECK 450MM/18 KIT	BA 451 D
51	909 6853 000	1	BRUSH DECK 530MM/21 KIT	BA 531 D
52	909 6043 000	1	Børsteskjold	BA 451/ BA 451 D
53	909 6042 000	1	Børste Dæksel	BA 531/ BA 531 D
54	9098308000	1	Gearmotor 450W 24V	BA 451 D / BA 531 D
55	9098376000	1	BRUSH CARBON KIT 4 PCS	BA 451 D / BA 531 D
56	145 8564 000	2	Saxpinne	BA 451 D / BA 531 D
57	909 6514 000	1	Spring Gas	BA 451 D / BA 531 D
58	L08601624	1	Slangestuds Plast	BA 451 / BA 451 D / BA 531 / BA 531 D
59	9097184000	1	Vibration Damping M8 60Sh	BA 451 / BA 451 D / BA 531 / BA 531 D
60	9097093000	1	Børsteholder Poly Kit	BA 451 / BA 451 D / BA 531 / BA 531 D
61	909 6887 000	1	Stødhjul	BA 451 / BA 451 D / BA 531 / BA 531 D
62	9099419000	1	Justeringssæt F. Børste	BA 451 / BA 451 D / BA 531 / BA 531 D
63	9097006000	1	Card Electronic	BA 451/ BA 531
64	9098635000	1	Decal Control Panel	BA 451/ BA 531
65	146 2888 000	1	Tændingsnøgle	BA 451 D/ BA 531 D
66	9097007000	1	Card Electronic	BA 451 D/ BA 531 D
66	9098555000	1	Electronic kort	
67	9098634000	1	Decal Control Panel Ecoflex	BA 451 D/ BA 531 D
68	145 8368 000	1	Såkring	BA 451 / BA 451 D / BA 531 / BA 531 D
69	9096908000	1	Print	BA 451 D/ BA 531 D
70	9097209000	1	Switch Electromagnetic 24V	BA 451 D/ BA 531 D
71	9098762000	1	Ladestik, Rød 120 A	BA 451 / BA 451 D / BA 531 / BA 531 D
72	909 6622 000	1	Relæ 24V 40A	BA 451 / BA 451 D / BA 531 / BA 531 D
73	145 3824 000	1	Sikring 40A,Bladsikring	BA 451 / BA 451 D / BA 531 / BA 531 D
74	145 8513 000	1	Sikring 30A	BA 451 / BA 451 D / BA 531 / BA 531 D
75	9098297000	1	Lader (Indbygget) 24V 13A	BA 451 / BA 451 D / BA 531 / BA 531 D

POSITIONS 41-42: 909 6483 000 - 909 6484 000 INCLUDED IN THE KIT 909 6860 000

Optionals

BA451/BA451D/BA531/BA 531D

09-02-2013

StyMiste ID

E183158

45

Ingen tegning

Optionals

BA451/BA451D/BA531/BA 531D

09-02-2013

StyMiste ID

E183158

46

Pos	Vare nr.	Ant	Beskrivelse	
1	909 6743 000	1	Ecoflex Kit BA 451/531 D	BA 451 D / BA 531 D
2	909 6806 000	1	Pipes Chemical Mix Kit	BA 451 D / BA 531 D
3	56315108	1	Pumpe 24V	BA 451 D / BA 531 D
4	909 6903 000	1	Ecoflex Kemibeholder Kit	BA 451 D / BA 531 D
5	56315517	1	Låg Ecoflex Beholder Stort	BA 451 D / BA 531 D
6	56315522	1	Check Valve 1/8 Barb 12 5Psi	BA 451 D / BA 531 D
7	56315523	1	Låg Ecoflex Beholder Lille	BA 451 D / BA 531 D
8	56315527	1	Rør Ecoflex Beholder	BA 451 D / BA 531 D
9	909 6183 000	1	Pumpe, Kemikalie Eds	BA 451 D / BA 531 D
10	909 6092 000	1	HOLDER RUBBER T	BA 451 D / BA 531 D
11	909 6847 000	1	BRUSH DECK 450MM/18 KIT W	BA 451
12	909 6848 000	1	BRUSH DECK 530MM/21 KIT WITH	BA 531
13	9097167000	2	WHEEL FRONT D.200 65SH	BA 451 / BA 531
14	909 6738 000	1	Børstetryk Ekstra Kit	BA 451 / BA 531
15	909 6736 000	1	"Stænkskørt Kit 21"/530Mm "	BA 531 / BA 531 D
16	909 6737 000	1	Børsteinddækningssæt	BA 451 / BA 451 D
17	L08837020	1	Børste, Prolene 450 Mm	BA 451 / BA 451 D
18	L08837021	1	Børste, Prolite 450 Mm	BA 451 / BA 451 D
19	L08837022	1	Børste, Union Mix 450 Mm	BA 451 / BA 451 D
20	L08837023	1	Børste, Sica 450 Mm	BA 451 / BA 451 D
21	L08837024	1	Børste, Midgrit 240 450 Mm	BA 451 / BA 451 D
22	L08837017	1	Padholder, 450 Mm	BA 451 / BA 451 D
23	L08837025	1	Børste, Prolene 530 Mm	BA 531 / BA 531 D
24	L08837026	1	Børste, Prolite 530 Mm	BA 531 / BA 531 D
25	L08837027	1	Børste, Union Mix 530 Mm	BA 531 / BA 531 D
26	L08837028	1	Børste, Sica Grit 180 530 Mm	BA 531 / BA 531 D
27	L08837029	1	Børste, Mid Grit 240 530 Mm	BA 531 / BA 531 D
28	L08837065	1	Børste Magna Grit 46 530 Mm	BA 531 / BA 531 D
29	L08837066	1	Børste, Dyna Grit 530 Mm	BA 531 / BA 531 D
30	L08837067	1	Børste Aglite Grit 530 Mm	BA 531 / BA 531 D
31	L08837018	1	Padholder, 530 Mm	BA 531 / BA 531 D
32	9097032000	2	Fronthjul, Ø200	BA 451 D / BA 531 D
33	L08603878	1	Squeegee Komp. Ba450/530	BA 451 / BA 451 D / BA 531 / BA 531 D
34	909 6858 000	1	"Sugegummikit 29" Olieres. Pu"	BA 451 / BA 451 D / BA 531 / BA 531 D
35	909 6739 000	1	Lader Indb. Kit	BA 451 / BA 451 D / BA 531 / BA 531 D
36	9097290000	1	Påfyldningsslange	BA 451 / BA 451 D / BA 531 / BA 531 D
37	9096916000	1	Filter Rentvand Ba410	BA 451 / BA 451 D / BA 531 / BA 531 D
38	9096951000	1	Timetæller 24V Kit	BA 451 / BA 451 D / BA 531 / BA 531 D
39	909 6734 000	1	Gummistrop Til Låg	BA 451 / BA 451 D / BA 531 / BA 531 D
40	909 5065 000	1	Filter, Antiskum	BA 451 / BA 451 D / BA 531 / BA 531 D
41	9098343000	1	Tredje Sugelæbe Kit 451/531 551/611	BA 451 / BA 451 D / BA 531 / BA 531 D
42	9098853000	1	Elbow 90 Suct.Hose Kit Ra L7001	TSB-IT 2010-061

Wiring diagram - BA 451 D - 531 D REV.C

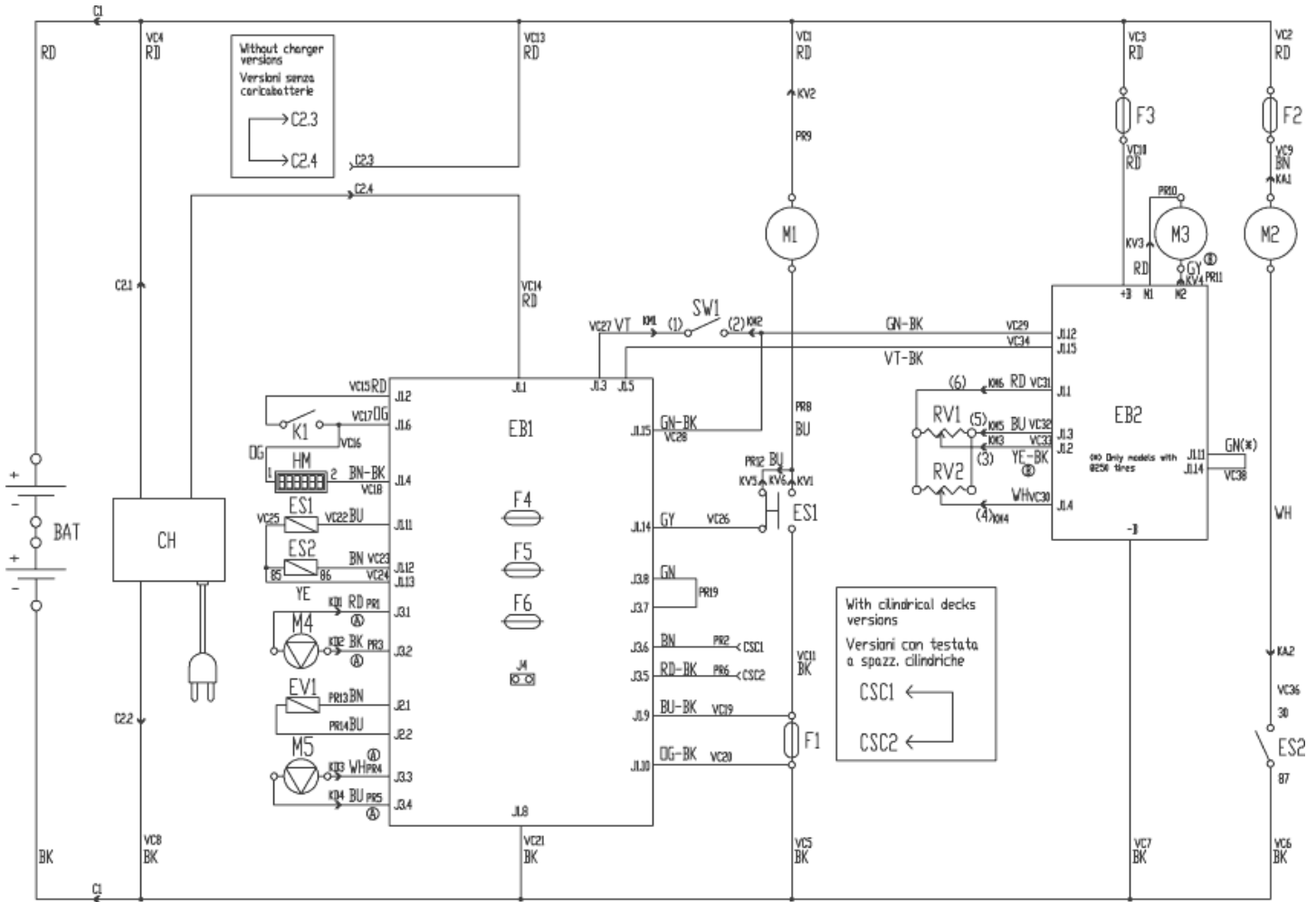
BA451/BA451D/BA531/BA 531D

09-02-2013

StyMiste ID

E183155A

47



WIRING DIAGRAM - BA 451D / BA 531D

Rev. C

909 6529 000

COMPONENTS / COMPONENTI					
BAT	24V BATTERIES	BATTERIE 24V	K1	KEY SWITCH	CHIAVE
C1	BATTERY CONNECTOR	CONNETTORE BATTERIE	M1	BRUSH MOTOR	MOTORE SPAZZOLA
C2	CHARGER CONNECTOR	CONNETTORE CARICABATTERIE	M2	VACUUM MOTOR	MOTORE ASPIRATORE
CH	BATTERY CHARGER (OPT)	CARICABATTERIE (OPT)	M3	DRIVE MOTOR	MOTORE TRAZIONE
CSC	CILINDRICAL DECK SECONDARY CONNECTOR	CONN. SECONDARIO TESTATA SPAZZ. CILINDRICHE	M4	WATER PUMP (OPT)	POMPA ACQUA (OPT)
EB1	CONTROL PANEL BOARD	SCHEDA ELETTRONICA CONTROLLO FUNZIONI	M5	DETERGENT PUMP (OPT)	POMPA DETERGENTE (OPT)
EB2	DRIVE ELECTRONIC BOARD	SCHEDA ELETTRONICA TRAZIONE	RV1	SPEED POTENTIOMETER	POTENZIOMETRO VELOCITA'
ES1	BRUSH MOTOR ELECTROM. SWITCH	TELERUTTORE MOTORI SPAZZOLE	RV2	MAX SPEED POTENTIOMETER	POTENZIOMETRO VELOCITA' MASSIMA
ES2	VACUUM MOTOR ELECTROM. SWITCH	RELE' ASPIRATORE	SW1	BRUSHES / DRIVE MICROSWITCH	MICROINTERR. CONSENSO SPAZZOLE/TRAZIONE
EV1	ELECTROVALVE	ELETTOVALVOLA			
F1	BRUSH DECK FUSE	FUSIBILE TESTATA SPAZZOLE			
F2	VACUUM MOTOR FUSE	FUSIBILE ASPIRATORE			
F3	DRIVE SYSTEM FUSE	FUSIBILE SISTEMA DI TRAZIONE			
F4	LOW POWER CIRCUIT FUSE	FUSIBILE CIRCUITI DI SEGNALE			
F5	BRUSH RELEASE FUSE	FUSIBILE SGANCIO SPAZZOLE			
F6	PUMP FUSE	FUSIBILE POMPE			
HM	HOURMETER (OPT)	CONTAORE (OPT)			

Wiring diagram - BA 451 D - 531 D REV.C

BA451/BA451D/BA531/BA 531D

09-02-2013

StyMiste ID

E183155A

48