

# B5

---

Model:  
B5



Part List US-English

26-11-2011

# Table of Contents

B5

<b>B5 overview 1</b>	<b>3</b>
<b>B5 overview 2</b>	<b>5</b>
<b>B5 overview 3</b>	<b>7</b>
<b>Support for wash tray &amp; equipment f. Heavy Duty ve</b>	<b>9</b>



# B5 overview 1

26-11-2011

Part List ID

B502

B5

4

Pos	Part no.	Qty	Description	EAN
30	1117633	1	DOSING VALVE W. DIAL PLATE	5701715115
32		1	NOTE COMMENT	5701715456
			Use kit 1111913, position 30	
34	6150692	1	DIAL PLATE	5701715074
36	3001021	1	GASKET F. OUTLET	5701715037
37	3000528	1	GASKET Ø 55-29 X 2	5701715037
38	6008041	1	VALVE HANDLE COMP.	5701715062
40	1400811	1	SPINDLE COMPL.	5701715022
41	1603422	1	THREADED CONNECTION	5701715024
42	3000064	1	O-RING 14.1X1.6 NITRIL 70SH	5701715037
43	1801075	1	PACKING RING Ø 23.8X Ø 17.2	5701715027
55	3800760	1	BRACKET	5701715040
56	3800786	1	LOCK NUT PG 16	5701715040
58	1602937	1	GASKET F. PRESSURE GAUGE	5701715024
60	1402858	1	TUBE FOR PRESSURE GAUGE COMPL.	5701715023
			B5	
60	6220678	1	PRESSURE GAUGE CONNECTION	5701715084
			B5R	
62	1602150	1	1/4 INCH RG SCREWED CONNECTION	5701715024
63	3600640	1	SENSOR HOUSING	5701715011
64	3802592	1	HEAT.ELEM.2000 WATT 220V	5701715040
65	3000890	1	PACKING RING 27,0X36,0 A DIN	5701715037
66	3000262	1	O-RING 18.0X2.0 DIN 3770 NBR70	5701715037
69	1401447	1	PRESSURE TANK B5-KOMP.	5701715022
73	1601798	1	1 INCH PLUG	5701715024
75	2003481	2	HUB-CAP D20	5701715031
77	2011161	1	WHEEL. TURNABLE	5701715031
78	2012151	1	STEERABLE WHELL WITHOUT BRAKE	5701715032
80	1801968	8	TOOTHED LOCK WASHER M10 FZB DIN6798	5701715008
81	1800465	2	NUT M10	5701715026
82	1800317	3	WASHER 10.5X22.0X1.25 A ISO7090 ZN	5701715026
83	1800796	3	WASHER M8	5701715027
84	1802909	3	SCREW M8X16	5701715028

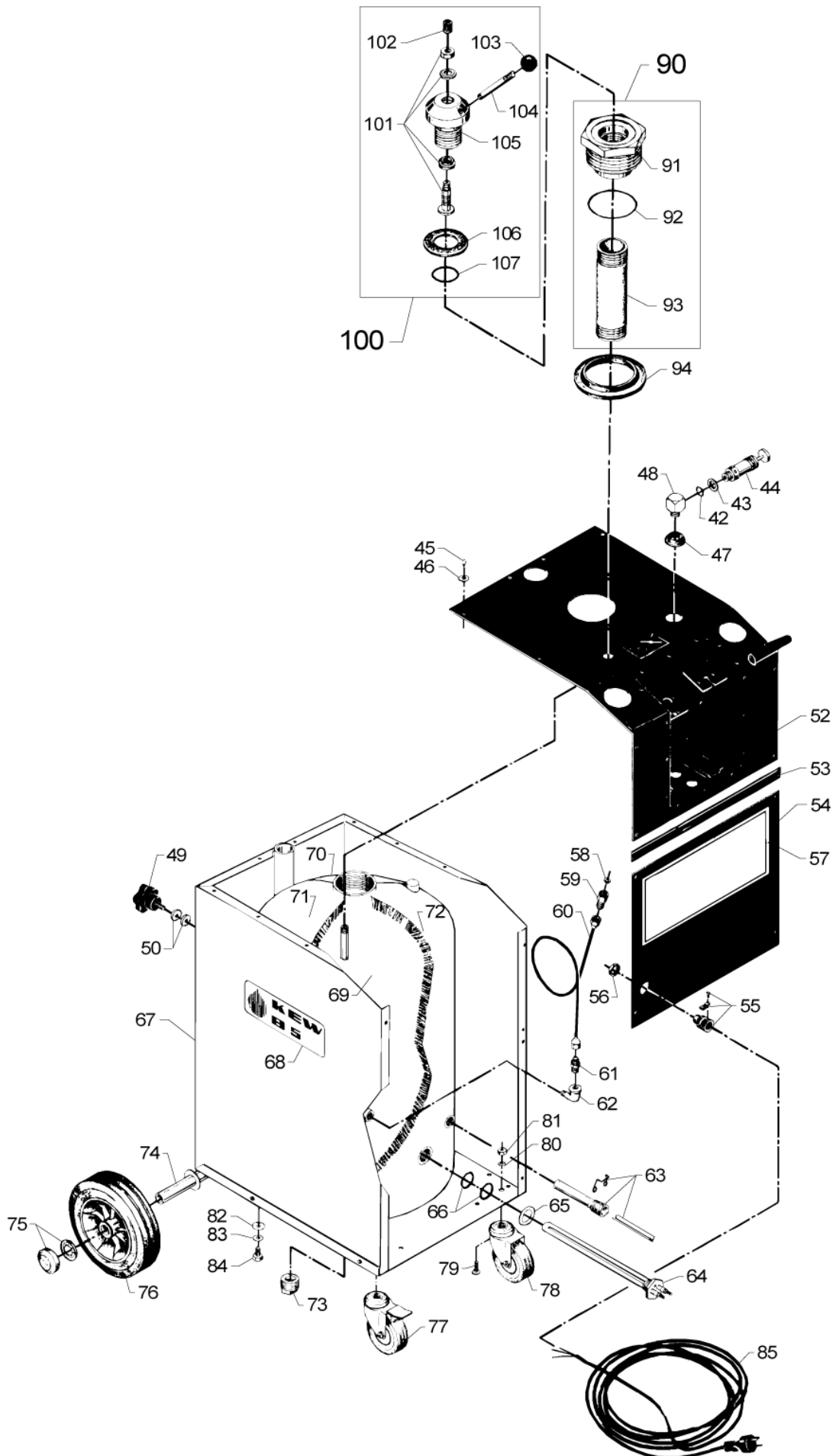
# B5 overview 2

26-11-2011

Part List ID B504

B5

5



# B5 overview 2

B5

26-11-2011

Part List ID B504

6

Pos	Part no.	Qty	Description	EAN
42	3000064	1	O-RING 14.1X1.6 NITRIL 70SH	5701715037
43	1801075	1	PACKING RING Ø 23.8X Ø 17.2	5701715027
55	3800760	1	BRACKET	5701715040
56	3800786	1	LOCK NUT PG 16	5701715040
58	1602937	1	GASKET F. PRESSURE GAUGE	5701715024
60	1402858	1	TUBE FOR PRESSURE GAUGE COMPL.	B5 5701715023
60	6220678	1	PRESSURE GAUGE CONNECTION	B5R 5701715084
62	1602150	1	1/4 INCH RG SCREWED CONNECTION	5701715024
63	3600640	1	SENSOR HOUSING	5701715011
64	3802592	1	HEAT.ELEM.2000 WATT 220V	5701715040
65	3000890	1	PACKING RING 27,0X36,0 A DIN	5701715037
66	3000262	1	O-RING 18.0X2.0 DIN 3770 NBR70	5701715037
69	1401447	1	PRESSURE TANK B5-KOMP.	5701715022
73	1601798	1	1 INCH PLUG	5701715024
75	2003481	2	HUB-CAP D20	5701715031
77	2011161	1	WHEEL. TURNABLE	5701715031
78	2012151	1	STEERABLE WHELL WITHOUT BRAKE	5701715032
80	1801968	8	TOOTHED LOCK WASHER M10 FZB DIN6798	5701715008
81	1800465	2	NUT M10	5701715026
82	1800317	3	WASHER 10.5X22.0X1.25 A ISO7090 ZN	5701715026
83	1800796	3	WASHER M8	5701715027
84	1802909	3	SCREW M8X16	5701715028
91	1601806	1	INSPECTION PLUG 85	5701715024
92	107318109	1	O-RING 53.57X3.53 NITRIL 70 SH	5701715472
93	1601814	1	FILLING TUBE 85	5701715024
94	3000874	1	HAT SLEEVE	5701715012
100	1117324	1	FILLING SOCKET COMPLETE	5701715018
101	3401817	1	RIM VALVE	5701715040
106	3000528	1	GASKET Ø 55-29 X 2	5701715037
107	3000502	1	O-RING 28 X 17 X 3.53 NITRIL 70 SH	5701715037



# B5 overview 3

26-11-2011

Part List ID

B506

B5

8

Pos	Part no.	Qty	Description		EAN
111	1801075	1	PACKING RING Ø 23.8X Ø 17.2	SF	5701715027
118	3600665	1	PRESSURE GAUGE		5701715040
122	3803764	3	RUBBER SEAL TET 5-7C		5701715007
124	3803780	1	GROMMET 10-14C		5701715007
126	3807518	5	WIRE TERMINAL		5701715005
127	3805249	2	END BRACKET		5701715041
128	3807526	2	ENDPLATE		5701715042
129	103822304	1	CONTACTOR CJX2-D18-P7 230V	CA3-16-10,190V/50HZ	4005337178
129	103822311	1	CONTACTOR CJX2-D25-F7 110V	CA3-23-10,110V/60HZ	5715492057
129	3804010	1	CONTACTOR COMPL. CA3-16-10	CA3-16-10,220V/50HZ	5701715041
129	3804135	1	CONTACTOR CA3-23-10	CA3-23-10,110V/50HZ,127V/60HZ	5701715041
130	3800430	1	THERMOSTAT	SF	5701715040
131	1800391	2	CAP SCREW M4X6 ISO 7985 ZN		5701715026
132	3200425	1	SHAFT FOR SELECTOR SWITCH		5701715039
133	3000387	1	O-RING 3.1 X 1.6 SMS		5701715037
134	1801026	1	LOCK NUT M10 X 1		5701715027
135	1800317	1	WASHER 10.5X22.0X1.25 A ISO7090 ZN		5701715026
136	1801018	1	CYLINDER SCREW M4X8 ISO 4762 ST 8.8/ZN		5701715027
153	3601135	1	THERMOMETER C71-D52 BLACK		5701715040
154	3801958	1	SUPER HEATING THERMOSTAT		5701715011
156	3800422	1	SELECTOR SWITCH		5701715040
157	1801729	2	SCREW M4 X 12		5701715027
159	3000387	1	O-RING 3.1 X 1.6 SMS		5701715037
160	1801026	1	LOCK NUT M10 X 1		5701715027
161	1800317	1	WASHER 10.5X22.0X1.25 A ISO7090 ZN		5701715026
172	1801018	1	CYLINDER SCREW M4X8 ISO 4762 ST 8.8/ZN		5701715027
173	2759	1	HEXAGON NUT M4		4005337027
198	1803329	3	CABLE BINDER BLACK		5701715007
200	6100101	1	CABLE CLIP		5701715062



# Support for wash tray & equipment f. Heavy Dut

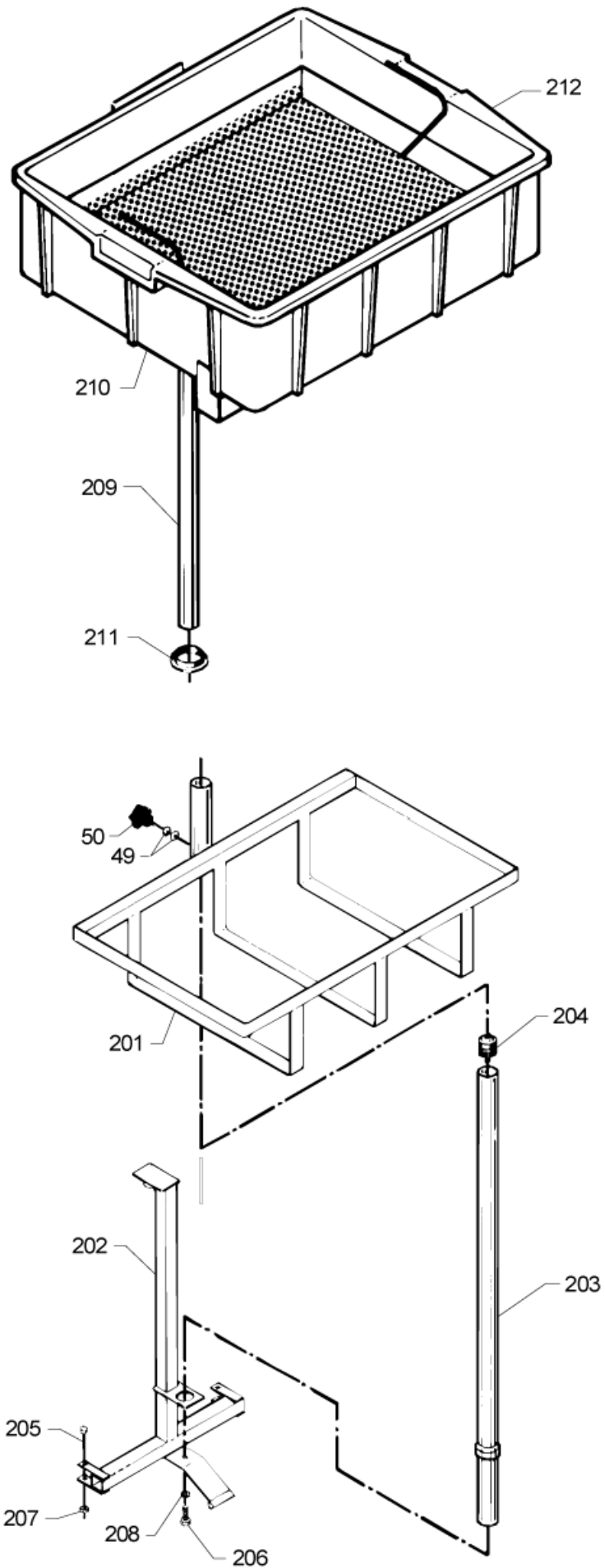
26-11-2011

Part List ID

B508

B5

9



# Support for wash tray & equipment f. Heavy Dut

B5

26-11-2011

Part List ID

B508

10

Pos	Part no.	Qty	Description	EAN
206	1802305	1	SCREW M10X16	5701715027
207	1805399	2	LOCK NUT W. NYLONRING M6 A2	5701715029
208	1800309	1	LOCK WASHER	5701715026
210	4600193	1	WASTE WATER TRAY	5701715011
210	6400500	1	TRAY F. LORRY EQUIPMENT	5701715097
211	3000882	1	SLEEVE F. SLIDE TUBE 3000544	5701715037
212	2013100	1	BASKET FOR WATER TRAM	5701715032
212	2013118	1	NO LONGER AVAILABLE	5701715032