

GD 930 GD 930S2, GD930Q

Model:
GD 930
GD 930 S2



Dellista Svenska

08-11-2013

Nilfisk

www.nilfisk.com

Innehållsförteckning

GD 930 GD 930S2, GD930Q

Lower parts after serial no. 3510124601423 (12.201	3
Lower parts before serial no. 3510124601423 (11.2	6
Container and Filters	9
Nozzles 32 mm	11
Hose and tubes	13
Power brush UZ 984 line drawing	15
RECOMMENDED SPARE PARTS	17
Wiring	19

Lower parts after serial no. 3510124601423 (12.1)

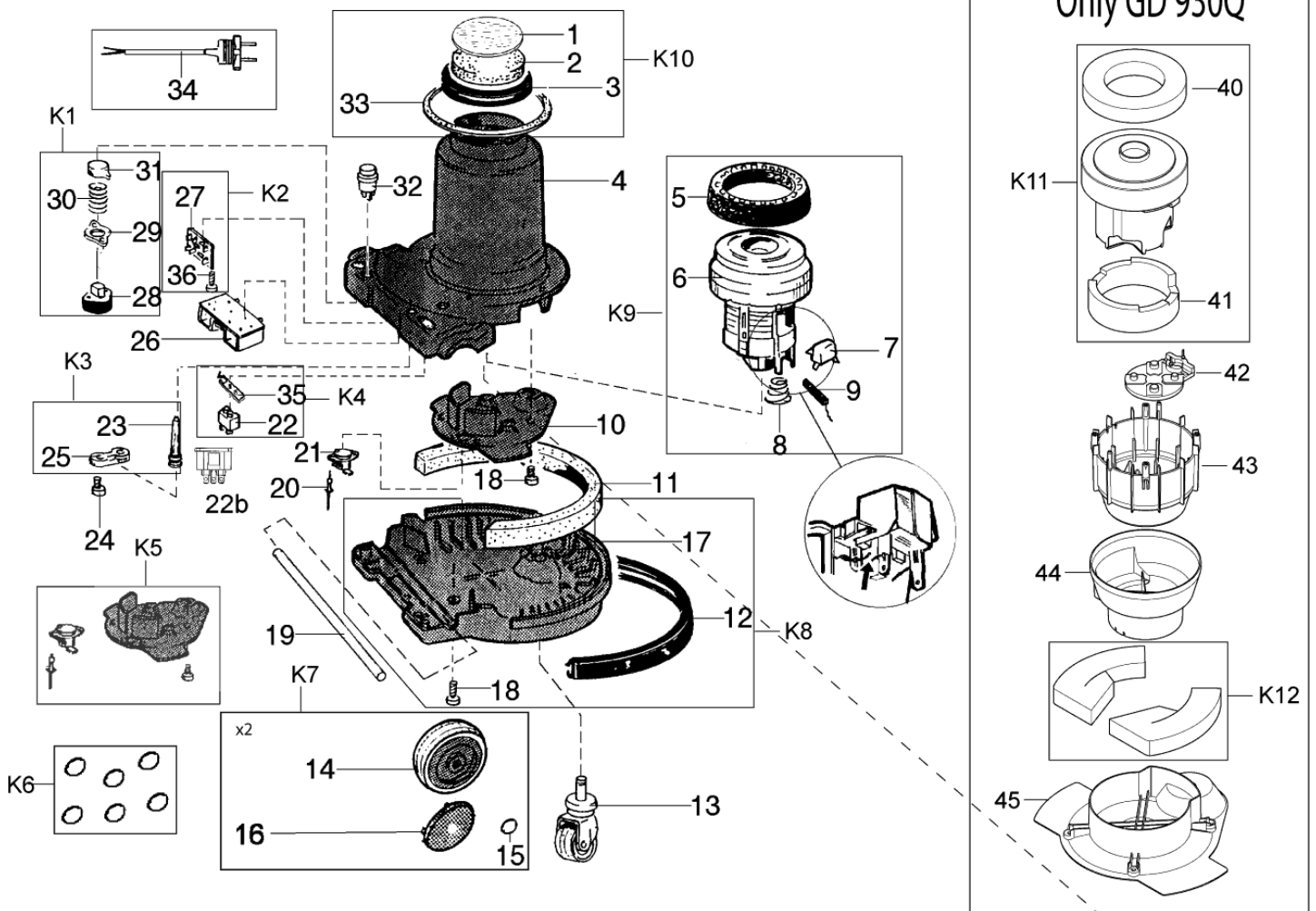
GD 930 GD 930S2, GD930Q

08-11-2013

Dellista ID

GD9302

3



Lower parts after serial no. 3510124601423 (12.1

GD 930 GD 930S2, GD930Q

08-11-2013

Dellista ID

GD930Z

4

Pos	Varunr.	Ant	Beskrivning	
1		1	NOTE COMMENT	part of kit K10
2	140 1535 510	1	FILTER MOTOR GD-930 3-P	
3		1	NOTE COMMENT	part of kit K10
4	140 7010 500	1	STAND GD 930/UZ 930S BLACK	
5	140 7901 000	1	SUSPENSION RING	
6		1	NOTE COMMENT	part of kit K9
7	140 8166 010	1	CAPACITOR	
8	140 7016 000	1	MOTORFJEDER F.GD930	
9	140 7719 000	1	KOL 230/240V	
10		1	NOTE COMMENT	part of kit K5
11	140 7022 500	1	LJUDDÄMPNING GD 930	
12		1	NOTE COMMENT	part of kit K8
13	140 7025 500	1	FRAMHJUL GD930	
14		1	NOTE COMMENT	part of kit K7
15		1	NOTE COMMENT	part of kit K7
16		1	NOTE COMMENT	part of kit K7
17		1	NOTE COMMENT	part of kit K8
18	140 9214 070	3	SKRUV PTK TORX 50X14 FZB	
19	140 5059 000	1	AXEL UZ930 _ 8 MM	
20	140 5694 000	1	RIVET	
21	140 3894 500	1	THERMO PROTECTION KIT SCREW AND WIRE INC	
22	010 9678 500	1	OUTLET ELECTRICAL 230V	
23		1	NOTE COMMENT	part of kit K3
24	140 9214 040	2	SKRUV PTK TORX 40X14 FZB ++	
25	056 1014 060	1	AVLASTN.DON UZ 877-878	
26	140 7026 500	1	2S CIRCUIT BOARD 220-240V	
27		1	NOTE COMMENT	part of kit K2
28		1	NOTE COMMENT	part of kit K1
29		1	NOTE COMMENT	part of kit K1
30		1	NOTE COMMENT	part of kit K1
31	140 7805 000	1	RÖDKNAPP UZ/GD930 STRÖMBR PLAST	
32	107408927	1	Strömbrytare GD 930-Serien	
33		1	NOTE COMMENT	part of kit K10
34	140 6423 500	1	KABEL EU 15M SVART	
35	010 9678 500	1	OUTLET ELECTRICAL 230V	
36	140 7027 010	1	SCREW PT WN1451 D10X15	
K1	107408927	1	Strömbrytare GD 930-Serien	
K2	107408928	1	Kretskort Antistatisk	
K3	140 7035 500	1	PROTECTION SLEEVE KIT SLEEVE AND ANTIST	
K4	140 7665 500	1	OUTLET ELECT.15A 250V	
K5	140 7012 500	1	ÖVERH.SKYDD GD/UZ930/S2	
K6	140 5058 500	1	LOCK WASHER GD 930	
K7	140 5055 500	1	WHEEL REAR 2-P 930-SERIESINCL. DISCS	

Lower parts after serial no. 3510124601423 (12.1

GD 930 GD 930S2, GD930Q

08-11-2013

Dellista ID

GD930Z

5

Pos	Varunr.	Ant	Beskrivning
K8	107408930	1	BOTTOM PLATE 2-POLE DISCONNECTION
22b	140 7665 500	1	OUTLET ELECT.15A 250V US
K10	140 1535 500	1	FILTER MOTOR + PACKNING

Lower parts before serial no. 3510124601423 (1

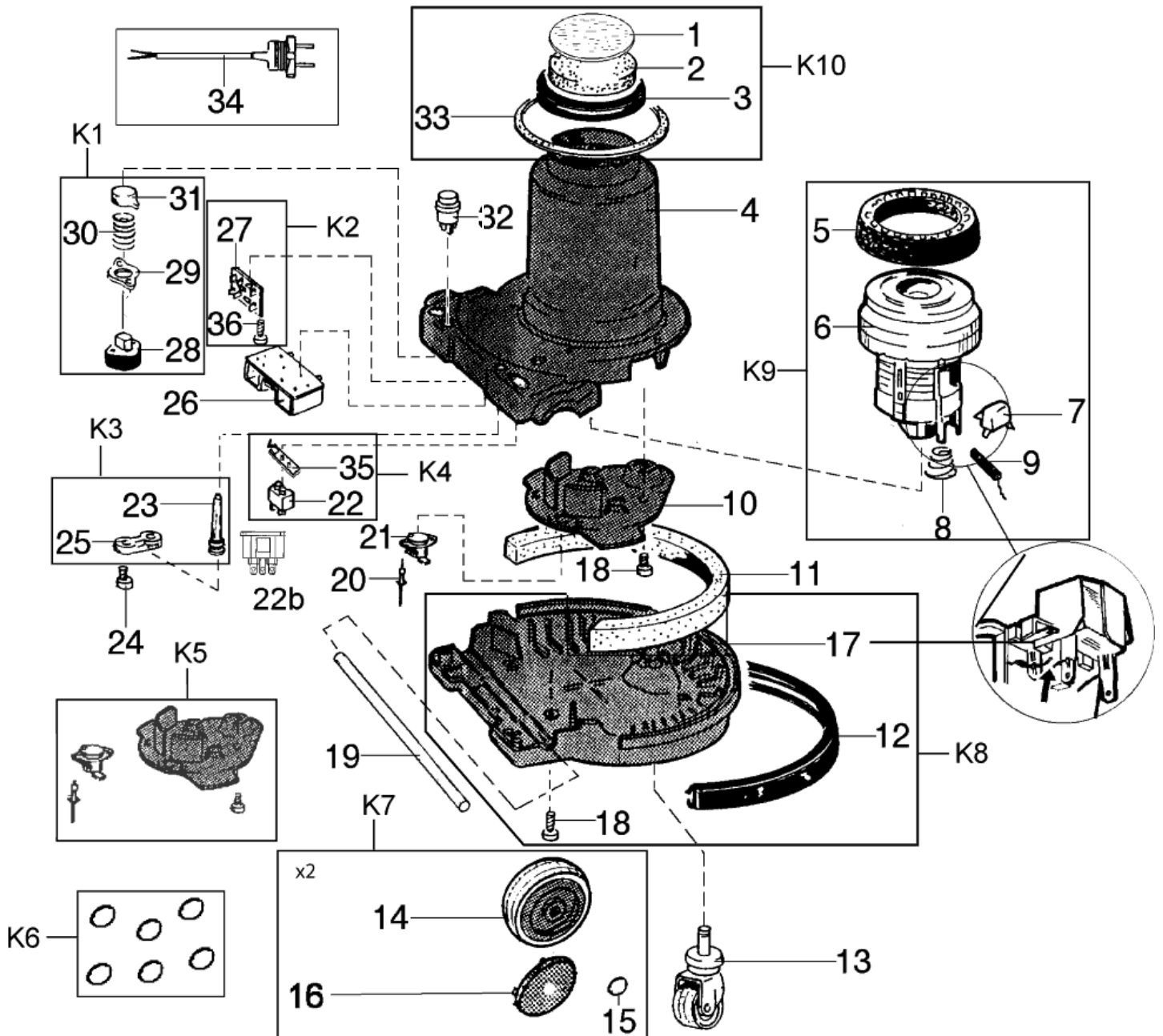
GD 930 GD 930S2, GD930Q

08-11-2013

Dellista ID

GD93002

6



Lower parts before serial no. 3510124601423 (1

GD 930 GD 930S2, GD930Q

08-11-2013

Dellista ID

GD930QZ

7

Pos	Varunr.	Ant	Beskrivning	
0	140 7031 010	1	CARTON UZ 930S WHITE	NEUTRAL, FOR PANTHER
2	140 1535 510	1	FILTER MOTOR GD-930 3-P	
4	140 7010 080	1	STAND UL-LISTED	
4	140 7010 500	1	STAND GD 930/UZ 930S BLACK	
4	140 7010 510	1	STAND GD 930S2/UZ 930S2 BLACK FOR S2 - T	
4	140 7010 530	1	STAND GD/UZ 930S BLACK UL-LIST	
4	140 7010 540	1	STAND GD/UZ 930S2 BLACK UL-LIS	
5	140 7901 000	1	SUSPENSION RING	
6		1	NOTE COMMENT	Part of K9
7	140 8166 010	1	CAPACITOR	
8	140 7016 000	1	MOTORFJEDER F.GD930	
9	001 8619 110	1	CARBON BRUSH WITHOUT HOLDER	
9	140 7719 000	1	KOL 230/240V	
9	140 7720 000	1	CARBON BRUSH F. 110-120V FAN	
11	140 7022 500	1	LJUDDÄMPNING GD 930	
13	140 7025 500	1	FRAMHJUL GD930	
18	140 9214 070	3	SKRUV PTK TORX 50X14 FZB	
19	140 5059 000	1	AXEL UZ930 _ 8 MM	
20	140 5694 000	1	RIVET	
21	140 3894 500	1	THERMO PROTECTION KIT SCREW AND WIRE INC	
22	010 9678 500	1	OUTLET ELECTRICAL 230V	
23	093 1027 010	1	BRYTSKYDD RAKT SV USA/SCH	
24	140 9214 040	2	SKRUV PTK TORX 40X14 FZB ++	
25	056 1014 060	1	AVLASTN.DON UZ 877-878	
26	140 7026 500	1	2S CIRCUIT BOARD 220-240V	
26	140 7026 500	1	2S CIRCUIT BOARD 220-240V	
26	140 7026 510	1	2S CIRCUIT BOARD 110-120V KIT	
31	140 7805 000	1	RÖDKNAPP UZ/GD930 STRÖMBR PLAST	
32	140 7023 500	1	SWITCH SPEED FOR 930S2 SPEED REGULATION	
34	107401390	1	CORD SET CN 15.5M - KIT	
34	107407565	1	KABEL 15M Orange GD930	campain modul
34	140 3859 020	1	CORD SET	120V US/CA
34	140 6423 500	1	KABEL EU 15M SVART	
34	140 6423 510	1	LEDNING 10 M	
34	140 6423 520	1	SLADD GD930 15METER	Machine outphased 2010
34	140 6423 530	1	CORD UK L 15M	
34	140 6423 540	1	CORD UK L 10M	
34	140 6423 550	1	CORD US PLUG L 15M	
34	140 6423 560	1	CORD US L 10M GROUNDED	
34	140 6423 570	1	CORD JP L 15M	
34	140 6423 580	1	CORD AU L 15.5M	
35	010 9678 500	1	OUTLET ELECTRICAL 230V	
K1	140 7033 500	1	SWITCH ON/OFF 930-SERIES	

Lower parts before serial no. 3510124601423 (1

GD 930 GD 930S2, GD930Q

08-11-2013

Dellista ID

GD930Q2

8

Pos	Varunr.	Ant	Beskrivning	
K2	140 7024 500	1	KORT ANTISTAT 930-SERIES	
K3	140 7035 500	1	PROTECTION SLEEVE KIT SLEEVE AND ANTIST	
K3	140 7035 510	1	PROTECTION SLEEVE US KIT	
K4	140 7665 500	1	OUTLET ELECT.15A 250V	
K5	140 7012 500	1	ÖVERH.SKYDD GD/UZ930/S2	
K5	140 7012 510	1	MOTOR PLATE GD 930/S2 THERMO PROTECTOR U	
K6	140 5058 500	6	LOCK WASHER GD 930	
K7	140 5055 500	2	WHEEL REAR 2-P 930-SERIESINCL. DISCS	
K8	140 7011 500	1	UNDERDEL GD/UZ930S/S2 INCL. SILENCER	
K8	140 7011 510	1	BASE BUMPER GD930/UZ930/S2	
K9	140 7902 500	1	MOTOR TILL GD 930	
K9	140 7902 510	1	FAN UNIT KIT 110-120V	US
K9	140 7902 520	1	FLÅKTAGG.KIT 240V.UZ934ERS.011 6000 040	(UZ934)
K9	140 7902 530	1	FAN UNIT KIT DOMEL 100V	JP
22b	140 7665 500	1	OUTLET ELECT.15A 250V	US
K10	140 1535 500	1	FILTER MOTOR + PACKNING	

Container and Filters

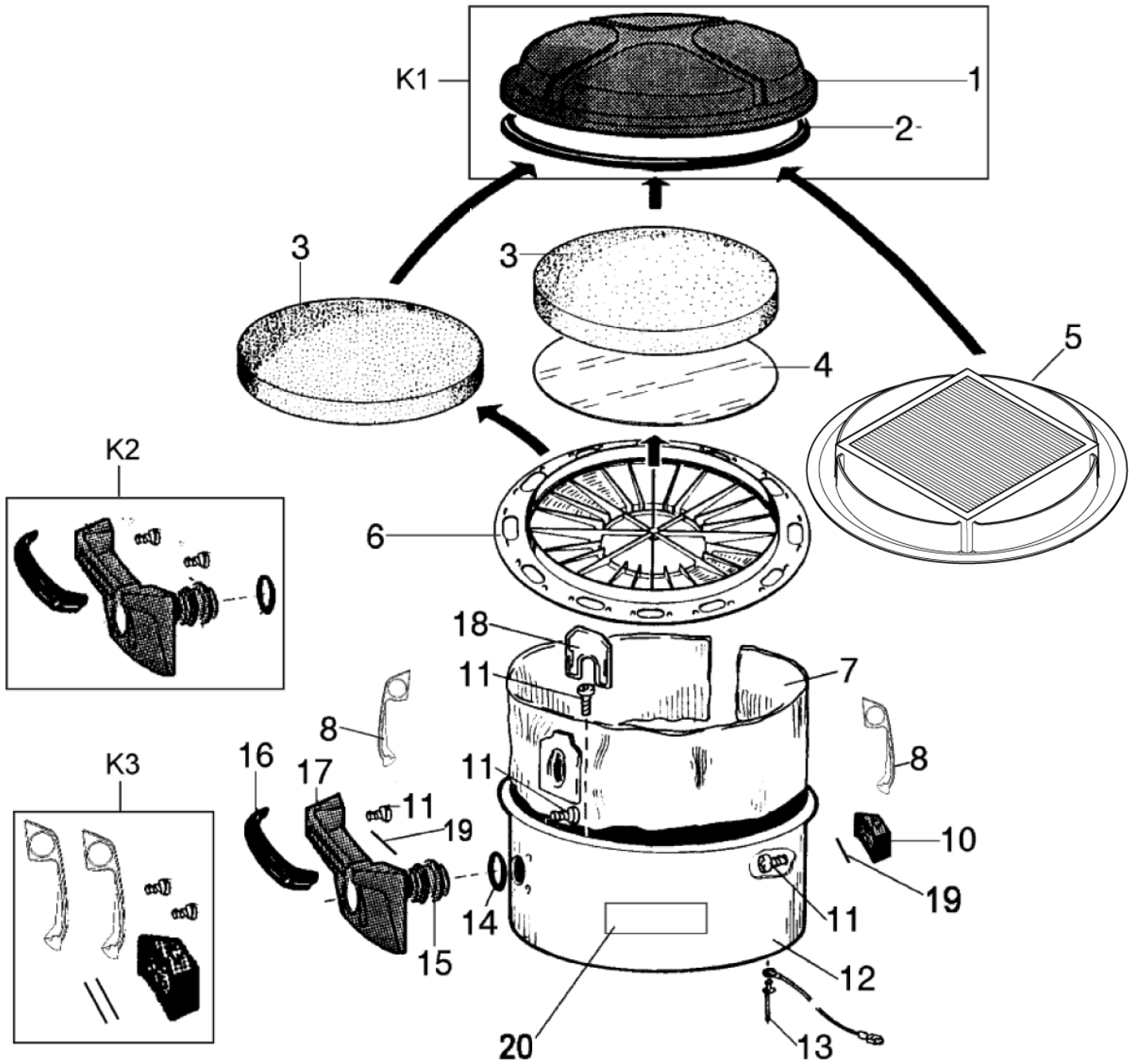
GD 930 GD 930S2, GD930Q

08-11-2013

Dellista ID

GD93004

9



Container and Filters

GD 930 GD 930S2, GD930Q

08-11-2013

Dellista ID

GD93004

10

Pos	Varunr.	Ant	Beskrivning	
1	107408923	1	Lock GD930 Svart	LID BLACK
1	140 7802 080	1	LID RED	
2	140 0061 030	1	PACKNING L=1130	
3	140 1515 500	1	FILTER HUVUD SKUM 930	
4	140 5661 000	1	HYGIENFILTER	
5	140 2666 010	1	HEPAFILTER F GD930	
6	140 2911 000	1	FILTERHÅLLARE F.GD930FILTERHÅLLARE F.GD9	
7	140 3260 500	1	FILTER PAPER 5-P 930	
7	140 7015 040	1	DAMPÅSE (10ST)	
7	140 7019 500	1	CLOTH DUST BAG 1-P930-SERIES	
7	140 7313 020	1	DAMPÅSE H.F. 10-P UZ930	
8		1	NOTE COMMENT	Part of K3 item 140 7832 500
11	140 9214 070	8	SKRUV PTK TORX 50X14 FZB	
12	140 7020 510	1	CONTAINER CHROMED GD 930	
13	140 5694 000	1	RIVET	
14	740 4416 000	1	O-RING D55.5X3 NITRIL	
15	140 7013 000	1	STOS UZ 930S	
16		1	NOTE COMMENT	Part of K2
17		1	NOTE COMMENT	Part of K2
18	140 7014 500	1	DAMPÅSELÅS UZ-GD 930 3-P	
19		1	NOTE COMMENT	Part of K3
20	140 7877 000	1	DECAL NILFISK GD 930	
23	140 9214 040	2	SKRUV PTK TORX 40X14 FZB ++	Incl. in K2
K1	140 7801 500	1	LOCK M/FILTER 930-SERIESFILTER ÅR MONTER	
K1	140 7801 510	1	LOCK MED HEPA FILTER930-SERIES	
K2	140 7800 500	1	HANDTAG KIT GD930	
K3	140 7832 500	1	LATCHES GD 930/S22 LOCKINGS	
NI	140 6076 000	1	SIGN	Emptying - if this vacuum cleaner is...
NI	140 6754 000	1	LABEL	Warning HEPA filter must be installed...
NI	140 7784 000	1	BOX FOR GD 930	

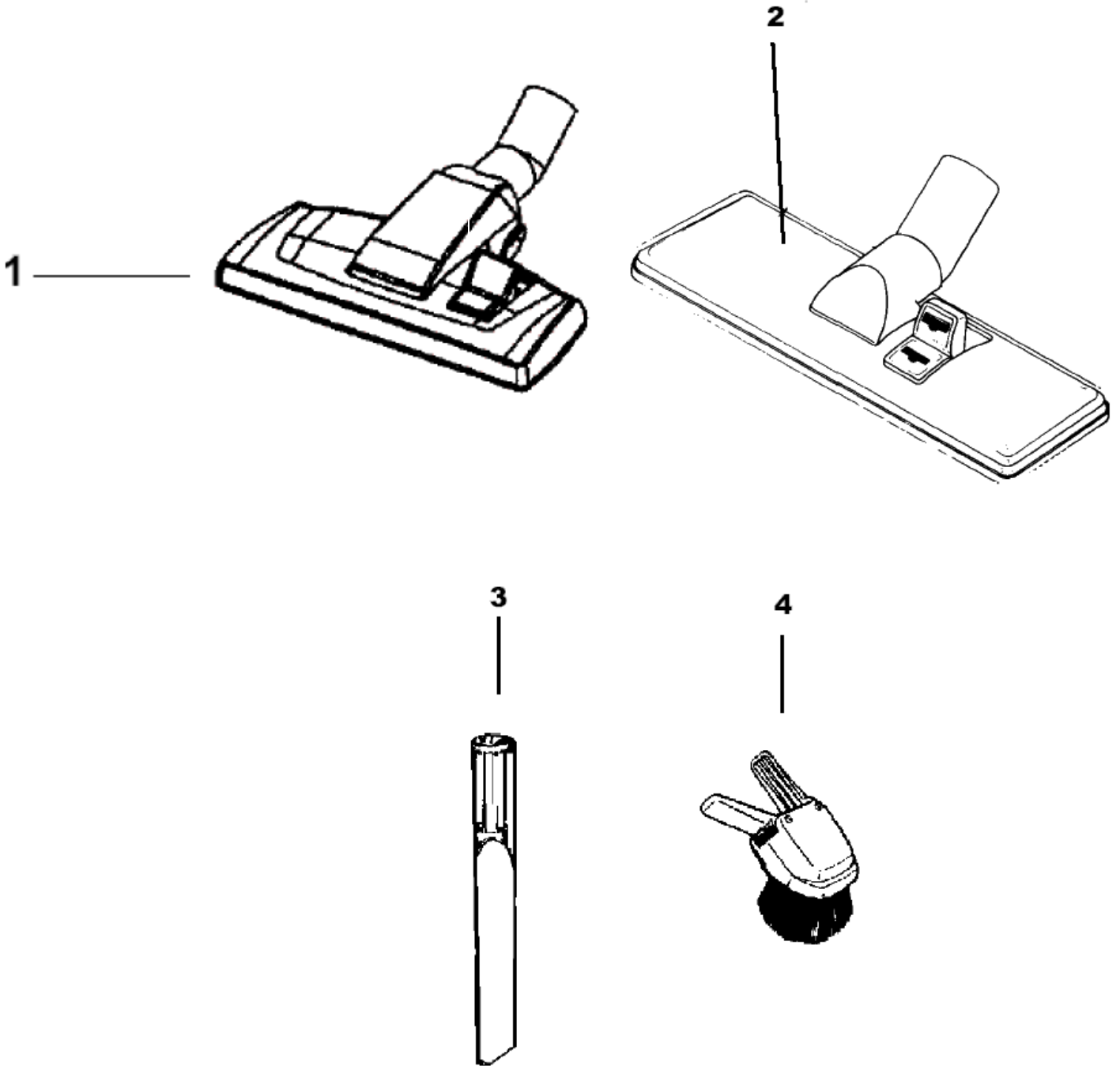
Nozzles 32 mm

GD 930 GD 930S2, GD930Q

08-11-2013

Dellista ID B0339M

11



Nozzles 32 mm

GD 930 GD 930S2, GD930Q

08-11-2013

Dellista ID
B0339M

12

Pos	Varunr.	Ant	Beskrivning
1	140 8492 520	1	KOMBIMUNSTYCKE EXTREME 32/300MM
2	140 5634 500	1	KOMBIMUNSTYCKE U/HJUL32/300MM
3	010 3098 500	1	FOGMUNSTYCKE PLAST 32MM
4	011 3104 500	1	BORSTE-TEXTILMUNSTYCKE

Hose and tubes

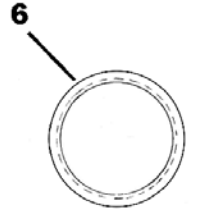
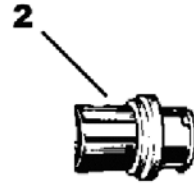
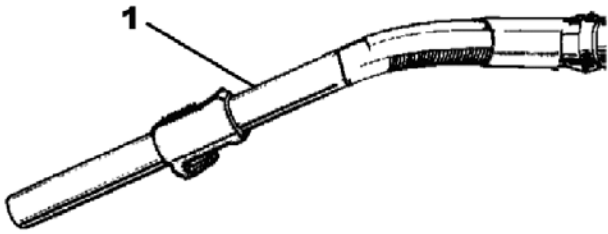
GD 930 GD 930S2, GD930Q

08-11-2013

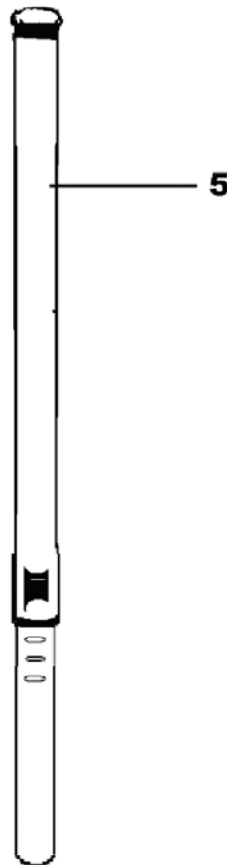
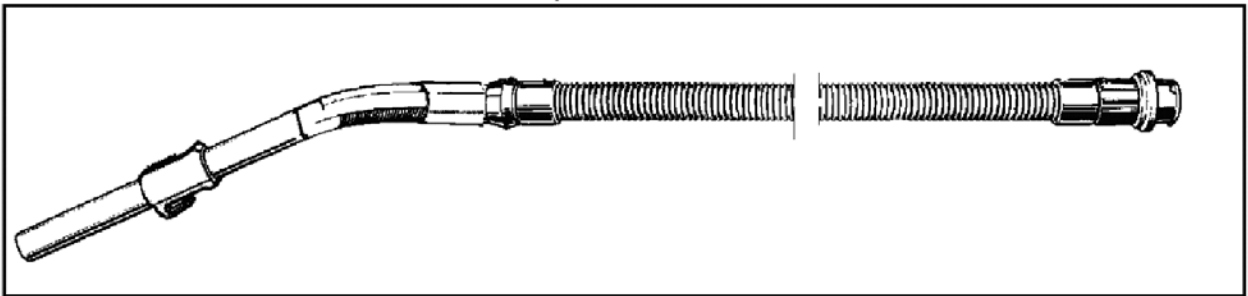
Dellista ID

B03311

13



3



Hose and tubes

GD 930 GD 930S2, GD930Q

08-11-2013

Dellista ID

B03311

14

Pos	Varunr.	Ant	Beskrivning
1	140 5116 500	1	RÖRBÖJ ALU. M. SUGREGLATOR
2	140 3846 500	1	SLANGSTOS
3	140 2782 500	1	SLANG KOMPL GD 930
4	011 6431 500	1	ALUMINIUMRÖR 32/500 MM
5	011 8130 500	1	Teleskoprör
6	010 9299 540	1	GASKET CPL

Power brush UZ 984 line drawing

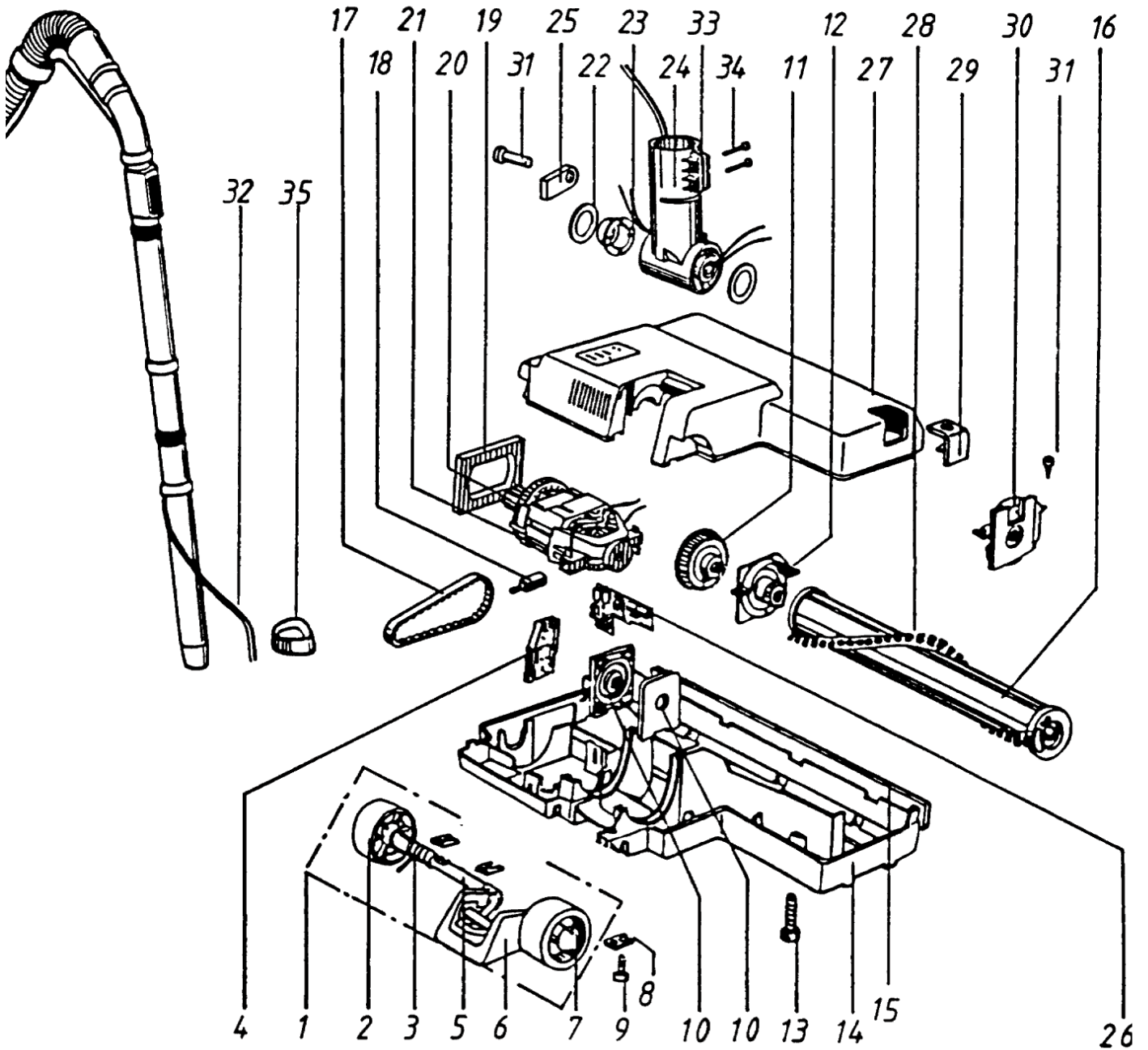
GD 930 GD 930S2, GD930Q

08-11-2013

Dellista ID

B03133

15



Power brush UZ 984 line drawing

GD 930 GD 930S2, GD930Q

08-11-2013

Dellista ID

B03133

16

Pos	Varunr.	Ant	Beskrivning	
0	909 1220 010	1	UZ 984 MOTORMUNSTYCKE	
0	909 1221 010	1	UZ 984 POWER NOZZLE 240V	
1	093 1751 000	1	SHAFT	
2	093 1750 000	2	WHEEL	Machine outphased 1998
3	093 1752 000	1	TENSION SPRING	Machine outphased 1998
4	142 0882 000	1	BEARING PLATE	
5	093 1754 000	1	SHAFT	
6	093 1755 000	1	PEDAL	
7	093 1757 000	2	LOCK WASHER	Machine outphased 1998
8	093 1759 000	3	WASHER	Machine outphased 1998
9	093 1760 000	5	SCREW RXS 3.9 13 Z.PL..	Machine outphased 1998
10	142 0883 000	2	BEARING CPL.	
11	142 0559 000	1	DRIVHJUL	
12	093 1763 000	1	BEARING	Machine outphased 1998
13	093 1764 000	4	SCREW MRX M5X25	
14	093 1765 000	1	CAP.	
15	142 0885 000	1	BUMPER	
16	093 1769 000	1	BORST VALS	Unit incl strip
17	093 1781 000	1	KUGGREM 2049	Machine outphased 1998
18	093 1783 000	2	Kol	
19	093 1782 000	1	INJECTOR	Machine outphased 1998
20	093 1780 000	1	KUGGHJUL	Machine outphased 1998
21	093 1779 000	1	MOTOR	Machine outphased 1998
21	093 1805 000	1	MOTOR 240V	
21	093 1806 000	1	BRUSH MOTOR 115V	
22	142 0886 000	2	WASHER	
23	142 0887 000	2	CONDUCTOR BEARING	
24	142 0888 000	1	CONNECTION TUBE	
25	142 0889 000	1	ANTI STRAIN CLIP	
26	142 0890 000	1	KRETSKORT 220V	
26	142 0891 000	1	EL. CONTROL BOARD 240V	
26	142 0892 000	1	EL.CONTROL BOARD 110V	
27	142 0893 000	1	TOP.	
28	093 1770 000	1	BORSTSEGMENT UZ 814	Only the strip is supplied
29	093 1768 000	1	SUPPORT	
30	093 1767 000	1	BEARING FOR BRUSH	Machine outphased 1998
31	093 1756 000	7	SCREW RXS 3.9 16 Z.PL.	Machine outphased 1998
32	142 0894 000	1	SLADDSTÄLL	
33	093 1786 000	2	SQUARE NUT M4	
34	18274	2	SKRUV M4X12	
35	011 3634 000	1	SLANG KLÄMMA	

RECOMMENDED SPARE PARTS

GD 930 GD 930S2, GD930Q

08-11-2013

Dellista ID

B03135

17

Ingen bild för dellista

RECOMMENDED SPARE PARTS

GD 930 GD 930S2, GD930Q

08-11-2013

Dellista ID

BU3135

18

Pos	Varunr.	Ant	Beskrivning
1	010 9299 540	1	GASKET CPL
1	010 9678 500	1	OUTLET ELECTRICAL 230V
1	107401390	1	CORD SET CN 15.5M - KIT CN ONLY
1	140 1515 500	1	FILTER HUVUD SKUM 930
1	140 1535 500	1	FILTER MOTOR + PACKNING
1	140 2782 500	1	SLANG KOMPL GD 930
1	140 5055 500	1	WHEEL REAR 2-P 930-SERIESINCL. DISCS
1	140 6423 500	1	KABEL EU 15M SVART
1	140 6423 510	1	LEDNING 10 M
1	140 6423 520	1	SLADD GD930 15METER Machine outphased 2010
1	140 6423 530	1	CORD UK L 15M
1	140 6423 540	1	CORD UK L 10M
1	140 6423 550	1	CORD US PLUG L 15M
1	140 6423 560	1	CORD US L 10M GROUNDED
1	140 6423 570	1	CORD JP L 15M
1	140 6423 580	1	CORD AU L 15.5M
1	140 7012 500	1	ÖVERH.SKYDD GD/UZ930/S2
1	140 7012 510	1	MOTOR PLATE GD 930/S2 THERMO PROTECTOR U
1	140 7014 500	1	DAMMPÅSELÅS UZ-GD 930 3-P
1	140 7019 500	1	CLOTH DUST BAG 1-P930-SERIES
1	140 7023 500	1	SWITCH SPEED FOR 930S2 SPEED REGULATION
1	140 7024 500	1	KORT ANTISTAT 930-SERIES
1	140 7025 500	1	FRAMHJUL GD930
1	140 7026 500	1	2S CIRCUIT BOARD 220-240V
1	140 7026 510	1	2S CIRCUIT BOARD 110-120V KIT
1	140 7033 500	1	SWITCH ON/OFF 930-SERIES
1	140 7665 500	1	OUTLET ELECT.15A 250V
1	140 7800 500	1	HANDTAG KIT GD930
1	140 7801 500	1	LOCK M/FILTER 930-SERIESFILTER ÄR MONTER
1	140 7801 510	1	LOCK MED HEPA FILTER930-SERIES
1	140 7832 500	1	LATCHES GD 930/S22 LOCKINGS
1	140 7902 500	1	MOTOR TILL GD 930
1	140 7902 510	1	FAN UNIT KIT 110-120V
1	140 7902 520	1	FLÅKTAGG.KIT 240V.UZ934ERS.011 6000 040
1	140 7902 530	1	FAN UNIT KIT DOMEL 100V

Wiring

GD 930 GD 930S2, GD930Q

08-11-2013

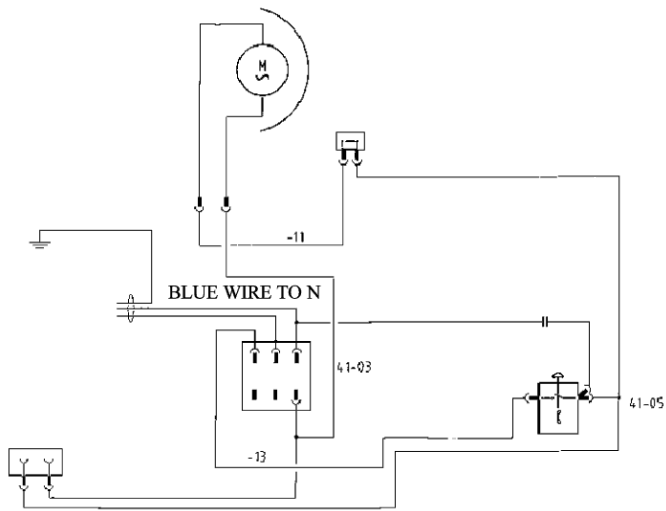
Dellista ID

GD93006

19

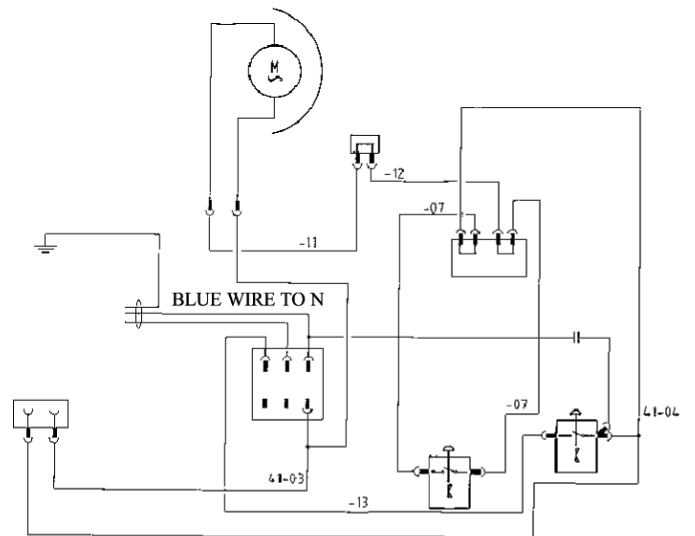
GD 930 GROUNDED VERSION

FOR THE NEW DOMEL
FAN UNITS



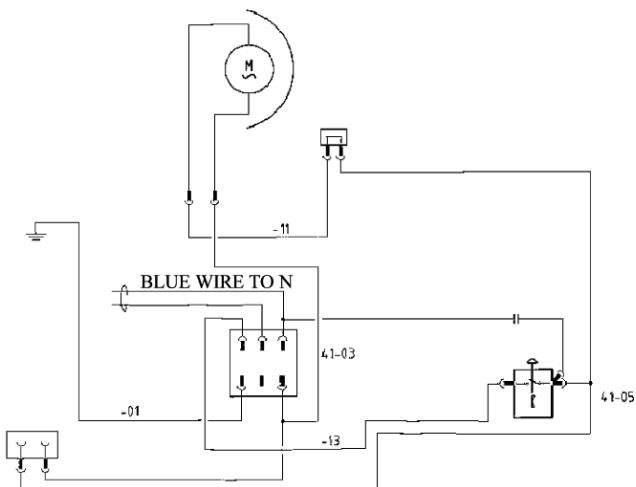
GD 930S2 GROUNDED

FOR THE NEW DOMEL
FAN UNITS



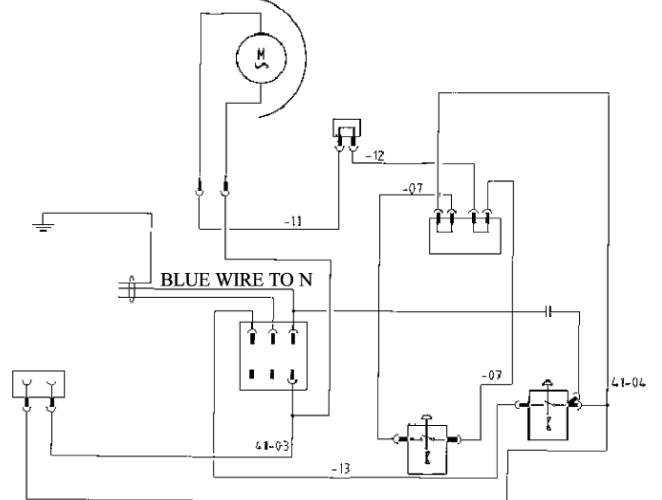
GD 930 DOUBLE INSULATED

FOR THE NEW DOMEL
FAN UNITS



GD 930S2 DOUBLE INSULATED

FOR THE NEW DOMEL
FAN UNITS



Wiring

GD 930 GD 930S2, GD930Q

08-11-2013

Dellista ID

GD93006

20