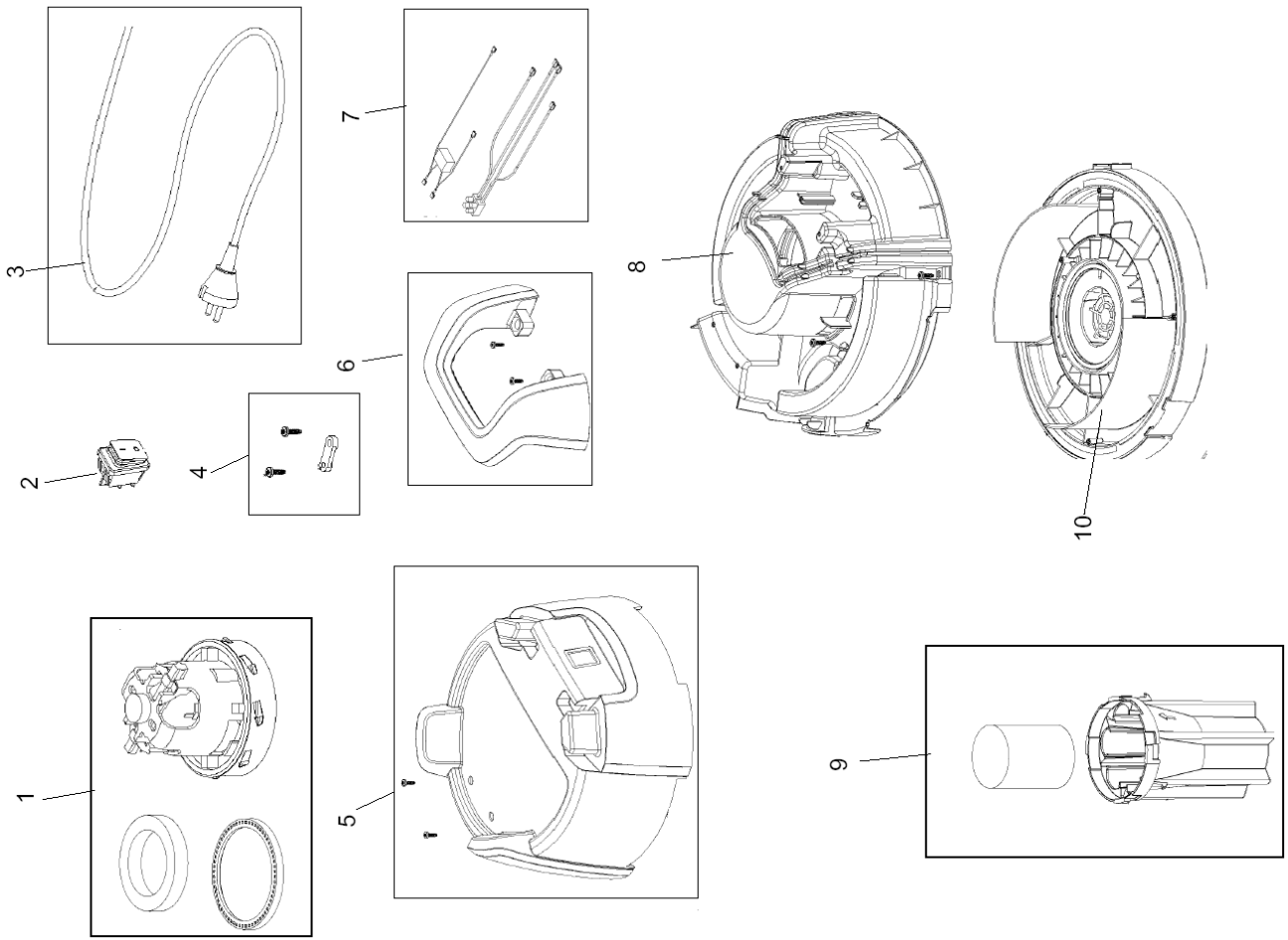

VAC 1320/1335

Reservedelsliste
Spare parts list
Ersatzteilliste
Liste de pièces détachées

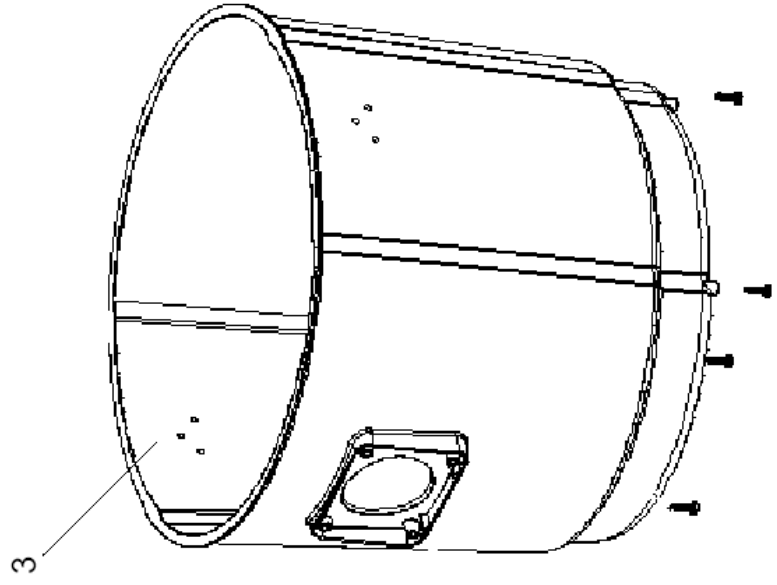
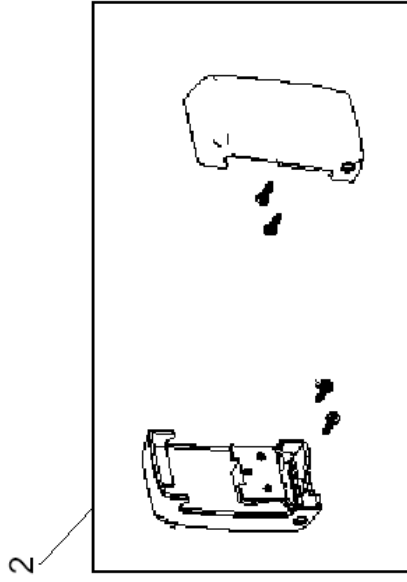
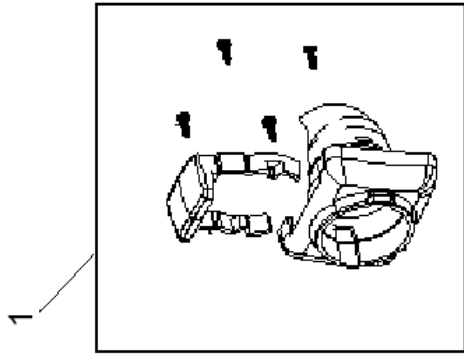
| | |
|----------------------------------------------------------|----|
| Motor top / Motor top / Motor top / Moteur top | 2 |
| Beholder / Container / / | 4 |
| Trolley / Trolley / / | 6 |
| Mundstykker / Nozzles / / Suceur, Tuyau & Tube | 8 |
| Filter/støvposer / Filter and dustbags / / | 10 |
| / Motor top Vac Tool / / | 12 |

Motor top / Motor top / Motor top / Moteur top



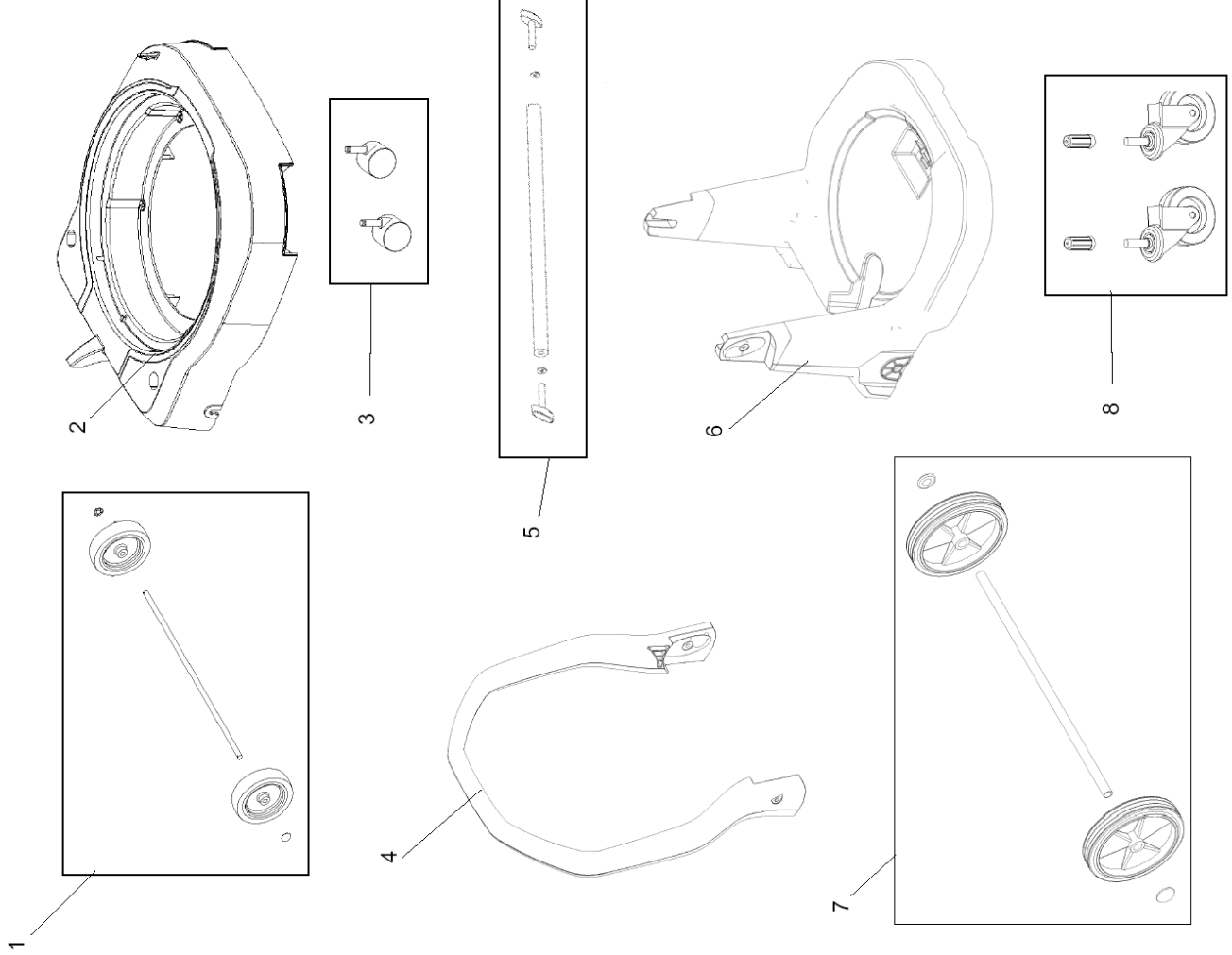
Motor top / Motor top / Motor top / Moteur top

| Pos. | Ref. no. | Betegnelse Description | Bezeichnung Description | VAC 1320 WET/DRY | VAC 1335 / VAC TOOL |
|------|----------|-----------------------------------------------|--------------------------------------------------------|---------------------|------------------------|
| 01 | 06382086 | VAKUUM MOTOR BY-PASS FAN UNIT BY-PASS | VAKUUM MOTOR BY-PASS MOTEUR ASPIRATEUR | 1 | 1 |
| 02 | 06382089 | AFBRYDER 2-POLET 2 STK SWITCH 2-POLE 2 PCS | SCHALTER 2-POLIG 2 STÜCK INTERRUPTEUR BIPOLAIRE 2P | 1 | 1 |
| 03 | 06382092 | KABEL EU 10M CORD EU 10M | KABEL EU 10M CÂBLE EU 10M | 1 | 1 |
| 03 | 06382093 | KABEL UK 10M CORD UK 10M | KABEL UK 10M CÂBLE UK 10M | 1 | 1 |
| 04 | 06382088 | KABELBØJLE ANTI STRAIN CLIP | KABEL SICHERUNG SERRE-CABLE | 1 | 1 |
| 05 | 06382075 | UDVENDIG AFDÆKNING COVER OUTER | AFDÄCKUNG AUSSER COUVERCLE EXTÉRIEUR | 1 | 1 |
| 06 | 06382079 | HANDTAG HANDLE | HANDGRIFF POIGNÉE | 1 | 1 |
| 07 | 06382087 | KONDENSATOR KIT CAPACITOR KIT | KONDENSATOR KIT KIT DE KONDENSATEUR | 1 | 1 |
| 08 | 06382082 | AFDÆKNING FOR VAKUUMMOTOR COVER FAN UNIT | ABDÄCKUNG FÜR VAKUUMMOTOR COUVERCLE P.MOTEUR À VIDE | 1 | 1 |
| 09 | 06382090 | FLYDER KURV FLOAT BASKET | KORB PANIER DE FLOTTEUR | 1 | 1 |
| 10 | 06382083 | RAMME CHASSIS | RAHMEN CADRE | 1 | 1 |
| 13 | 06 | | | | 1 |



Beholder / Container / /

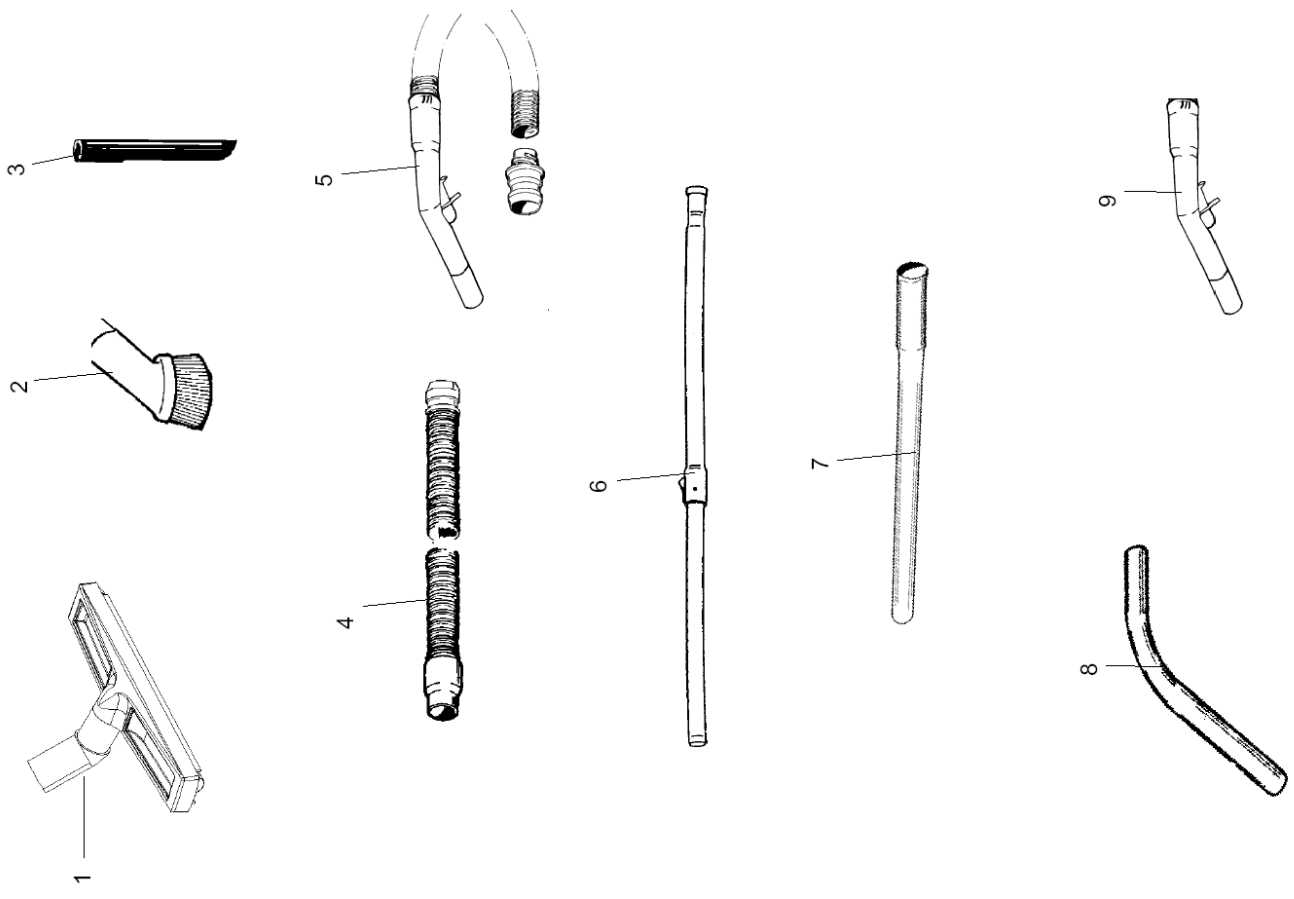
| Pos. | Ref. no. | Betegnelse Description | Bezeichnung Description | VAC 1320 WET/DRY | VAC 1335 / VAC TOOL |
|------|----------|-----------------------------------|--------------------------------|---------------------|------------------------|
| 1 | 06382041 | SUGEPOR T INLET | SAUGTOR PORTE D" ASPIRATION | 1 | 1 |
| 2 | 06382094 | LÅSEKLEMME 2 STK LATCHES 2 PCS | SCHLOSSBESCHLAG ATTACHE | 1 | 1 |
| 3 | 06382034 | BEHOLDER 20L CONTAINER 20L | BEHÅLTER 20L RÉSERVOIR 20L | 1 | |
| 3 | 06382035 | BEHOLDER 35L CONTAINER 35L | BEHÅLTER 20L RÉSERVOIR 35L | | 1 |



Trolley / Trolley / /

| Pos. | Ref. no. | Betegnelse Description | Bezeichnung Description | VAC 1320 WET/DRY | VAC 1335 / VAC TOOL |
|------|----------|-----------------------------------------|-------------------------------------------|---------------------|------------------------|
| 01 | 06382042 | HJUL, BAG 2 STKOGN WHEEL REAR 2 PCS | RAD HINTER 2 STÜK ROUES ARRIÈRES 2 PCS | 2 | 2 |
| 02 | 06382043 | RAMME FOR KØREVOGN FRAME FOR TROLLEY | RAHMEN CADRE P. CHARIOT | 1 | 1 |
| 03 | 06382010 | DREJHJUL KIT LINK WHEEL KIT | DREHRAD KIT ROULETTE PIVOTANTE ASPIRA | 2 | 2 |

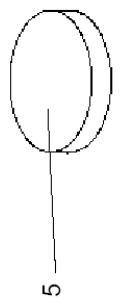
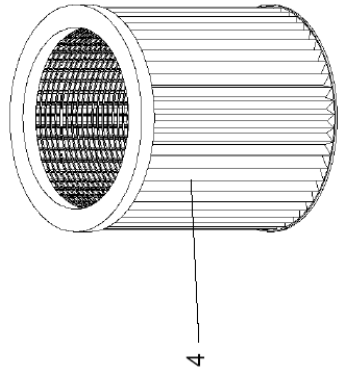
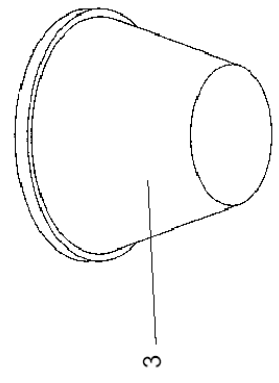
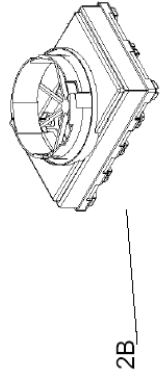
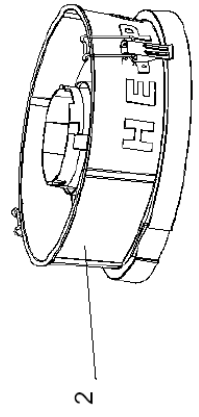
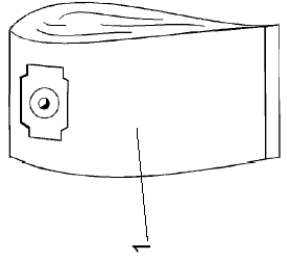
Mundstykker / Nozzles / / Suceur, Tuyau & Tube



Mundstykker / Nozzles / / Suceur, Tuyau & Tube

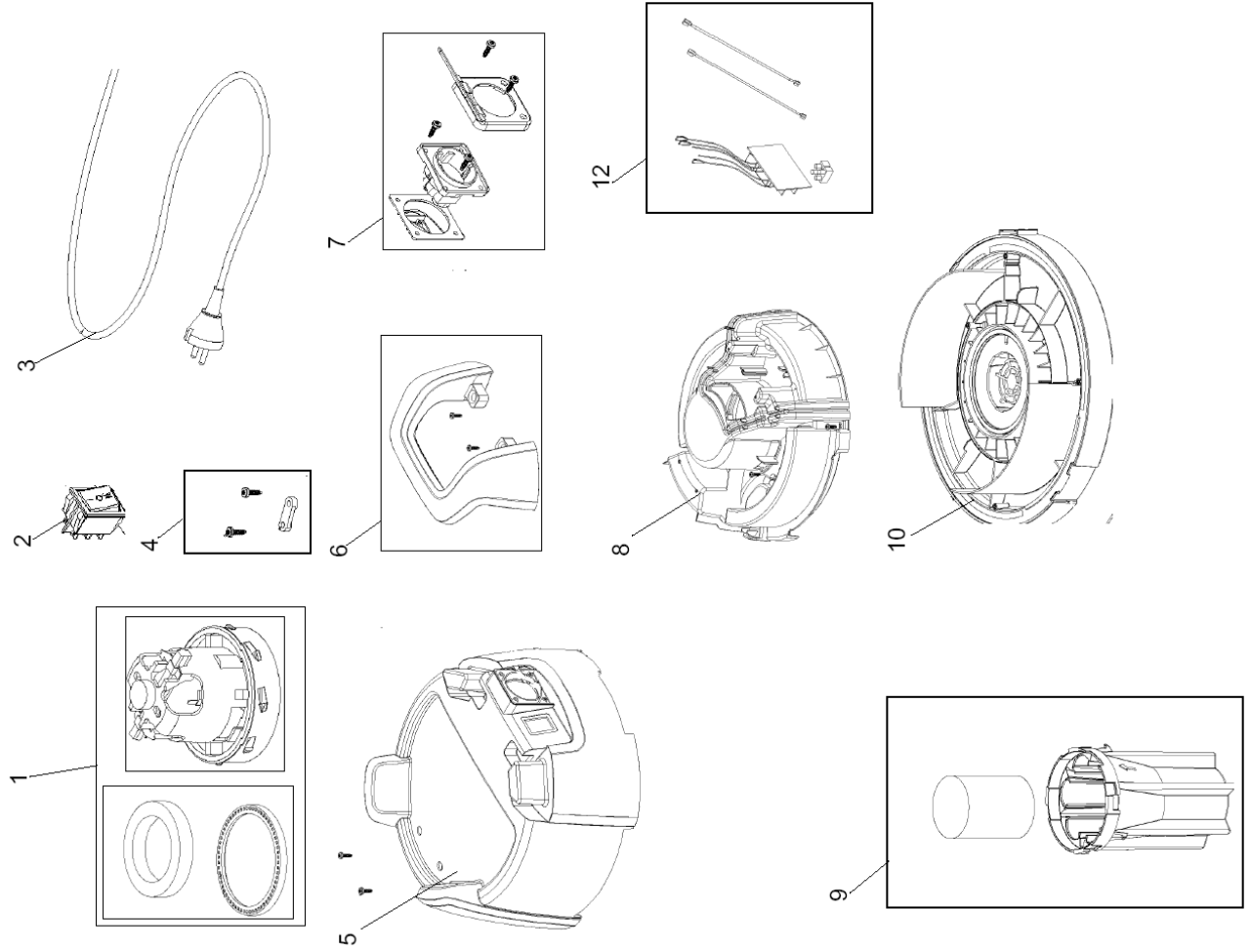
| Pos. | Ref. no. | Betegnelse Description | Bezeichnung Description | VAC 1320 WET/DRY | VAC 1335 / VAC TOOL |
|------|----------|-------------------------------------------------------|----------------------------------------------------|---------------------|------------------------|
| 01 | 06382055 | MUNDSTYKKE VAD Ø32 NOZZLE WET RUB.STRIP D32 | DÜSE FÜR WASSER Ø32 SUCEUR HUMIDE Ø32 | 1 | 1 |
| 01 | 06382056 | MUNDSTYKKE BØRSTE Ø32 NOZZLE DRY BRUSH D32 | DÜSE BÜRSTEN Ø32 SUCEUR BROSE Ø32 | 1 | 1 |
| 02 | 06382059 | BØRSTE MUNDSTYKKE BRUSH NOZZLE | DÜSE BÜRSTEN SUCEUR BROSE | 1 | 1 |
| 03 | 06382019 | FUGEMUNDSTYKKE CREVICE NOZZLE | FUG DÜSE EMBOUCHUER PLATE | 1 | 1 |
| 05 | 06382025 | SLANGE KPL Ø32MM L=1900MM HOSE CPL. D32MM L=1900MM | SCHLAUCH Ø32MM L 1,9M TUYAU CPL Ø32MM 1,9M | 1 | 1 |
| 06 | 06382021 | TELESKOP RØR ALUMINIUM TELESKOPIC TUBE | TELESKOP ROHR TUBE FLEXIBLE | 1 | 1 |
| 07 | 06382062 | STÅLRØR Ø32 L=500MM TUBE STEEL Ø32 L=500MM | STAHLROHR Ø32 L=500MM TUBE ACIER DIA 32-L 500MM | 1 | 1 |
| 09 | 06382023 | HANDTAG KPL HANDLE CPL | HANDGRIFF KPL POIGNEE CPL | 1 | 1 |

Filter/støvposer / Filter and dustbags / /



Filter/støvsposer / Filter and dustbags / /

| Pos. | Ref. no. | Betegnelse Description | Bezeichnung Description | VAC 1320 WET/DRY | VAC 1335 / VAC TOOL |
|------|----------|-------------------------------------------------------|--------------------------------------------------------|---------------------|------------------------|
| 01 | 06382066 | FILTERPOSE SELVLUK 3 STK DUST BAG SELF CLOSE 3 PCS | PAPIERFILTER 3 STUK SAC PAPIER - 3 PIECES | 3 | 3 |
| 02 | 06382067 | HEPA FILTER MED RAMME HEPA FILTER WITH FRAME | HEPA FILTER MIT RAHMEN FILTRE HEPA AVEC CADRE | 1 | 1 |
| 02B | 06382073 | HEPA FILTER HEPA FILTER ONLY | HEPAFILTER FILTRE HEPA | 1 | 1 |
| 03 | 06382068 | FILTERPOSE VAC 1320,1335 FILTER SACK VAC 1320,1335 | PAPIERFILTER VAC1320,1335 FILTRE D'ETOFFE VAC 1320, | 1 | 1 |
| 04 | 06382071 | FILTERPATRON FILTER CARTRIDGE | FILTERFUTTER CARTOUCHE DE FILTRE | 1 | 1 |
| 05 | 06382072 | MOTOR FILTER MOTOR FILTER | MOTOR FILTER FILTRE DE MOTEUR | 1 | 1 |



/ Motor top Vac Tool / /

| Pos. | Ref. no. | Betegnelse Description | Bezeichnung Description | VAC 1320 WET/DRY | VAC 1335 / VAC TOOL |
|------|----------|---------------------------------------------------|--------------------------------------------------------|---------------------|------------------------|
| 01 | 06382086 | VAKUUM MOTOR BY-PASS FAN UNIT BY-PASS | VAKUUM MOTOR BY-PASS MOTEUR ASPIRATEUR | | 1 |
| 02 | 06382076 | AFBRYDER SWITCH | SCHALTER INTERRUPTEUR | | 1 |
| 03 | 06382077 | KABEL EU 10M CORD SET EU 10M | KABEL EU 10M CÂBLE EU 10M | | 1 |
| 03 | 06382078 | KABEL UK 10M CORD SET UK 10M | KABEL UK 10M CÂBLE UK 10M | | 1 |
| 04 | 06382088 | KABELBØJLE ANTI STRAIN CLIP | KABEL SICHERUNG SERRE-CABLE | | 1 |
| 06 | 06382079 | HANDTAG HANDLE | HANDGRIFF POIGNÉE | | 1 |
| 07 | 06382080 | STIKDÅSE FOR EU-STIK ELECTRICAL OUTLET EU-PLUG | STECKDOSE FÜR EU-STECK PRISE DE COURANT EU | | 1 |
| 07 | 06382081 | STIKDÅSE FOR UK-STIK ELECTRICAL OUTLET UK-PLUG | STECKDOSE FÜR UK-STECK PRISE DE COURANT UK | | 1 |
| 08 | 06382082 | AFDÆKNING FOR VAKUUMMOTOR COVER FAN UNIT | ABDÄCKUNG FÜR VAKUUMMOTOR COUVERCLE P.MOTEUR À VIDE | | 1 |
| 09 | 06382090 | FLYDER KURV FLOAT BASKET | KORB PANIER DE FLOTTEUR | | 1 |
| 10 | 06382083 | RAMME CHASSIS | RAHMEN CADRE | | 1 |
| 12 | 06382084 | PRINT CIRCUIT BOARD | PRINT CARTE DE CIRCUIT | | 1 |