

---

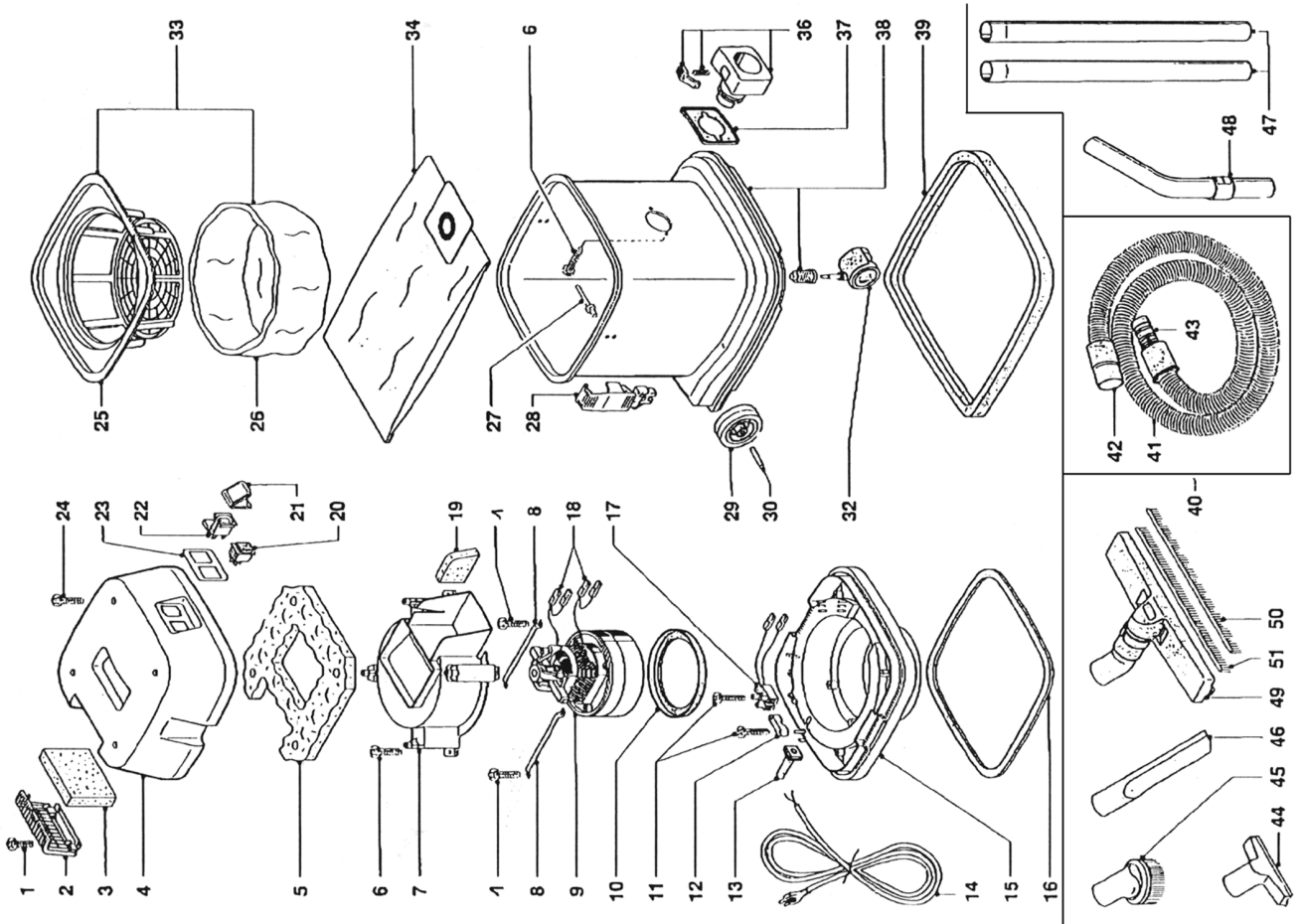
# VAC 05/10/100/400/590/600

---

**Reservedelsliste**  
**Spare parts list**  
**Ersatzteilliste**  
**Liste de pièces détachées**

VAC 05 / VAC 05 / VAC 05 / VAC 05 . . . . .	2
VAC 10 / VAC 10 / VAC 10 / VAC 10 . . . . .	6
VAC 100 / VAC 100 / VAC 100 / VAC 100 . . . . .	10
VAC 400 / VAC 400 / VAC 400 / VAC 400 . . . . .	14
VAC 400 / VAC 590 / VAC 400 / VAC 400 . . . . .	18
VAC 600 / VAC 600 / VAC 600 / VAC 600 . . . . .	23

VAC 05 / VAC 05 / VAC 05 / VAC 05



**VAC 05 / VAC 05 / VAC 05 / VAC 05**

Pos.	Ref. no.	Betegnelse Description	Bezeichnung Description	VAC 05	VAC 10	VAC 100	VAC 400	VAC 590	VAC 600
01	06380513	SKRUE, 5X13 SCREW, 5X13	SCHRAUBE 4,8X13 VIS 4	4					
02	06381003	GITTER UDBLÆSNING GRID EXHAUST	GRILLE D'EVACUATION	1					
03	06380957	UDSTØDNINGSFILTER, VAC05 EXHAUST AIR FILTER, VAC 05	FILTRE DE SORTIE VAC 05	1					
04	06381004	MOTORKALOT MOTOR TOP	CALLOTE DE MOTEUR	1					
05	06381005	FIREFLEX T MOTORKALOT HANDLE ENCLOSURE WITH BAFFLE	FIREFLEX POUR CALLOTE DE MOTEUR	1					
06	06381425	SKRUE, 4,8X22 SCREW, 4,8X22	SCHRAUBE 4,8 X 22 VIS	4					
07	06381006	MOTOR HUS MOTOR RETAINING MOULDING	CORPS DE MOTEUR VAC 05	1					
08	06381007	MOTOR CLIPS MOTOR CLIP	CLIP POUR MOTEUR	2					
09	06381008	MOTOR, VAC 05 230V / 1000W MOTOR, VAC 05 230V / 1000W	MOTEUR VAC 05	1					
09a	06380750	KUL TIL MOTOR BRUSH HOLDER	BÜRSTENHALTER VAC CHARBON VAC	2					
10	06380530	GUMMIRING RUBBER RING	GUMMIRING F/MOTOR JOINT MOTEUR	1					
11	06380515	SKRUE, 9X19 SCREW, 9X19	SCHRAUBE 2 9X19 VIS 2	3					
12	06380516	KABELKLEMME CABLE CLAMP	KABELKLEMME MANCHON BRIDE DE CABLE	1					
13	06381009	KABELAFLASTNING CABLE RELIEF	DECHARGEMENT DE CABLE	1					
14	06381010	EL KABEL POWER SUPPLY CABLE	CABLE ELECTRIQUE VAC 05	1					
15	06381011	MOTOR BUNDFLANGE MOTOR BOTTOM FLANGE	MOTEUR BRIDE DE FOND	1					
16	06381012	GUMMIPAKNING RUBBER GASKET	JOINT EN CAOUTCHOUC	1					
17	06381013	KLEMRAEKKE TERMINAL STRIP	BARRETTE DE JONCTION	1					
18	06381014	MOTORLEDNINGER, G6000 CABLES FOR MOTOR, G6000	CABLES POUR MOTEUR, G6000	2					
19	06380975	FIREFLEX FIREFLEX	FIREFLEX	1					
20	06381015	AFBRYDER, 2 POLET SWITCH, 2 POLET	INTERRUPTEUR, 2 POLET	1					
21	06380763	BESKYTTELSHÆTTE PROTECTION CAP	SCHUTZKAPPE F. ABSCHALTER CAPUCHON DE PROTECTION INTERRUPTEUR	1					

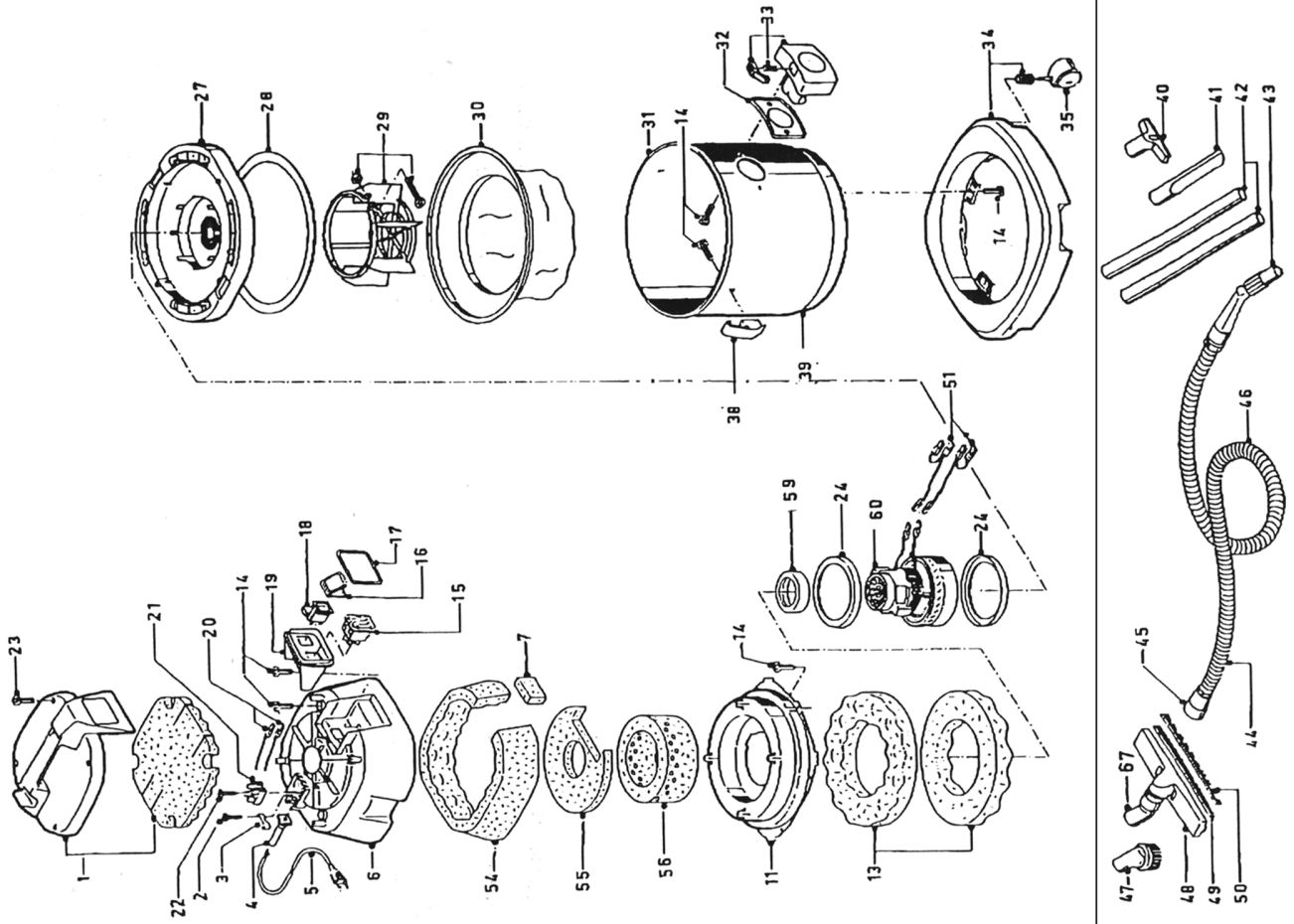
**VAC 05 / VAC 05 / VAC 05 / VAC 05**

Pos.	Ref. no.	Betegnelse Description	Bezeichnung Description	VAC 05	VAC 10	VAC 100	VAC 400	VAC 590	VAC 600
22	06380407	HUNSTIK EL BØRSTE, 850 FEMALE PLUG FOR EL-BRUSH, 850	STECKER F. EKEKTROB. 850, WEIBLICH PRISE FEMELLE	1					
23	06381016	KLÆBESKILT FOR AFBRYDER GLUE PLATE F/SWITCH	PLAQUE COLLANTE P. INTERRUPTEUR	1					
24	06381017	SKRUE, 5X16 SCREW, 5X16	VIS, 5X16	4					
25	06381018	FILTERRAMME FILTER FRAME	CADRE DE FILTRE	1					
26	06381019	STOFFFILTER CLOTH FILTER	FILTRE DE TISSU	1					
27	06381020	POPNIITTE POP NUT	RIVET	4					
28	06381021	LÅSEBESLAG CANNISTER CLIP	CLIQUET D'ARRET	2					
29	06381022	HJUL, 75 MM WHEEL, 75 MM	ROUE, 75 MM	2					
30	06381023	HJULAKSEL WHEEL AXLE	ARBRE DE ROUE	2					
32	06380984	HJUL, Ø50 WHEEL, Ø50	ROULETTE VAC05/10/100	2					
33	06381024	STOFFFILTERSATS KPL., VAC 05 "CLOTH FILTER SET, CPL.", VAC 05	"KIT DE FILTRE DE TISSU,	1					
34	06380967	PAPIRPOSE VAC 05 (105TK) PAPER BAG, VAC 05	SAC PAPIER VAC 05/ QT 10	1					
36	06381025	SUGEPORT HOSE INLET	PORTE D'ASPIRATION	1					
37	06381026	GUMMIPAKNING RUBBER GASKET	JOINT EN CAOUTCHOUC	1					
38	06381027	BEHOLDER INKL. HJULBØSNING TANK INCL. WHEEL BUSHING	RESERVOIR AVEC BOÎTE DE ROUE	1					
39	06381028	BESKYTTELSESRING PROTECTING RING	ANNEAU PROTECTEUR	1					
40	06380960	SUGESLANGE, KPL., Ø32 MM SUCTION HOSE, CPL., Ø32 MM	TUYAU D'ASPIRATION CPL DI	1					
41	06381029	LØS SLANGE, Ø 32 SUCTION PIPE BY METRE, Ø	TUYAU SUPPLEMENTAIRE	1					
42	06381030	MUFFE T. SUGESLANGE HOSE SOCKET FOR SUCTION PIPE	MANCHON POUR TUBE D'ASPIRATION	1					
43	06381031	MUFFE T. SUGEPORT HOSE SOCKET FOR SUCTION PORT	MANCHON POUR PORTE D'ASPIRATION	1					
44	06380963	POLSTERMUNDSTYKKE , Ø32 MM UPHOLSTERY NOZZLE , Ø32 MM	EMBOUCHURE FAUTEUIL DIAM	1					
46	06380964	FUGEMUNDSTYKKE , Ø32 MM JOINT NOZZLE , Ø32 MM	EMBOUCHURE PLATE DIAM 32	1					

**VAC 05 / VAC 05 / VAC 05 / VAC 05**

Pos.	Ref. no.	Betegnelse Description	Bezeichnung Description	VAC 05	VAC 10	VAC 100	VAC 400	VAC 590	VAC 600
47	06380961	STÅLRØR, 1 STK. 50 CM , Ø32 MM STEEL PIPE, 1 PC. 50 CM , Ø32 MM	RALLONGE DE TUBE ACIER DI	2					
48	06380962	STÅLRØR, KURVET , Ø32 MM STEEL PIPE, CURVE-SHAPED, Ø32 MM	TUBE ACIER COUDE DIAM 32	1					
48	06381125	PLASTRØR KURVET, Ø32 TUBE PLAST CURVE, Ø32	TUBE PLAST CURVE, □32	1					
49	06380965	P340 UNIVERSALMUNDSTYKKE , Ø32 MM P340 UNIVERSAL NOZZLE , Ø32 MM	SUCEUR COMBINE UNIVERSAL	1					
50	06380988	BØRSTE BRUSH	BROSSE	1					
51	06380987	BØRSTE BRUSH	BROSSE	1					

VAC 10 / VAC 10 / VAC 10 / VAC 10



## VAC 10 / VAC 10 / VAC 10 / VAC 10

Pos.	Ref. no.	Betegnelse Description	Bezeichnung Description	VAC 05	VAC 10	VAC 100	VAC 400	VAC 590	VAC 600
01	06380971	MOTOR KALOT M. FIREFLEX HANDLE ENCLOSURE WITH BAFFLE	CALOTTE MOTEUR 10/100/400	1					
02	06070356	SKRUE, M3X16 SCREW, M3X16	SCHRAUBE P/K, GALV. VIS GALVANISEE	1					
03	06380516	KABELKLEMME CABLE CLAMP	KABELKLEMME MANCHON BRIDE DE CABLE	1					
04	06380517	KABELAFLASTNING CABLE RELIEF	KABELMANSCHETTE PASSE FIL	1					
05	06380973	EL KABEL, 8 M POWER SUPPLY CABLE, 8 M	CABLE ELECTRIQU, VAC10/100	1					
06	06380974	MOTOR HUS MOTOR RETAINING MOULDING	CORPS MOTEUR VAC10/100/40	1					
07	06380975	FIREFLEX FIREFLEX	FIREFLEX	1					
11	06380976	MOTOR LUFSEPARATOR MOTOR Moulding	DICHTUNG JOINT	1					
13	06380977	MOTOR LUFT FIREFLEX MOTOR BAFFLES	MOUSSE INSONORE	2					
14	06380524	SKRUE, 8X16,5 SCREW, 8X16,5	SCHRAUBE 4 8X16,5 VIS	16					
15	06380406	AFBRYDER, 2 POLET SWITCH, 2 POLET	SCHALTER KPL. 850-1000-2000-3000 INTERRUPTEUR- 1000 - 1000	1					
16	06380763	BESKYTTELSESHÆTTE PROTECTION CAP	SCHUTZKAPPE F. ABSCHALTER CAPUCHON DE PROTECTION INTERRUPTEUR	1					
17	06380978	PAKNING GASKET	JOINT	1					
18	06380407	HUNSTIK EL BØRSTE, 850 FEMALE PLUG FOR EL-BRUSH, 850	STECKER F. EKEKTROB. 850, WEIBLICH PRISE FEMELLE	1					
19	06380979	HUS FOR AFBRYDER HOUSING FOR SWITCH	CORPS P INTERRUPTEUR	1					
20	06380980	LEDNING TIL AFBRYDER CABLE FOR SWITCH	CABLE P INTERRUPTEUR	2					
21	06380514	KLEMRÆKKE TERMINAL STRIP	KLEMMENREIHE BARRETTE DE JONCTION	1					
22	06380515	SKRUE, 9X19 SCREW, 9X19	SCHRAUBE 2 9X19 VIS 2	3					
23	06381425	SKRUE, 4,8X22 SCREW, 4,8X22	SCHRAUBE 4,8 X 22 VIS	8					
24	06380530	GUMMIRING RUBBER RING	GUMMIRING F/MOTOR JOINT MOTEUR	1					
27	06380981	MOTOR BUNDFLANGE MOTOR BOTTOM FLANGE	CARTER SUPPORT MOTEUR	1					
28	06380531	GUMMIPAKNING RUBBER GASKET	GUMMIDICHTUNG GEGEN BEHALTER JOINT CUVERECEPTABLE RECEPTABLE	1					

## VAC 10 / VAC 10 / VAC 10 / VAC 10

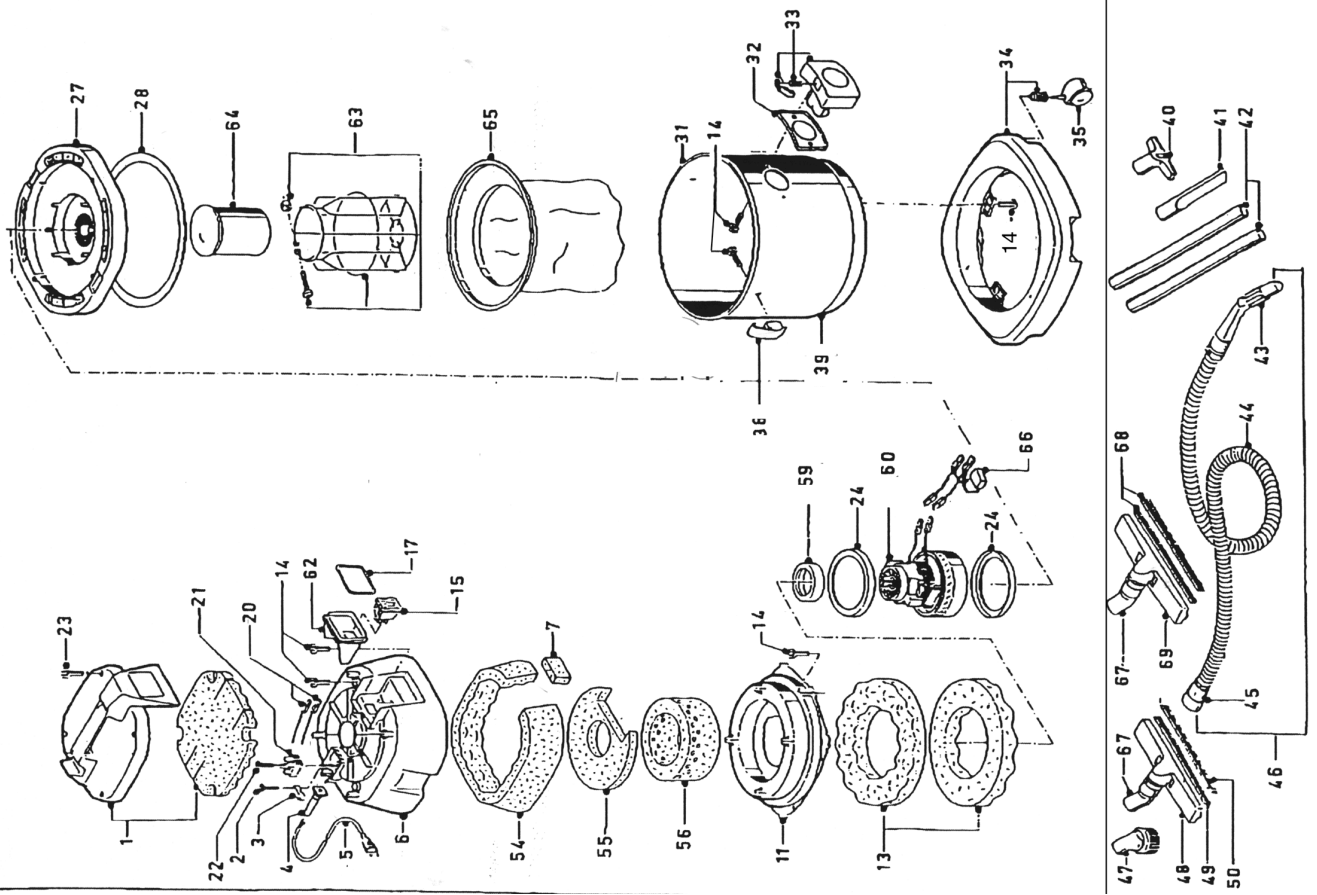
Pos.	Ref. no.	Betegnelse Description	Bezeichnung Description	VAC 05	VAC 10	VAC 100	VAC 400	VAC 590	VAC 600
29	06380532	FILTERSPREDER , 850D FILTER SPREADER, 850D	FILTERZERSTAEUBER VAC 850D DIFFUSEUR DE FILTRE VAC 850D	1					
30	06380235	STOFFFILTER VAC 10 FILTER CLOTH, CPL., VAC 10	STOFFFILTER KPL. F/850D FILTER TISSU VAC 850	1					
31	06380982	BEHOLDER KOMPLET TANK CPL.	RESERVOIR CPL.	1					
32	06380556	GUMMIPAKNING RUBBER GASKET	GUMMIDICHTUNG F/EINLASS RACCORNTREE ENTREE	1					
33	06380555	BØSNING KPL. FOR TILGANG SLEEVE CPL. FOR INLET	BUCHSE KPL. F. EINLASS COLLECTEUR D/TUYAU=381083	1					
34	06380983	BUNDRAMME BOTTOM FRAME	CADRE DE FOND VAC10/100	1					
35	06380984	HJUL, Ø50 WHEEL, Ø50	ROULETTE VAC05/10/100	4					
38	06380525	BESLAG FOR MOTORHOVED FITTINGS FOR MOTOR HEAD	BESCHLAG F/MOTORKOPF FERMOIR	2					
39	06380985	RA BEHOLDER PLAIN CANNISTER	RECIPIENT	1					
40	06380216	POLSTERMUNDSTYKKE Ø36MM UPHOLSTERY NOZZLE, Ø36 MM	POLSTERDUESE F/850D Ø36MM EMBOUCHURE FAUTEUIL DIAM. 30	1					
41	06380220	FUGEMUNDSTYKKE, Ø36 MM JOINT NOZZLE, Ø36 MM	FUGDUESE Ø36MM EMBOUCHURE PLATE DIAM 36	1					
43	06380482	MANCHET FRA SLANGE TIL SUGERØR, Ø36 MM CUP FROM HOSE TO SUCTION PIPE, Ø36 MM	MANSCHETTE F/SCHLAUCH Ø36MM SAUGRO- TUBE COURBE AVEC APPEL	1					
44	06380448	STØVSUGERSLANGE Ø36 SUCTION HOSE, Ø36 MM (M)	SAUGSCHLAUCH Ø36 JE METER TUYAU FLEXIBLE AU METRE D	1					
45	06380824	MANCHET FRA SLANGE TIL MASKINE, Ø36 MM CUP FROM HOSE TO MACHINE, Ø36 MM	MANSCHETTE RACCORD	1					
46	06380742	SUGESLANGE KOMPLET Ø36MM SUCTION HOSE, CPL., Ø36 MM	SCHLAUCH KPL. F. VAC 1010 FLEXIBLE CPL. POUR VAC 10	1					
47	06380218	RUNDBØRSTE 90°, Ø36 MM CIRCULAR BRUSH 90°, Ø36 MM	RUNDBUERSTE 90 GR Ø36-40 MM BROSSE RONDE 90DEGRES DIAAM. 36-40 MM	1					
48	06380986	UNIVERSALMUNDSTYKKE, Ø36 UNIVERSAL SUCTION NOZZLE, Ø36	SUCEUR UNIVERSEL DIA 36	1					
49	06380987	BØRSTE BRUSH	BROSSE	1					
50	06380988	BØRSTE BRUSH	BROSSE	1					
51	06380989	LEDNINGSSÆT CABLES	CABLES	1					
54	06380990	FIREFLEXMOTORHUS BAFFLE SURROUND	MOUSSE INSONORE	1					
55	06380991	FIREFLEX T. MOTOR TOP TOP BAFFLE	MOUSSE INSONORE	1					



**VAC 10 / VAC 10 / VAC 10 / VAC 10**

Pos.	Ref. no.	Betegnelse Description	Bezeichnung Description	VAC 05	VAC 10	VAC 100	VAC 400	VAC 590	VAC 600
56	06380992	FIREFLEX MOTOR FIREFLEX MOTOR	MOUSSE INSONORE	1					
59	06380993	MOTOR RING, A40 MOTOR SUPPORT RING, A40	ANNEAU DE MOTEUR, A40	1					
60	06380410	MOTOR 1000W - 220V MOTOR, VAC100/2000/3000/1050 220-240V	MOTOR 1000-2000-3000-1050 MOTEUR 1000 1050 2000 3000 220 V	1					
60a	06380750	KUL TIL MOTOR BRUSH HOLDER	BÜRSTENHALTER VAC CHARBON VAC	2					
67	06380994	LEDRØR LINK PIPE	JOINT DE CABLE	1					

VAC 100 / VAC 100 / VAC 100 / VAC 100



# VAC 100 / VAC 100 / VAC 100 / VAC 100

Pos.	Ref. no.	Betegnelse Description	Bezeichnung Description	VAC 05	VAC 10	VAC 100	VAC 400	VAC 590	VAC 600
01	06380971	MOTOR KALOT M. FIREFLEX HANDLE ENCLOSURE WITH BAFFLE	CALOTTE MOTEUR 10/100/400			1			
02	06070356	SKRUE, M3X16 SCREW, M3X16	SCHRAUBE P/K, GALV. VIS GALVANISEE			3			
03	06380516	KABELKLEMME CABLE CLAMP	KABELKLEMME MANCHON BRIDE DE CABLE			1			
04	06380517	KABELAFLASTNING CABLE RELIEF	KABELMANSCHETTE PASSE FIL			1			
05	06380973	EL KABEL, 8 M POWER SUPPLY CABLE, 8 M	CABLE ELECTRIQU. VAC10/100			1			
06	06380974	MOTOR HUS MOTOR RETAINING MOULDING	CORPS MOTEUR VAC10/100/40			1			
07	06380975	FIREFLEX FIREFLEX	FIREFLEX			1			
11	06380976	MOTOR LUFTSEPARATOR MOTOR MOULDING	DICHTUNG JOINT			1			
13	06380977	MOTOR LUFT FIREFLEX MOTOR BAFFLES	MOUSSE INSONORE			1			
14	06380524	SKRUE, 8X16,5 SCREW, 8X16,5	SCHRAUBE 4 8X16,5 VIS			16			
15	06380406	AFBRYDER, 2 POLET SWITCH, 2 POLET	SCHALTER KPL. 850-1000-2000-3000 INTERRUPTEUR- 1000 - 1000			1			
17	06380978	PAKNING GASKET	JOINT			1			
20	06380980	LEDNING TIL AFBRYDER CABLE FOR SWITCH	CABLE P. INTERRUPTEUR			2			
21	06380514	KLEMRÆKKE TERMINAL STRIP	KLEMMENREIHE BARRETTE DE JONCTION			1			
22	06380515	SKRUE, 9X19 SCREW, 9X19	SCHRAUBE 2 9X19 VIS 2			3			
23	06381425	SKRUE, 4,8X22 SCREW, 4,8X22	SCHRAUBE 4,8 X 22 VIS			8			
24	06380530	GUMMIRING RUBBER RING	GUMMIRING F/MOTOR JOINT MOTEUR			1			
27	06380981	MOTOR BUNDFLANGE MOTOR BOTTOM FLANGE	CARTER SUPPORT MOTEUR			1			
28	06380531	GUMMIPAKNING RUBBER GASKET	GUMMIDICHTUNG GEGEN BEHALTER JOINT CUVERECEPTABLE RECEPTABLE			1			
31	06380982	BEHOLDER KOMPLET TANK CPL.	RESERVOIR CPL.			1			
32	06380556	GUMMIPAKNING RUBBER GASKET	GUMMIDICHTUNG F/EINLASS RACCORDENTREE			1			
33	06380555	BØSNING KPL. FOR TILGANG SLEEVE CPL. FOR INLET	BUCHSE KPL. F. EINLASS COLLECTEUR D/TUYAU=381083			1			

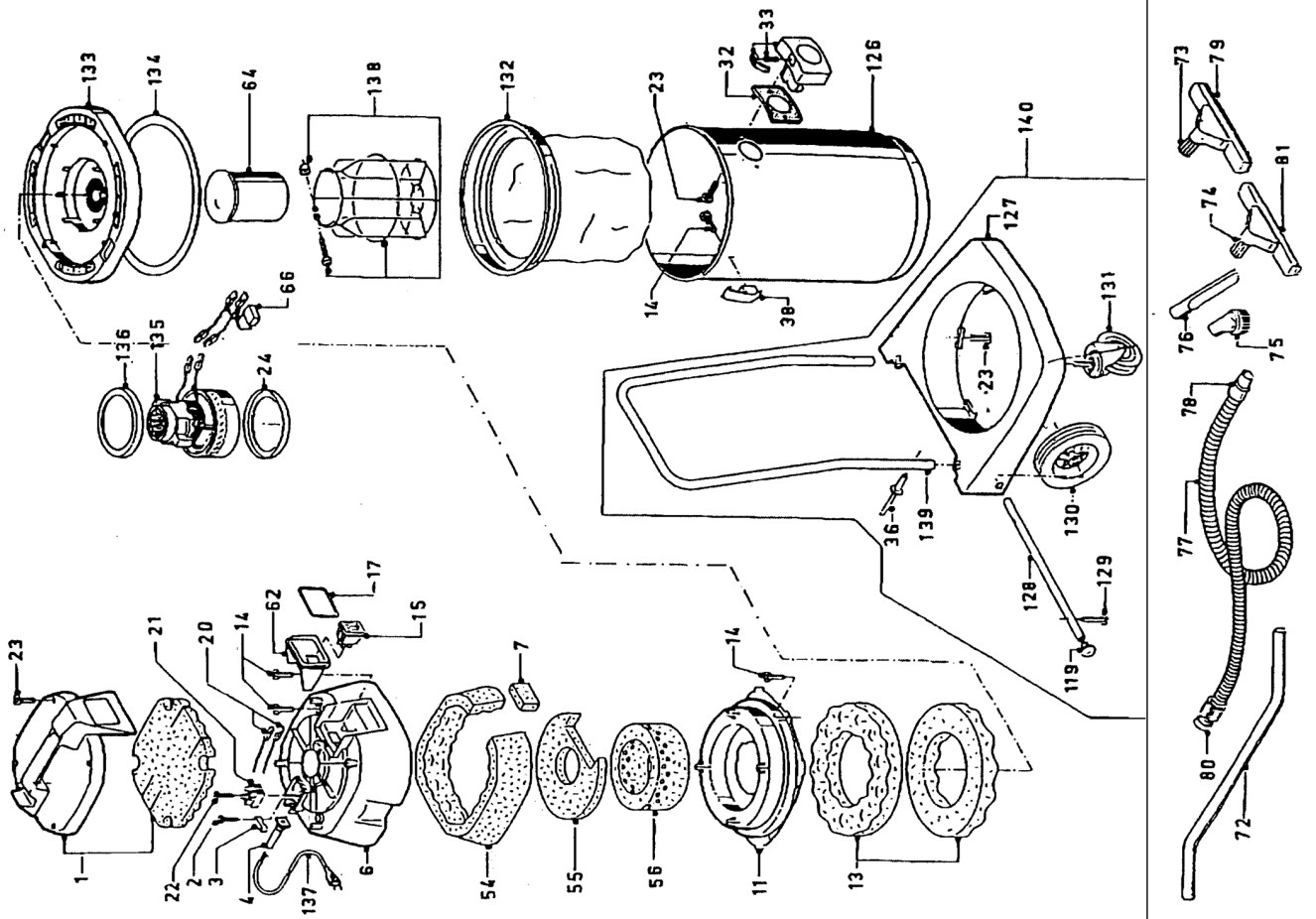
# VAC 100 / VAC 100 / VAC 100 / VAC 100

Pos.	Ref. no.	Betegnelse Description	Bezeichnung Description	VAC 05	VAC 10	VAC 100	VAC 400	VAC 590	VAC 600
34	06380983	BUNDRAMME BOTTOM FRAME	CADRE DE FOND VAC10/100			1			
35	06380984	HJUL, Ø50 WHEEL, Ø50	ROULETTE VAC05/10/100			4			
38	06380525	BESLAG FOR MOTORHOVED FITTINGS FOR MOTOR HEAD	BESCHLAG F/MOTORKOPF FERMOIR			2			
39	06380985	RA BEHOLDER PLAIN CANNISTER	RECIPIENT			1			
40	06380216	POLSTERMUNDSTYKKE Ø36MM UPHOLSTERY NOZZLE, Ø36 MM	POLSTERDUESE F/850D Ø36MM EMBOUCHURE FAUTEUIL DIAM. 30			1			
41	06380220	FUGEMUNDSTYKKE, Ø36 MM JOINT NOZZLE, Ø36 MM	FUGDUESE Ø36MM EMBOUCHURE PLATE DIAM 36			1			
42	06380207	STÅLRØR 1STK. 50CM Ø36 STEEL PIPE, 1 PC. 50 CM, Ø36 MM	STAHL SAUGROHR F. VAC 850D A 50 CM TUBE ACIER DROIT DIAM 36			2			
43	06380482	MANCHET FRA SLANGE TIL SUGERØR, Ø36 MM CUP FROM HOSE TO SUCTION PIPE, Ø36 MM	MANSCHE F/SCHLAUCH Ø36MM SAUGRO- TUBE COURBE AVEC APPEL			1			
44	06380448	STØVSUGERSLANGE Ø36 SUCTION HOSE, Ø36 MM (M)	SAUGSCHLAUCH Ø36 JE METER TUYAU FLEXIBLE AU METRE D			1			
45	06380824	MANCHET FRA SLANGE TIL MASKINE, Ø36 MM CUP FROM HOSE TO MACHINE, Ø36 MM	MANSCHE RACCORD			1			
46	06380742	SUGESLANGE KOMPLET Ø36MM SUCTION HOSE; CPL., Ø36 MM	SCHLAUCH KPL. F. VAC 1010 FLEXIBLE CPL. POUR VAC 10			1			
47	06380218	RUNDBØRSTE 90°, Ø36 MM CIRCULAR BRUSH 90°, Ø36 MM	RUNDBUERSTE 90 GR Ø36-40 MM BROSSE RONDE 90DEGRES DIAAM. 36-40 MM			1			
48	06380986	UNIVERSALMUNDSTYKKE, Ø36 UNIVERSAL SUCTION NOZZLE, Ø36	SUCEUR UNIVERSEL DIA 36			1			
49	06380987	BØRSTE BRUSH	BROSSE			1			
50	06380988	BØRSTE BRUSH	BROSSE			1			
54	06380990	FIREFLEX MOTORHUS BAFFLE SURROUND	MOUSSE INSONORE			1			
55	06380991	FIREFLEX T. MOTOR TOP TOP BAFFLE	MOUSSE INSONORE			1			
56	06380992	FIREFLEX MOTOR FIREFLEX MOTOR	MOUSSE INSONORE			1			
59	06380993	MOTOR RING, A40 MOTOR SUPPORT RING, A40	ANNEAU DE MOTEUR, A40			1			
60	06380410	MOTOR 1000W - 220V MOTOR, VAC100/2000/3000/1050 220-240V	MOTOR 1000-2000-3000-1050 MOTEUR 1000 2000 3000 220 V			1			
60a	06380750	KUL TIL MOTOR BRUSH HOLDER	BÜRSTENHALTER VAC CHARBON VAC			2			
62	06380995	HUS FOR AFBRYDER HOUSING FOR SWITCH	CORPS P INTERRUPTEUR			1			

**VAC 100 / VAC 100 / VAC 100 / VAC 100 / VAC 100**

Pos.	Ref. no.	Betegnelse Description	Bezeichnung Description	VAC 05	VAC 10	VAC 100	VAC 400	VAC 590	VAC 600
63	06380751	SVØMMERKURV SWIMMER BASKET	SCHWIMMERKORB PANIER DE FLOTTEUR POUR			1			
64	06380420	SVØMMEVENTIL FLOAT VALVE	GUMMIBALL 2000/3000 FLOTTEUR 2000 3000 WDI			1			
65	06380748	STOFFFILTER, KPL., VAC 100 FILTER CLOTH, CPL., VAC 100	FILTER, STOFF FILTRE VAC 1010/VAC 100			1			
66	06380997	EL. M/THERMOBESKYT.+ KONDENSATOR EL. W. HEAT PROTECTION + CONDENSATOR	ELEC. A. THERMOPROTECTION +CONDENSATEUR			1			
67	06380994	LEDRØR LINK PIPE	JOINT DE CABLE			1			
68	06380996	GUMMILÆBE, VAC 100 RUBBER LIP , VAC 100	LISTEL SUCEUR VAC 100			2			
69	06380736	VÅDSUGEMUNDSTYKKE, Ø 36 -V340 WET SUCTION TOOL, Ø 36 -V340	WASSERANSAUGDUJSE VAC 1010 EMBOUCHURE ASPIRATION HUME VAC 1000			1			

VAC 400 / VAC 400 / VAC 400 / VAC 400



**VAC 400 / VAC 400 / VAC 400 / VAC 400**

Pos.	Ref. no.	Betegnelse Description	Bezeichnung Description	VAC 05	VAC 10	VAC 100	VAC 400	VAC 590	VAC 600
01	06380971	MOTOR KALOT M. FIREFLEX HANDLE ENCLOSURE WITH BAFFLE	CALOTTE MOTEUR 10/100/400				1		
03	06380516	KABELKLEMME CABLE CLAMP	KABELKLEMME MANCHON BRIDE DE CABLE				1		
04	06380517	KABELAFLASTNING CABLE RELIEF	KABELMANSCHETTE PASSE FIL				1		
06	06380974	MOTOR HUS MOTOR RETAINING MOULDING	CORPS MOTEUR VAC10/100/40				1		
07	06380975	FIREFLEX FIREFLEX	FIREFLEX				1		
11	06380976	MOTOR LUFTSEPARATOR MOTOR MOULDING	DICHTUNG JOINT				1		
119	06380998	PROP PLUG	BOUCHON				2		
126	06380999	RA BEHOLDER PAIN CANNISTER	RECIPIENT				1		
127	06381000	BUNDRAMME BOTTOM FRAME	CADRE DE FOND VAC 400				1		
128	06380693	HJULAKSEL WHEEL AXLE	RADWELLE AXE ROUE VAC 2000 - 3000OOND CAOUTCH.				1		
129	06380698	SKRUE, 5X32 SCREW, 5X32	SCHRAUBE F. RADWELLE VIS POUR ARBRE DE ROUE				2		
13	06380977	MOTOR LUFT FIREFLEX MOTOR BAFFLES	MOUSSE INSONORE				1		
130	06380691	HJUL, WAC 2/3000 WHEEL, WAC 2/3000	RAD F. VAC 2000/3000 , PLASTIK ROUE POUR VAC 2000/3000/. PLASTIQUE				2		
131	06380558	HJUL FOR PLASTRAMME WHEEL, VAV 10	RAD F/KUNSTSTOFFRAHMEN VAC 1000WD ROULETTEE VAC 1000WD E VAC 1000WD				2		
132	06380741	STOFFFILTER VAC 400 FILTER CLOTH, CPL., VAC 400	FILTER KPL. VAC 1200 FILTRE CPL.VAC 1200/V400				1		
133	06381001	MOTOR BUNDFLANGE MOTOR BOTTOM FLANGE	CARTER SUPPORT MOTEURV400				1		
134	06380759	GUMMIPAKNING RUBBER GASKET	GUMMIDICHTUNG JOINT EN CAOUTCHOUC				1		
135	06380740	MOTOR , VAC 1200 220-240V MOTOR, VAC 1200 220-240V	MOTOR 220 V VAC 1200 MOTEUR 220V VAC 1200				1		
135a	06380750	KUL TIL MOTOR BRUSH HOLDER	BÜRSTENHALTER VAC CHARBON VAC				2		
136	06381445	MOTORPAKNING, 1050 MOTOR GASKET, 1050	MOTORDICHTUNG 1050 RONDELLE DE MOTEUR				1		
137	06381410	EL KABEL, 2 X 1.8 M POWER SUPPLY CABLE, 2 X 1.8 M	KABEL PRISE ET CABLE				1		
138	06380760	SVØMMERKURV, VAC 1200 SWIMMER BASKET, VAC 1200	SCHWIMMERKORB VAC 1200 PANIER FLOTTEUR00 00				1		

**VAC 400 / VAC 400 / VAC 400 / VAC 400**

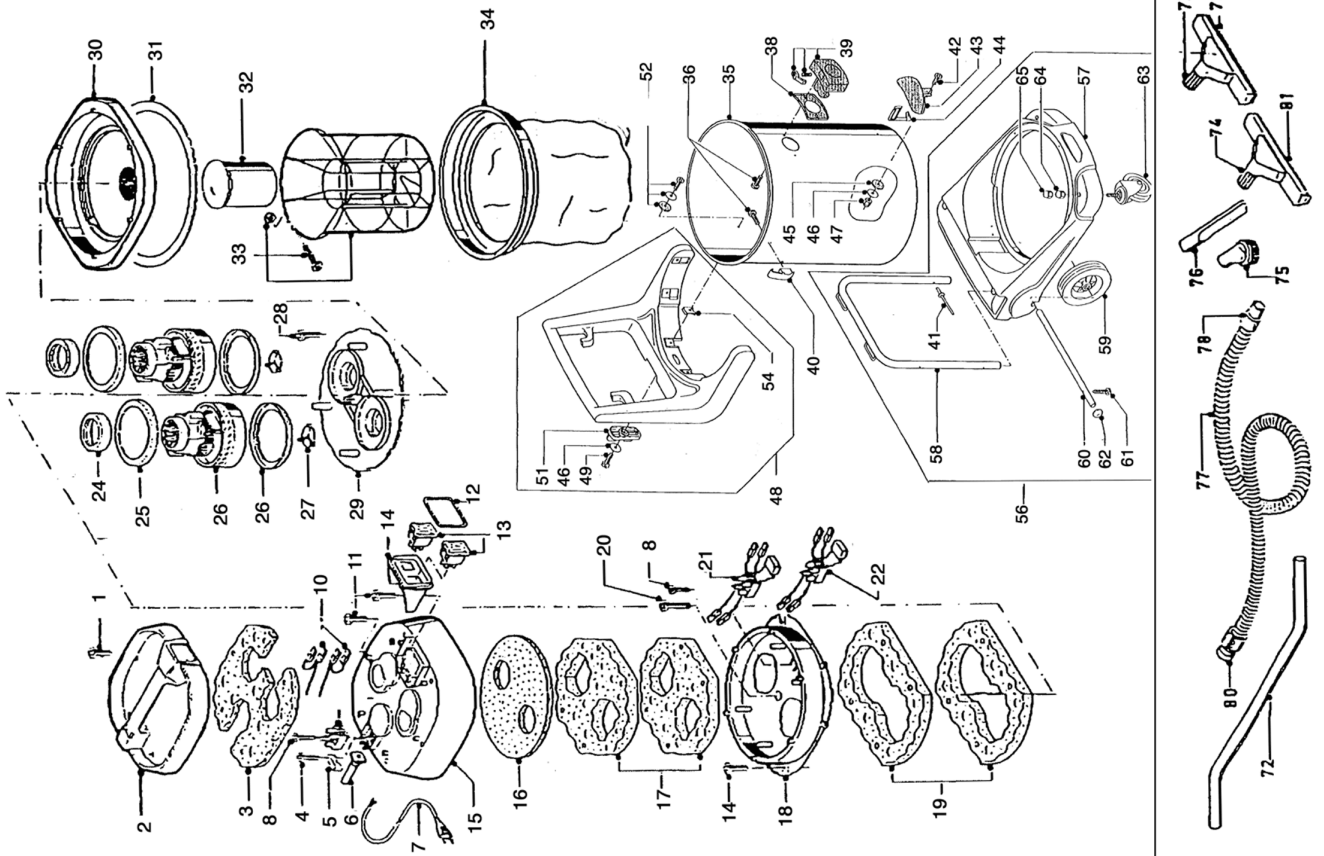
Pos.	Ref. no.	Betegnelse Description	Bezeichnung Description	VAC 05	VAC 10	VAC 100	VAC 400	VAC 590	VAC 600
139	06380766	KØREHANDTAG OPERATION HANDLE	FAHRHANDGRIFF POIGNEE DE POUSSEE VA 590				1		
14	06380524	SKRUE, 8X16,5 SCREW, 8X16,5	SCHRAUBE 4 8X16,5 VIS				14		
140	06381002	KØRERVOGN KPL TROLLEY CPL.	CHARIOT CPL.				1		
15	06380406	AFBRYDER, 2 POLET SWITCH, 2 POLET	SCHALTER KPL. 850-1000-2000-3000 INTERRUPTEUR- 1000 - 1000				1		
17	06380976	MOTOR LUFTESTPARATOR MOTOR MOULDING	DICHTUNG JOINT				1		
20	06380980	LEDNING TIL AFBRYDER CABLE FOR SWITCH	CABLE P INTERRUPTEUR				2		
21	06380514	KLEMRÆKKE TERMINAL STRIP	KLEMMENREIHE BARRETTE DE JONCTION				1		
22	06380515	SKRUE, 9X19 SCREW, 9X19	SCHRAUBE 2 9X19 VIS 2				1		
23	06381425	SKRUE, 4,8X22 SCREW, 4,8X22	SCHRAUBE 4,8 X 22 VIS				10		
24	06380530	GUMMIRING RUBBER RING	GUMMIRING F/MOTOR JOINT MOTEUR				1		
32	06380556	GUMMIPAKNING RUBBER GASKET	GUMMIDICHTUNG F/EINLASS RACCORDENTREE ENTREE				1		
36	06380526	NITTE-RIVET RIVET	NITTE-RIVET RIVET				2		
38	06380525	BESLAG FOR MOTORHOVED FITTINGS FOR MOTOR HEAD	BESCHLAG F/MOTORKOPF FERMOIR				2		
54	06380990	FIREFLEX MOTORHUS BAFFLE SURROUND	MOUSSE INSONORE				1		
55	06380991	FIREFLEX T. MOTOR TOP TOP BAFFLE	MOUSSE INSONORE				1		
56	06380992	FIREFLEX MOTOR FIREFLEX MOTOR	MOUSSE INSONORE				1		
62	06380995	HUS FOR AFBRYDER HOUSING FOR SWITCH	CORPS P INTERRUPTEUR				1		
64	06380420	SVØMMEVENTIL FLOAT VALVE	GUMMIBALL 2000/3000 FLOTTEUR 2000 3000 WDI				1		
66	06380997	EL. MTERMOBESKYT.+ KONDENSATOR EL. W. HEAT PROTECTION + CONDENSATOR	ELEC. A. TERMOPROTECTION +CONDENSATEUR				1		
72	06380208	STALRØR S-FORM 2STK.Ø40 STEEL PIPE S-SHAPED, 2 PCS. , Ø40 MM	STAHL SAUGROHR F.VAC 1000 WDI TUBE ACIER EN S DIAM 40				1		
73	06380212	MUNDSTYKKE TIL TØRT Ø40 DRY SUCTION NOZZLE, FLOORS , Ø40 MM	DUESE GLATT BODEN F/1000 Ø40MM EMBOUCHURE SOL LISSE DIAMØ DIAM. 40				1		
74	06380213	MUNDSTYKKE TIL VADT Ø40 WATER SUCTION NOZZLE, FLOORS , Ø40 MM	DUESE NASSAUGER BODEN F/1000 Ø40MM EMBOUCHURE ASPI.HUMIDE DI. 40				1		



**VAC 400 / VAC 400 / VAC 400 / VAC 400 / VAC 400**

Pos.	Ref. no.	Betegnelse Description	Bezeichnung Description	VAC 05	VAC 10	VAC 100	VAC 400	VAC 590	VAC 600
75	06380712	RUNDBØRSTE 90° , Ø40 MM CIRCULAR BRUSH 90° , Ø40 MM	RUNDBUERSTE BROSSE RONDE 90 DEGRES D.				1		
76	06380221	FUGEMUNDSTYKKE , Ø40 MM JOINT NOZZLE , Ø40 MM	FUGDUESE EMBOUCHURE PLATE DIAM 40				1		
77	06380202	SUGESLANGE KOMPLET Ø40 SUCTION HOSE CPL. , Ø40 MM	SAUGSCHLAUCH KPL. F/1000 Ø40 MM TUYAU FLEXIBLE DIAM 40				1		
78	06380434	MANCHET FRA SLANGE CUP FROM HOSE TO SUCTION PIPE , Ø40 MM	MANCHETTE F/SCHLAUCH Ø40MM SAUGRO. MANCHON TUYAU P.TUBE D'AS				1		
79	06380427	BØRSTE BRUSH	BUERSTEN F/STAUBSAUGDUESE 38-0212 BROSSE				1		
80	06380433	MANCHET FRA SLANGE TIL MASKINE , Ø40 MM CUP FROM HOSE TO MACHINE , Ø40 MM	MANCHETTE F/SCHLAUCH Ø40 GERAET MANCHON TUY.P.BOUCHE D'AS				1		
81	06380428	GUMMILÆBE RUBBER LIP	GUMMILIPPE F/WASSERSAUD. 38-0213 RACLETTTE CAOUTCHOUC 320 X				2		

VAC 400 / VAC 590 / VAC 400 / VAC 400



**VAC 400 / VAC 590 / VAC 400 / VAC 400**

Pos.	Ref. no.	Betegnelse Description	Bezeichnung Description	VAC 05	VAC 10	VAC 100	VAC 400	VAC 590	VAC 600
01	06381425	SKRUE, 4,8X22 SCREW, 4,8X22	SCHRAUBE 4,8 X 22 VIS					4	
02	06381032	MOTOR KALOT MOTOR TOP	CALOTTE MOTEUR VAC590/600					1	
03	06381033	FIREFLEX T MOTORKALOT HANDLE ENCLOSURE WITH BAFFLE	FIREFLEX POUR CALOTTE DE MOTEUR					1	
04	06070356	SKRUE, M3X16 SCREW, M3X16	SCHRAUBE P/K, GALV. VIS GALVANISEE					2	
05	06380516	KABELKLEMME CABLE CLAMP	KABELKLEMME MANCHON BRIDE DE CABLE					1	
06	06380517	KABELAFLASTNING CABLE RELIEF	KABELMANSCHETTE PASSE FIL					1	
07	06381410	EL KABEL, 2 X 1,8 M POWER SUPPLY CABLE, 2 X 1,8 M	KABEL PRISE ET CABLE					1	
08	06380515	SKRUE, 9X19 SCREW, 9X19	SCHRAUBE 2 9X19 VIS 2					3	
09	06380514	KLEMRÆKKE TERMINAL STRIP	KLEMMENREIHE BARRETTE DE JONCTION					1	
10	06381034	LEDNING TIL AFBRYDER, L500 CABLE FOR SWITCH, L500	CABLE P INTERRUPTEUR, L500					2	
11	06380524	SKRUE, 8X16,5 SCREW, 8X16,5	SCHRAUBE 4 8X16,5 VIS					10	
12	06380976	MOTOR LUF TSEPARATOR MOTOR MOULDING	DICHTUNG JOINT					1	
13	06380406	AFBRYDER, 2 POLET SWITCH, 2 POLET	SCHALTER KPL. 850-1000-2000-3000 INTERRUPTEUR- 1000 - 1000					1	
14	06380979	HUS FOR AFBRYDER HOUSING FOR SWITCH	CORPS P INTERRUPTEUR					1	
15	06381075	MOTOR HUS MOTOR RETAINING MOULDING	CORPS POUR MOTEUR VAC590					1	
16	06381076	FIREFLEX T. MOTOR TOP TOP BAFFLE	FIREFLEX POUR CALOTTE DE MOTEUR					1	
17	06381077	FIREFLEX MOTOR FIREFLEX MOTOR	FIREFLEX MOTEUR					2	
18	06381078	MOTOR LUF TSEPARATOR MOTOR MOULDING	SEPARATEUR D"AIR VAC590					1	
19	06381079	MOTOR LUF T FIREFLEX MOTOR BAFFLES	MOTEUR D"AIR FIREFLEX					2	
20	06380698	SKRUE, 5X32 SCREW, 5X32	SCHRAUBE F. RADWELLE VIS POUR ARBRE DE ROUE					1	
21	06381041	HVID ELSATS M KLEMRÆKKE, 22 ÅF WHITE WIRE SET WITH TERMINAL, 22 µF	ELEC. AVEC BARETTE DE JONCTION, BLANC, 22 ÅF					1	
22	06381043	RØD ELSATS M KLEMRÆKKE, 22 ÅF RED WIRE SET WITH TERMINAL STRIP, 22 µF	ELEC. AVEC BARETTE DE JONCTION, ROUGE, 22 ÅF					1	

**VAC 400 / VAC 590 / VAC 400 / VAC 400**

Pos.	Ref. no.	Betegnelse Description	Bezeichnung Description	VAC 05	VAC 10	VAC 100	VAC 400	VAC 590	VAC 600
24	06381044	MOTOR RING MOTOR SUPPORT RING	ANNEAU DE MOTEUR					3	
25	06380530	GUMMIRING RUBBER RING	GUMMIRING F/MOTOR JOINT MOTEUR					6	
26	06380410	MOTOR 1000W - 220V MOTOR, VAC:100/2000/3000/1050 220-240V	MOTOR 1000-2000-3000-1050 MOTEUR 1000 1050 2000 3000 220 V					2	
26A	06380750	KUL TIL MOTOR BRUSH HOLDER	BÜRSTENHALTER VAC CHARBON VAC					4	
27	06380490	VENTILSIKRING VALV SECURING	VENTIL 3000/2000 WDI CLAPETS ASPIRATEUR					3	
28	06380513	SKRUE, 5X13 SCREW, 5X13	SCHRAUBE 4 8X13 VIS 4					4	
29	06381080	MOTORFLANGE MOTOR FLANGE	BRIDE DE MOTEUR VAC 590					1	
30	06381046	MOTOR BUNDFLANGE MOTOR BOTTOM FLANGE	PLAQUE SUPPORT V590/600					1	
31	06380507	GUMMIPAKNING RUBBER GASKET	GUMMIDICHTUNG VAC 2000/3000 JOINT CAOUTCHOUC					1	
32	06380420	SVØMMEVENTIL FLOAT VALVE	GUMMIBALL 2000/3000 FLOTTEUR 2000 3000 WDI					1	
33	06381083	SUGEPORT SUCTION PORT	COLLECTEUR DE TUYAU					1	
34	06380234	STOFFILTER VAC 590/600 FILTER CLOTH, CPL., VAC 590/600	STOFFILTER KPL. F/2000/3000 FILTRE TISSU VAC 2000/3003000 WD					1	
35	06381081	BEHOLDER TANK	RESERVOIR					1	
36	06380526	NITTE-RIVET RIVET	NITTE-RIVET RIVET					2	
38	06380556	GUMMIPAKNING RUBBER GASKET	GUMMIDICHTUNG F/EINLASS RACCORDENTREE ENTREE					1	
39	06381083	SUGEPORT SUCTION PORT	COLLECTEUR DE TUYAU					1	
40	06380525	BESLAG FOR MOTORHOVED FITTINGS FOR MOTOR HEAD	BESCHLAG F/MOTORKOPF FERMOIR					2	
41	06380526	NITTE-RIVET RIVET	NITTE-RIVET RIVET					6	
42	06070344	SKRUE, 5X12 SCREW, 5X12	SCHRAUBE, P/K, GALV. VIS TIL GALV.					1	
43	06381055	KAPPE FOR LÅSEPAL CAP	PEDALIER DE CUVE V590/600					2	
44	06381056	LÅSEPAL LOCKING PAWL	CLIQUET D'ARRET					1	
45	06381057	TÆTNINGSSKIVE SEALING RING	RONDELLE					1	

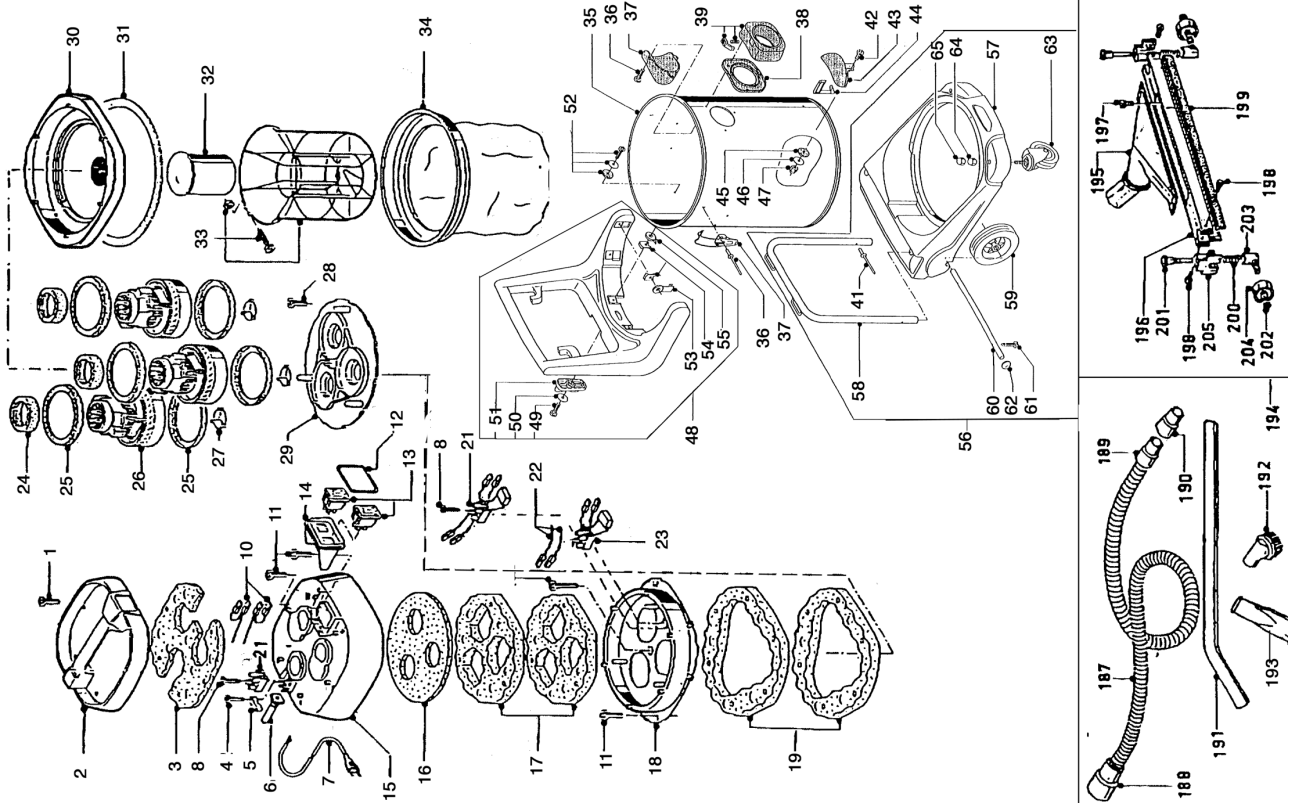
## VAC 400 / VAC 590 / VAC 400 / VAC 400

Pos.	Ref. no.	Betegnelse Description	Bezeichnung Description	VAC 05	VAC 10	VAC 100	VAC 400	VAC 590	VAC 600
46	06380534	PAKNING, 5X40 GASKET, 5X40	SCHRAUBE 5X40 VIS					1	
47	06080124	MØTRIK, M5 NUT, M5	SELBSTSCHLIESSENDE MUTTER ECROU INDESSERABLE GALV.					1	
48	06381059	KØREHÅNDTAG OPERATION HANDLE	POIGNEE VAC 590/VAC 600					1	
49	06380524	SKRUE, 8X16,5 SCREW, 8X16,5	SCHRAUBE 4 8X16,5 VIS					1	
51	06381060	HANDTAG HANDLE	POIGNÉE					1	
52	06381061	SKRUE SÆT SCREW, KIT	KIT DE VIS					6	
54	06381063	FIKSERINGSSKIVER ADJUSTMENT WASHER	RONDELLE DE FIXATION					6	
56	06381065	VOGN KPL WAGGON CPL.	CADRE D/FOND COMPLET V590					1	
57	06381066	VOGNRAIAME WAGGON FRAME	CADRE SUPPORT CUVE V590/					1	
58	06381067	VOGNBØJLE WAGGON HANDLE	ARCEAU VAC 600					1	
59	06380691	HJUL, WAC 2/3000 WHEEL, WAC 2/3000	RAD F. VAC 2000/3000, PLASTIK ROUE POUR VAC 2000/3000/. PLASTIQUE					2	
60	06380693	HJULAKSEL WHEEL AXLE	RADWELLE AXE ROUE VAC 2000 - 3000OOND CAOUTCH.					1	
61	06380698	SKRUE, 5X32 SCREW, 5X32	SCHRAUBE F. RADWELLE VIS POUR ARBRE DE ROUE					2	
62	06380998	PROP PLUG	BOUCHON					2	
63	06380692	DREJHJUL TURNING WHEEL	DREHRAD ROUE TOURNANTE VAC 2000/3OND CAOUTCH.					2	
64	06380696	TOPMØTRIK, M10 TOPNUT, M10	ZYLINDERMUTTER F. DREHRAD ECROU POUR ROUERNANTE RNANTE					2	
65	06381068	HÆTTE FOR MØTRIK CAP FOR NUT	CAPUCHON POUR ECROU					2	
72	06380208	STÅLRØR S-FORM 2STK, Ø40 STEEL PIPE S-SHAPED, 2 PCS. , Ø40 MM	STAHL SAUGROHR F. VAC 1000 WDI TUBE ACIER EN S DIAM 40					2	
73	06380212	MUNDSTYKKE TIL TØRT Ø40 DRY SUCTION NOZZLE, FLOORS , Ø40 MM	DUESE GLATT BODEN F/1000 Ø40MM EMBOUCHURE SOL LISSE DIAMØ DIAM. 40					1	
74	06380213	MUNDSTYKKE TIL VÅDT Ø40 WATER SUCTION NOZZLE, FLOORS , Ø40 MM	DUESE NASSAUGER BODEN F/1000 Ø40MM EMBOUCHURE ASPI.HUMIDE DI. 40					1	
75	06380712	RUNDBØRSTE 90° , Ø40 MM CIRCULAR BRUSH 90° , Ø40 MM	RUNDBUERSTE BROSSE RONDE 90 DEGRES D.					1	
76	06380221	FUGEMUNDSTYKKE , Ø40 MM JOINT NOZZLE , Ø40 MM	FUGDUESE Ø40MM EMBOUCHURE PLATE DIAM 40					1	

**VAC 400 / VAC 590 / VAC 400 / VAC 400**

Pos.	Ref. no.	Betegnelse Description	Bezeichnung Description	VAC 05	VAC 10	VAC 100	VAC 400	VAC 590	VAC 600
77	06380202	SUGESLANGE KOMPLET Ø40 SUCTION HOSE CPL. , Ø40 MM	SAUGSCHLAUCH KPL. F/1000 Ø40 MM TUYAU FLEXIBLE DIAM 40					1	
78	06380434	MANCHET FRA SLANGE CUP FROM HOSE TO SUCTION PIPE , Ø40 MM	TIL SUGERØR Ø40 MM MANCHON TUYAU P.TUBE D'AS					1	
79	06380427	BØRSTE BRUSH	BUERSTEN F/STAUBSAUGDUJUESE 38-0212 BROSSE					1	
80	06380433	MANCHET FRA SLANGE TIL MASKINE , Ø40 MM CUP FROM HOSE TO MACHINE , Ø40 MM	MANSCHE F/SCHLAUCH Ø40 GERAET MANCHON TUY.P.BOUCHE D'AS					1	
81	06380428	GUMMILÆBE RUBBER LIP	GUMMILIPPE F/WASSERSAUD. 38-0213 RACLETTÉ CAOUTCHOUC 320 X					2	

VAC 600 / VAC 600 / VAC 600 / VAC 600



**VAC 600 / VAC 600 / VAC 600 / VAC 600**

Pos.	Ref. no.	Betegnelse Description	Bezeichnung Description	VAC 05	VAC 10	VAC 100	VAC 400	VAC 590	VAC 600
01	06381425	SKRUE, 4,8X22 SCREW, 4,8X22	SKRAUBE 4.8 X 22 VIS						4
02	06381032	MOTOR KALOT MOTOR TOP	CALOTTE MOTEUR VAC590/600						1
03	06381033	FIREFLEX T MOTOR KALOT HANDLE ENCLOSURE WITH BAFFLE	FIREFLEX POUR CALOTTE DE MOTEUR						1
05	06380516	KABELKLEMME CABLE CLAMP	KABELKLEMME MANCHON BRIDE DE CABLE						1
06	06380517	KABELAFLASTNING CABLE RELIEF	KABELMANSCHETTE PASSE FIL						1
07	06380972	EL KABEL, 4 X 1.5 NO PLUG 8 M POWER SUPPLY CABLE, 4 X 1.5 NO PLUG 8 M	CABLE ELECTRIQUE, 4 X 1.5 NO PLUG 8 M						1
07	06381049	EL KABEL, 3 X 1.5 8 M POWER SUPPLY CABLE, 3 X 1.5 8 M	CABLE ELECTRIQUE, 3 X 1.5 8 M						1
08	06380515	SKRUE, 9X19 SCREW, 9X19	SKRAUBE 2 9X19 VIS 2						3
09	06380514	KLEMRÆKKE TERMINAL STRIP	KLEMMENREIHE BARRETTE DE JONCTION						1
10	06381074	GUMMILÆBE RUBBER LIP	LISTEL SUCEUR						2
11	06380524	SKRUE, 8X16,5 SCREW, 8X16,5	SKRAUBE 4 8X16,5 VIS						10
12	06380976	MOTOR LUF TSEPARATOR MOTOR MOULDING	DICHTUNG JOINT						1
13	06380406	AFBRYDER, 2 POLET SWITCH, 2 POLET	SCHALTER KPL. 850-1000-2000-3000 INTERRUPTEUR- 1000 - 1000						1
14	06380979	HUS FOR AFBRYDER HOUSING FOR SWITCH	CORPS P INTERRUPTEUR						1
15	06381036	MOTOR HUS MOTOR RETAINING MOULDING	CORPS POUR MOTEUR VAC 600						1
16	06381037	FIREFLEX T. MOTOR TOP TOP BAFFLE	FIREFLEX POUR CALOTTE DE MOTEUR						1
17	06381038	FIREFLEX MOTOR FIREFLEX MOTOR	FIREFLEX MOTEUR						2
18	06381039	MOTOR LUF TSEPARATOR MOTOR MOULDING	PIECE INTERMEDIAI.VAC600						1
187	06380205	SUGESLANGE KOMPLET Ø90 SUCTION HOSE, CPL., Ø90 MM	SAUGSCHLAUCH KPL. F/3000 Ø90 MM TUYAU FLEXIBLE DIAM 90						1
188	06381069	MANCHET, 90 TO 50 CUP, 90 TO 50	MANCHON TUY.P. BOUCH.D'ASP						1
189	06380436	MANCHET FRA SLANGE TIL CUP FROM HOSE TO SUCTION PIPE, Ø50 MM	MANSCHETTE F/SCHLAUCH Ø50MM KUNSTST MANCHON TUYAU P.TUBE D'AS						1
19	06381040	MOTOR LUF T FIREFLEX MOTOR BAFFLES	MOTEUR D'AIR FIREFLEX						2



## VAC 600 / VAC 600 / VAC 600 / VAC 600

Pos.	Ref. no.	Betegnelse Description	Bezeichnung Description	VAC 05	VAC 10	VAC 100	VAC 400	VAC 590	VAC 600
190	06380223	KOBLING , Ø50-40 MM COUPLING , Ø50-40 MM	KUPPLUNG Ø40-50 ZUBEHOER 2000/3000 MANCHON DIAM 40/50						1
191	06380209	STÅLRØR, KURVET , Ø50 MM STEEL PIPE, CURVE-SHAPED, Ø50 MM	STAHLROHR GEBOGEN F/2000/3000 Ø50MM TUBE ACIER COUDE DIAM 50						1
192	06380219	RUNDBØRSTE 90° , Ø50 MM CIRCULAR BRUSH 90° , Ø50 MM	RUNDBUERSTE 90 GR Ø50MM BROSSE RONDE 90 DEGRES DIAM. 50						1
193	06380224	FUGEMUNDSTYKKE Ø50 MM JOINT NOZZLE, Ø50 MM	FUGDUESE Ø50MM EMBOUCHURE PLATE DIAM 50						1
194	06380225	MUNDSTYKKE VAD/TØR 50 CM WET/DRY NOZZLE 50 CM , Ø50 MM	BODENDUESE NASS/TROCKEN 0,5M BREIT EMBOU.ASPIR.SECHE ET HUMI						1
195	06381070	TOP MUNDSTYKKE TOP MOUTHPIECE	PARTIE SUP.D/SUCEUR380225						1
196	06381071	PROFILER PROFILE	PROFIL						1
197	06070340	SKRUE, 4X10 SCREW, 4X10	SCHRAUBE, P/K, GALV. VIS						4
198	06070340	SKRUE, 4X10 SCREW, 4X10	SCHRAUBE, P/K, GALV. VIS						4
199	06381074	GUMMILÆBE RUBBER LIP	LISTEL SUCEUR						2
200	06381479	FJEDER SPRING	FEDER RESSORT						2
201	06381475	JUSTERSKRUE ADJUSTING SCREW	EINSTELLSCHRAUBE VIS DE REGLAGE						2
202	06380496	LÅSERING LOCKING RING	SCHLIESSRING F/RAD STCK. 38-0225 CLIPS						2
203	06380430	HJULØPHÆNG TIL VADS M.ST WHEEL BEARING	RADAUFHÆNGUNG F/WAS.SAUGD. 38-0225 PIVOT PLASTICDE DE						2
204	06380495	HJUL TIL VADSUG MUNDSTK WHEEL FOR WET EXHAUSTER	RAD F/WASSERSAUGDUESE 38-0225 ROULETTE AV SUCEURDE DE						2
205	06381477	NYLONHUS F HJUL NYLONHOUSE FOR WHEEL	NYLONGEHAEUSE F/RAD SUPPORT ROUE						2
21	06381041	HVID ELSATS M KLEMRÆKKE, 22 ÅF WHITE WIRE SET WITH TERMINAL, 22 µF	ELEC. AVEC BARETTE DE JONCTION, BLANC, 22 ÅF						1
22	06381042	EL. INKL OVEROPHEDN.BESKYT. WIRE SET W. OVERHEAT PROTECTION	ELEC. AVEC PROT. DE SURCHAUFFE, NOIR						1
23	06381043	RØD ELSATS M KLEMRÆKKE, 22 ÅF RED WIRE SET WITH TERMINAL STRIP, 22 µF	ELEC. AVEC BARETTE DE JONCTION, ROUGE, 22 ÅF						1
24	06381044	MOTOR RING MOTOR SUPPORT RING	ANNEAU DE MOTEUR						3
25	06380530	GUMMIRING RUBBER RING	GUMMIRING F/MOTOR JOINT MOTEUR						6
26	06380410	MOTOR 1000W - 220V MOTOR, VAC/100/2000/3000/1050 220-240V	MOTOR 1000-2000-3000-1050 MOTEUR 1000 1050 2000 3000 220 V						3

**VAC 600 / VAC 600 / VAC 600 / VAC 600**

Pos.	Ref. no.	Betegnelse Description	Bezeichnung Description	VAC 05	VAC 10	VAC 100	VAC 400	VAC 590	VAC 600
27	06380490	VENTILSIKRING VALV SECURING	VENTIL 3000/2000 WDI CLAPETS ASPIRATEUR						3
28	06380513	SKRUE, 5X13 SCREW, 5X13	SCHRAUBE 4 8X13 VIS 4						4
29	06381045	MOTORFLANGE MOTOR FLANGE	BRIDE MOTEUR VAC 600						1
30	06381046	MOTOR BUNDFLANGE MOTOR BOTTOM FLANGE	PLAQUE SUPPORT V590/600						1
31	06380507	GUMMIPAKNING RUBBER GASKET	GUMMIDICHTUNG VAC 2000/3000 JOINT CAOUTCHOUC						1
32	06380420	SVØMMEVENTIL FLOAT VALVE	GUMMIBALL 2000/3000 FLOTTEUR 2000 3000 WDI						1
33	06381047	SVØMMERKURV SWIMMER BASKET	PANIER DE FLOTTEUR						1
34	06380234	STOFFFILTER VAC 590/600 FILTER CLOTH, CPL., VAC 590/600	STOFFFILTER KPL. F/2000/3000 FILTRE TISSU VAC 2000/3003000 WD						1
35	06381048	BEHOLDER TANK	RESERVOIR						1
36	06381425	SKRUE, 4,8X22 SCREW, 4,8X22	SCHRAUBE 4,8 X 22 VIS						2
37	06381050	VINKELSTUDS ANGLE SOCKET	RACCORD EQUERRE						1
38	06381051	GUMMIPAKNING RUBBER GASKET	JOINT EN CAOUTCHOUC						1
39	06381052	SUGEPORT SUCTION PORT	SORTIE CUVE VAC 600						1
40	06381053	LÅSE CLIPS LOCK	CLIQUET D'ARRET						2
41	06380526	NITTE-RIVET RIVET	NITTE-RIVET RIVET						6
42	06070344	SKRUE, 5X12 SCREW, 5X12	SCHRAUBE, P/K, GALV. VIS TIL GALV.						1
43	06381055	KAPPE FOR LÅSEPAL CAP	PEDALIER DE CUVE V590/600						2
44	06381056	LÅSEPAL LOCKING PAWL	CLIQUET D'ARRET						1
45	06381057	TÆTNINGSSKIVE SEALING RING	RONDELLE						1
46	06380534	PAKNING, 5X40 GASKET, 5X40	SCHRAUBE 5X40 VIS						1
47	06080124	MØTRIK, M5 NUT, M5	SELBSTSCHLIESSENDE MUTTER ECROU INDESSERABLE GALV.						1
48	06381059	KØREHANDTAG OPERATION HANDLE	POIGNEE VAC 590/VAC 600						1

**VAC 600 / VAC 600 / VAC 600 / VAC 600**

Pos.	Ref. no.	Betegnelse Description	Bezeichnung Description	VAC 05	VAC 10	VAC 100	VAC 400	VAC 590	VAC 600
49	06380524	SKRUE, 8X16,5 SCREW, 8X16,5	SCHRAUBE 4 8X16,5 VIS						1
50	06380534	PAKNING, 5X40 GASKET, 5X40	SCHRAUBE 5X40 VIS						1
51	06381060	HANDTAG HANDLE	POIGNÉE						1
52	06381061	SKRUE SÆT SCREW, KIT	KIT DE VIS						6
53	06381062	AFSTANDSSTYKKE DISTANCE PIECE	ENTRETOISE						4
54	06381063	FIKSERINGSSKIVER ADJUSTMENT WASHER	RONDELLE DE FIXATION						6
55	06381064	AFSTANDSSTYKKE DISTANCE PIECE	ENTRETOISE						2
56	06381065	VOGN KPL. WAGGON CPL.	CADRE D/FOND COMPLET V590						1
57	06381066	VOGNRAIEME WAGGON FRAME	CADRE SUPPORT CUVE V590/						1
58	06381067	VOGNBØJLE WAGGON HANDLE	ARCEAU VAC 600						1
59	06380691	HJUL, WAC 2/3000 WHEEL, WAC 2/3000	RAD F. VAC 2000/3000, PLASTIK ROUE POUR VAC 2000/3000/. PLASTIQUE						2
60	06380693	HJULAKSEL WHEEL AXLE	RADWELLE AXE ROUE VAC 2000 - 3000OOND CAOUTCH.						1
61	06380698	SKRUE, 5X32 SCREW, 5X32	SCHRAUBE F. RADWELLE VIS POUR ARBRE DE ROUE						2
62	06380998	PROP PLUG	BOUCHON						2
63	06380692	DREJHJUL TURNING WHEEL	DREHRAD ROUE TOURNANTE VAC 2000/3000 CAOUTCH.						2
64	06380696	TOPMØTRIK, M10 TOPNUT, M10	ZYLINDERMÜTTER F. DREHRAD ECROU POUR ROUERNANTE RNANTE						2
65	06381068	HÆTTE FOR MØTRIK CAP FOR NUT	CAPUCHON POUR ECROU						2