

SQ 490-31, SQ 690-31

Model:
SQ 690-31



Stykliste Dansk

24-06-2011

Indholdsfortegnelse

SQ 490-31, SQ 690-31

Cabinet	3
Filter	5
MOTOR	7
SLANGER	9
RAMME	11
Tilbehør	13

Cabinet

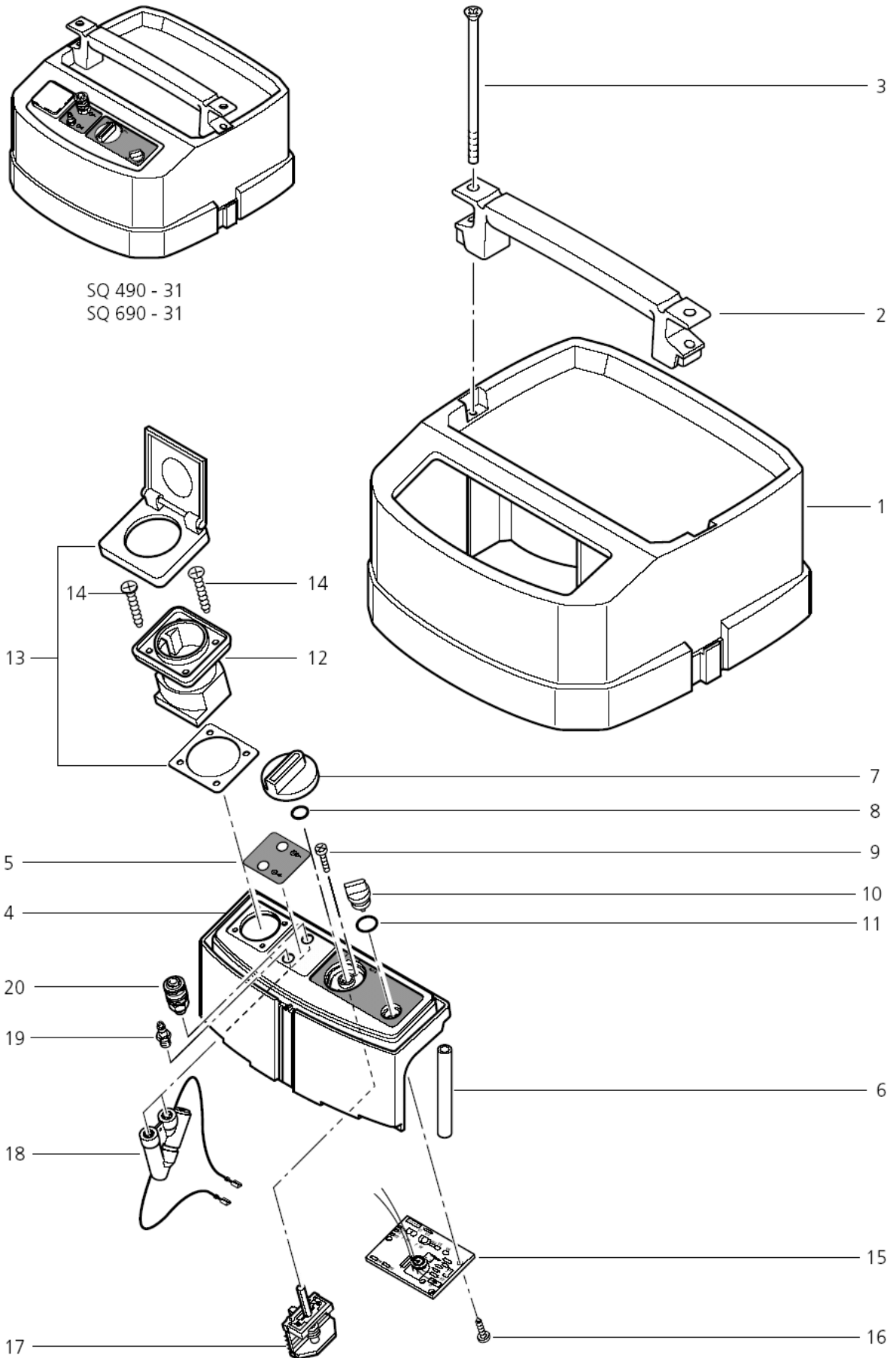
SQ 490-31, SQ 690-31

24-06-2011

StyMiste ID
SQ4903102

3

SQ490-31
SQ690-31



Cabinet

SQ 490-31, SQ 690-31

24-06-2011

StyMiste ID
SQ4903102

4

Pos	Vare nr.	Ant	Beskrivelse	EAN
1	44172	1	DÆKSEL SQ	4005337441
2	42840	1	HÅNDTAG	4005337428
3	11257	1	SKRUE M6X90	4005337112
4	65387	1	SWITCH BOX	4005337653
5	60452	1	LABEL	4005337604
6	46247	1	BUSH	4005337462
7	243611	1	DREJEKNAP	VERSION 020999 4005337017
8	9868	1	O-RING 10.0X2.5	4005337098
9	18274	1	SKRUE M4X12	4005337182
10	43694	1	DREJEKNAP SQ 450-21	4005337436
11	107400576	1	O-RING 21X1.5	7319519672
12	46296	1	STIKDÅSE F. AERO 840A	*EU* 4005337462
12	48278	1	SOCKET GB	*GB,230V* 4005337482
12	48287	1	Plug socket 2P+PE -CH	*CH* 4005337482
12	49267	1	PLUG SOCKET *USA/CDN*	*US*CA* 4005337492
13	63851	1	DÆKSEL SQ-AERO 840A	VERSION 020999 4005337638
14	11254	1	SKRUE KA3,5X10	4005337112
14	46248	1	SKRUE KA3,5X18	VERSION 020999 4005337462
15	61664	1	AUTOMATIC ON/OFF SYSTEM 220-240V	4005337616
15	64939	1	MOTION LEVEL 100/120V 100	*US*CA* 4005337649
16	4036	1	SKRUE 2,9X9,5	4005337040
17	48728	1	AFBRYDER SQ450-21,450-31	4005337487
18	60392	1	FLOW SENSOR	4005337603
19	14809	1	OVERGANG	4005337148
19	25437	1	NIPPLE G1/4-R1/4	*US*CA* 4005337254
20	14808	1	NIPPEL	4005337148
20	25437	1	NIPPLE G1/4-R1/4	*US*CA* 4005337254

Filter

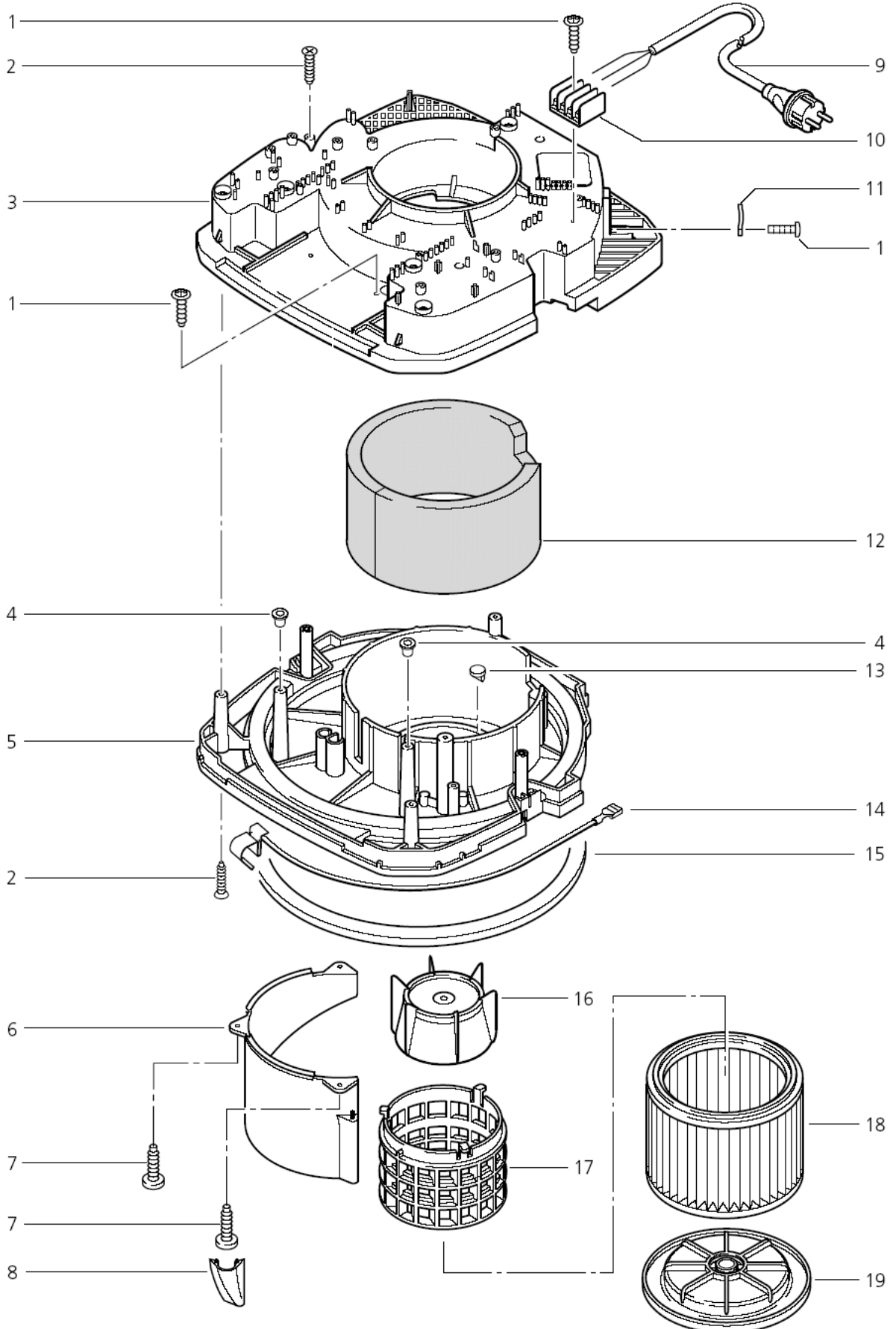
SQ 490-31, SQ 690-31

24-06-2011

StyMiste ID
SQ4903104

5

SQ490-31
SQ690-31



Filter

SQ 490-31, SQ 690-31

24-06-2011

StyMiste ID
SQ4903104

6

Pos	Vare nr.	Ant	Beskrivelse	EAN
1	11256	1	SKRUE KA3,5X18	4005337112
2	11253	1	SKRUE KA5,0X20 AERO	4005337112
3	44240	1	COVER PLATE	4005337442
4	48414	1	PLUG 5.5X8X0.8X6.5	4005337484
5	44239	1	UNDERKONSOL	4005337442
6	45692	1	AFDÆKNINGSSKÆRM	4005337456
7	11565	1	SKRUE PT5X18	4005337115
8	47025	1	AFDÆKNING	4005337470
9	14885	1	LEDNING 3G1,5X7,5	*EU* 4005337148
9	15274	1	CABLE H07RN-F 3G1,5X 7,5 BS 1363A/AEH	*GB,230V* 4005337152
9	27027	1	CABLE SJTW-A AWG14/3X 6,7	*US*CA* 4005337270
9	60442	1	WIRE NET H07RN-F 3G1.0X 7.5 SEV 12 /AEH	*CH* 4005337604
10	48421	1	KLEMRÆKKE	*US*CA* 4005337484
11	5697	1	LASKE	4005337056
12	47014	1	STØJDÆMPNINGSFILTER	4005337470
13	46640	1	SPÆNDESKIVE 16,1X2	4005337466
14	26792	1	LEDNING	4005337267
15	11222	1	PAKNING F. BEHOLDER	4005337112
16	11835	1	FLYDER	4005337118
17	46418	1	FILTERKURV	4005337464
18	11753	1	FILTER AERO/SQ 550/SQ 650	SQ 690-31 4005337117
18	29747	1	FILTER F SQ 450	SQ 490-31 4005337297
19	11762	1	LÅSEPLADE F.FILTER	SQ 690-31 4005337117
19	29753	1	FILTER CLAMPS	4005337297

MOTOR


SQ 490-31, SQ 690-31

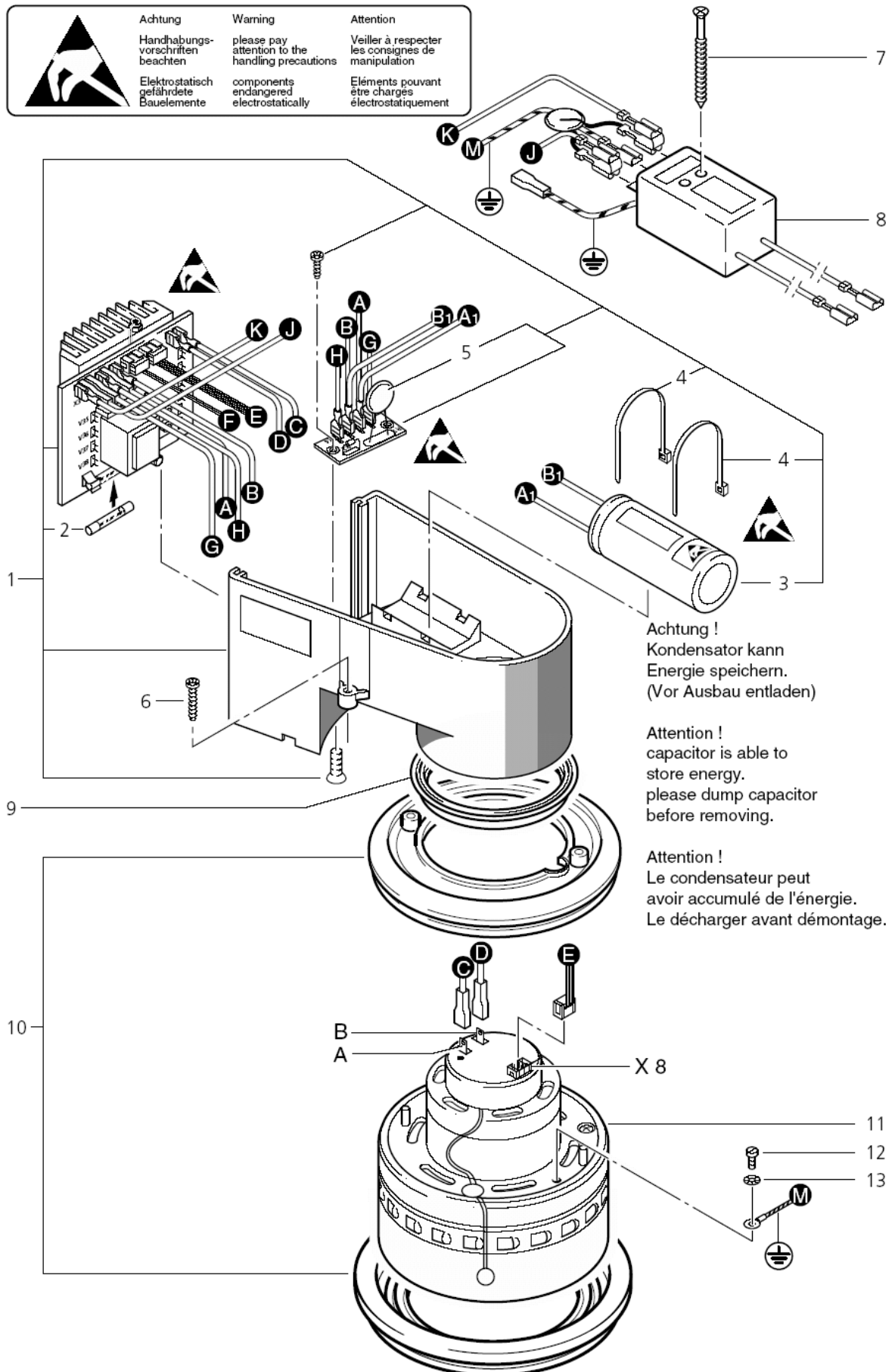
24-06-2011

StyMiste ID
SQ4903106

7

SQ490-31
SQ690-31

	Achtung	Warning	Attention
	Handhabungs- vorschriften beachten	please pay attention to the handling precautions	Veiller à respecter les consignes de manipulation
	Elektrostatisch gefährdete Bauelemente	components endangered electrostatically	Éléments pouvant être chargés électrostatiquement



MOTOR

SQ 490-31, SQ 690-31

24-06-2011

StyMiste ID
SQ4903106

8

Pos	Vare nr.	Ant	Beskrivelse	EAN
1	302000828	1	PRINT F. SQ490/690M	4005337026
1	64939	1	MOTION LEVEL 100/120V 100 *US*CA*	4005337649
2	48333	1	SIKRING 10A	4005337483
2	65058	1	FINE-WIRE FUSE *US*CA*	4005337650
3	42127	1	CONDENSER	4005337421
3	65060	1	CAPACITOR 2200uF/200V *US*CA*	
4	8819	1	STRIPS	4005337088
5	60851	1	SURGE GUARD 110-240V EC	4005337608
6	24738	1	SKRUE KA3,5X8	4005337247
7	17721	1	SCREW EYOT- KA35X53 WN	4005337177
8	107402619	1	SCREENING FILTER KIT	7319519682
8	64937	1	SCREENING FILTER *US*CA*	4005337649
9	47364	1	PACKING RING 108X86X18	4005337473
10	42538	1	MOTORPAKNINGSSÆT "C"	4005337425
11	107402629	1	MOTOR TURBINE 1000W 100/120V *US*CA*	7319519682
11	60561	1	SUGEMOTOR 220-240V 1200W 220/240V 1200W EC	4005337605
12	6163	1	CYLINDER SCREW M4X12 ISO 1207 ZN	4005337061
13	4021	1	SPÆNDESKIVE	4005337040

SLANGER

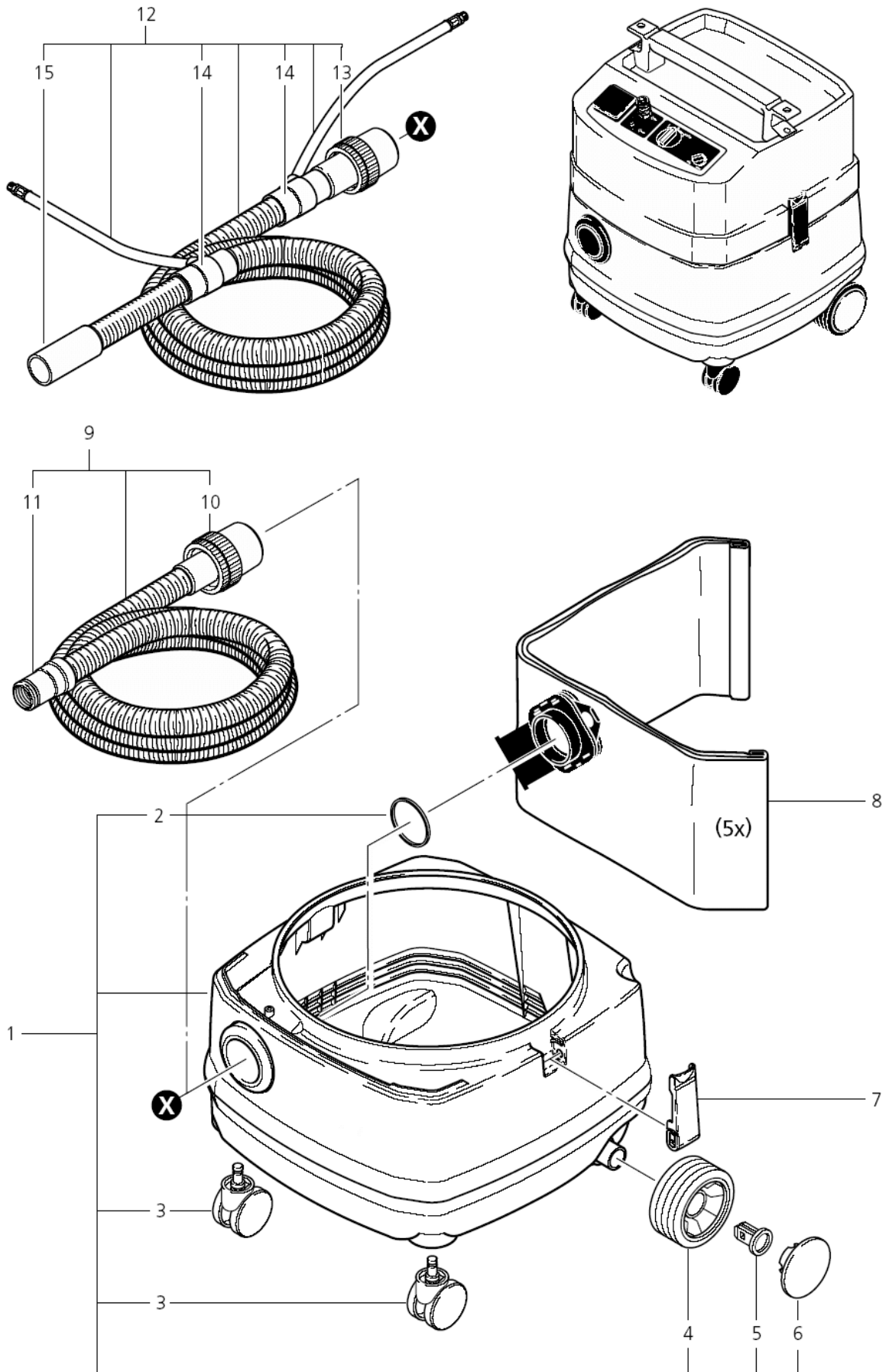
SQ 490-31, SQ 690-31

24-06-2011

StyMiste ID
SQ4903108

9

SQ490-31



SLANGER

SQ 490-31, SQ 690-31

24-06-2011

StyMiste ID
SQ4903108

10

Pos	Vare nr.	Ant	Beskrivelse		EAN
1	65201	1	BEHOLDER M. HJUL SQ450	VERSION 020999	4005337652
2	29191	1	PAKNING		4005337291
3	46298	1	HJUL SQ 5		4005337462
4	43433	1	HJUL SQ		4005337434
5	43975	1	HJULCLIPS SQ		4005337439
6	43435	1	CAPELON	VERSION 020999	4005337434
6	65202	1	NAV/KAPSEL SQ		4005337652
7	26797	1	SNAPLÅS		4005337267
8	28547	1	FILTER BAG SQ4 (5 STK.)		4005337060
8	29739	1	FILTERPOSE SQ 450, 5 STK	VERSION 020999	4005337297
9	15325	1	SUGESLANGE ANT. 3,5M Ø27		4005337153
10	15369	1	SLANGEMUFFE ANTISTAT Ø27		4005337153
11	107404520	1	TOOL ADAPTER D27/36-24 AS		7319519685
11	18195	1	MUFFE TIL RØR Ø27		4005337181
12	26601	1	COAXIAL SUCTION HOSE Ø32	*US*CA*	4005337266
13	30928	1	ADAPT. ANTISTAT Ø32	*US*CA*	4005337309
14	26309	1	HOSE SLEEVE 32	*US*CA*	4005337263
15	60033	1	HOSE SLEEVE Ø32	*US*CA*	4005337600

RAMME

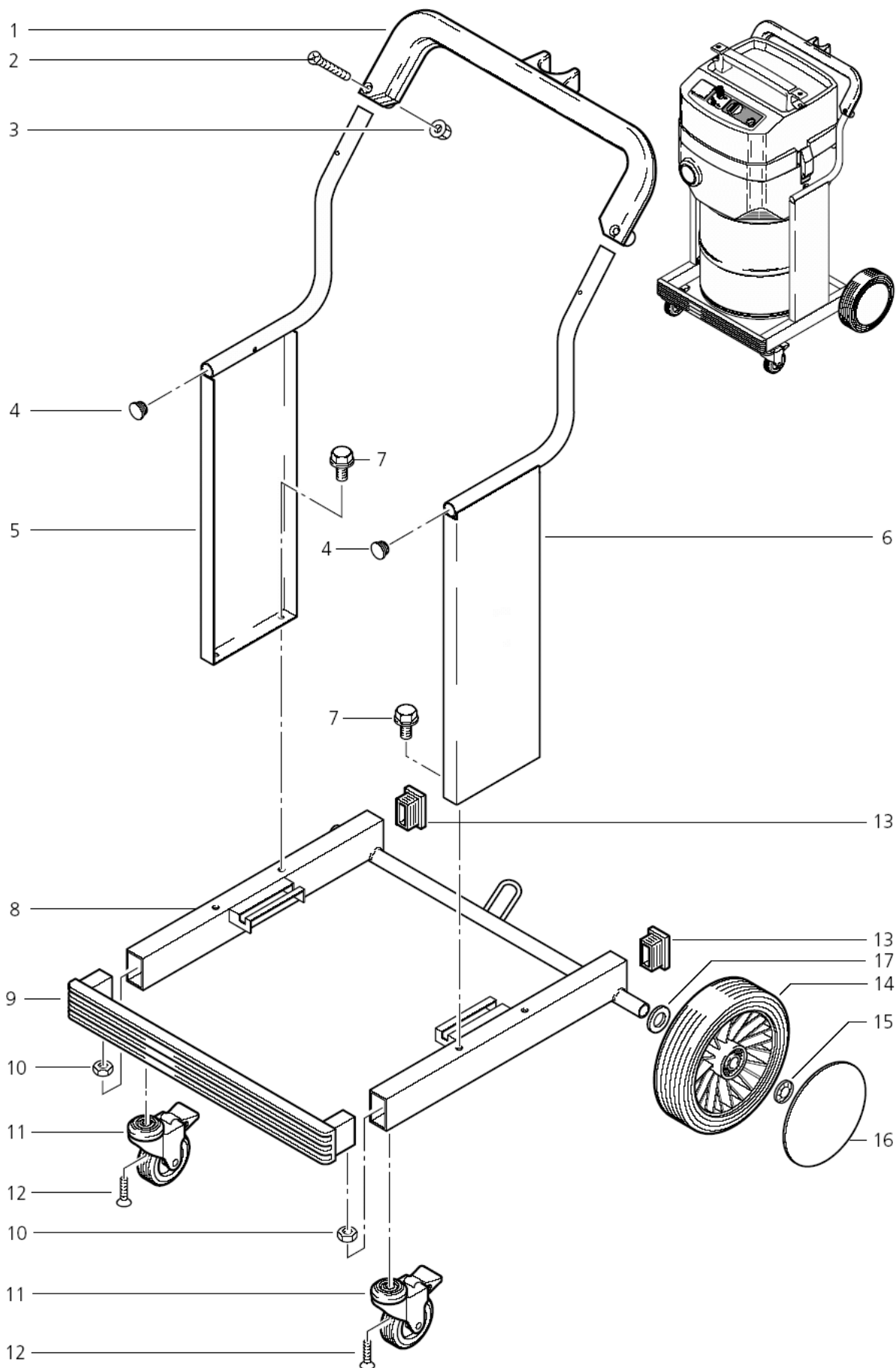
SQ 490-31, SQ 690-31

24-06-2011

StyMiste ID
SQ4903110

11

SQ690-31



RAMME

SQ 490-31, SQ 690-31

24-06-2011

StyMiste ID
SQ4903110

12

Pos	Vare nr.	Ant	Beskrivelse	EAN
1	46134	1	HÅNDTAG SQ 650-850	4005337461
2	17737	1	SKRUE M6X40	4005337177
3	12496	1	MØTRIK M6	4005337172
4	60767	1	PROP F. KØRESTEL	4005337607
5	60746	1	blind SQ650 right printing melon yellow VERSION 020999	4005337607
5	65267	1	PANEL	4005337652
6	65266	1	RAMME VERSION 020999	4005337652
8	60741	1	STEL	4005337607
9	46301	1	FRONTRAMME	4005337463
11	11474	1	CASTER WHEEL WAS 5285	4005337114
12	30738	1	SKRUE	4005337307
13	7895	1	PROP F. STEL	4005337078
14	48647	1	WHEEL	4005337486
15	47302	1	LÅSEKIVE	4005337473
16	65213	1	NAV/KAPSEL SQ VERSION 020999	4005337652

Tilbehør

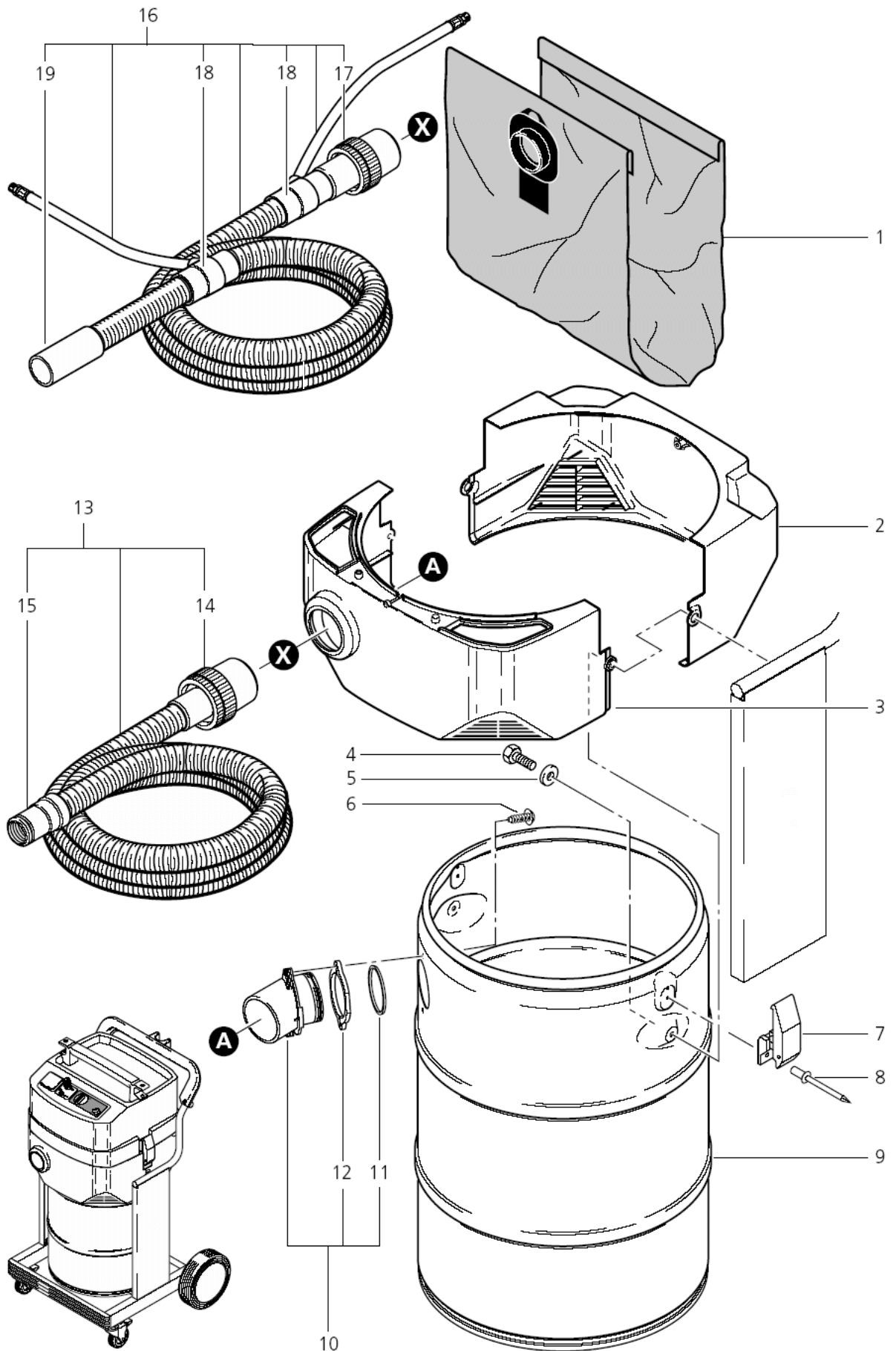
SQ 490-31, SQ 690-31

24-06-2011

StyMiste ID
SQ4903112

13

SQ690-31



Tilbehør

SQ 490-31, SQ 690-31

24-06-2011

StyMiste ID
SQ4903112

14

Pos	Vare nr.	Ant	Beskrivelse		EAN
1	47429	1	FILTERPOSER, 5 STK.	VERSION 020999	4005337474
1	60694	1	FILTERSACK SQ6		4005337606
2	60737	1	DÆKSEL SQ650		4005337607
3	60738	1	DÆKSEL SQ650		4005337607
5	17849	1	SKIVE	VERSION 020999	4005337178
6	11565	1	SKRUE PT5X18		4005337115
7	19880	1	SNAPLÅS SQ 550-11		4005337198
8	11691	1	NITTE 4,0X10X8		4005337116
9	60739	1	SMUDSBEHOLDER SQ 650		4005337607
10	60059	1	STUDS F. BEHOLDER	VERSION 020999	4005337600
11	29191	1	PAKNING		4005337291
12	46223	1	RING		4005337462
13	15325	1	SUGESLANGE ANT. 3,5M Ø27		4005337153
14	15369	1	SLANGEMUFFE ANTISTAT Ø27		4005337153
15	107404520	1	TOOL ADAPTER D27/36-24 AS		7319519685
15	18195	1	MUFFE TIL RØR Ø27		4005337181
16	26601	1	COAXIAL SUCTION HOSE Ø32	*US*CA*	4005337266
17	30928	1	ADAPT. ANTISTAT Ø32	*US*CA*	4005337309
18	26309	1	HOSE SLEEVE 32	*US*CA*	4005337263
19	60033	1	HOSE SLEEVE Ø32	*US*CA*	4005337600