

ATTIX 5

Model:

ATTIX 550-01

ATTIX 550-11

ATTIX 550-21

ATTIX 560-21 XC MOBILE

ATTIX 560-31 XC

ATTIX 590 CLEAN ROOM

ATTIX 590-21 EC



Stykliste Dansk

14-03-2013

Nilfisk
ALTO
works for you

www.nilfisk-alto.com

Indholdsfortegnelse

ATTIX 5

Cabinet 550-01, 12 GALLON	3
Cabinet 550-11, - 21, 12 - RFD	5
Cabinet 560-21 XC, 12 GALLON RDFD	7
Cabinet 560-31 XC, 12 GALLON AS/PE	9
Cabinet 590-21, EC 12 GALLON AS/E	11
Base, motor, filter 550-01, -11, -21, 12 GALLON	13
Base, motor 560-21 XC, -31 XC, 12 GALLON RDFD, 12	15
Filter, cleaning system 560-21 XC, -31 XC, 12 GALL	17
Base, motor, filter 590-21	19
Container 550-01, -11, -21, 12 GALLON, 12 GALLON	21
Container 560-21XC, -31XC, 12 GALLON AS/PE, 12 GAL	23
Container ATTIX 590-21, EC 12 GALLON AS/E	25
Handle 550-11 mobil	27
Accessories 550, 751	29
Accessories 560, 761, 763	31
Accessories 590, 791	33
ANBEFALEDE RESERVEDELE	35

Cabinet 550-01, 12 GALLON

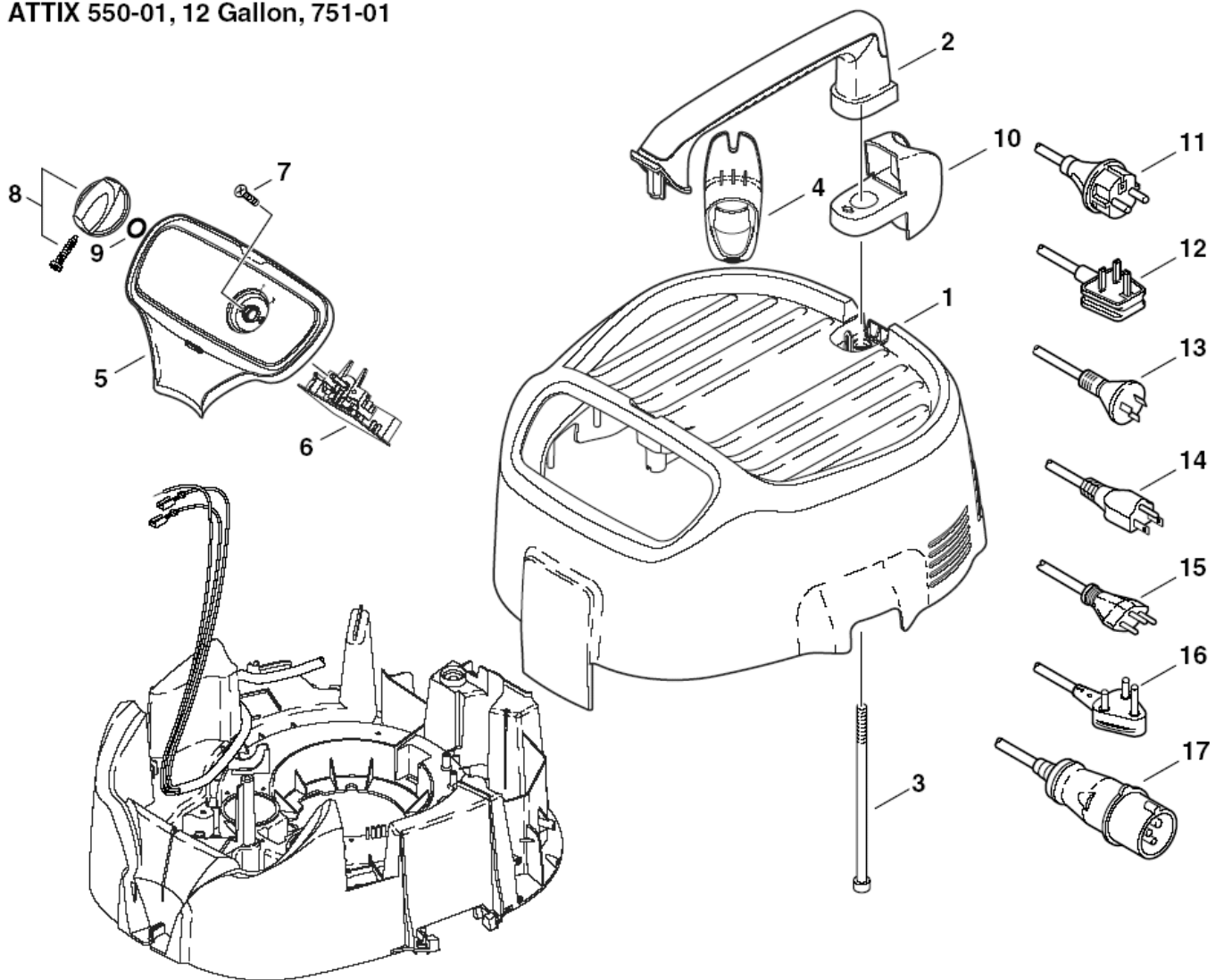
ATTIX 5

14-03-2013

StyMiste ID
ATTIX55002

3

ATTIX 550-01, 12 Gallon, 751-01



Cabinet 550-01, 12 GALLON

ATTIX 5

14-03-2013

StyMiste ID
A11IX5500Z

4

Pos	Vare nr.	Ant	Beskrivelse	
0	302000517	1	CARDBOARD BOX 570X487X710	not shown
1	107402652	1	Kabinet (Top)	
2	107402650	1	Løftehåndtag	
3	909100084	2	Skrue M6	
4	302000380	1	Kabelholder	
5	302000756	1	Switch Box	550-1, 12 GALLON, 751-01
6	302000825	1	ELECTRONIC SOFT START 100-	100-120V
6	302000826	1	Elektronik	220-240V
7	18274	2	Skrue M4X12	
8	909100204	1	Drejeknap	
9	9868	1	O-Ring 10.0X2.5	
10	302000382	1	Rørholder	550-01, 12 GALLON
11	302000430	1	POWER CORD H05RR-F 3G0.75X8.0	*EU*
11	302000433	1	Power Cable Dk	*DK*
12	107400270	1	CORD H05RR-F 3G1.5 BS1 363 GB	*GB,230V*
13	302000434	1	POWER CORD H05RR-F 3G0.7	*AU*
14	302000435	1	POWER CORD SJTW-A AWG18/3X8.2M NEMA -US	*US*
15	302000432	1	POWER CORD H05RR-F 3G0.75X8.2M SNV -CH	*CH*
16	302000685	1	POWER CORD H05RR-F3G0.75X8.4 S	*ZA*
17	107400574	1	CORD H05BQ-F 3G1.0 CEE GB 110	*GB*

Cabinet 550-11, - 21, 12 - RFD

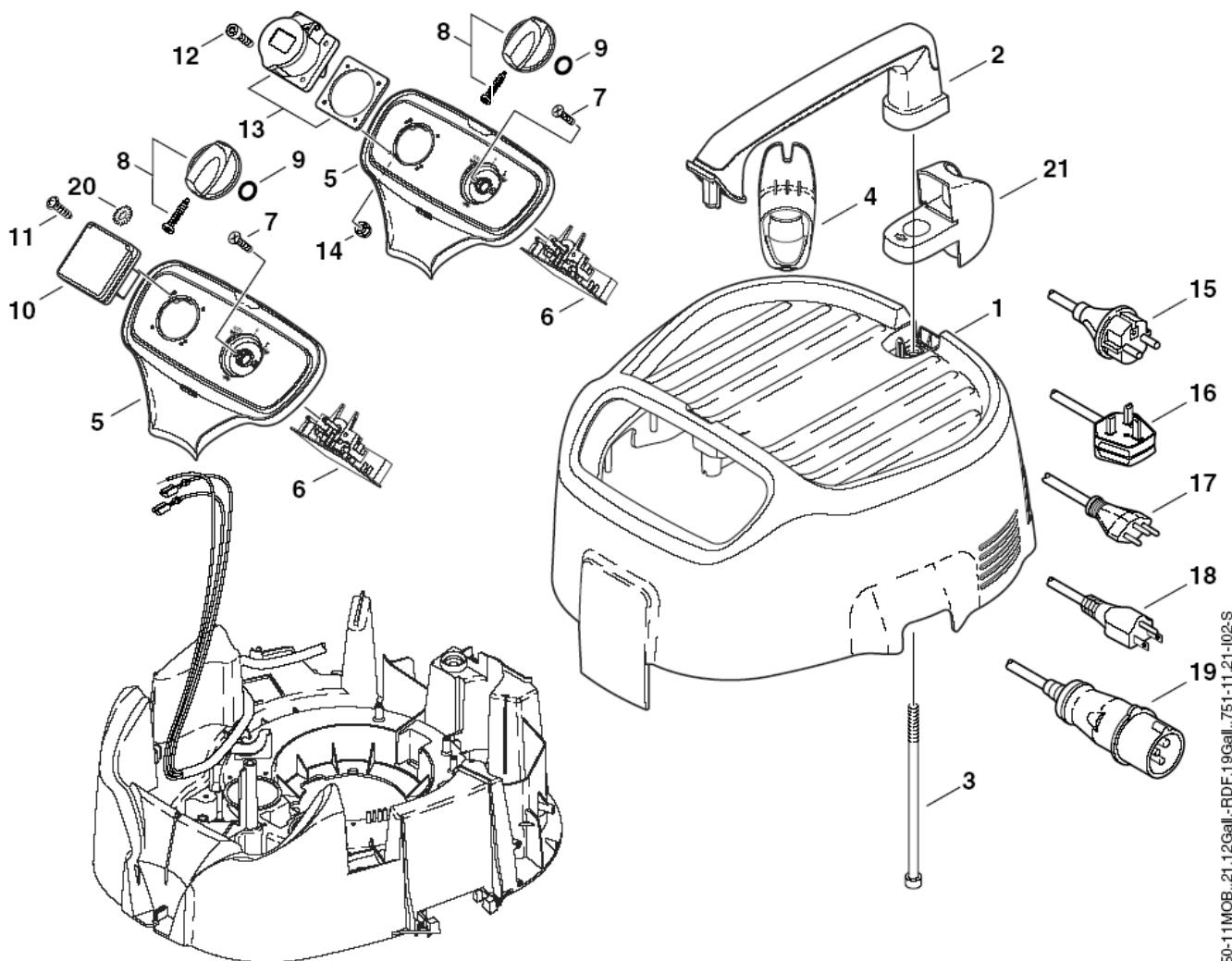
ATTIX 5

14-03-2013

StyMiste ID
ATTIX55004

5

ATTIX 550-11 MOBIL, 550-21, 12 Gallon RDF, 751-11, 751-21, 19 Gallon



550-11 MOB., 21, 12 Gall. - RDF, 19 Gall., 751-11, 21-102-S

Cabinet 550-11, - 21, 12 - RFD

ATTIX 5

14-03-2013

StyMiste ID
A11IX55004

6

Pos	Vare nr.	Ant	Beskrivelse	
1	107402652	1	Kabinet (Top)	
2	107402650	1	Løftehåndtag	
3	909100084	2	Skrue M6	
4	302000380	1	Kabelholder	
5	302000757	1	Switch Box	550-21, 751-21, 12GALL.RDF
5	302001287	1	Switch Box Attix 5-7	550-11 MOBIL,751-11, 19GALL.
6	302000627	1	ELECTRONIC 110-120V SET1	100-120V, 12GALL.RDF
6	302000628	1	Elektronik M. Drejereg	220-240V, 550-21, 751-21
6	302000826	1	Elektronik	* SEE NOTE
7	18274	2	Skrue M4X12	
8	909100204	1	Drejeknap	
9	9868	1	O-Ring 10.0X2.5	
10	302000683	1	Stikdåse	*DK*
10	302004034	1	Stikdåse 16A/250V Eu	*EU*
10	302004336	1	SOCKET 13A/250V GB	*GB,230V*
10	302004337	1	SOCKET 10A/250V CH	*CH*
10	302004338	1	SOCKET 15A/125V US/CSA	*US*
11	11256	2	Skrue Ka3,5X18	
12	50598	4	SCREW M5X20	*GB,110V*
13	107402842	1	OUTLET 2P AND PE 16A 110V	*GB,110V*
14	7417	4	HEXAGON THIN NUT	*GB,110V*
15	107402641	1	Power Cord H05Rr-F 3G1.5X 8X2	*EU*
15	107402642	1	Elkabel	*DK*
16	107400270	1	CORD H05RR-F 3G1.5 BS1 363 GB	*GB,230V*
17	107400267	1	Cord H05Rr-F 3G1.0 Ch	*CH*
18	302004332	1	POWER CORD US	*US*
19	107400271	1	CORD H07BQ-F 3G2.5 GB	*GB,110V*
20	4021	2	SERRATED LOCK WASHER A4	*US*
21	302000382	1	Rørholder	550-11 MOBIL

* NOTE: 220-240V, 550-11 MOBIL, 751-11*EU*DK*CH*GB,230V*

Cabinet 560-21 XC, 12 GALLON RDFD

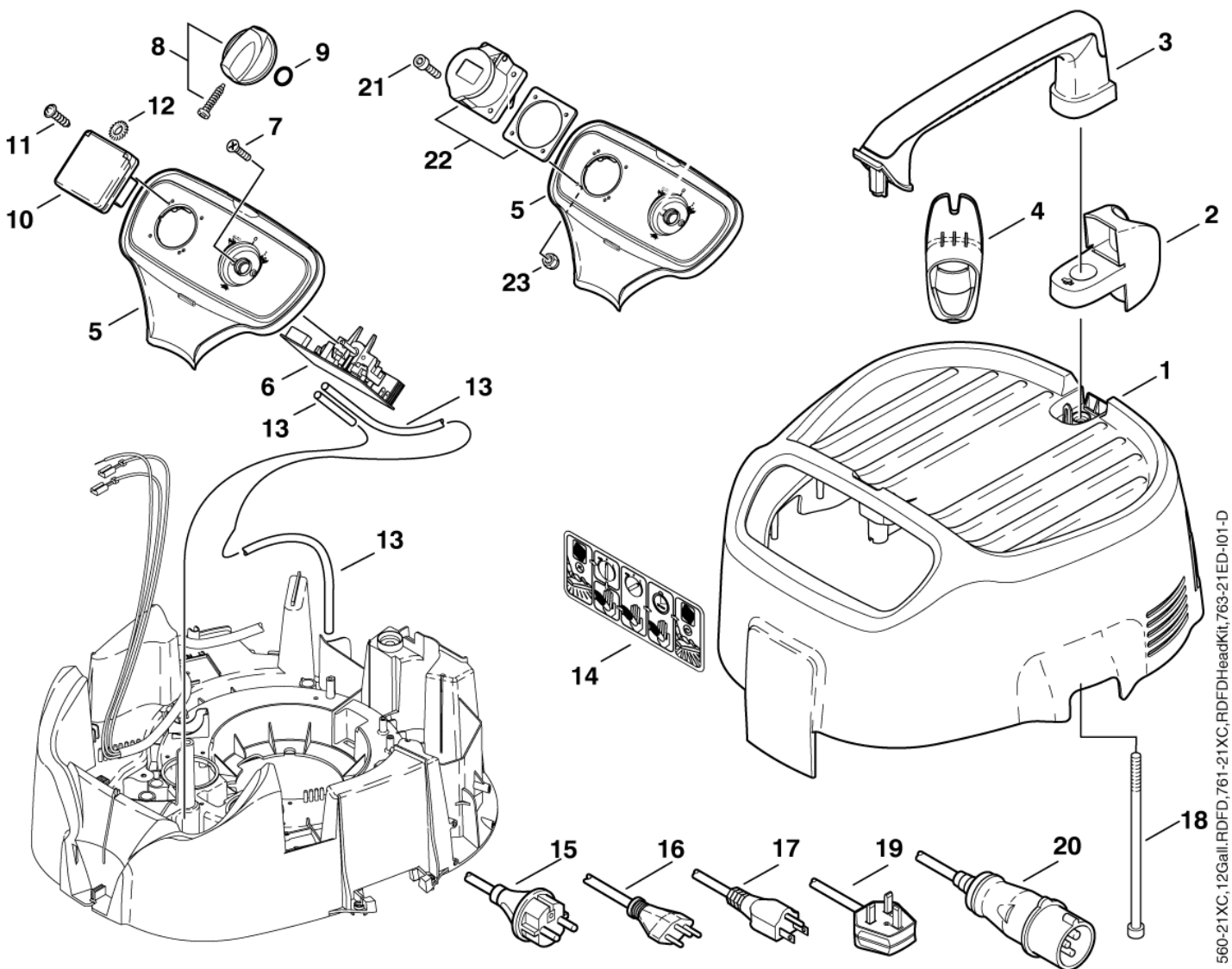
ATTIX 5

14-03-2013

StyMiste ID
ATTIX56002

7

ATTIX 560-21 XC, 12 Gallon RDFD, RDFD Head Kit, 761-21 XC, 763-21 ED



560-21XC, 12Gall. RDFD, 761-21XC, RDFDHeadKit, 763-21ED-I01-D

Cabinet 560-21 XC, 12 GALLON RDFD

ATTIX 5

14-03-2013

StyMiste ID
A11IX5600Z

8

Pos	Vare nr.	Ant	Beskrivelse	
1	107402652	1	Kabinet (Top)	
2	302000382	1	Rørholder	560-21XC, 12GALL.RDFD
3	107402650	1	Løftehåndtag	
4	302000380	1	Kabelholder	
5	302000757	1	Switch Box	
6	302000852	1	ELECTRONIC 120V SET1	100-120V
6	302000853	1	Print 230V Sæt	220-240V
7	18274	2	Skrue M4X12	
8	909100204	1	Drejeknap	
9	9868	1	O-Ring 10.0X2.5	
10	302000683	1	Stikdåse	*DK*
10	302004034	1	Stikdåse 16A/250V Eu	*EU*
10	302004336	1	SOCKET 13A/250V GB	*GB,230V*
10	302004337	1	SOCKET 10A/250V CH	*CH*
10	302004338	1	SOCKET 15A/125V US/CSA	*US*
11	11256	2	Skrue Ka3,5X18	
12	4021	2	SERRATED LOCK WASHER A4	*US*
13	11379	1	Hose Ø3X1,5	* SEE NOTE
14	302000824	1	Label	
15	107402641	1	Power Cord H05Rr-F 3G1.5X 8X2	*EU*
15	107402642	1	Elkabel	*DK*
16	107400267	1	Cord H05Rr-F 3G1.0 Ch	*CH*
17	302004332	1	POWER CORD US	*US*
18	909100084	2	Skrue M6	
19	107400270	1	CORD H05RR-F 3G1.5 BS1 363 GB	*GB,230V*
20	107400271	1	CORD H07BQ-F 3G2.5 GB	*GB,110V*
21	50598	4	SCREW M5X20	*GB,110V*
22	107402842	1	OUTLET 2P AND PE 16A 110V	*GB,110V*
23	7417	4	HEXAGON THIN NUT	*GB,110V*

* NOTE: PLEASE INDICATE LENGTHS IN METRES WHEN ORDERING

Cabinet 560-31 XC, 12 GALLON AS/PE

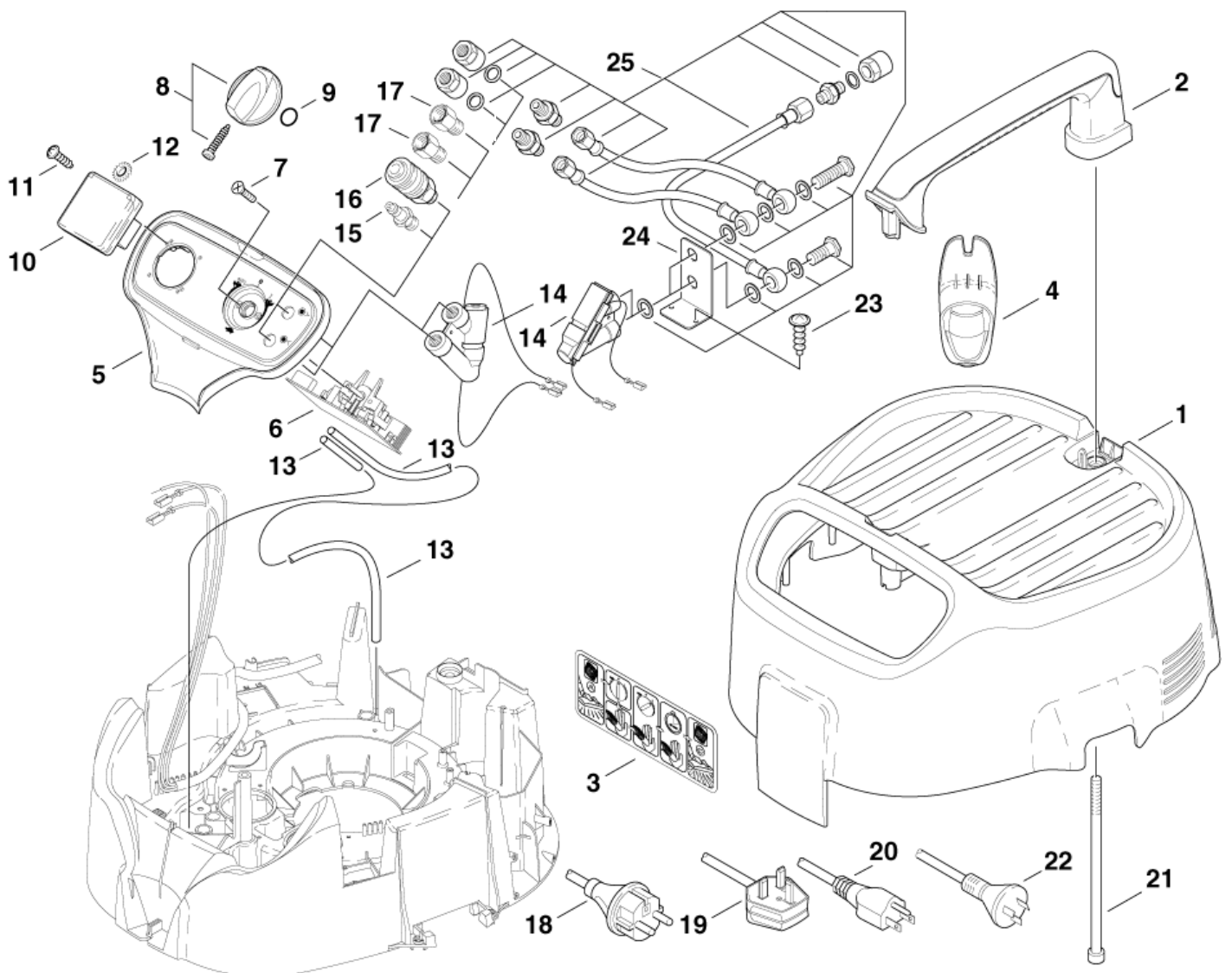
14-03-2013

StyMiste ID
ATTIX56004

ATTIX 5

9

ATTIX 560-31 XC, 12 Gallon AS/PE, 19 Gallon AS/PE 2



Cabinet 560-31 XC, 12 GALLON AS/PE

ATTIX 5

14-03-2013

StyMiste ID
A11IX56004

10

Pos	Vare nr.	Ant	Beskrivelse	
2	107402650	1	Løftehåndtag	
3	302000824	1	Label	
4	302000380	1	Kabelholder	
5	302000758	1	SWITCH BOX -31 ATTIX 5	560-31XC, 12GALLON AS/PE
5		1	SWITCH BOX	19GALLON AS/PE2
6	302000852	1	ELECTRONIC 120V SET1	100-120V
6	302000853	1	Print 230V Sæt	220-240V
7	18274	2	Skrue M4X12	
8	909100204	1	Drejeknap	
9	9868	1	O-Ring 10.0X2.5	
10	302001185	1	SOCKET 10A/250V AU	*AU*
10	302004034	1	Stikdåse 16A/250V Eu	*EU*
10	302004336	1	SOCKET 13A/250V GB	*GB,230V*
10	302004338	1	SOCKET 15A/125V US/CSA	*US*
11	11256	2	Skrue Ka3,5X18	
12	4021	2	SERRATED LOCK WASHER A4	*US*
13	11379	1	Hose Ø3X1,5	
14	107402622	1	FLOW SENSOR KIT	
15	14809	1	COUPLING MALE G1/4	560-31XC
16	14808	1	COUPLING FEMALE G1/4	560-31XC
17	25437	2	NIPPLE G1/4-R1/4	12GALLON AS/PE
18	107402641	1	Power Cord H05Rr-F 3G1.5X 8X2	*EU*
19	107400270	1	CORD H05RR-F 3G1.5 BS1 363 GB	*GB,230V*
20	302004332	1	POWER CORD US	*US*
21	909100084	2	Skrue M6	
22	302004333	1	POWER CORD AU	*AU*
23		2	SCREW KA35X 8 WN1411	19GALLON AS/PE2
24		1	ANGLE 1.5 100X70X40X32.5 ST	19GALLON AS/PE2
25		1	AIR MANIFOLD ASSY. SET	19GALLON AS/PE2

Cabinet 590-21, EC 12 GALLON AS/E

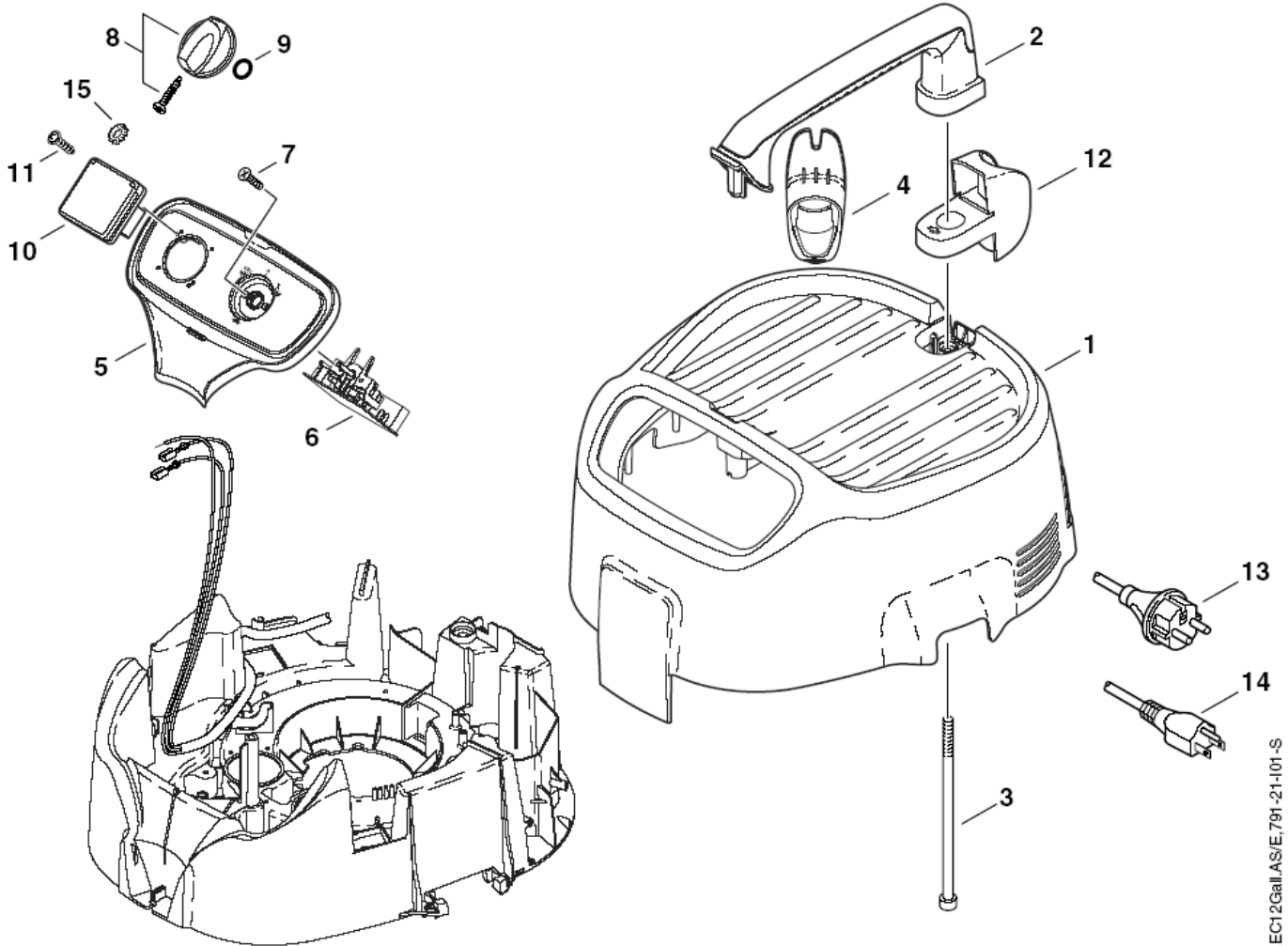
ATTIX 5

14-03-2013

StyMiste ID
ATTIX59002

11

ATTIX 590-21, EC 12 Gallon AS/E, 791-21



590-21, EC12Gall,AS/E,791-21-101-S

Cabinet 590-21, EC 12 GALLON AS/E

ATTIX 5

14-03-2013

StyMiste ID
A11IX59002

12

Pos	Vare nr.	Ant	Beskrivelse	
1	107402652	1	Kabinet (Top)	
2	107402650	1	Løftehåndtag	
3	909100084	2	Skrue M6	
4	302000380	1	Kabelholder	
5	302000757	1	Switch Box	
6	302001424	1	ELECTRONIC EA.W.SPEED EC	EC 12GALLON AS/E
6	302001425	1	Electronic Ea.W.Speed Ec	590-21, 791-21
7	18274	2	Skrue M4X12	
8	909100204	1	Drejeknap	
9	9868	1	O-Ring 10.0X2.5	
10	302004034	1	Stikdåse 16A/250V Eu	*EU* -590-21, 791-21
10	302004338	1	SOCKET 15A/125V US/CSA	*US*-EC 12GALLON AS/E
11	11256	2	Skrue Ka3,5X18	
12	302000382	1	Rørholder	590-21, EC 12GALLON AS/E
13	107402641	1	Power Cord H05Rr-F 3G1.5X 8X2	*EU* -590-21, 791-21
14	302004332	1	POWER CORD US	*US* -EC 12GALLON AS/E
15	4021	1	SERRATED LOCK WASHER A4	

Base, motor, filter 550-01, -11, -21, 12 GALLC

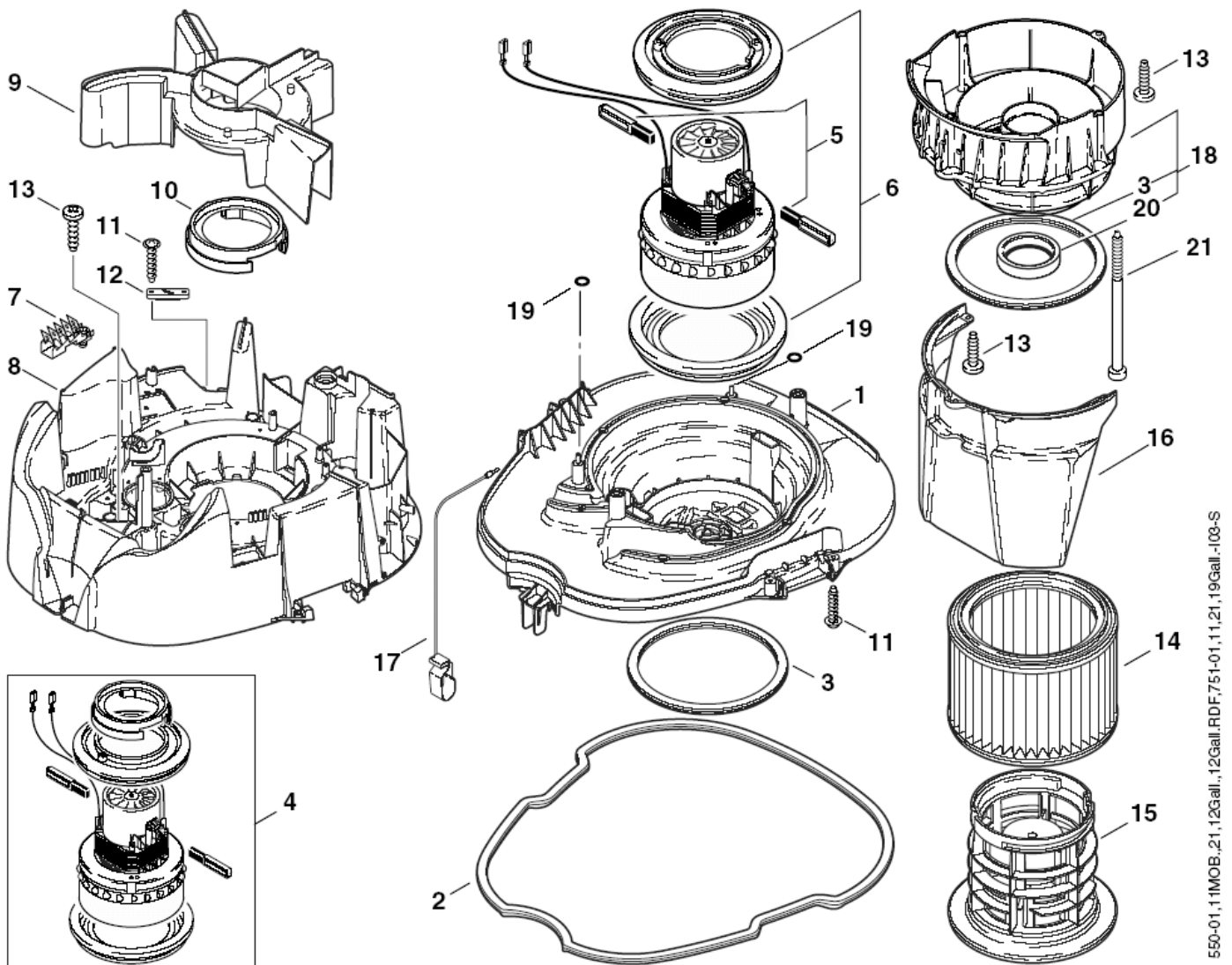
ATTIX 5

14-03-2013

StyMiste ID
ATTIX55008

13

ATTIX 550-01, 550-11 MOBIL, 550-21, 12 Gallon, 12 Gallon RDF, 751-01, 751-11, 751-21, 19 Gallon



550-01,11MOB.,21,12Gall.,12Gall.RDF,751-01,11,21,19Gall.-103-S

Base, motor, filter 550-01, -11, -21, 12 GALLOI ATTIX 5

14-03-2013

StyMiste ID
A11IX55008

14

Pos	Vare nr.	Ant	Beskrivelse	
1	302000372	1	Plade ATTIX 5	
2	302000637	1	Tætning F. Beholder ATTIX	
3	302000460	1	Tætning F. Filter Attix	
4	26783	1	MOTOR 100V 1200W	100V/1200W
4	26784	1	Motor 120V 1200W	110-120V/1200W
4	26785	1	MOTOR 120V 1000W	120V/1000W
4	49594	1	Motor 220V Sq	220-240V/1200W
5	26774	1	"Kulsæt ""M"" "	FOR IDENTIF.LETTER "M"
5	26775	1	"Kulsæt ""L"" "	FOR IDENTIF.LETTER "L"
5	49625	1	"Kulsæt ""C"" "	FOR IDENTIF. LETTER "C"
6	28875	1	"Motorpakningssæt ""L""+"M"" "	FOR IDENTIF.LETTER "L"+"M"
6	29205	1	SEAL	FOR IDENTIF. LETTER "L"+"M"
6	42538	1	"Motorpakningssæt ""C"" "	FOR IDENTIF. LETTER "C"
6	61167	1	MOTOR BEARING RING SET EC	FOR IDENTIF. LETTER "C"
7	302000755	1	TERMINAL STRIP 6 FH63X08 16A	* SEE NOTE
8	107402638	1	Plate Chuck Attix 550 Pp Kit	
9	302000373	1	Luftfordeler ATTIX 5	
10	47035	1	COLLAR 55 SHORE A EPDM	12GALL., 12GALL. RDF, 19GALL.
10	47036	1	Gummipakning	
11	11256	6	Skrue Ka3,5X18	
12	5697	1	STRAP 3X8X33	
13	909100138	10	Skrue	
14	11753	1	Filter Aero/Sq 550/Sq 650	*ZA*
14	302000490	1	Filterelement PUR M-klasse	
15	107402646	1	Filter Support Cage ATTIX Pp	
16	302000379	1	Beskyttelsesplade	
17	302000823	1	CONTACT SPRING 41.8X14 AS BR	*GB,230V*
17	61174	1	Jordkabel	
18	302001641	1	ADAPTOR SUBASSEMBLE	751-01, 751-11, 751-21, 19GALL.
19	62359	2	GASKET 9X4X1	
20	302001546	1	Pakning	751-01, 751-11, 751-21, 19GALL.
21	909100196	3	SCREW 5.0X90	751-01, 751-11, 751-21, 19GALL.

* NOTE: 550-01, 550-11MOB., 550-21*GB,110V*., 12GALL., 751-01, 751-11*GB,110V*., 19GALL.

Base, motor 560-21 XC, -31 XC, 12 GALLON RDF

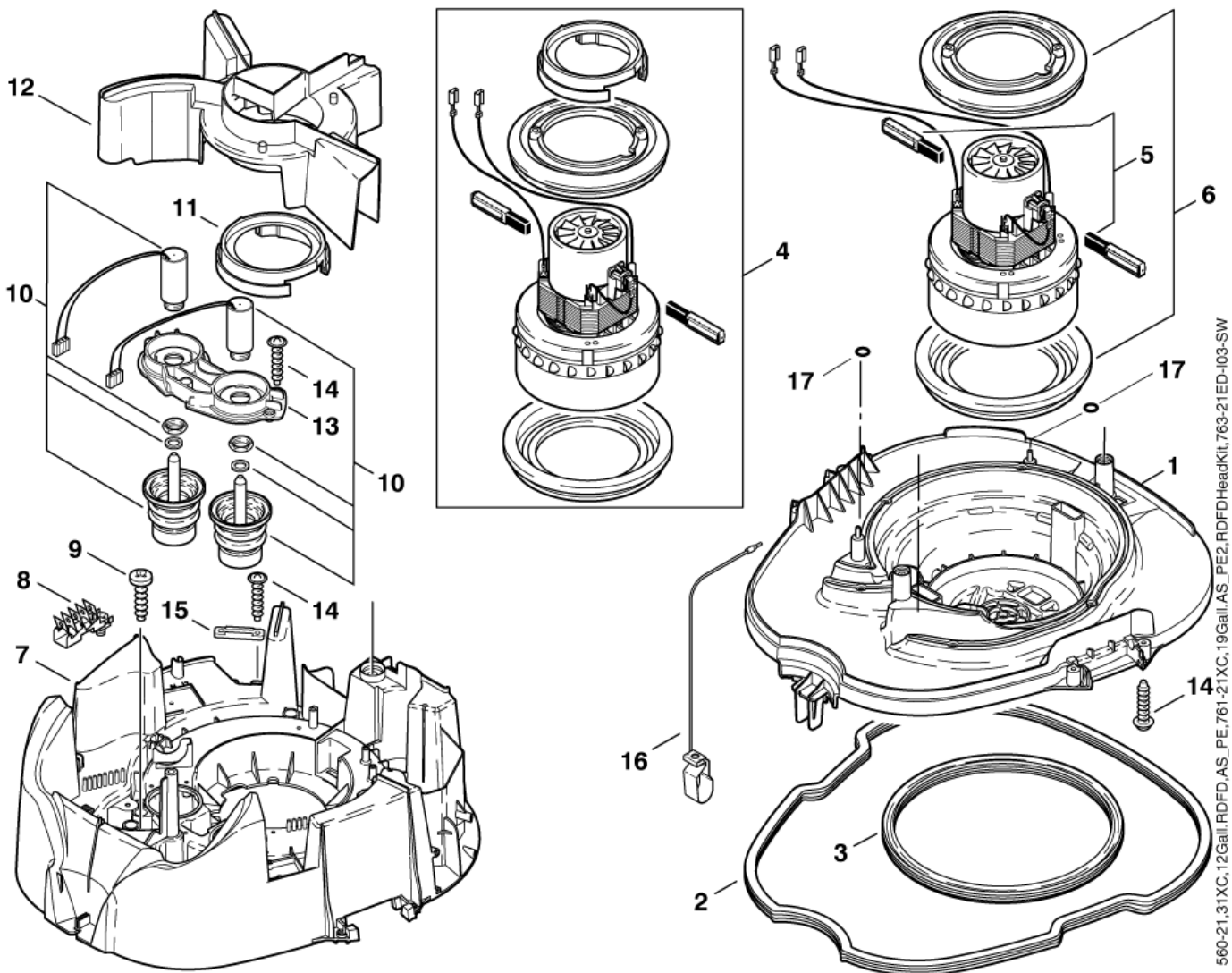
ATTIX 5

14-03-2013

StyMiste ID
ATTIX56006

15

ATTIX 560-21 XC, 560-31 XC, 12Gallon RDFD, 12Gallon AS/PE, RDFD Head Kit, 761-21 XC, 19Gallon AS/PE2, 763-21 ED



Base, motor 560-21 XC, -31 XC, 12 GALLON RDFI ATTIX 5

14-03-2013

StyMiste ID
A11IX56006

16

Pos	Vare nr.	Ant	Beskrivelse	
1	302000511	1	Plade	
2	302000637	1	Tætning F. Beholder ATTIX	
3	302000697	1	Gasket Filter	
4	26784	1	Motor 120V 1200W	110-120V/1200W
4	49594	1	Motor 220V Sq	220-240V/1200W
4		1	E-Motor 230V/1400 W	763-21 ED
5	26774	1	"Kulsæt ""M"" "	FOR IDENTIF.LETTER "M"
5	26775	1	"Kulsæt ""L"" "	FOR IDENTIF.LETTER "L"
5	49625	1	"Kulsæt ""C"" "	FOR IDENTIF.LETTER "C"
6	28875	1	"Motorpakningssæt ""L""+"M"" "	FOR IDENTIF.LETTER "L"+"M"
6	29205	1	SEAL	FOR IDENTIF.LETTER "L"+"M"
6	42538	1	"Motorpakningssæt ""C"" "	FOR IDENTIF. LETTER "C"
6	61167	1	MOTOR BEARING RING SET EC	FOR IDENTIF. LETTER "C"
7	107402639	1	Monteringsplade	
8	302000755	1	TERMINAL STRIP 6 FH63X08 16A	
9	909100138	6	Skrue	
10	107402635	2	Electromagnet 24V Kit	FOR 220-240V
10	302000217	2	ELECTROMAGNET 12V	FOR 100-120V
11	47036	1	Gummipakning	
12	302000373	1	Luf tfordeler ATTIX 5	
13	302000388	1	Frame 190X90X18	Pp
14	11256	11	Skrue Ka3,5X18	
15	5697	1	STRAP 3X8X33	
16	302000823	1	CONTACT SPRING 41.8X14 AS BR	*GB,230V*
16	61174	1	Jordkabel	
17	62359	2	GASKET 9X4X1	

Filter, cleaning system 560-21 XC, -31 XC, 12 G

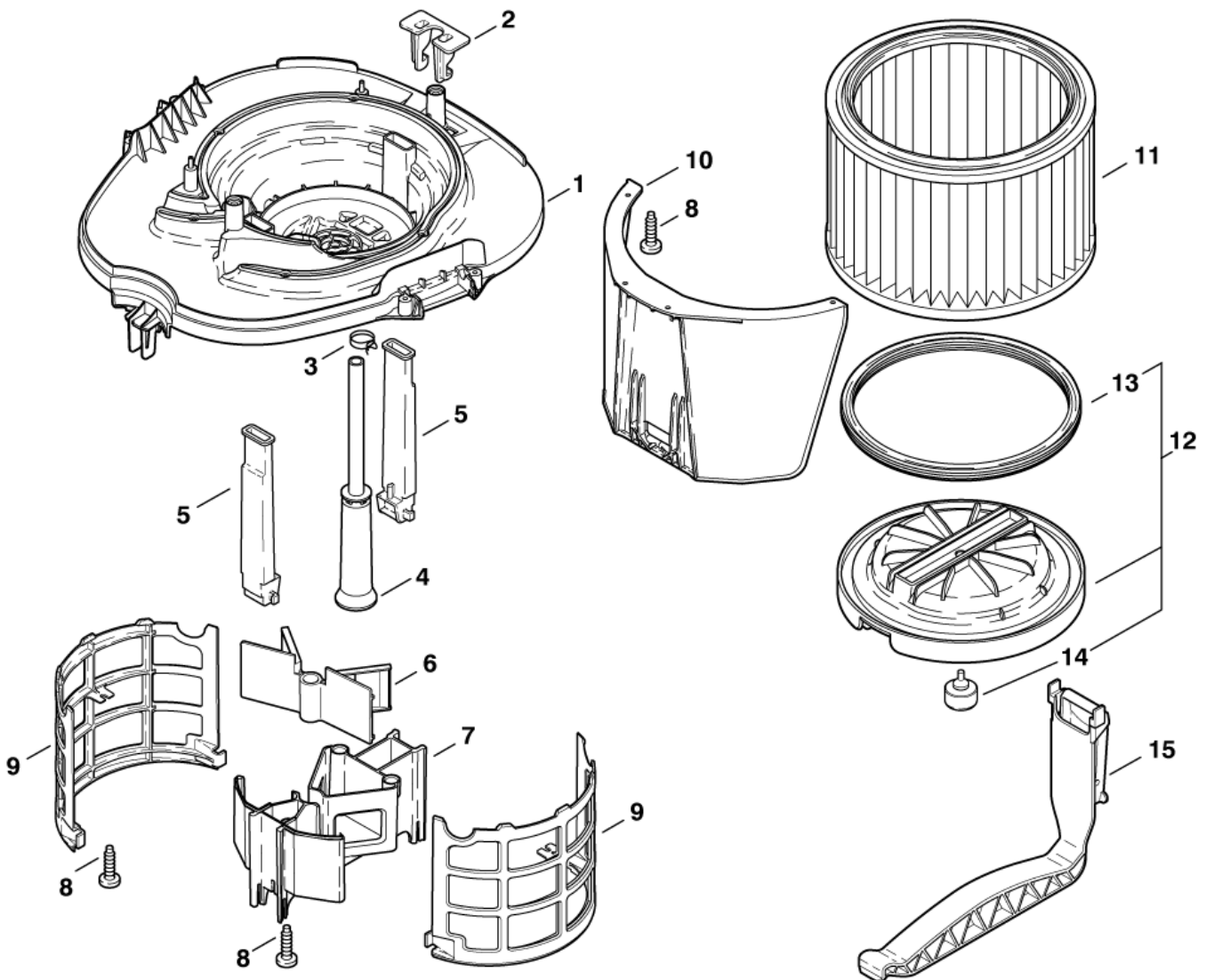
ATTIX 5

14-03-2013

StyMiste ID
ATTIX56008

17

ATTIX 560-21 XC, 560-31 XC, 12Gallon RFD, 12Gallon AS/PE, RFD Head Kit, 761-21 XC, 19Gallon AS/PE2, 763-21 ED



560-21,31XC,12Gall.RFD,AS_PE,761-21XC,19Gall.AS_PE2,RFDHeadKit,763-21ED-104-S

Filter, cleaning system 560-21 XC, -31 XC, 12 G/

ATTIX 5

14-03-2013

Styliste ID
A11IX56008

18

Pos	Vare nr.	Ant	Beskrivelse
1	302000511	1	Plade
2	302000512	1	Krog F.Filterholder ATTIX
3	909100137	1	Band Clamp Fitting T19
4		1	Hose D40X396 * SEE NOTE
4	303000516	1	Slange ** SEE NOTE
5	302000514	2	Pakning
6	302000387	1	Flap
7	302000386	1	Luftkanal
8	909100138	9	Skrue
9	302000385	2	Filterhus
10	107402640	1	Deflector 318X180X212 Kit
11	107400562	1	Filter Element D275X187 Pet Nano + Meta
11	302000751	1	Filterelement L+M Set
12	107402653	1	Bundplade F/Filter
13	302000697	1	Gasket Filter
14	302000515	1	Plug
15	107402651	1	Holder For Filter

** NOTE: 560-21XC, 560-31XC, 12GALL.RDFD,, 12GALL.AS/PE

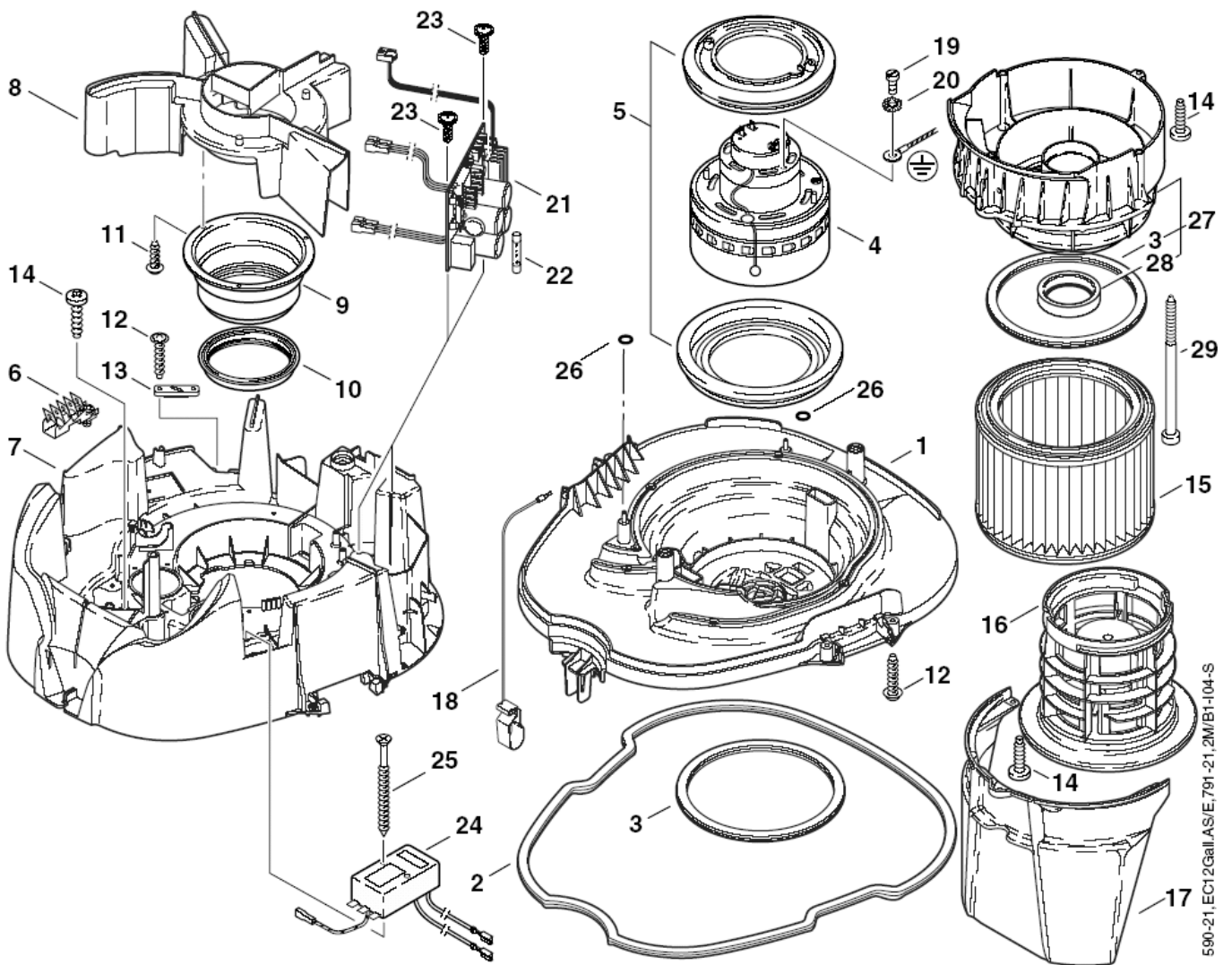
Base, motor, filter 590-21

ATTIX 5

14-03-2013

StyMiste ID
ATTIX59008

19



590-21, EC12Gall AS/E, 791-21, 2M/B1-104-S

Base, motor, filter 590-21

ATTIX 5

14-03-2013

StyMiste ID
A11IX59008

20

Pos	Vare nr.	Ant	Beskrivelse	
1	302000372	1	Plade ATTIX 5	
2	302000637	1	Tætning F. Beholder ATTIX	
3	302000460	1	Tætning F. Filter Attix	
4	107402629	1	MOTOR TURBINE 1000W 100/120V	EC 12GALLON AS/E, 791-2M/B1*GB,110V*
4	60561	1	Sugemotor 220-240V 1200W	590-21, 791-21,, 791-2M/B1*EU*GB,230V*
5	61167	1	MOTOR BEARING RING SET EC	
6	302000755	1	TERMINAL STRIP 6 FH63X08 16A	
7	107402638	1	Plate Chuck Attix 550 Pp Kit	590-21, EC 12GALLON AS/E, 791-21
7		1	SUPPORTING PLATE	791-2M/B1
8	302000373	1	Luf tfordeler ATTIX 5	
9	60877	1	BRACKET	
10	47364	1	PACKING RING 108X86X18	
11	11254	3	SCREW 3.5X10 WN1411	
12	11256	6	Skrue Ka3,5X18	
13	5697	1	STRAP 3X8X33	
14	909100138	9	Skrue	
15	302000490	1	Filterelement PUR M-klasse	
15	302000658	1	Filterelement H-klasse	for ATTIX 590-21 Cleanroom
16	107402646	1	Filter Support Cage ATTIX Pp	
17	302000379	1	Besky ttelsesplade	
18	61174	1	Jordkabel	
19	6163	1	CYLINDER SCREW M4X12 ISO 1207 ZN	
20	4021	1	SERRATED LOCK WASHER A4	
21	302000833	1	Electronics Ec-3 230V Set	590-21, 791-21, 791-2M/B1*EU*GB,230V*
21	302001430	1	ELECTRONIC EC 110V SET-1	EC 12GALLON AS/E, 791-2M/B1*GB,110V*
22	48333	1	FINE-WIRE FUSE 6.3X32 10	590-21, 791-21, 791-2M/B1*EU*GB,230V*
22	65058	1	FINE-WIRE FUSE	EC 12GALLON AS/E, 791-2M/B1*GB,110V*
23	10028	2	Skrue	
24	107402619	1	SCREENING FILTER KIT	590-21, 791-21, 791-2M/B1*EU*GB,230V*
24	64937	1	SCREENING FILTER	EC 12GALLON AS/E, 791-2M/B1*GB,110V*
25	11255	2	SCREW 3.5X30	
26	62359	2	GASKET 9X4X1	
27		1	ADAPTOR SUBASSEMBLE	791-21, 791-2M/B1
28		1	Pakning	791-21, 791-2M/B1
29		3	SCREW 5.0X90	791-21, 791-2M/B1

Container 550-01, -11, -21, 12 GALLON, 12 GAL

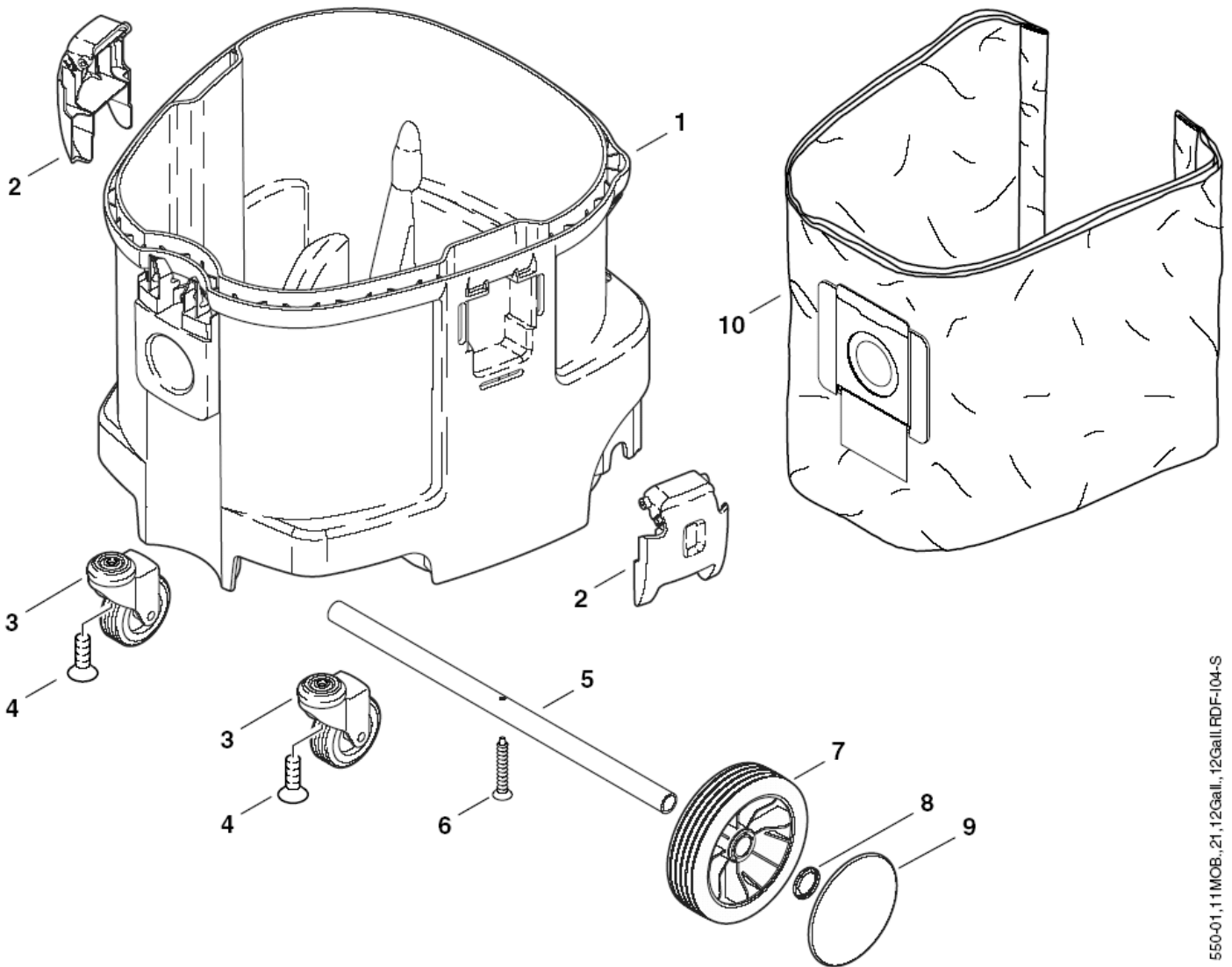
ATTIX 5

14-03-2013

StyMiste ID
ATTIX55012

21

ATTIX 550-01, 550-11 MOBIL, 550-21, 12 Gallon, 12 Gallon RDF



Container 550-01, -11, -21, 12 GALLON, 12 GALL ATTIX 5

14-03-2013

Stykliste ID

A11IX55012

22

Pos	Vare nr.	Ant	Beskrivelse
1	302000696	1	Beholder ATTIX 5
2	302000349	2	Lukkeclamp
3	302000682	2	Hjul ATTIX 5
4	909100164	2	Skrue
5	107402649	1	Axle 20X1.5X440
6	909100085	1	Skrue
7	302000639	2	Hjul Ø150
8	47302	2	Låseskive
9	302000701	2	Nav kapsel
10	302000527	1	Filterposer ATTIX 5 (5 stk)

Container 560-21XC, -31XC, 12 GALLON AS/PE, 1

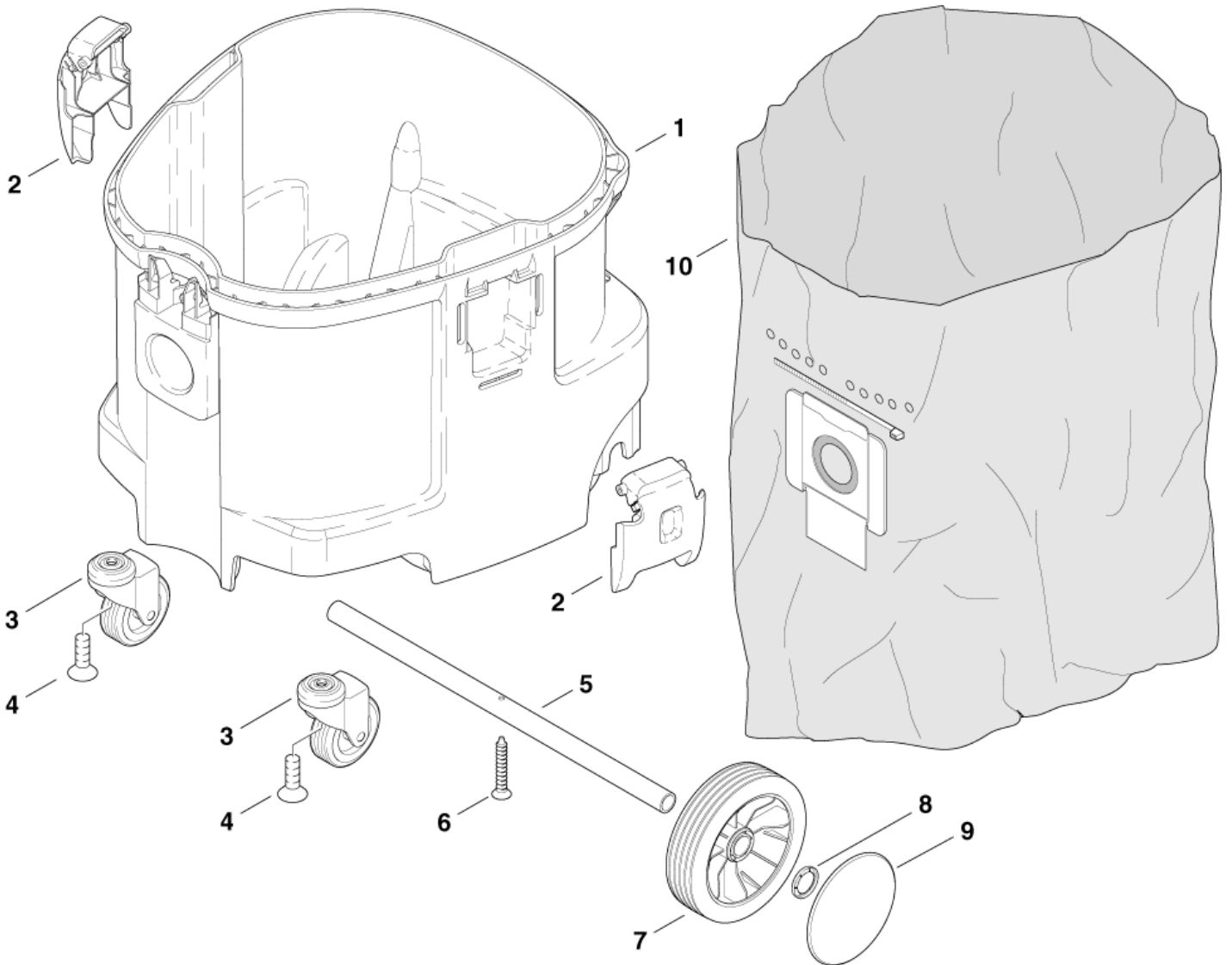
ATTIX 5

14-03-2013

StyMiste ID
ATTIX56010

23

ATTIX 560-21 XC, 560-31 XC, 12Gallon RDFD, 12Gallon AS/PE



Container 560-21XC, -31XC, 12 GALLON AS/PE, 12

ATTIX 5

14-03-2013

StyMiste ID
A11IX56010

24

Pos	Vare nr.	Ant	Beskrivelse
1	302000696	1	Beholder ATTIX 5
2	302000349	2	Lukkeclamp
3	302000682	2	Hjul ATTIX 5
4	909100164	2	Skrue
5	107402649	1	Axle 20X1.5X440
6	909100085	1	Skrue
7	302000639	2	Hjul Ø150
8	47302	2	Låseskive
9	302000701	2	Nav kapsel
10	302000728	1	Plastpose, Åben 5 stk

Container ATTIX 590-21, EC 12 GALLON AS/

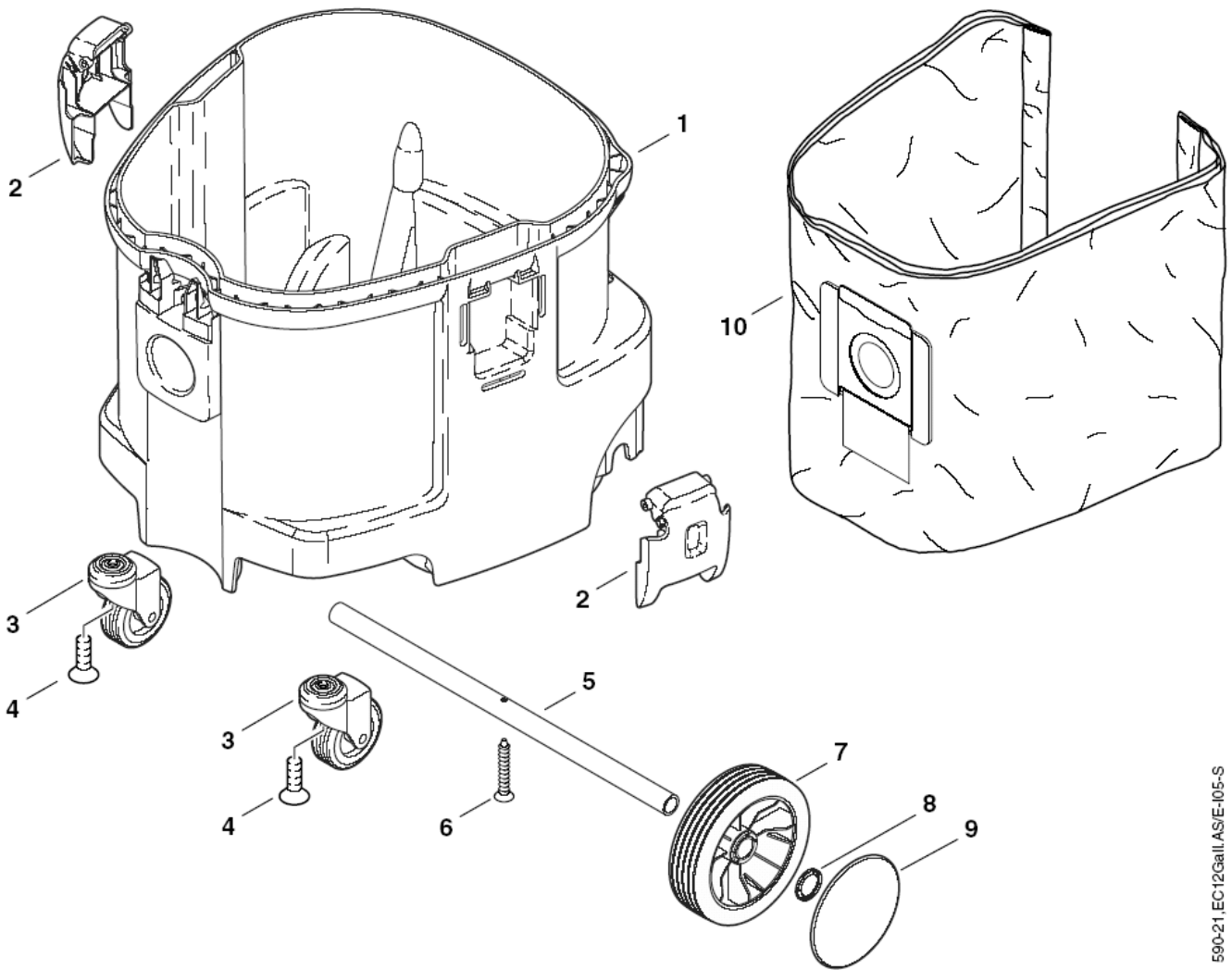
ATTIX 5

14-03-2013

StyMiste ID
ATTIX59010

25

ATTIX 590-21, EC 12 Gallon AS/E



Container ATTIX 590-21, EC 12 GALLON AS/E

ATTIX 5

14-03-2013

StyMiste ID
A11IX59010

26

Pos	Vare nr.	Ant	Beskrivelse
1	302000696	1	Beholder ATTIX 5
2	302000349	2	Lukkeclamp
3	302000682	2	Hjul ATTIX 5
4	909100164	2	Skrue
5	107402649	1	Axle 20X1.5X440
6	909100085	1	Skrue
7	302000639	2	Hjul Ø150
8	47302	2	Låseskive
9	302000701	2	Nav kapsel
10	302000527	1	Filterposer ATTIX 5 (5 stk)

Handle 550-11 mobil

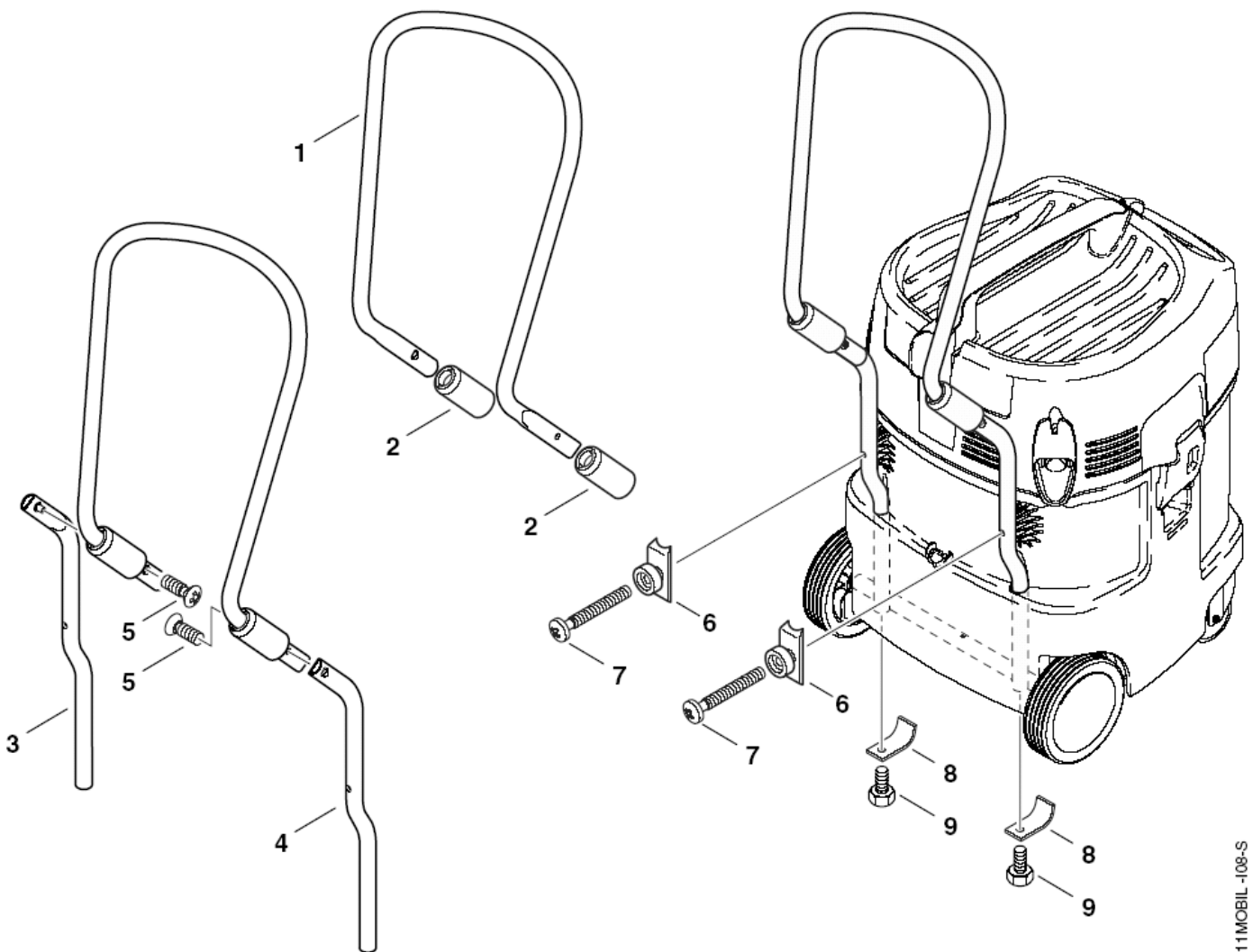
ATTIX 5

14-03-2013

StyMiste ID
ATTIX55014

27

ATTIX 550-11 MOBIL



Handle 550-11 mobil

ATTIX 5

14-03-2013

StyMiste ID
A11IX55014

28

Pos	Vare nr.	Ant	Beskrivelse
1	302001099	1	Handle-Bow
2	302001102	2	Muffe
3	302001100	1	Handlebow Left
4	302001101	1	Handlebow Right
5	5187	2	Countersunk Screw M6X12
6	302000769	2	Bracket 46X20X19
7	909100160	2	Skrue M6X45
8	302001098	2	Laske
9	8917	2	Screw M6X12

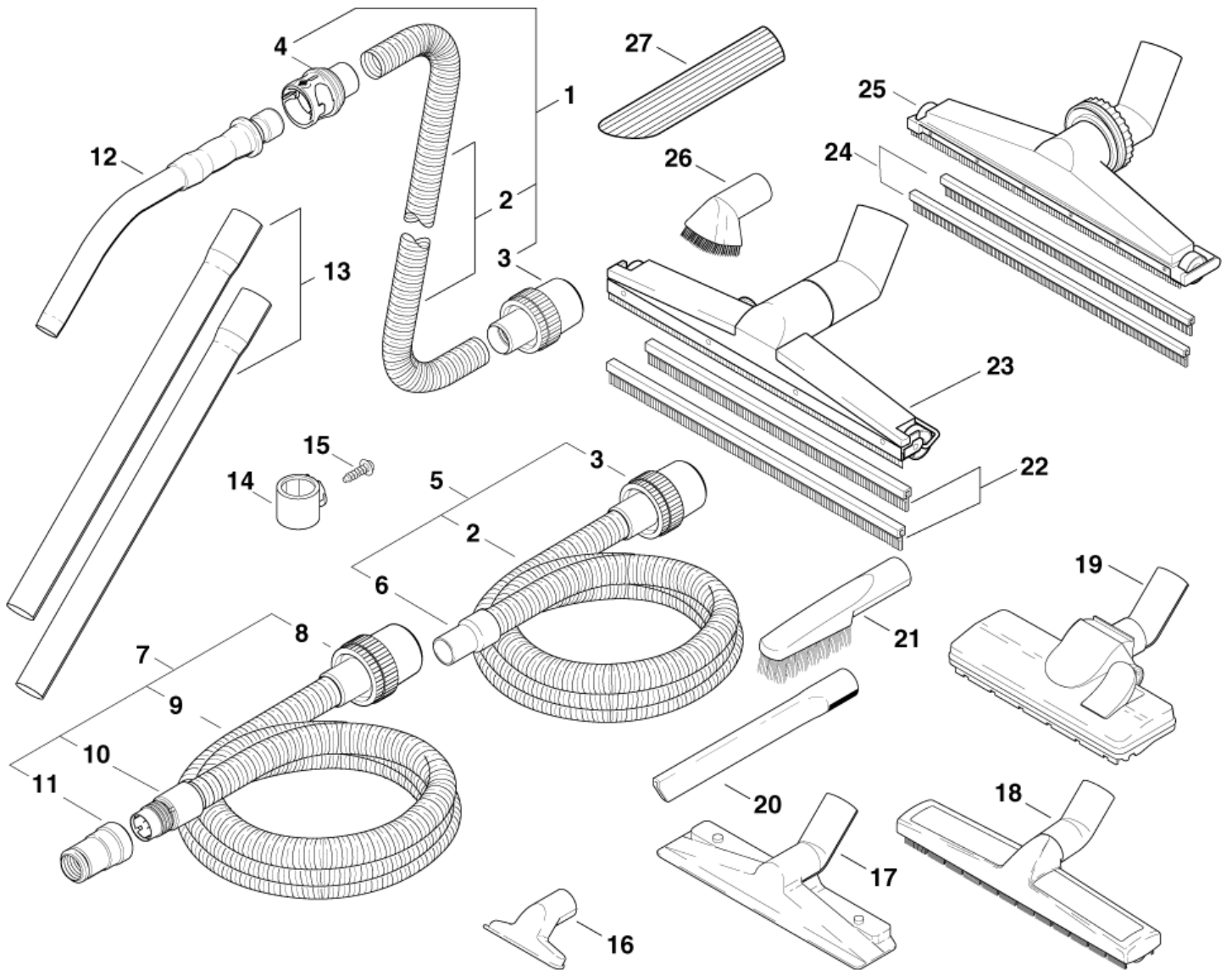
Accessories 550, 751

ATTIX 5

14-03-2013

StyMiste ID
ATTIX55024

29



Accessories 550, 751

ATTIX 5

14-03-2013

StyMiste ID
A11IX55024

30

Pos	Vare nr.	Ant	Beskrivelse	
1	25537	1	Slange Ø36 x 4m m. lynkobling universal	
1	302001677	1	Sugeslange ATTIX 7	751-71
1	46948	1	Sugeslange 3M Ø36	
2	11985	1	Sugeslange Ø36 pr mtr (max 20 mtr)	
2	6429	1	Sugeslange Alu Ø36Mm Pr.M	751-71
3	15102	1	Muffe F. Suger Ø36	
4	302001345	1	Koblingsmuffe Ø36	
5	15805	1	Sugeslange Ø36, 3 Mtr.	
6	11597	1	Muffe F. Rør	
7	15325	1	Sugeslange for gulv værktøj 3,5m Ø27	
8	15369	1	Slangemuffe Antistat Ø27	
9	15326	1	Sugeslange Ant. Ø27 Pr.M	
10	63509	1	Gevindstykke	
11	107404520	1	Adapter Ø27/36	
12	302000528	1	Rørbøjning Krom Ø36	
12	46691	1	Rørbøjning, Rf Stål Ø36	
13	15546	1	Forlængerrør RF, 2 Stk, Ø36 500mm	
13	302000529	1	Forlængerrør, krom Ø36 2x500mm	
14	26821	1	Tilbehørholder Attix	
14	28546	1	Holder Floor-Nozzle	12GALL.RDF
15	12400	1	Skrue	
16	14295	1	Polstermundstykke M/Børst Ø36 115Mm	
17	5147	1	Gulvmundstykke Alu. 330mm Ø36	
18	302000521	1	Kombimundstykke ATTIX	DRY
18	60356	1	Universalmundstk. Plast 360mm Ø36	WET/DRY
19	302000477	1	Kombimundstykke Ø36 260Mm	
20	6084	1	Fugemundstykke, Plast 300mm Ø36	
21	6086	1	Rundbørste, Plast 230mm Ø36	
22	15352	1	Gummiliste F. 15349	751-71
23	15349	1	Vådsugningsmundstykke Ø36	751-71
24	6114	1	Gummiliste F. 5149	
25	5149	1	Gulvmundstykke, Plast m. højdejust hjul	
26	5146	1	Rundbørste 70mm Ø36	
27	5067	1	Fugemundstykke, Gummi rund Ø36	

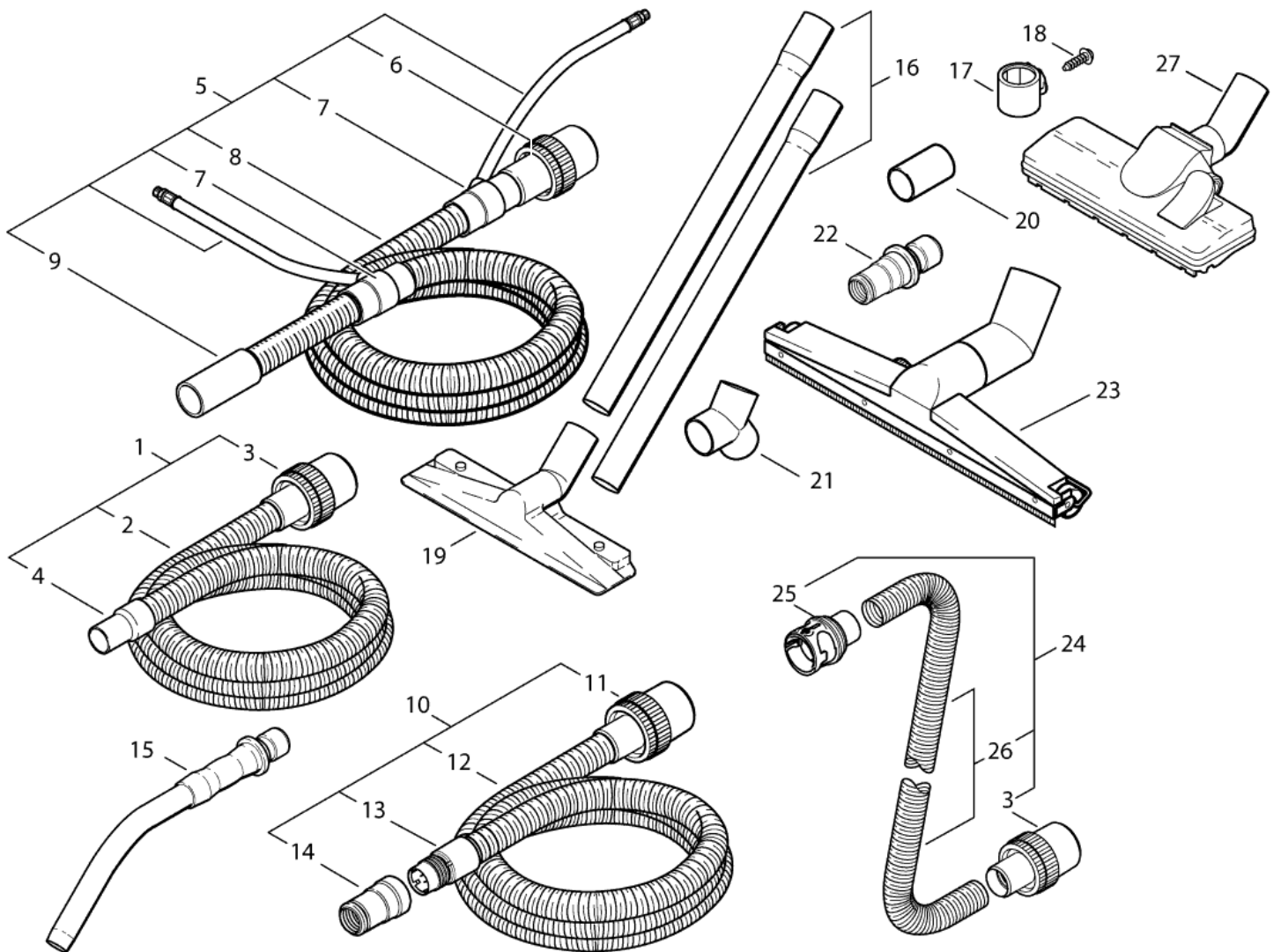
Accessories 560, 761, 763

ATTIX 5

14-03-2013

StyMiste ID
ATTIX56016

31



Accessories 560, 761, 763

ATTIX 5

14-03-2013

StyMiste ID
A11IX56016

32

Pos	Vare nr.	Ant	Beskrivelse
0	302000477	1	Kombimundstykke Ø36 260Mm
1	15805	1	Sugeslange Ø36, 3 Mtr.
2	11985	1	Sugeslange Ø36 pr mtr (max 20 mtr) * SEE NOTE
3	15102	1	Muffe F. Suger Ø36
4	11597	1	Muffe F. Rør
5	26601	1	COAXIAL SUCTION HOSE D32
6	30928	1	Adapt. Antistat Ø32
7	26309	1	HOSE SLEEVE DN32
8	43502	1	Slange Pr. Mtr. Ø 32Mm * SEE NOTE
9	60033	1	HOSE SLEVE 5304-1 DN32
10	15325	1	Sugeslange for gulvværktøj 3,5m Ø27
11	15369	1	Slangemuffe Antistat Ø27
12	15326	1	Sugeslange Ant. Ø27 Pr.M * SEE NOTE
13	63509	1	Gevindstykke
14	107404520	1	Adapter Ø27/36
15	302000528	1	Rørbøjning Krom Ø36
15	46691	1	Rørbøjning, Rf Stål Ø36
16	15546	1	Forlængerrør RF, 2 Stk, Ø36 500mm
16	302000529	1	Forlængerrør, krom Ø36 2x500mm
17	28546	1	Holder Floor-Nozzle
18	12400	1	Skrue
19	5147	1	Gulvmundstykke Alu. 330mm Ø36
20	15953	1	Direkte Tilslutn. Antist.
21	15331	1	Star Distr. Plast Antist.
22	302000535	1	Adaptor F. Værktøj
23	15348	1	Tørsugningsmundstykke 450mm Ø36
24	302001682	1	Sugeslange Ø36X5000 M. Koblinger
25	302001345	1	Koblingsmuffe Ø36
26	15312	1	Sugeslange Ant.Ø36 Pr.Mtr * SEE NOTE
27	302000477	1	Kombimundstykke Ø36 260Mm

* NOTE: PLEASE INDICATE LENGTHS IN METRES WHEN ORDERING

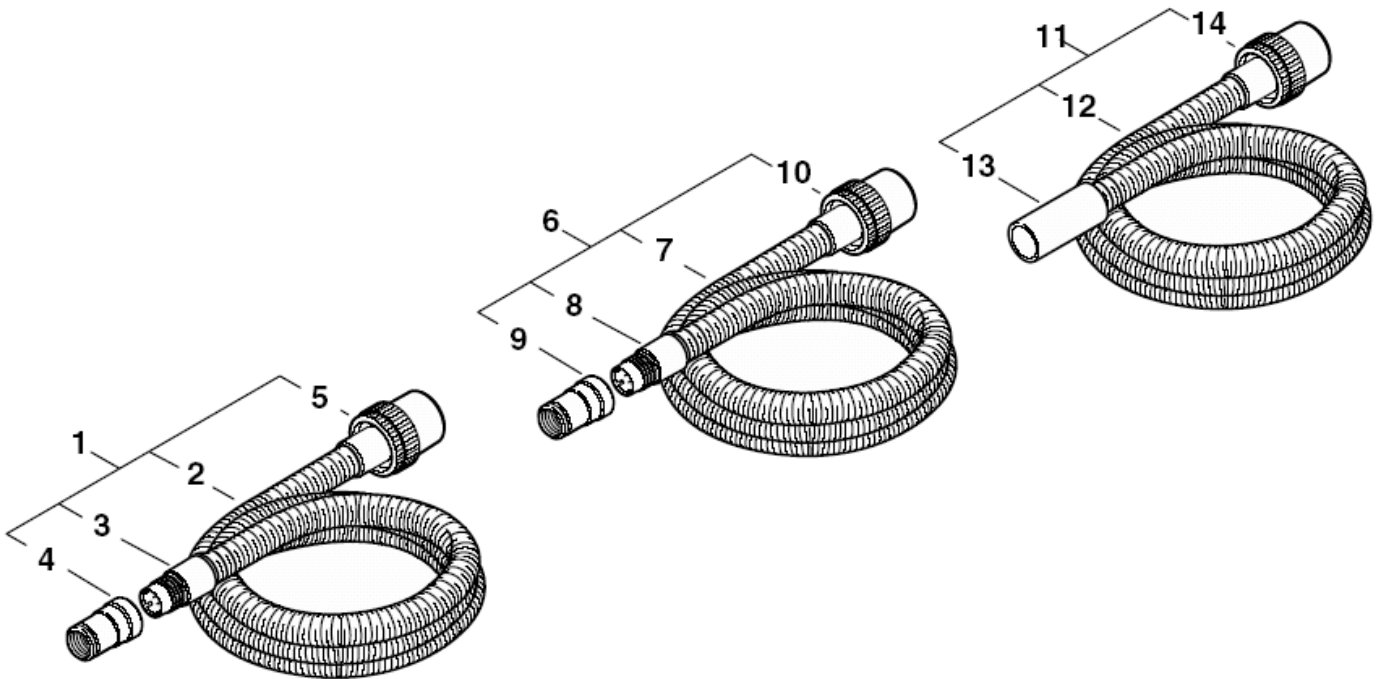
Accessories 590, 791

ATTIX 5

14-03-2013

StyMiste ID
ATTIX59020

33



Accessories 590, 791

ATTIX 5

14-03-2013

StyMiste ID
A11IX59020

34

Pos	Vare nr.	Ant	Beskrivelse	
1	15325	1	Sugeslange for gulv v ærktøj 3,5m Ø27	590-21, 791-21
2	15326	1	Sugeslange Ant. Ø27 Pr.M	590-21, 791-21
3	63509	1	Gev indsty kke	590-21, 791-21
4	107404520	1	Adapter Ø27/36	590-21, 791-21
5	15369	1	Slangemuffe Antistat Ø27	590-21, 791-21
6	48132	1	Sugeslange Ø27 3,5M	791-2M/B1
7	15326	1	Sugeslange Ant. Ø27 Pr.M	791-2M/B1
8	63509	1	Gev indsty kke	791-2M/B1
9	107404521	1	TOOL ADAPTER D27/36-24 TYPE 22	791-2M/B1
10	48068	1	HOSE SLEEVE Ø 27 B1	791-2M/B1
11	302000693	1	SUCTION HOSE D32X5000 EL.CONDU	EC 12 GALLON AS/E
12	43502	1	Slange Pr. Mtr. Ø 32Mm	EC 12 GALLON AS/E
13	14682	1	Slangemuffe	EC 12 GALLON AS/E
14	30928	1	Adapt. Antistat Ø32	EC 12 GALLON AS/E

ANBEFALEDE RESERVEDELE

ATTIX 5

14-03-2013

StyMiste ID
ATTIX55030

35

Ingen tegning

ANBEFALEDE RESERVEDELE

ATTIX 5

14-03-2013

StyMiste ID
A11IX55030

36

Pos	Vare nr.	Ant	Beskrivelse	
0	302000460	1	Tætning F. Filter Attix	
1	107400267	1	Cord H05Rr-F 3G1.0 Ch	CH
1	107400270	1	CORD H05RR-F 3G1.5 BS1 363 GB	GB,230V
1	107400271	1	CORD H07BQ-F 3G2.5 GB	GB,110V
1	107400574	1	CORD H05BQ-F 3G1.0 CEE GB 110	GB
1	107402619	1	SCREENING FILTER KIT	590-21, 791-21, 791-2M/B1EUGB,230V
1	107402622	1	FLOW SENSOR KIT	
1	107402629	1	MOTOR TURBINE 1000W 100/120V	EC 12GALLON AS/E, 791-2M/B1GB,110V
1	107402635	1	Electromagnet 24V Kit	FOR 220-240V
1	107402638	1	Plate Chuck Attix 550 Pp Kit	590-21, EC 12GALLON AS/E, 791-21
1	107402639	1	Monteringsplade	
1	107402641	1	Power Cord H05Rr-F 3G1.5X 8X2	EU -590-21, 791-21
1	107402642	1	Elkabel	DK
1	107402646	1	Filter Support Cage ATTIX Pp	
1	107402651	1	Holder For Filter	
1	107402653	1	Bundplade F/Filter	
1	107402842	1	OUTLET 2P AND PE 16A 110V	GB,110V
1	11379	1	Hose Ø3X1,5	SEE NOTE**
1	11753	1	Filter Aero/Sq 550/Sq 650	ZA
1	14808	1	COUPLING FEMALE G1/4	560-31XC
1	14809	1	COUPLING MALE G1/4	560-31XC
1	26774	1	"Kulsæt ""M"" "	FOR IDENTIF.LETTER M
1	26775	1	"Kulsæt ""L"" "	FOR IDENTIF.LETTER L
1	26783	1	MOTOR 100V 1200W	100V/1200W
1	26784	1	Motor 120V 1200W	110-120V/1200W
1	26785	1	MOTOR 120V 1000W	120V/1000W
1	28875	1	"Motorpakningssæt ""L""+"M"" "	FOR IDENTIF.LETTER L+M
1	29205	1	SEAL	FOR IDENTIF. LETTER L+M
1	302000217	1	ELECTROMAGNET 12V	FOR 100-120V
1	302000349	1	Lukkeclamp	
1	302000372	1	Plade ATTIX 5	
1	302000373	1	Luftfordeler ATTIX 5	
1	302000385	1	Filterhus	
1	302000386	1	Luftkanal	
1	302000387	1	Flap	
1	302000430	1	POWER CORD H05RR-F 3G0.75X8.0	EU
1	302000432	1	POWER CORD H05RR-F 3G0.75X8.2M SNV -CH	CH
1	302000433	1	Power Cable Dk	DK
1	302000434	1	POWER CORD H05RR-F 3G0.7	AU
1	302000435	1	POWER CORD SJTW-A AWG18/3X8.2M NEMA -US	US
1	302000490	1	Filterelement PUR M-klasse	
1	302000511	1	Plade	
1	302000512	1	Krog F.Filterholder ATTIX	

* NOTE: 220-240V, 550-11 MOBIL, 751-11*EU*DK*CH*GB,230V*

** NOTE: PLEASE INDICATE LENGTHS IN METRES WHEN ORDERING

ANBEFALEDE RESERVEDELE

ATTIX 5

14-03-2013

StyMiste ID
A11IX55030

37

Pos	Vare nr.	Ant	Beskrivelse	
1	302000527	1	Filterposer ATTIX 5 (5 stk)	
1	302000627	1	ELECTRONIC 110-120V SET1	100-120V, 12GALL.RDF
1	302000628	1	Elektronik M. Drejereg	220-240V, 550-21, 751-21
1	302000637	1	Tætning F. Beholder ATTIX	
1	302000639	1	Hjul Ø150	
1	302000682	1	Hjul ATTIX 5	
1	302000683	1	Stikdåse	DK
1	302000685	1	POWER CORD H05RR-F3G0.75X8.4 S	ZA
1	302000696	1	Beholder ATTIX 5	
1	302000697	1	Gasket Filter	
1	302000728	1	Plastpose, Åben 5 stk	
1	302000751	1	Filterelement L+M Set	
1	302000825	1	ELECTRONIC SOFT START 100-	100-120V
1	302000826	1	Elektronik	SEE NOTE*
1	302000833	1	Electronics Ec-3 230V Set	590-21, 791-21, 791-2M/B1EUGB,230V
1	302000852	1	ELECTRONIC 120V SET1	100-120V
1	302000853	1	Print 230V Sæt	220-240V
1	302001185	1	SOCKET 10A/250V AU	AU
1	302001424	1	ELECTRONIC EA.W.SPEED EC	EC 12GALLON AS/E
1	302001425	1	Electronic Ea.W.Speed Ec	590-21, 791-21
1	302001430	1	ELECTRONIC EC 110V SET-1	EC 12GALLON AS/E, 791-2M/B1GB,110V
1	302001546	1	Pakning	791-21, 791-2M/B1
1	302001641	1	ADAPTOR SUBASSEMBLE	751-01, 751-11, 751-21, 19GALL.
1	302001678	1	AIR MANIFOLD ASSY. SET	19GALLON AS/PE2
1	302004034	1	Stikdåse 16A/250V Eu	EU -590-21, 791-21
1	302004332	1	POWER CORD US	US -EC 12GALLON AS/E
1	302004333	1	POWER CORD AU	AU
1	302004336	1	SOCKET 13A/250V GB	GB,230V
1	302004337	1	SOCKET 10A/250V CH	CH
1	302004338	1	SOCKET 15A/125V US/CSA	US-EC 12GALLON AS/E
1	42538	1	"Motorpakningssæt "C" "	FOR IDENTIF. LETTER C
1	47035	1	COLLAR 55 SHORE A EPDM	12GALL., 12GALL. RDF, 19GALL.
1	47036	1	Gummipakning	
1	47302	1	Låseskive	
1	47364	1	PACKING RING 108X86X18	
1	48333	1	FINE-WIRE FUSE 6.3X32 10	590-21, 791-21, 791-2M/B1EUGB,230V
1	49594	1	Motor 220V Sq	220-240V/1200W
1	49625	1	"Kulsæt "C" "	FOR IDENTIF. LETTER C
1	50598	1	SCREW M5X20	GB,110V
1	60561	1	Sugemotor 220-240V 1200W	590-21, 791-21,, 791-2M/B1EUGB,230V
1	60877	1	BRACKET	
1	61167	1	MOTOR BEARING RING SET EC	FOR IDENTIF. LETTER C
1	61174	1	Jordkabel	

* NOTE: 220-240V, 550-11 MOBIL, 751-11*EU*DK*CH*GB,230V*

** NOTE: PLEASE INDICATE LENGTHS IN METRES WHEN ORDERING

ANBEFALEDE RESERVEDELE

ATTIX 5

14-03-2013

StyMiste ID
A11IX55030

38

Pos	Vare nr.	Ant	Beskrivelse
1	62359	1	GASKET 9X4X1
1	64937	1	SCREENING FILTER EC 12GALLON AS/E, 791-2M/B1GB,110V
1	65058	1	FINE-WIRE FUSE EC 12GALLON AS/E, 791-2M/B1GB,110V
1	909100164	1	Skrue
1	909100204	1	Drejeknap
5	302000514	1	Pakning
6	302000769	1	Bracket 46X20X19

* NOTE: 220-240V, 550-11 MOBIL, 751-11*EU*DK*CH*GB,230V*

** NOTE: PLEASE INDICATE LENGTHS IN METRES WHEN ORDERING