

# ATTIX 130

---

Model:  
ATTIX 130



Part List US-English

17-08-2013

# Table of Contents

ATTIX 130

<b>Frame</b>	<b>3</b>
<b>Container unit</b>	<b>5</b>
<b>Suction unit</b>	<b>7</b>
<b>Control panel</b>	<b>9</b>
<b>Filter group</b>	<b>11</b>

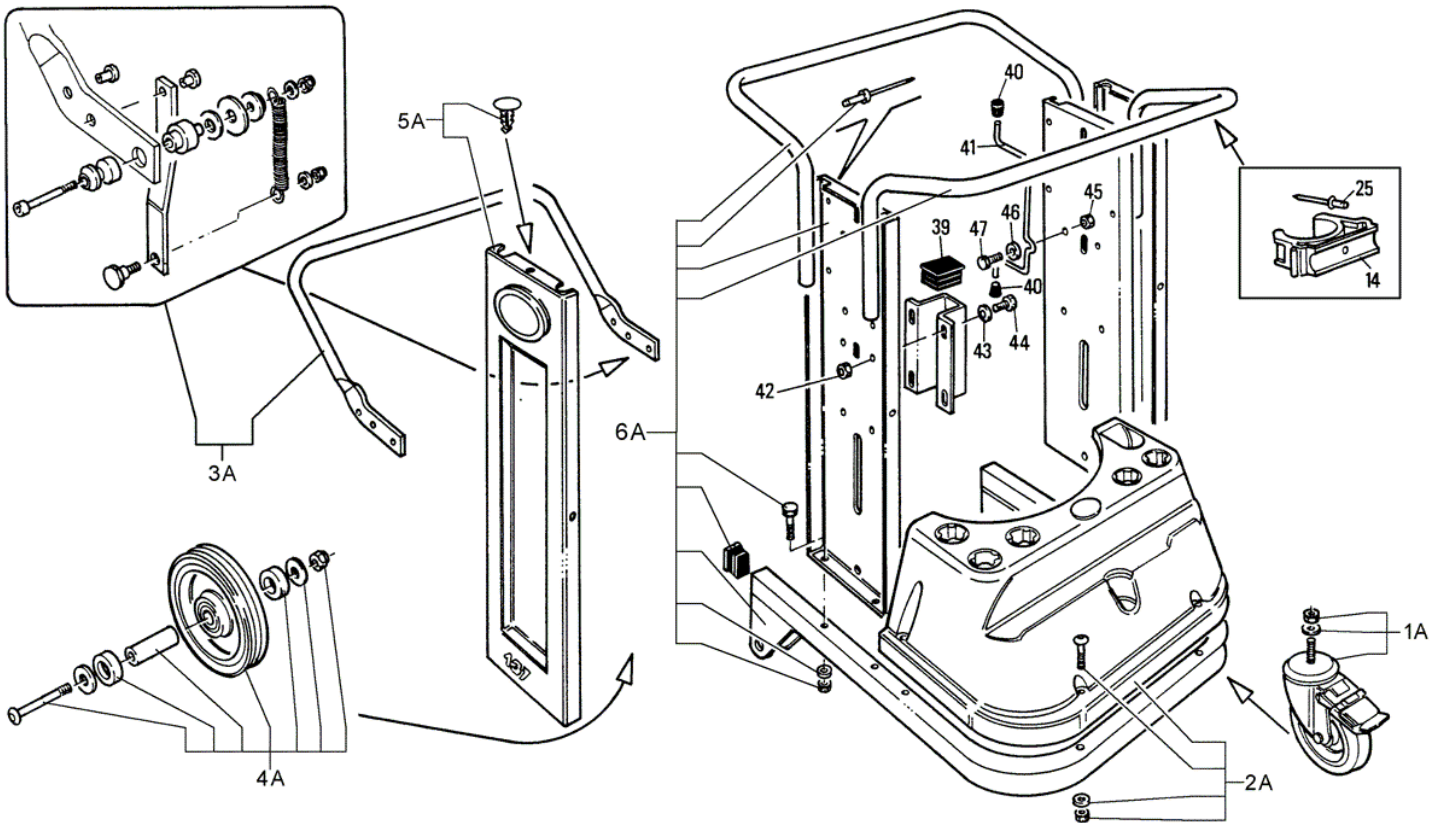
# Frame

ATTIX 130

17-08-2013

Part List ID  
ATTIX13001

3



# Frame

## ATTIX 130

17-08-2013

Part List ID  
A111X13001

4

Pos	Part no.	Qty	Description
14	Z8 40392	1	COLLAR HANDGRIP FIXING
1A	40000490	1	KIT CASTOR D150
2A	40000489	1	KIT FAIRING
39	Z8 40396	2	PLUG 60 x 40 PVC
3A	40000485	1	KIT RELEASE LEVER D460
40	Z8 40407	2	PUSH ROD PVC D.8 x CAB.HOLD.
41	Z8 16177	1	CABLE HOLDER MODEL 137
42		4	NOTE COMMENT Nut M8 UNI 5588 DIN 934
43		6	NOTE COMMENT Washer D.8 UNI 6592 DIN 433
44		6	NOTE COMMENT Screw M8x16 UNI 5739 DIN 933
45		4	NOTE COMMENT Nut M8 UNI 5588 DIN 934
46		2	NOTE COMMENT Washer D.8x24 UNI 6593 DIN 9021
47		2	NOTE COMMENT Screw M8x25 UNI 5739 DIN 933
4A	40000486	1	KIT FIXED WHEEL D150
5A	40000487	1	SIDE PANEL KIT
6A	40000488	1	KIT CAR

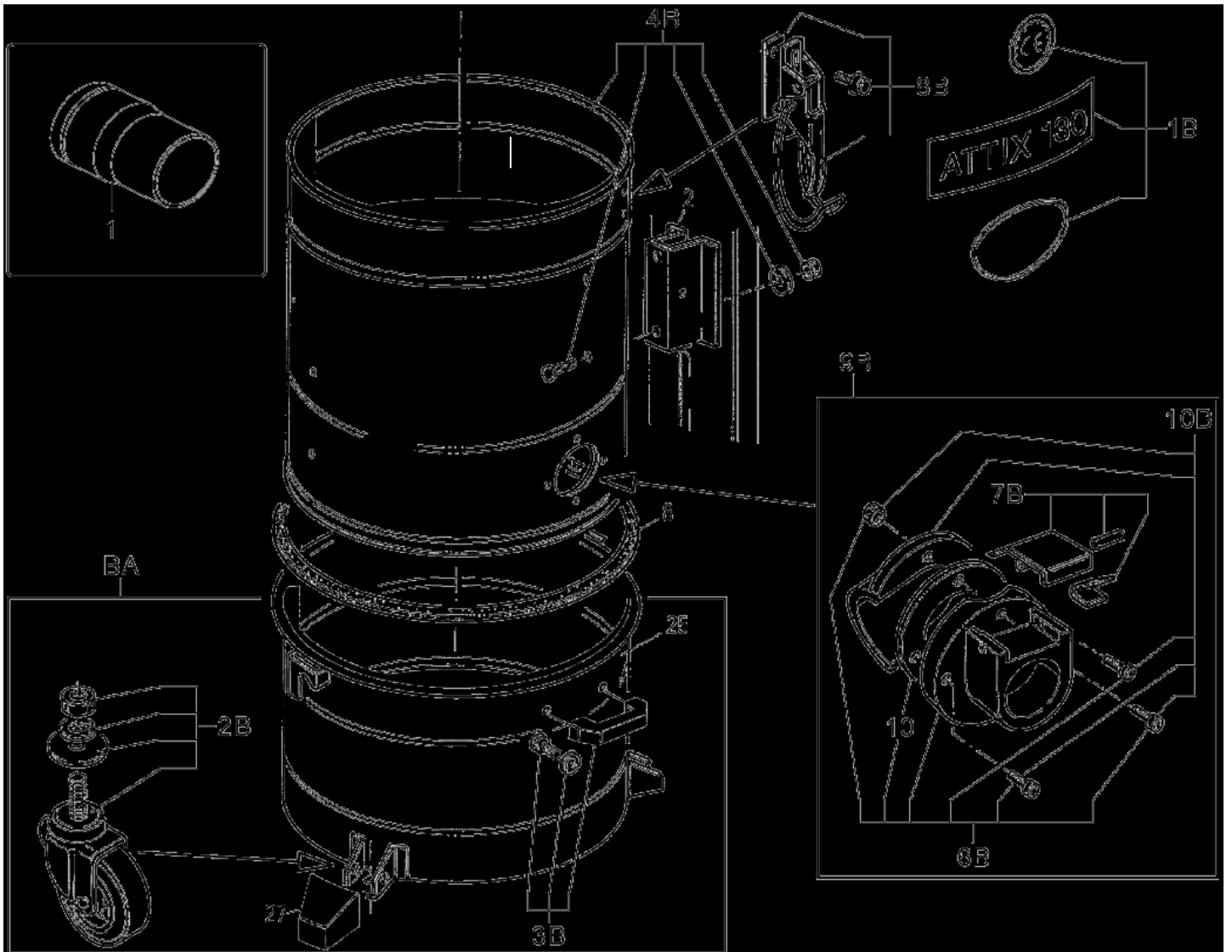
# Container unit

ATTIX 130

17-08-2013

Part List ID  
ATTIX13003

5



# Container unit

ATTIX 130

17-08-2013

Part List ID  
A111X13003

6

Pos	Part no.	Qty	Description
1	4072200392	1	ADAPTOR D70 CFM-ALTO INLET 70 CFM HOSE
2	Z8 14260	2	F.CHAMB.BRACKET D460 FE M.137
8	40000762	1	SEAL
10	Z8 17006	1	INLET SEAL D70
1B	40000494	1	KIT LABELS
25	Z8 30278 5005	1	CONTAINER D460x600 FE LT.100 MOD.3308
27	Z8 17021	4	BUMPER WHEEL HOLDER
2B	40000419	1	KIT CASTORS FOR CONTAINER
3B	40000423	1	KIT HANDLE SS
4B	40000495	1	KIT FILTER CHAMBER D460
6B	40000343	1	KIT INLET FE D70
7B	40000345	1	KIT PUSHBUTTON FOR INLET D70
8B	40000321	1	KIT CAP LOCK FE
9B	40000397	1	KIT COMPLETE INLET FE D70
BA	Z8 30291 5005	1	CONT.D460x600 FE COMPL. LT.100 MOD. 3308
10B	40000395	1	KIT DEFLECTOR D70

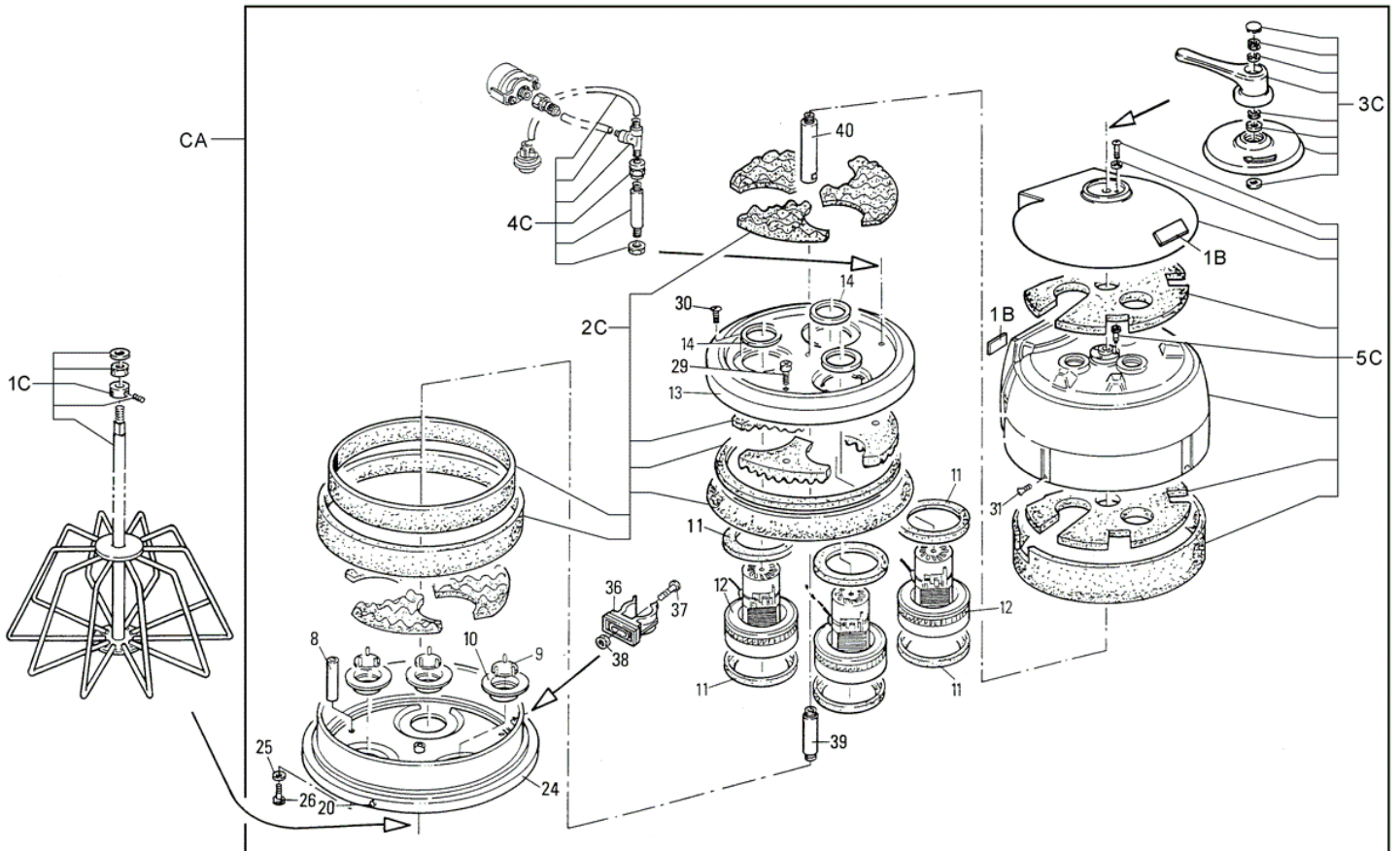
# Suction unit

ATTIX 130

17-08-2013

Part List ID  
ATTIX13005

7



# Suction unit

ATTIX 130

17-08-2013

Part List ID  
A11IX13005

8

Pos	Part no.	Qty	Description
8	Z8 14270	2	SPACER D10 HEAD MOD137
9	Z8 12168	3	BUTTERFLY CLOSING SUCTION
10	Z8 13162	3	CAP BUTTERFLY HEAD
11	Z8 17325	6	SEAL X MOTOR D143
12	40000937	3	MOTOR KIT V230 SEE TSB 32/2011
13	Z8 16179	1	MOTOR FIXER X HEAD D460 137
14	Z8 17326	3	SEAL X MOTOR D80
1B	40000494	1	KIT LABELS
1C	40000360	1	KIT FILTER-SHAKER CAGE
20	Z8 38036	4	THREADED INSERT M6
24	Z8 35049	1	POINTED MOTOR HOLDER MOD.137
25		4	NOTE COMMENT Washer D.6 UNI 6592 DIN 433
26		2	NOTE COMMENT Screw M6x10 UNI 5739 DIN 933
29		2	NOTE COMMENT Screw M6x10 UNI 5739 DIN 933
2C	Z8 17324	1	KIT SOUNDPROOF HEAD 127
30		6	NOTE COMMENT Screw D.4,8x16 UNI 6954 DIN 7981
31		4	NOTE COMMENT Screw M6x10 UNI 7687 DIN 7985
36	Z8 39594	1	FAIRLEAD X HEAD
37		1	NOTE COMMENT Screw M4x8 UNI 7687 DIN 7985
38		1	NOTE COMMENT Nut M4 UNI 5588 DIN 934
39	Z8 14499	1	CENTRAL BUSHING HEAD 127 ROT.FILTER
3C	40000361	1	KIT FILTER-SHAKER LEVER
40	Z8 14508	1	HIGH BUSHING HEAD 127 ROT.FILTER SHAKER
4C	40000362	1	KIT PRESSURE GAUGE CONNECTION
5C	Z8 35128	1	MOTOR-COVER COMPL. HEAD 127- 137
CA	ZS08EN53137	1	COMPLETE MOTORHEAD M 137 DANISH CABLE



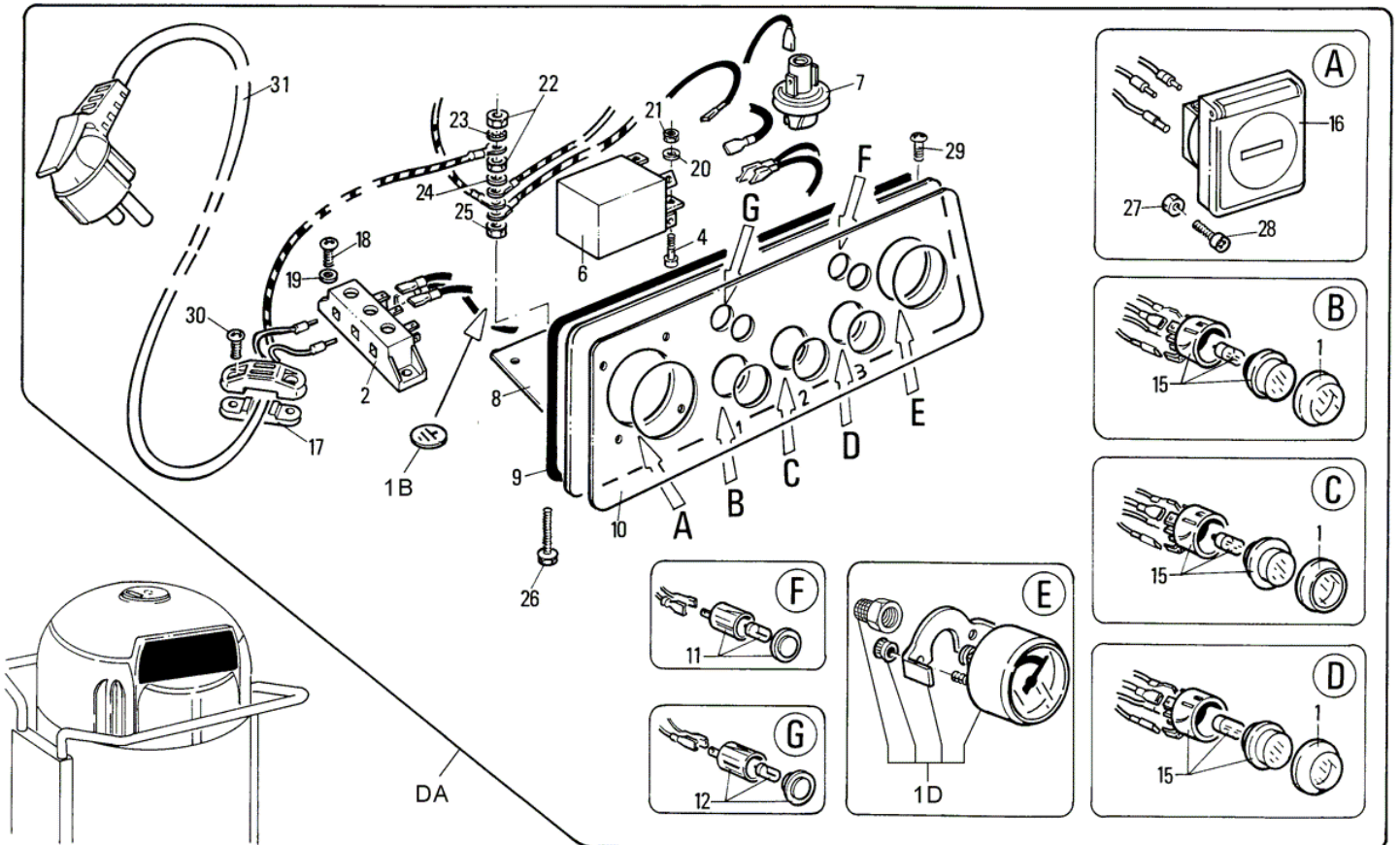
# Control panel

ATTIX 130

17-08-2013

Part List ID  
ATTIX13007

9



# Control panel

ATTIX 130

17-08-2013

Part List ID  
A11IX13007

10

Pos	Part no.	Qty	Description
1	Z8 39531	3	SWITCH PROTECTION D25
2	Z8 39528	1	TERMINAL HEAD 3P
4		1	NOTE COMMENT Screw M4x10 UNI 5931 DIN 912
6	Z8 39533	1	FILTER ANTIJAMMING 16A
7	Z8 40403	1	PRESS.GAUGE X HEAD SET AT 120 MBAR
8	Z8 16182	1	CONTROL PANEL X HEAD 137
9	Z8 17327	1	GASKET PANEL MODEL 127
10	Z8 17336	1	ELECTRIC BOARD PLATE
11	Z8 39530	1	PILOT LIGHT RED x HEAD 137 D16 230V
12	Z8 39526	1	PILOT LIGHT GREEN x HEAD 137 D16 230V
15	Z8 39525	3	LIGHT SWITCH GREEN 2P 16A PUSHB. D.25
16	Z8 39527	1	WALL SOCKET 2P+E 16A 230V IP44 SHUKO
17	Z8 39529	1	CABLE BLOCK x HEAD
18		2	NOTE COMMENT Screw D.3,9x9,5 UNI 6954 DIN 7981
19		2	NOTE COMMENT Washer D.4 UNI 6592 DIN 433
1B	40000494	1	KIT LABELS
1D	40000363	1	KIT VACUUM GAUGE 3000
20		1	NOTE COMMENT Washer D.4 UNI 6592 DIN 433
21		1	NOTE COMMENT Nut M4 UNI 5588 DIN 934
22		2	NOTE COMMENT Nut M5 UNI 5588 DIN 934
23		1	NOTE COMMENT Washer D5 UNI 6592 DIN 433
24		1	NOTE COMMENT Washer D.5 UNI 6592 DIN 433
25		1	NOTE COMMENT Nut M5 UNI 5588 DIN 934
26		1	NOTE COMMENT Screw M5x25 UNI 5739 DIN 933
27		4	NOTE COMMENT Nut M4 UNI 5588 DIN 934
28		4	NOTE COMMENT Screw M4x14 UNI 5931 DIN 912
29		2	NOTE COMMENT Screw D.3,9x9,5 UNI 6954 DIN 7981
30		2	NOTE COMMENT Screw D.3,9x16 UNI 6954 DIN 7981
31	ZS08EN39014	1	CABLE SUP. 3G1,5 NE. SP DN 9M
DA	Z8 41098	1	E.B. x TESTATA 3 MOTORI

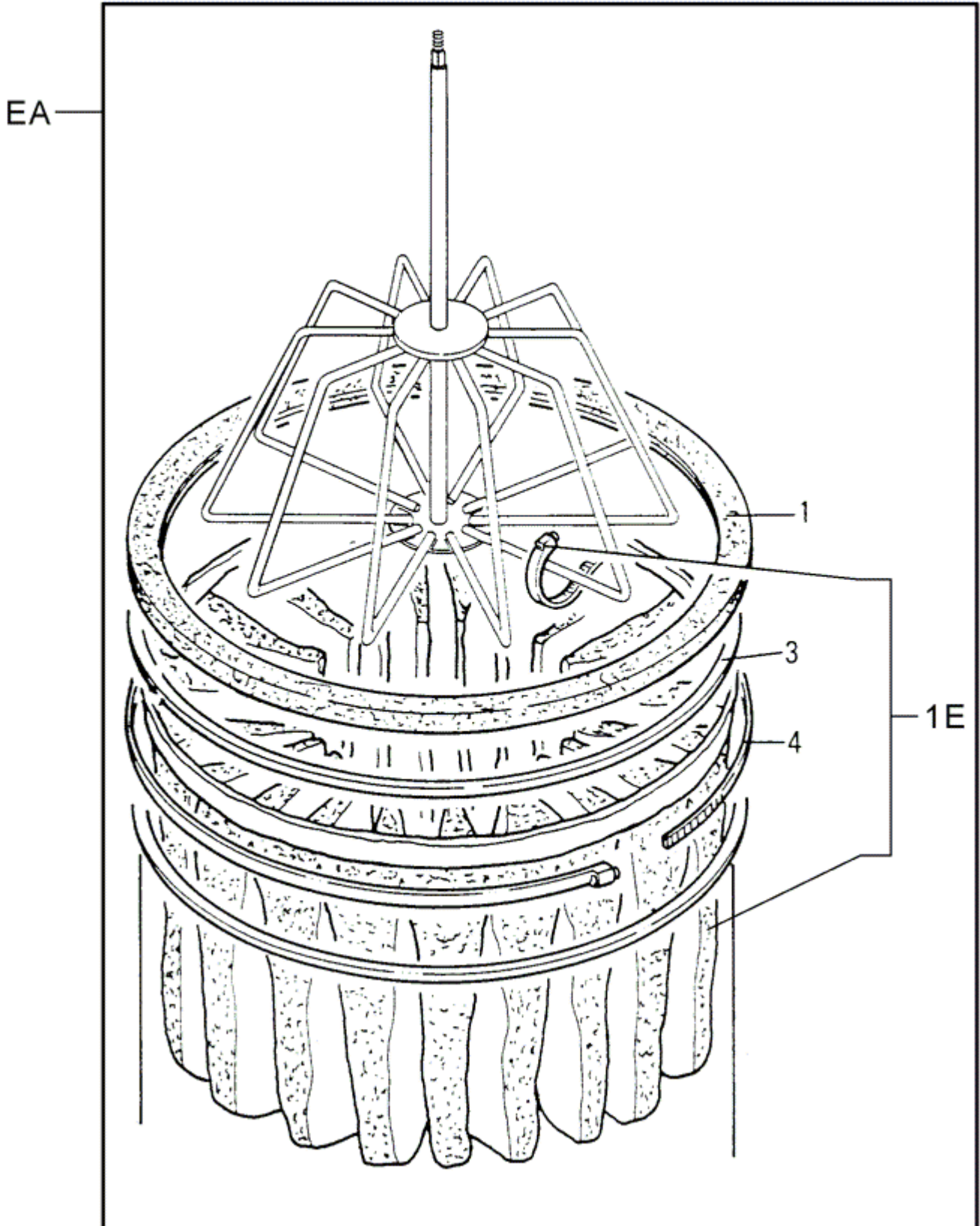
# Filter group

ATTIX 130

17-08-2013

Part List ID  
ATTIX13009

11



# Filter group

ATTIX 130

17-08-2013

Part List ID  
A111X13009

12

Pos	Part no.	Qty	Description
1	Z8 17026	1	FILTER SEAL D460 BLACK
3	Z8 15003	1	FILTER HOLDER RING D460 FE
4	Z8 18079	1	FILTER BLOCK TIE D460
1E	40000338	1	KIT STAR FILTER D460 L CLASS
EA	Z8 33068	1	FILTER COM.ST.D460