

ATTIX 110

Model:
ATTIX 110



Part List English

07-06-2013

Table of Contents

ATTIX 110

Frame	3
Container unit	5
Filter group	7
Motorhead	9

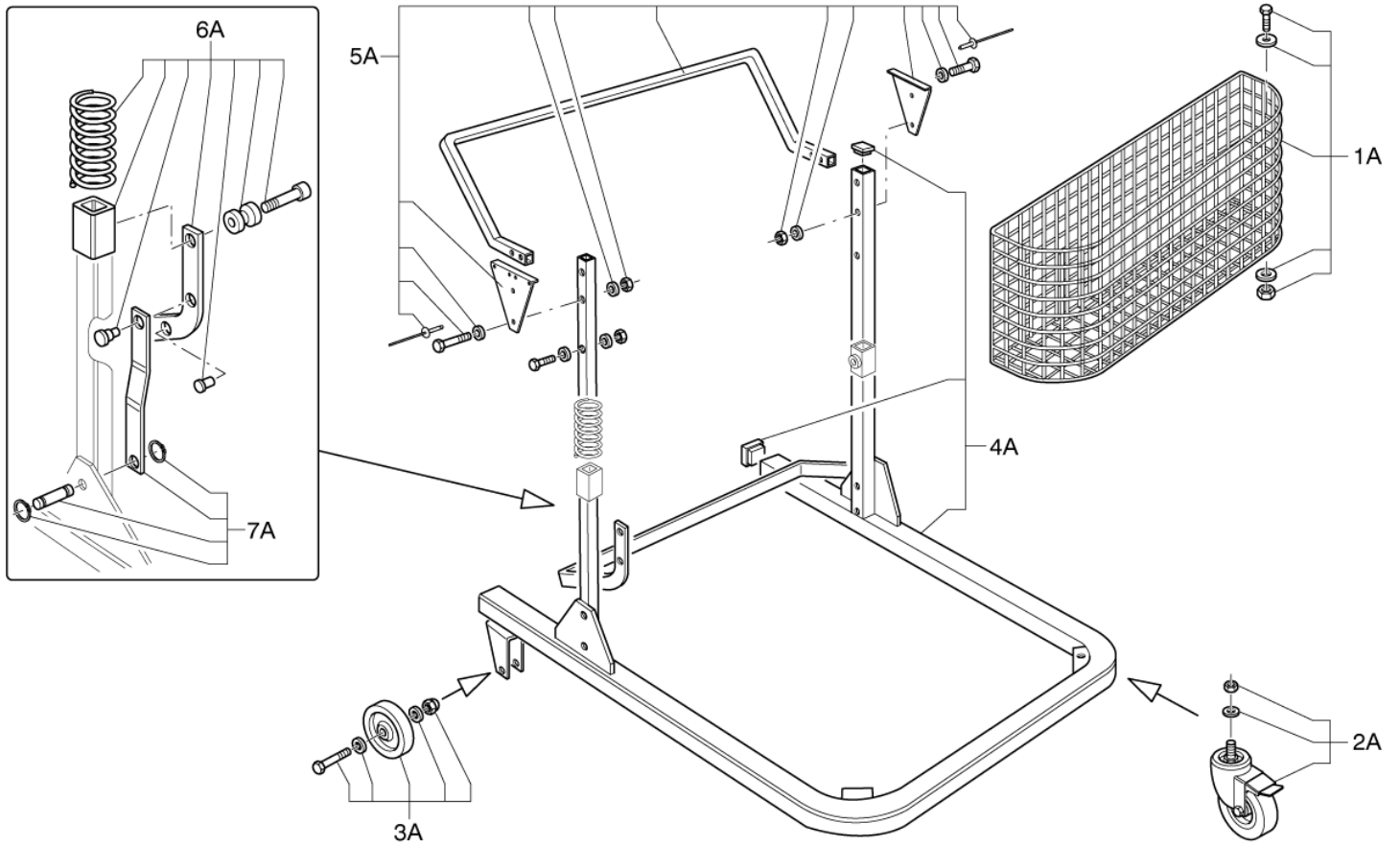
Frame

ATTIX 110

07-06-2013

Part List ID
ATTIX11001

3



Frame

ATTIX 110

07-06-2013

Part List ID
A11IX11001

4

Pos	Part no.	Qty	Description
1A	40000403	1	KIT ACCESSORY HOLDER
2A	40000433	1	KIT REVOLV CASTOR D150
3A	40000434	1	KIT FIXED WHEEL D150
4A	40000474	1	KIT CAR FE
5A	40000475	1	KIT HANDLE FE
6A	40000465	1	KIT RELEASE LEVER FE D460
7A	40000413	1	KIT PUSH LEVER FE D460

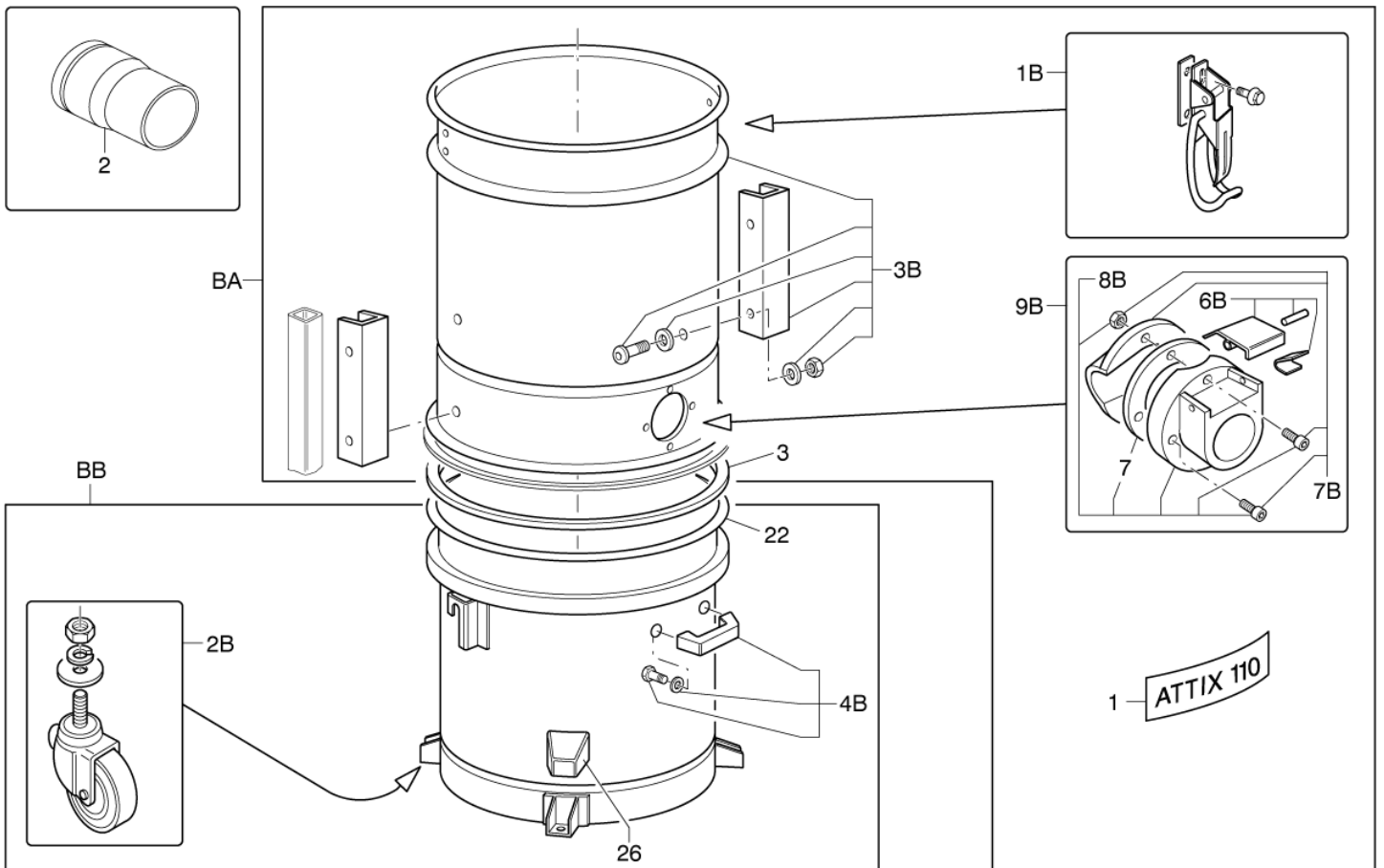
Container unit

ATTIX 110

07-06-2013

Part List ID
ATTIX11003

5



Container unit

ATTIX 110

07-06-2013

Part List ID
A111X11003

6

Pos	Part no.	Qty	Description
1	ZS08AL17169	1	LABEL ATTIX 110 NILFISK ALTO
2	4072200392	1	ADAPTOR D70 CFM-ALTO 70 CFM HOSE
3	40000762	1	SEAL
7	Z8 17006	1	INLET SEAL D70
1B	40000321	1	KIT CAP LOCK FE
22	Z8 30278 5005	1	CONTAINER D460x600 FE LT.100 MOD.3308
26	Z8 17021	4	BUMPER WHEEL HOLDER
2B	40000419	1	KIT CASTORS FOR CONTAINER
3B	40000466	1	KIT FILTER CHAMBER D460 FE
4B	40000423	1	HANDLE
6B	40000345	1	KIT PUSHBUTTON FOR INLET D70
7B	40000395	1	KIT DEFLECTOR D70
8B	40000343	1	KIT INLET DE D70
9B	40000397	1	KIT COMPLETE INET FE D70
BA	Z8 31182 5005	1	FILT.CHAMBER D460x600 FE COMPL
BB	Z8 30291 5005	1	CONT.D460x600 FE COMPL. LT.100 MOD. 3308

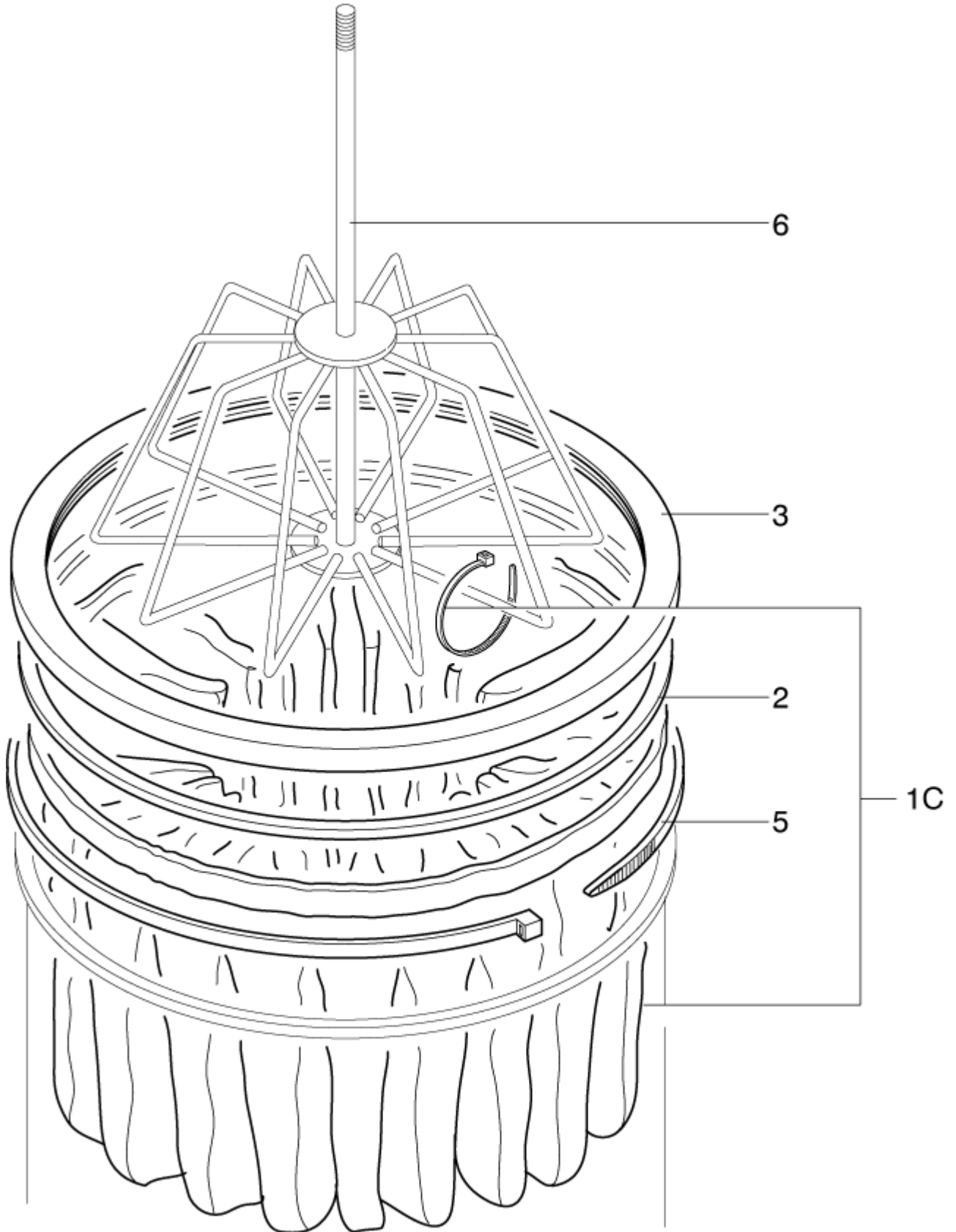
Filter group

ATTIX 110

07-06-2013

Part List ID
ATTIX11005

7



Filter group

ATTIX 110

07-06-2013

Part List ID
A111X11005

8

Pos	Part no.	Qty	Description
2	Z8 15003	1	FILTER HOLDER RING D460 F
3	Z8 17026	1	FILTER SEAL D460 BLACK
5	Z8 18079	1	FILTER BLOCK TIE D460
6	Z8 33093	1	STAR CAGE D460 MOD.317
1C	40000338	1	STAR FILTER KIT D460

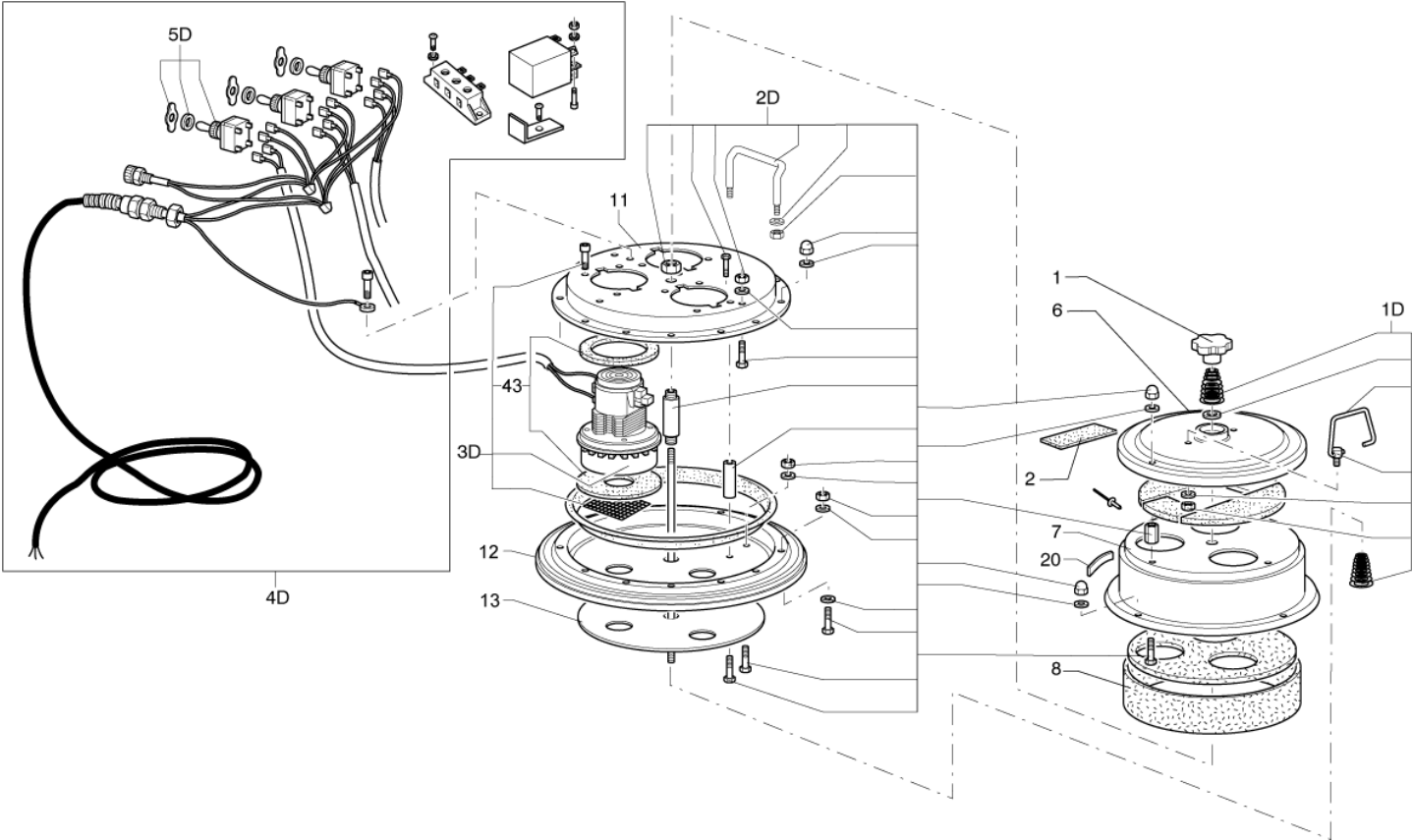
Motorhead

ATTIX 110

07-06-2013

Part List ID
ATTIX11007

9



Motorhead

ATTIX 110

07-06-2013

Part List ID
A111X11007

10

Pos	Part no.	Qty	Description
1	Z8 40027	1	KNOB D70 M12 NO HOLE
2	ZS08AL17167	1	SINGLEPHASE PLATE NILFISK ALTO
6	Z8 35020	1	COVER FOR MOTOR HEAD 460 EL.FIL.SH.
7	Z8 16067 5005	1	MOTOR COVER HEAD D460 3HOLES
8	Z8 17229	1	KIT SOUNDPROOF D460 M.317
11	Z8 16009	1	FIXING MOTOR FOR HANDLE D 3 FL
12	Z8 16004	1	3F MOTOR HOLDER D460
13	Z8 15032	1	FLANGE FOR HEAD
1D	40000473	1	KIT FILTER-SHAKER
20	Z8 17107	1	FILTER SHAKER LABEL
2D	40000472	1	NUTS BOLTS KIT FOR MOTOR ASSEMBLY
3D	40000937	3	MOTOR KIT V230
43	40000470	3	MOTOR SEAL KIT
4D	40000476	1	KIT ELECTRIC INSTAL
5D	40000516	3	Kit switch