

ATTIX 115/125

Model:
ATTIX 115
ATTIX 125



Part List US-English

09-04-2011

Nilfisk
ALTO
Why Compromise

www.nilfisk-alto.com

Table of Contents

ATTIX 115/125

Car 01	3
Car 02	5
Car 03	7
Container unit	9
Float kit	11
Liquid kit	13
Cyclon kit	15
Filter group (Mod. 115)	17
Filter group (Mod. 125)	19
Suction unit	21
Absolute filter	23

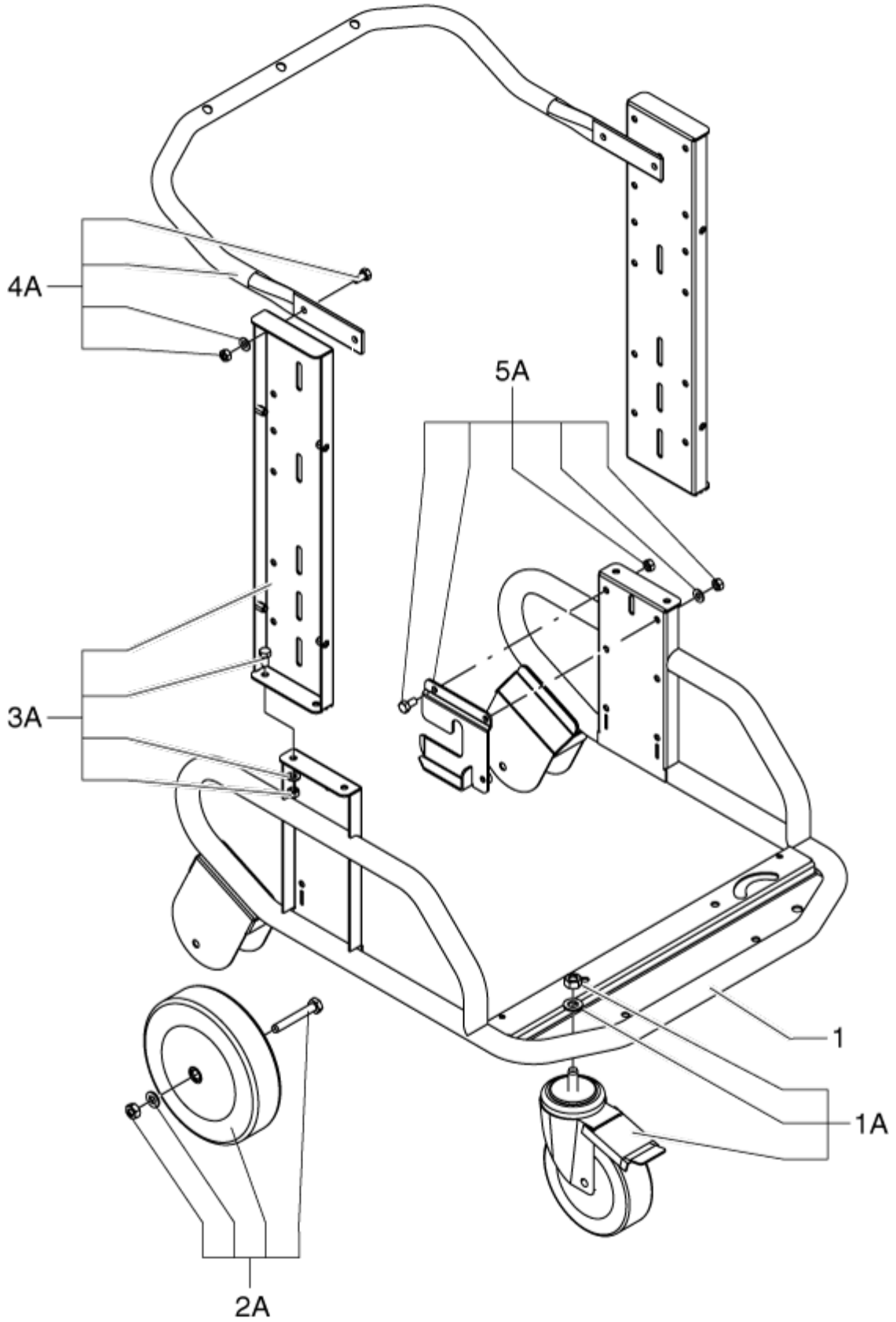
Car 01

ATTIX 115/125

09-04-2011

Part List ID
ATTIX11512501

3



Car 01

ATTIX 115/125

09-04-2011

Part List ID
ATTIX11512501

4

Pos	Part no.	Qty	Description	EAN
1	4083600611	1	TROLLEY FOR MODEL S2-S3 R7016	5711141089
1A	40000874	1	kit revolv. castor D150	5711141089
2A	40000873	1	WHEEL D200 KIT	5711141089
3A	40000871	1	UPRIGHT KIT	5711141089
4A	40000891	1	HANDLE KIT	5711141092
5A	40000872	1	BIN RELEASE KIT	5711141089

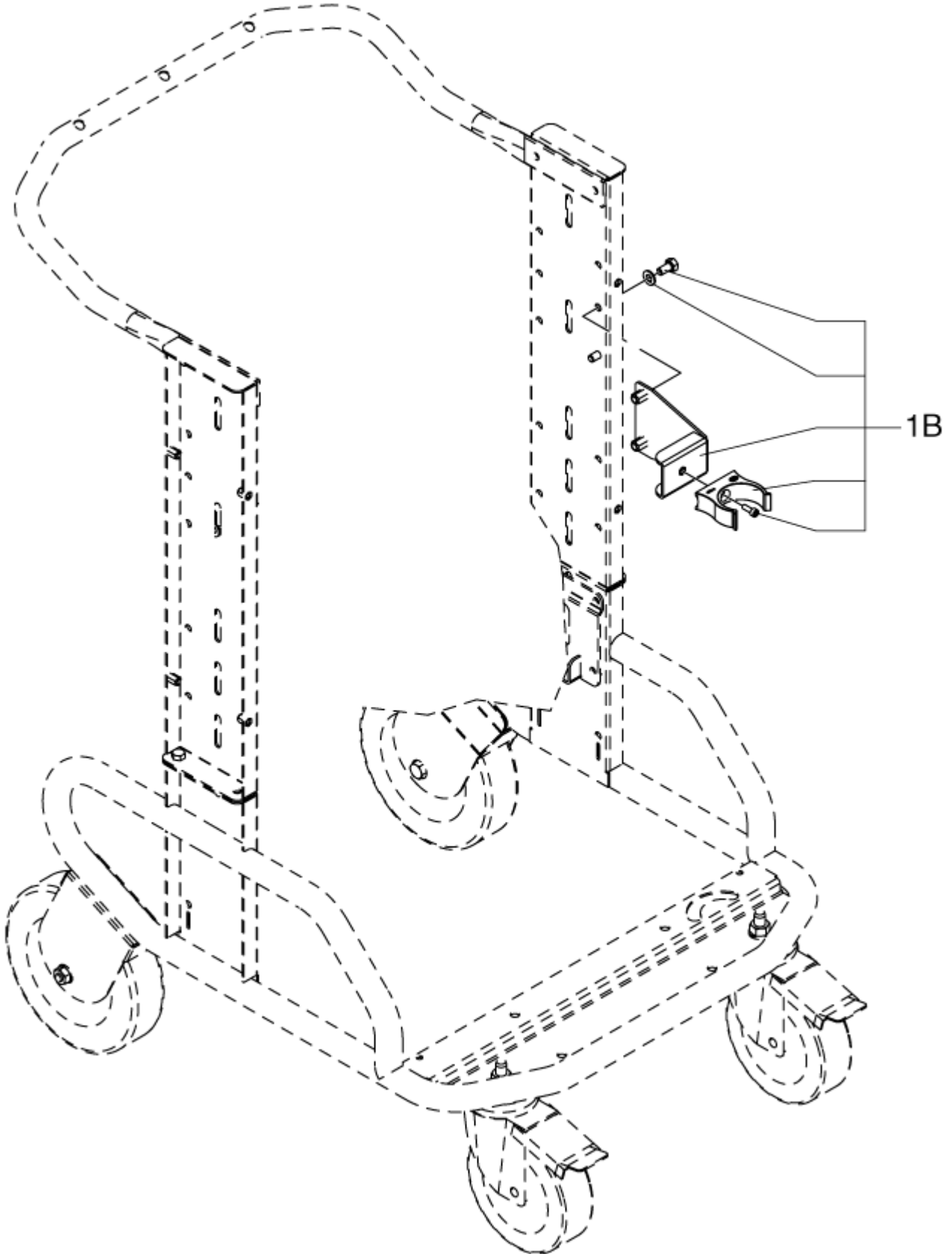
Car 02

ATTIX 115/125

09-04-2011

Part List ID
ATTIX11512503

5



Car 02
ATTIX 115/125

09-04-2011

Part List ID
ATTIX11512503

6

Pos	Part no.	Qty	Description	EAN
1B	40000856	1	HOSE HOLDER KIT	5711141089

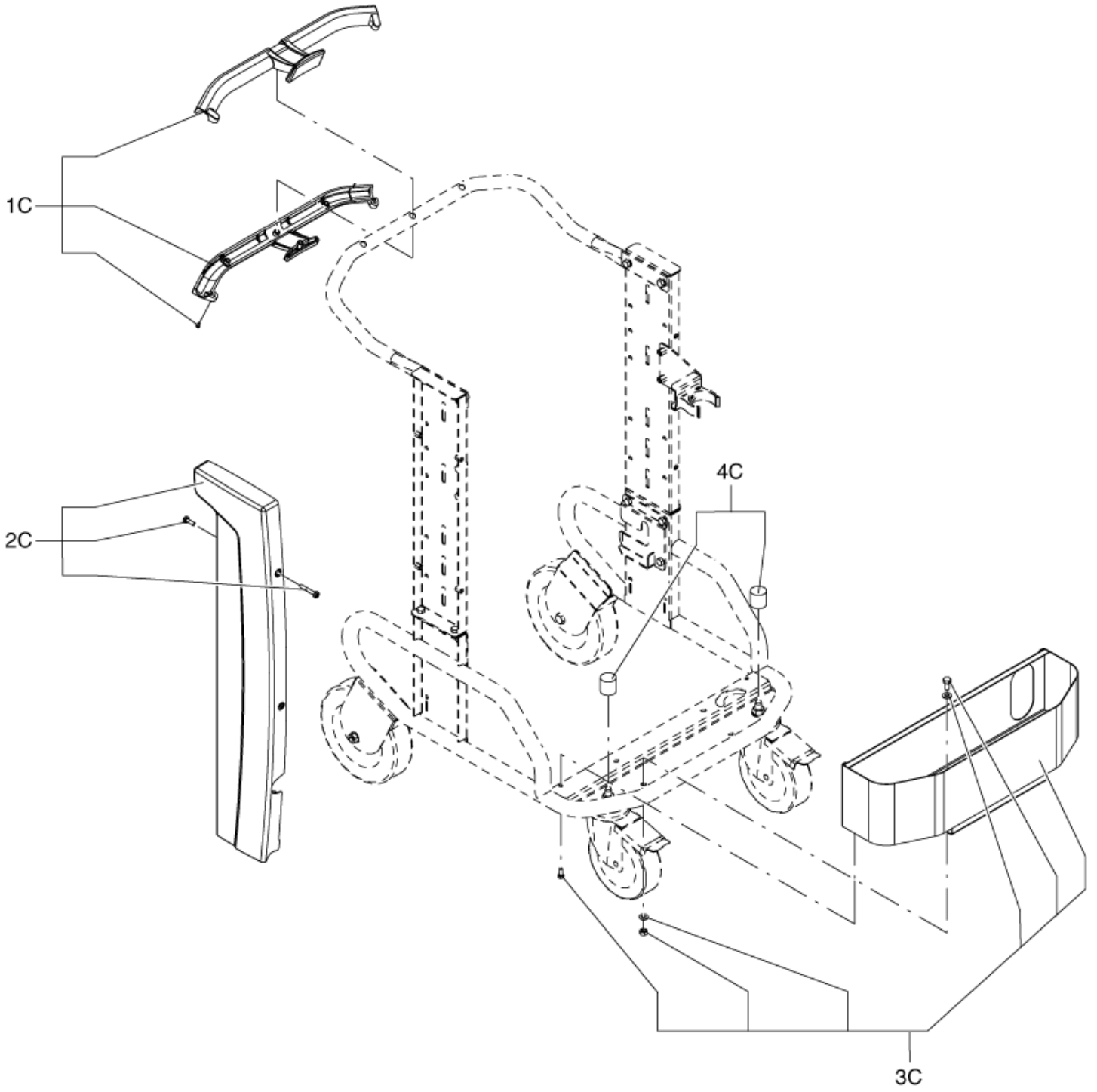
Car 03

ATTIX 115/125

09-04-2011

Part List ID
ATTIX11512505

7



Car 03
ATTIX 115/125

09-04-2011

Part List ID
ATTIX11512505

8

Pos	Part no.	Qty	Description	EAN
1C	40000855	1	HANDLE KIT	5711141092
2C	40000864	1	UPRIGHT PROTECTION KIT	5711141092
3C	40000892	1	COMPARTMENT KIT	5711141092
4C	40000870	1	PROTECTION KIT	5711141089

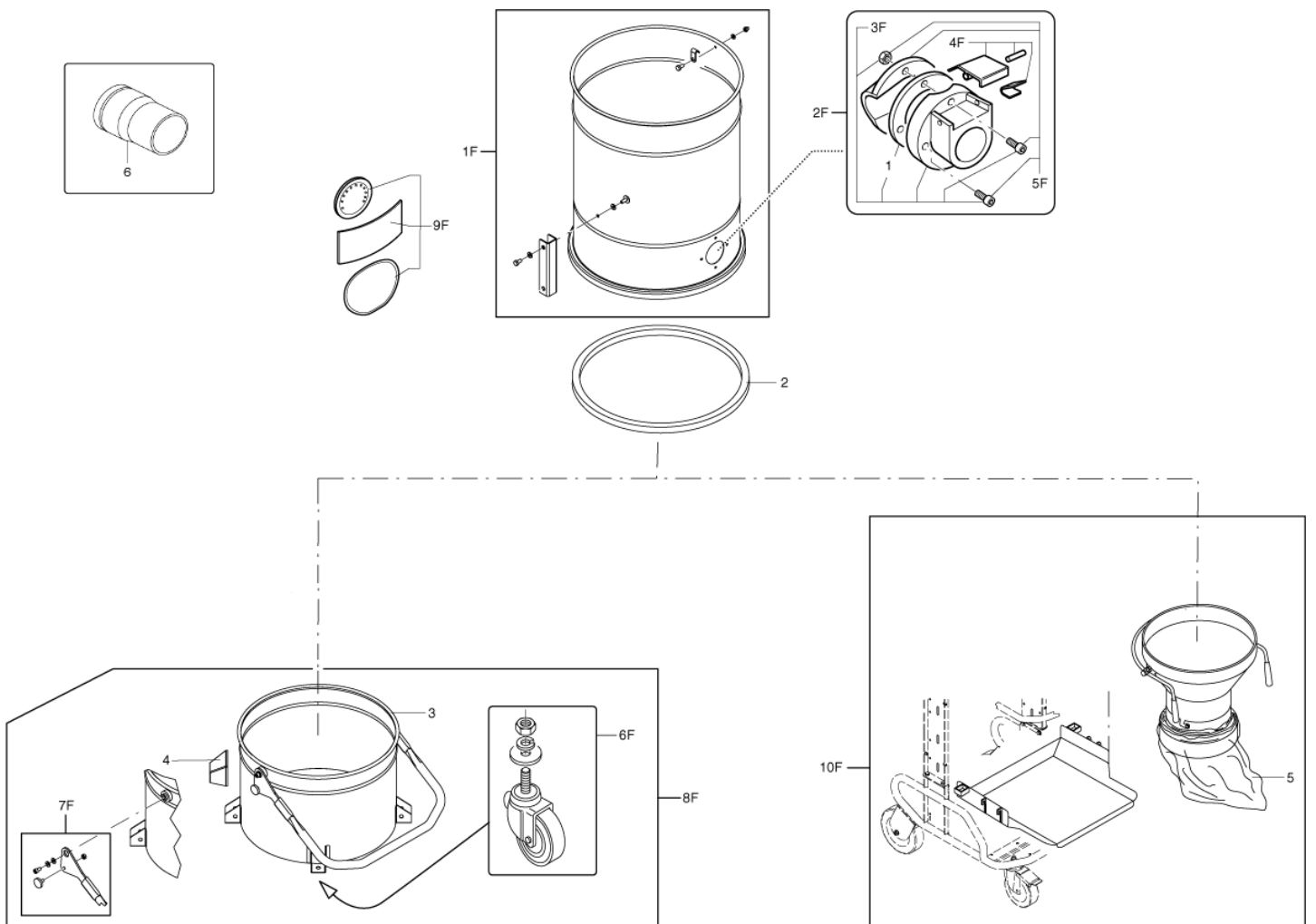
Container unit

ATTIX 115/125

09-04-2011

Part List ID
ATTIX11512507

9



Container unit

ATTIX 115/125

09-04-2011

Part List ID
ATTIX11512507

10

Pos	Part no.	Qty	Description	EAN
1	Z8 17006	1	INLET SEAL D70	5711141051
2	40000762	1	SEAL	5711141017
3	4083000550	1	D460 CONTAINER L100 x M.S3R5005	5711145003
4	Z8 17021	4	BUMPER WHEEL HOLDER	5711141051
5	4084000956	1	MINI PACKAGE 4x20 MT 55 MICRON LONGOPAC	5711141086
5	4084001017	1	PACKAGE OF 5 BAGS D460 LDPE	5711141086
6	4072200392	1	ADAPTOR D70 CFM-ALTO INLET 70 CFM HOSE	5711141032
2F	40000868	1	D70 INLET FULL KIT	5711141089
3F	40000867	1	D70 INLET KIT	5711141089
4F	40000345	1	KIT PUSHBUTTON FOR INLET D70	5711141012
5F	40000395	1	KIT DEFLECTOR D70	5711141013
6F	40000419	1	KIT CASTORS FOR CONTAINER	5711141013
7F	40000879	1	HANDLE KIT L100	5711141092
8F	4083000554	1	D460 COMPL. CONTAINER L100 M.S3R5005	5711145003
9F	40000944	1	STICKER KIT	5711141095
10F	4056000468	1	DISCHARGE KIT MS2-S3-T30S	5711141087

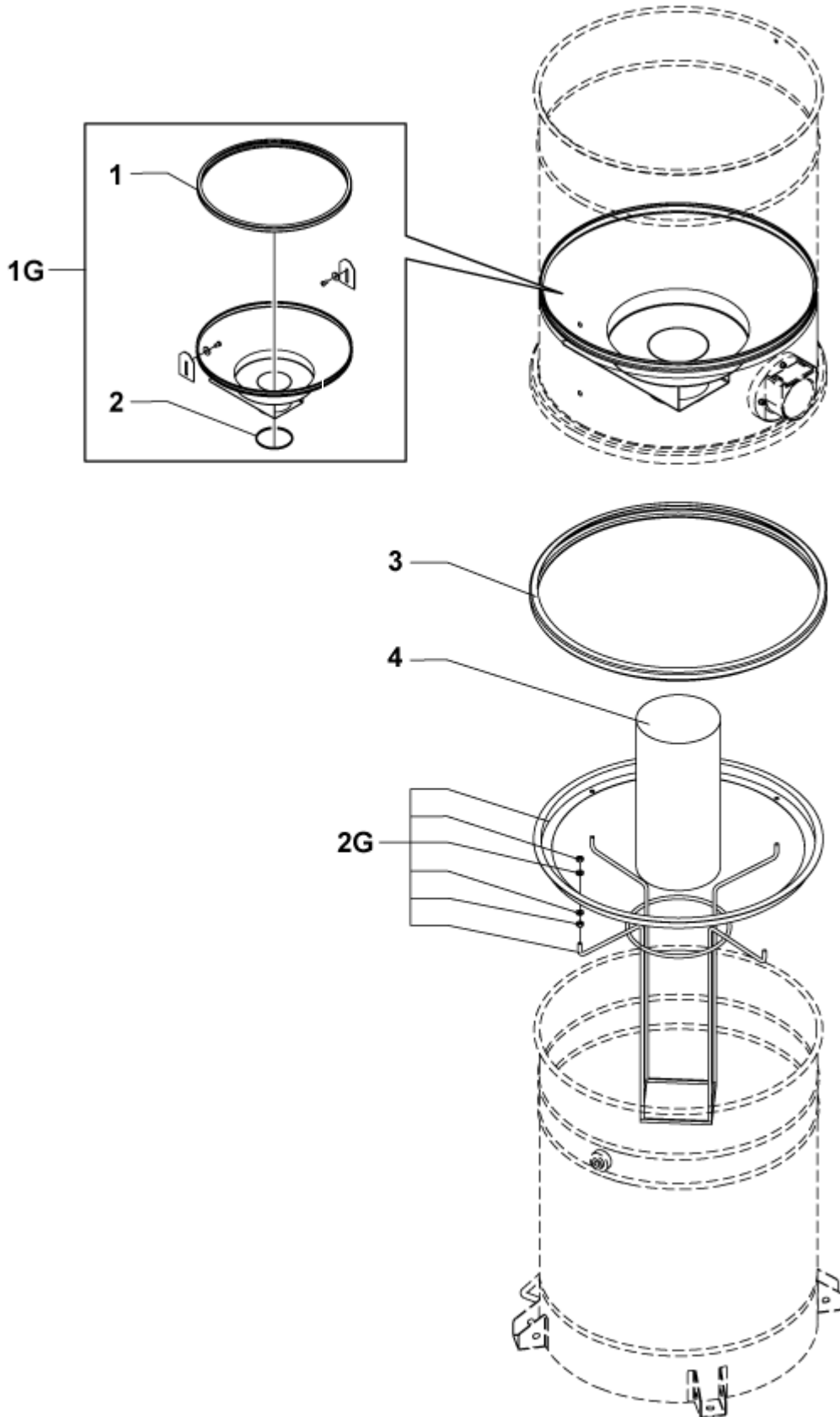
Float kit

ATTIX 115/125

09-04-2011

Part List ID
ATTIX11512509

11



Float kit

ATTIX 115/125

09-04-2011

Part List ID
ATTIX11512509

12

Pos	Part no.	Qty	Description	EAN
1	4081700964	1	D6 SEAL GASKET M.WSS -WST	5711145004
3	4089100013	1	SEAL	5711145003
4	Z8 32144	1	FLOATER D140x300 INOX	5711141062

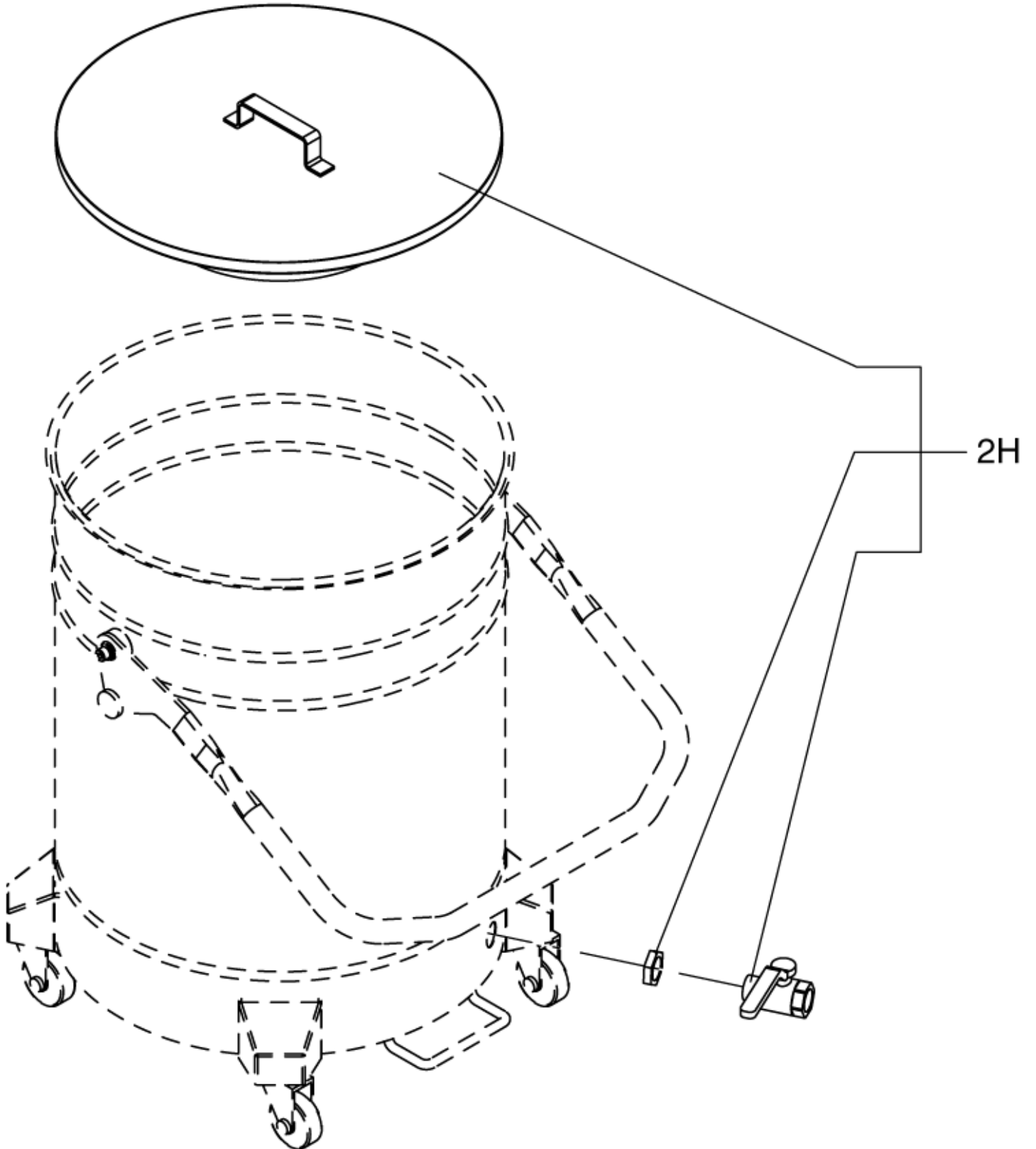
Liquid kit

ATTIX 115/125

09-04-2011

Part List ID
ATTIX11512511

13



Liquid kit

ATTIX 115/125

09-04-2011

Part List ID
ATTIX11512511

14

Pos	Part no.	Qty	Description	EAN
2H	Z5 60034	1	GRID AND VALVE D460 FE COMPLETE	5715492042

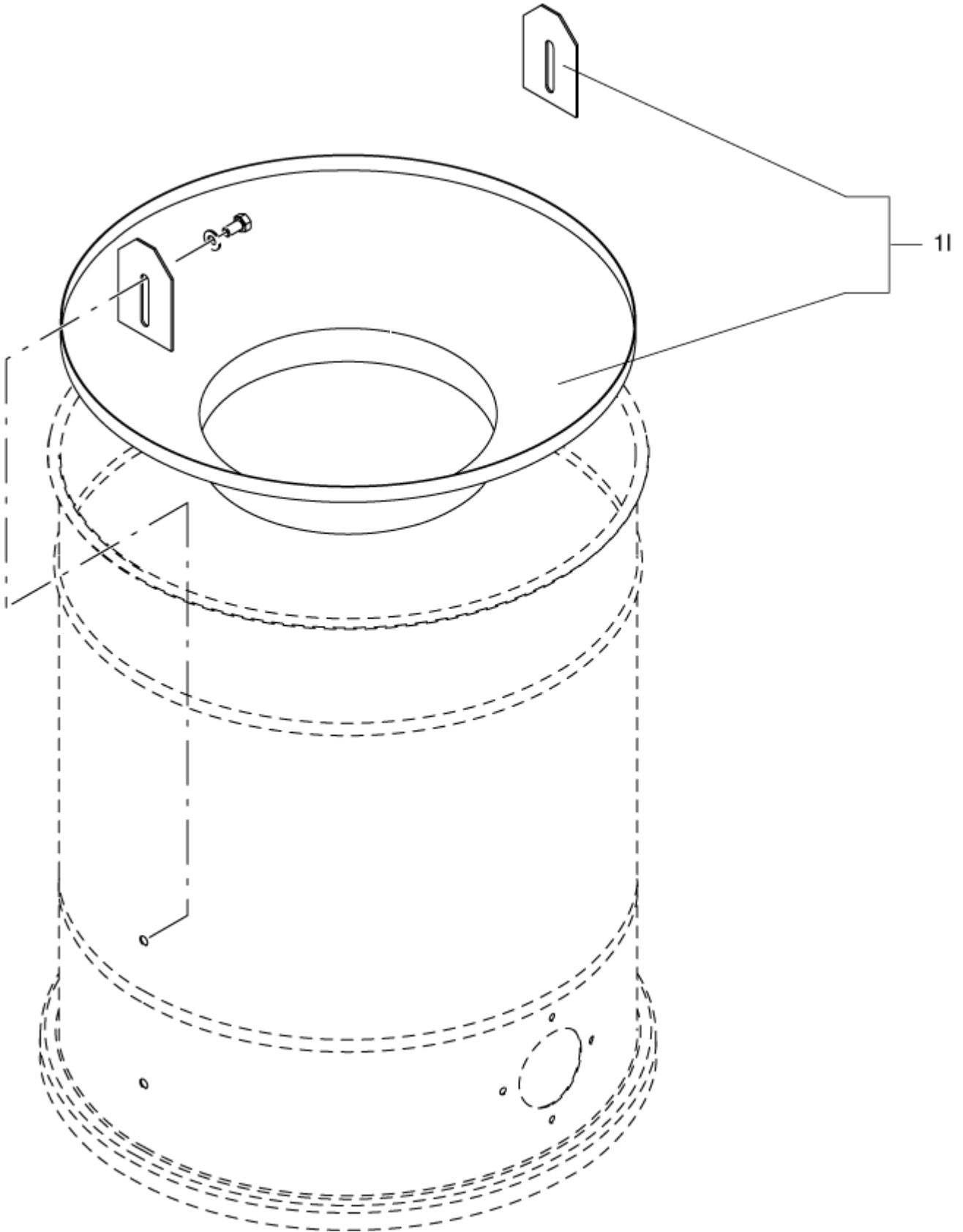
Cyclon kit

ATTIX 115/125

09-04-2011

Part List ID
ATTIX11512513

15



Cyclon kit

ATTIX 115/125

09-04-2011

Part List ID
ATTIX11512513

16

Pos	Part no.	Qty	Description	EAN
11	Z5 60109	1	REMOVABLE CYCLONE D460 FE COMPLETE BIG	5715492042

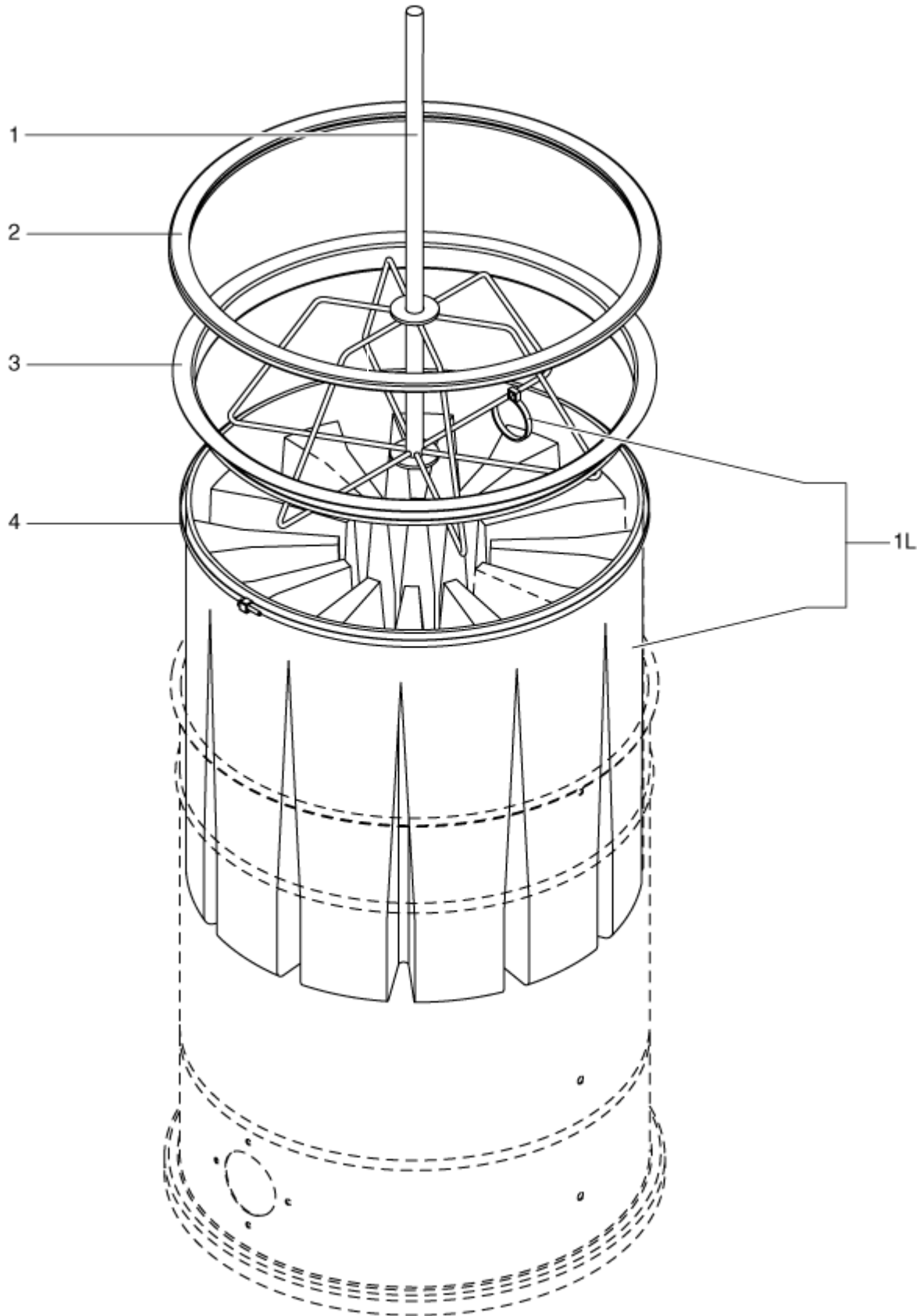
Filter group (Mod. 115)

ATTIX 115/125

09-04-2011

Part List ID
ATTIX11512515

17



Filter group (Mod. 115)

ATTIX 115/125

09-04-2011

Part List ID
ATTIX11512515

18

Pos	Part no.	Qty	Description	EAN
1	Z8 33093	1	STAR CAGE D460 MOD.317	5711141063
2	Z8 17026	1	FILTER SEAL D460 BLACK	5711141051
3	Z8 15003	1	FILTER HOLDER RING D460 FE	5711141049
4	Z8 18079	1	FILTER BLOCK TIE D460	5711141054
1L	40000338	1	KIT STAR FILTER D460 L CLASS	5711141012

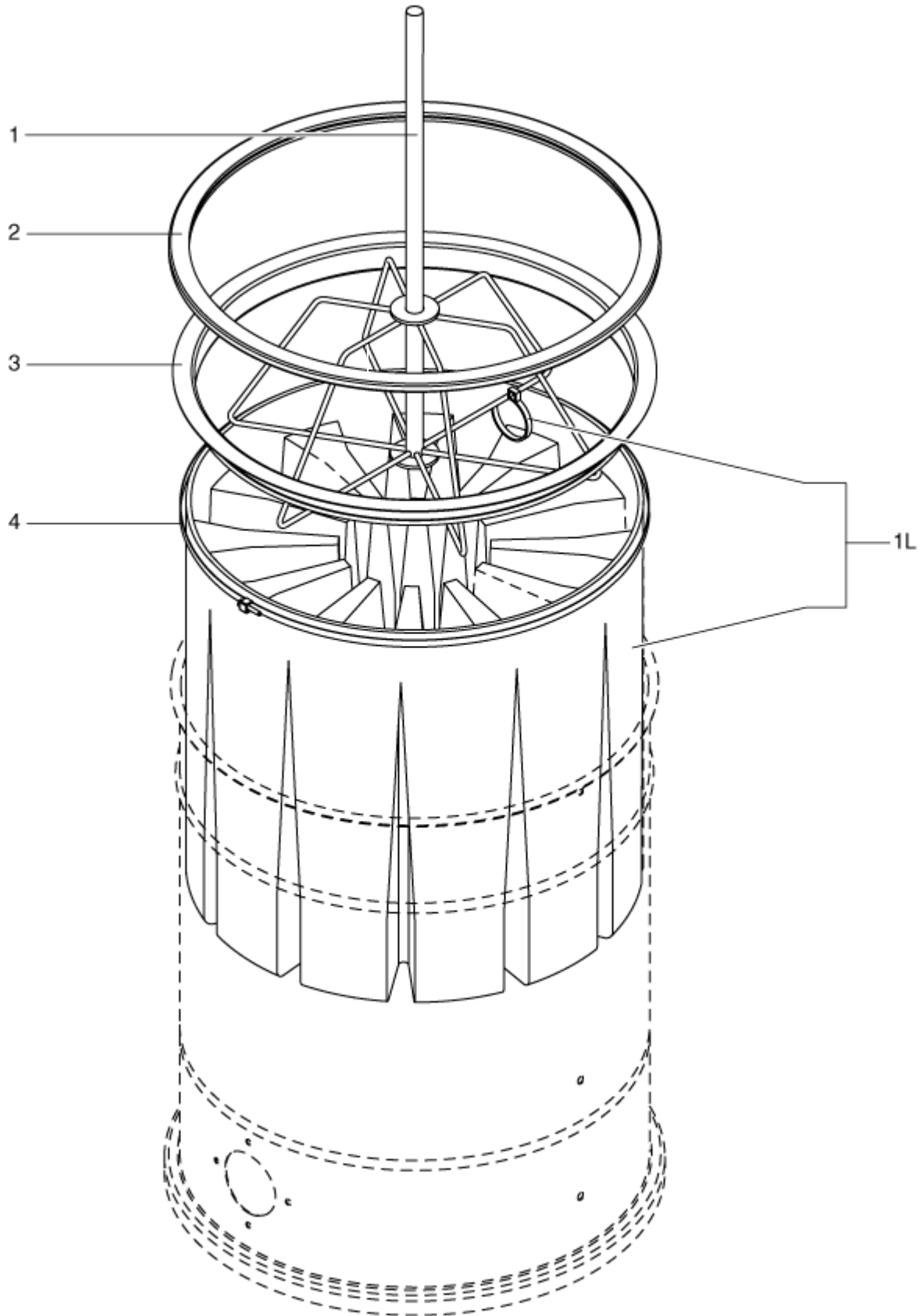
Filter group (Mod. 125)

ATTIX 115/125

09-04-2011

Part List ID
ATTIX11512517

19



Filter group (Mod. 125)

ATTIX 115/125

09-04-2011

Part List ID
ATTIX11512517

20

Pos	Part no.	Qty	Description	EAN
1	Z8 33093	1	STAR CAGE D460 FILTER BIG SIZE	5711141063
2	Z8 17026	1	FILTER SEAL D460 BLACK	5711141051
3	Z8 15003	1	FILTER HOLDER RING D460 FE	5711141049
4	Z8 18079	1	FILTER BLOCK TIE D460	5711141054
1L	40000699	1	18 POCKET STAR FILTER KIT M CLASS	5711141016

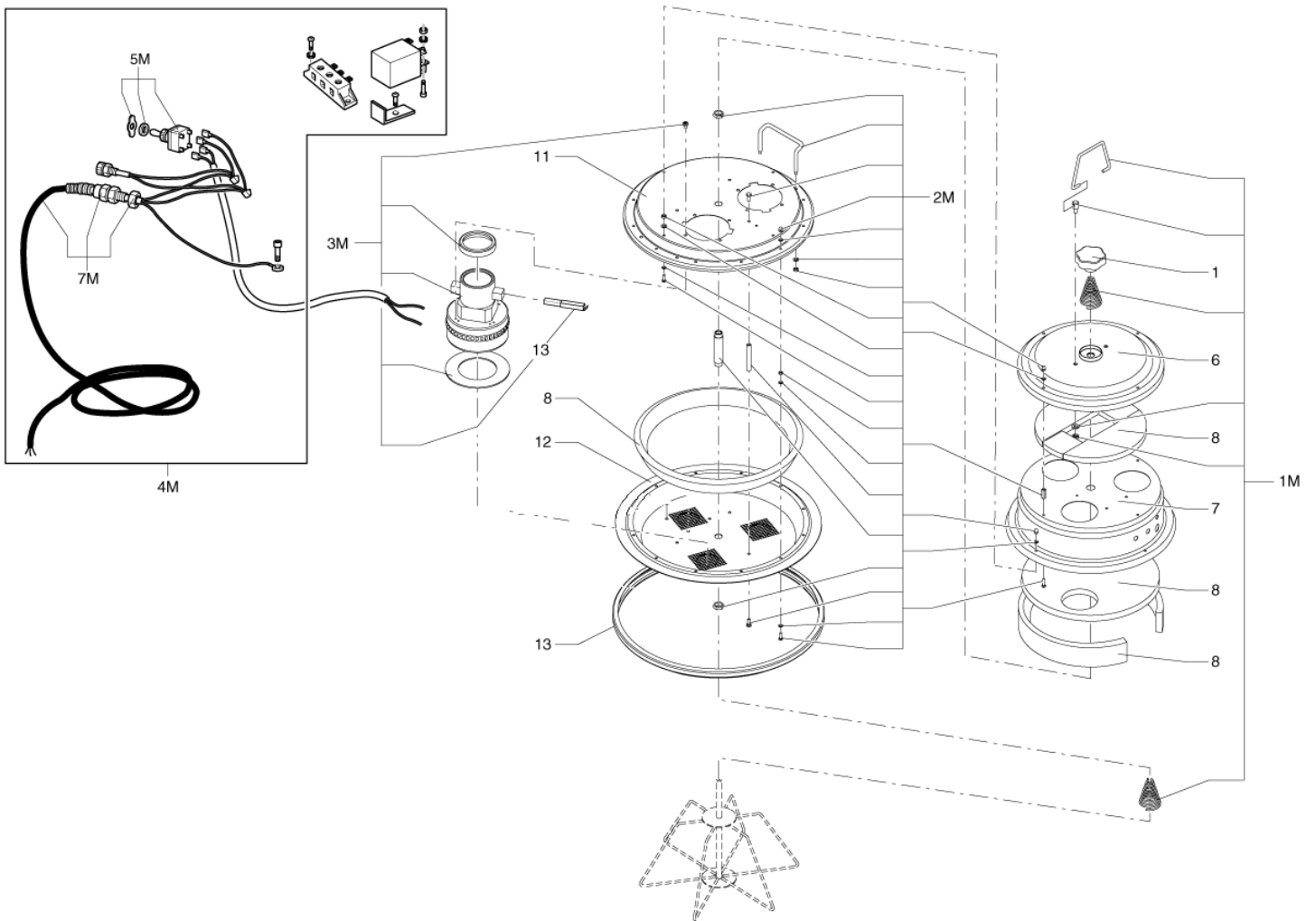
Suction unit

ATTIX 115/125

09-04-2011

Part List ID
ATTIX11512519

21



Suction unit

ATTIX 115/125

09-04-2011

Part List ID
ATTIX11512519

22

Pos	Part no.	Qty	Description	EAN
1	Z8 40027	1	KNOB D70 M12 NO HOLE	5711141070
6	4083500258	1	COVER 460 SC.M.S2/S3B R7016	5711141093
7	Z8 16067	1	MOTOR COVER HEAD D460 3HOLES	5711141050
8	Z8 17229	1	KIT SOUNDPROOF D460 M.317	5711141052
11	4081600598	1	FIX MOTOR FOR COVER D460 3F RAL7016	5711141093
12	4081600599	1	MOTOR COVER D460 3F M.S2/S3B RAL 7016	5711141093
13	40000885	1	MOTOR BRUSH KIT V230	5711141093
2M	40000936	1	KIT HEADER ASSEMBLING	5711141093
3M	40000937	1	MOTOR KIT V230	5711141093
4M	40000941	1	ELECTRICAL KIT V230 3 MOTORS	5711141093
5M	40000516	1	kit sw itch	5711141014
7M	40000909	1	CABLE KIT V230 EU	5711141092

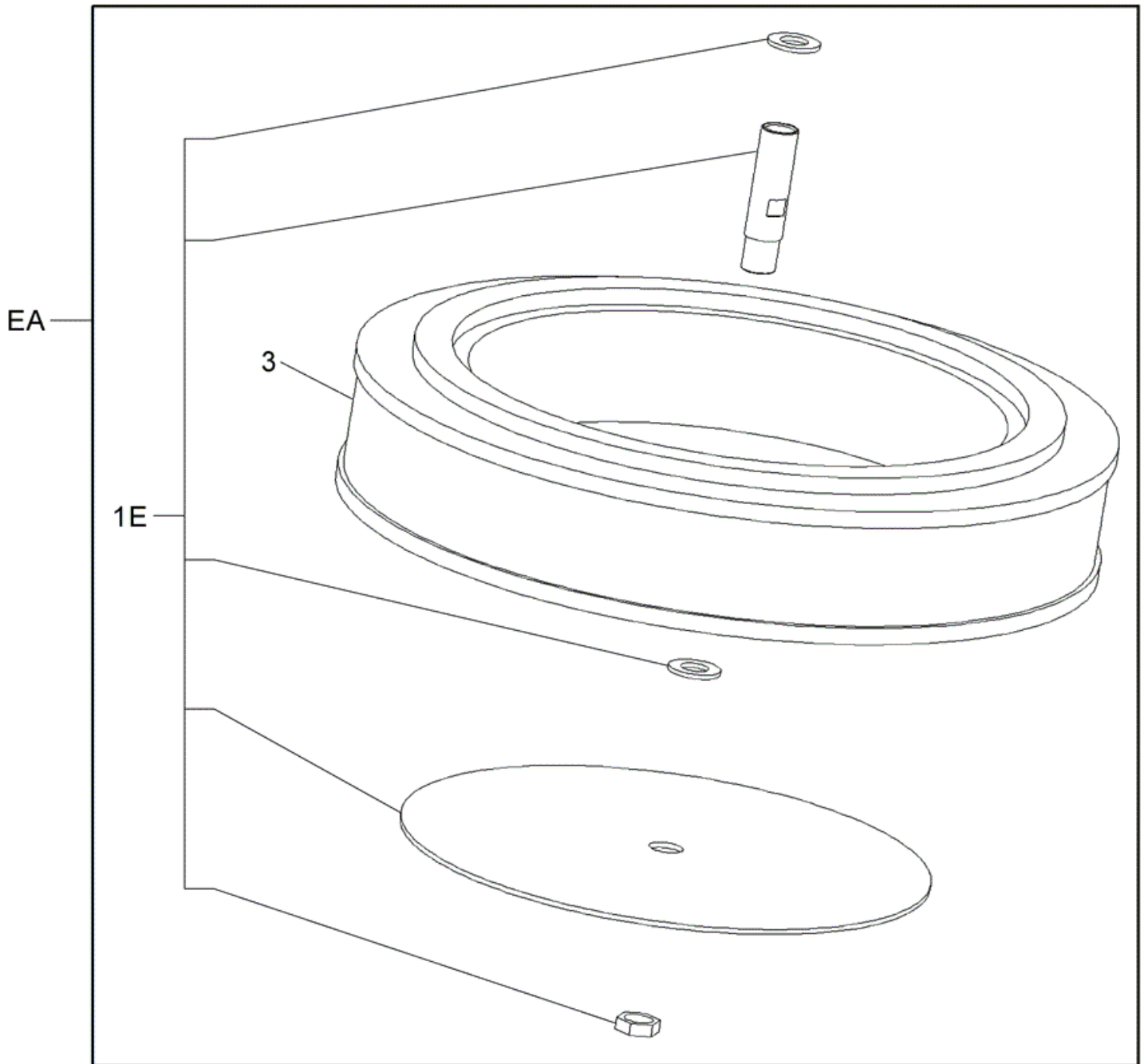
Absolute filter

ATTIX 115/125

09-04-2011

Part List ID
ATTIX11512521

23



Absolute filter

ATTIX 115/125

09-04-2011

Part List ID
ATTIX11512521

24

Pos	Part no.	Qty	Description	EAN
3	Z8 17455	1	ABSOLUTE FILTER D410 x 80 H14 ROTATING	5711141052
1E	40000525	1	kit absolute filter support	5711141014
EA	Z5 60357	1	ABSOLUTE FILTER KIT M.125/1216	5711141036