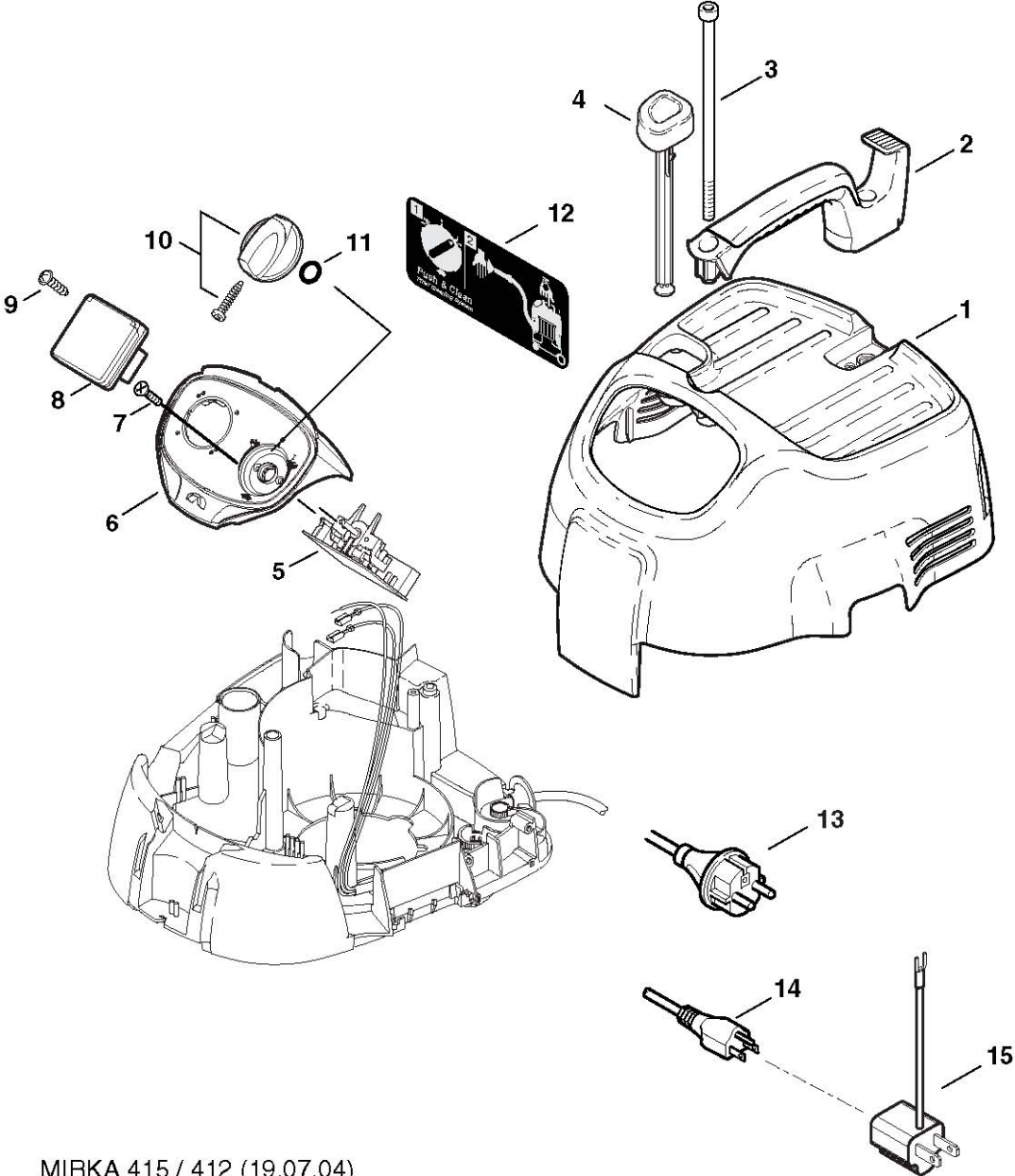


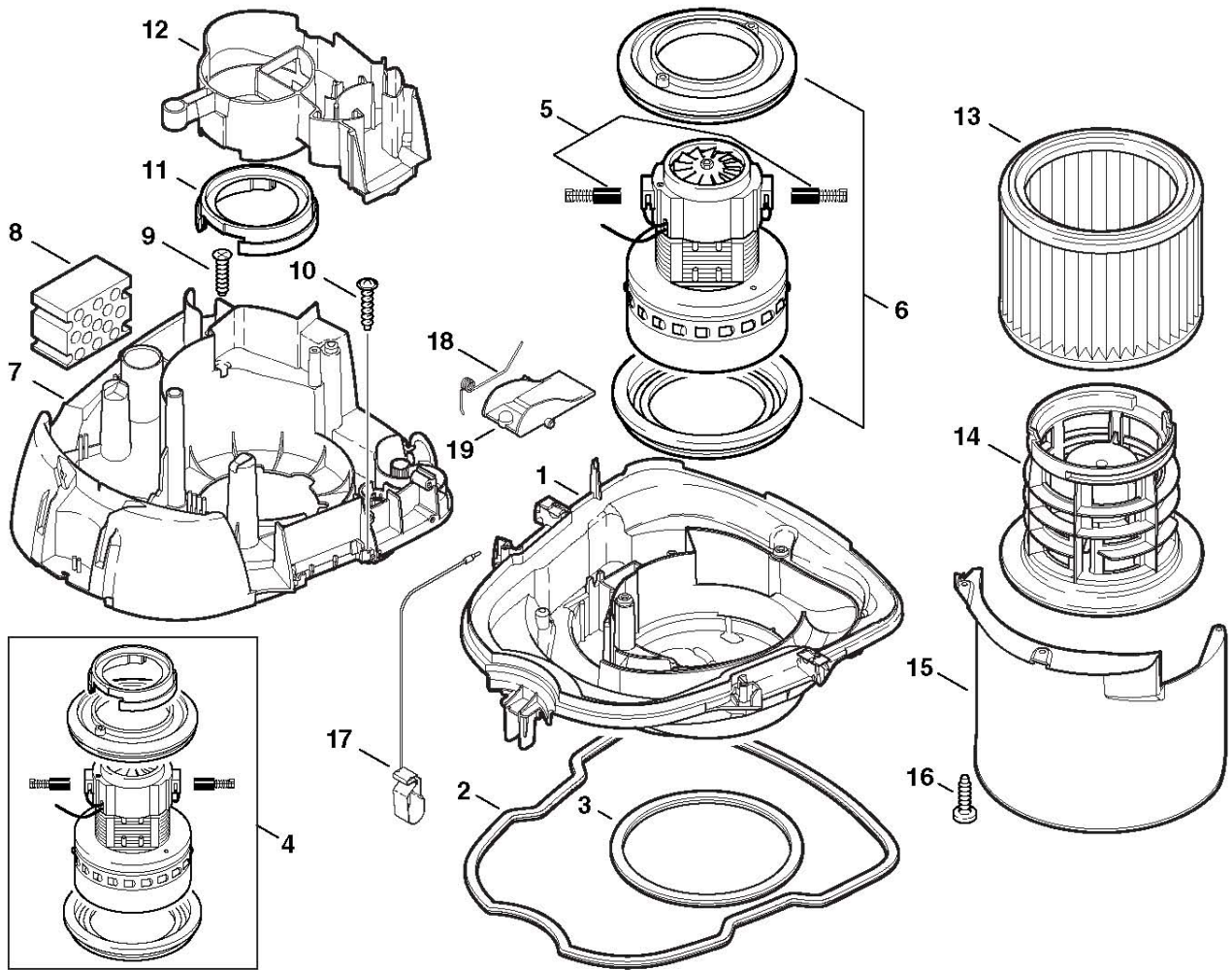
Exploded view for Vacuum Cleaner 415/412

PICTURE 1



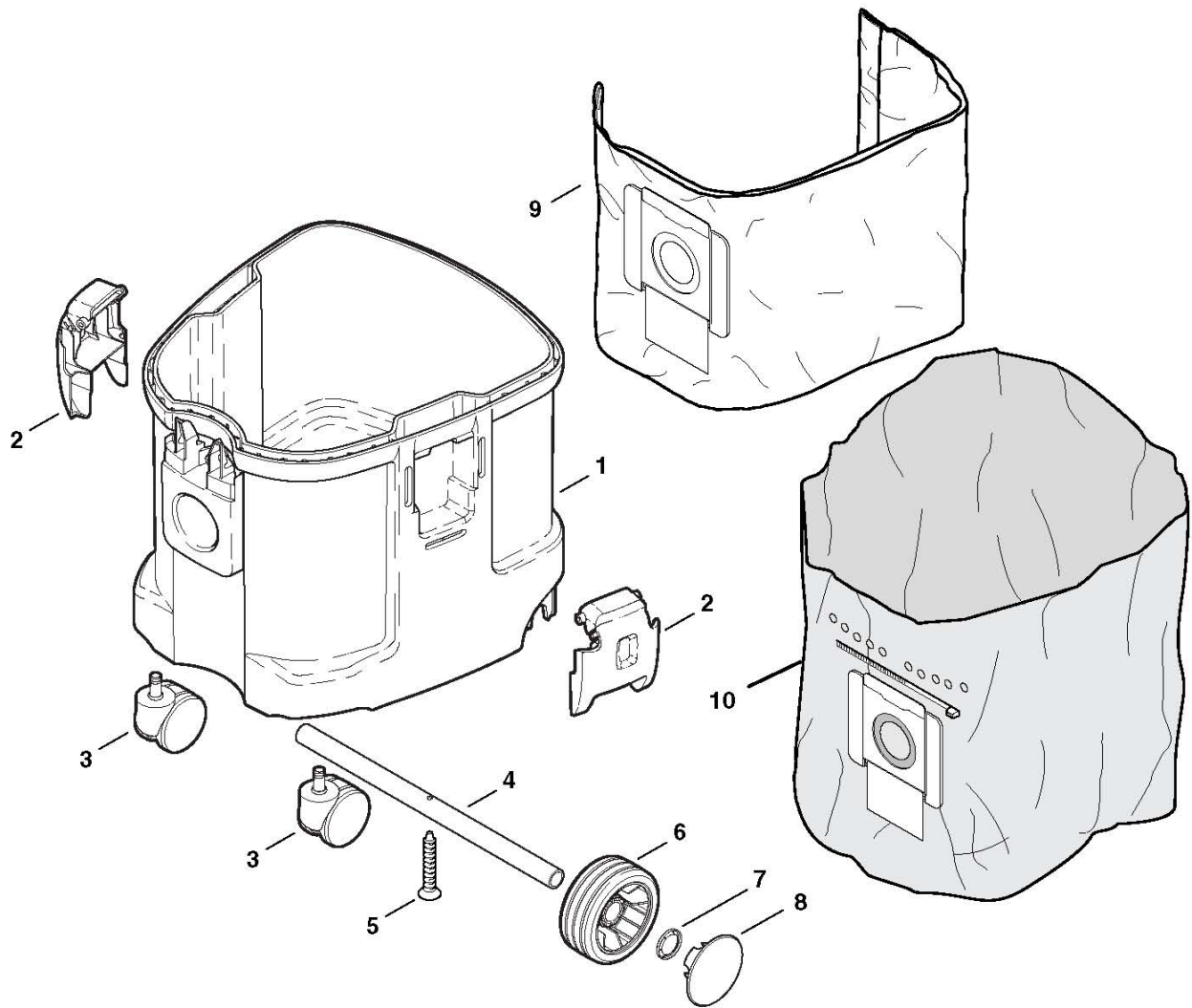
MIRKA 415 / 412 (19.07.04)

PICTURE 2



MIRKA 415 / 412 (19.07.2004)

PICTURE 3



MIRKA 415 / 412 (19.07.2004)

Picture 01

Pos	Mirka code	Description
1		Hood w.soundproofing
2		Handle
3		Screw M6x140 ISO 4762
4	8999602411	Filter deduster
5	8999600811	Electronic EA.w.speed 220-240V
5		Electronic with speed 100-120V
6		Switch box
7		Countersunk screw M4x12 ISO 7046
8		Outlet box 2-polig+PE 15A/125V *US/CSA*
8	8999601911	Outlet box 2-polig+PE 16A/250V *DE*
9		Screw EJOT- KA35x18 WN 1411
10		Rotary knob ø6x5
11		O-Ring 10.0x2,5
12		Label dedusting of filters
13		Power cord H05RRR-F 3G1,5x8,2 CEE7/VII*EU
14		Power cord SJTW-A AWG14/3x8,2 Nema *US*
15		Adapter for *JP*

Picture 02

Pos	Mirka code	Description
1	8999601211	Base
2	8999601311	Gasket for container
3	8999601411	Gasket for filter
4	8999806111	Motor 230 V 1200W *EU*
4		Motor 100 V 1200W *JP*
5	8999809111	Carbon brush set for "C"
5	8999659111	Carbon brush set for "M"
5		Carbon brush set for "L"
6		Motor bearing ring set for "C"
6		Motor bearing ring set for "L+M"
7	8999602011	Clamping plate
8		Diffusor 82.4x63.5x45
9		Screw EJOT- KA50x20 WN 1413
10		Screw EJOT- KA35x18 WN 1411
11		Collar for *1200W*
12		Air duct

Picture 02

Pos	Mirka code	Description
13	8999600411	Filter element ø185x140 Set
14	8999602511	Filter support cage
15	8999601811	Deflector 260x150x212
16		Screw f.plastic 5.0x18
17		Contact spring
18	8999602211	Torsion spring ø0.9x18x45
19	8999602311	Dedusting flap 79x53x25

Picture 03

Pos	Mirka code	Description
1		Container w.fitting
2	8999601611	Locking clamp
3	8999601711	Guide roller D60
4	8999602611	Axle ø20x1.5x345
5	8999609111	Screw EJOT- KA50x35 WN 1413
6	8999601511	Wheel ø100x20
7	8999602711	Clamping ring ø28,6/ ø20x1,3
8	8999602811	Hub cap
9	8999600211	Filter bag Set -5 neutral
10	8999600311	Disposal bag Set-5