

A & M Electric Tools

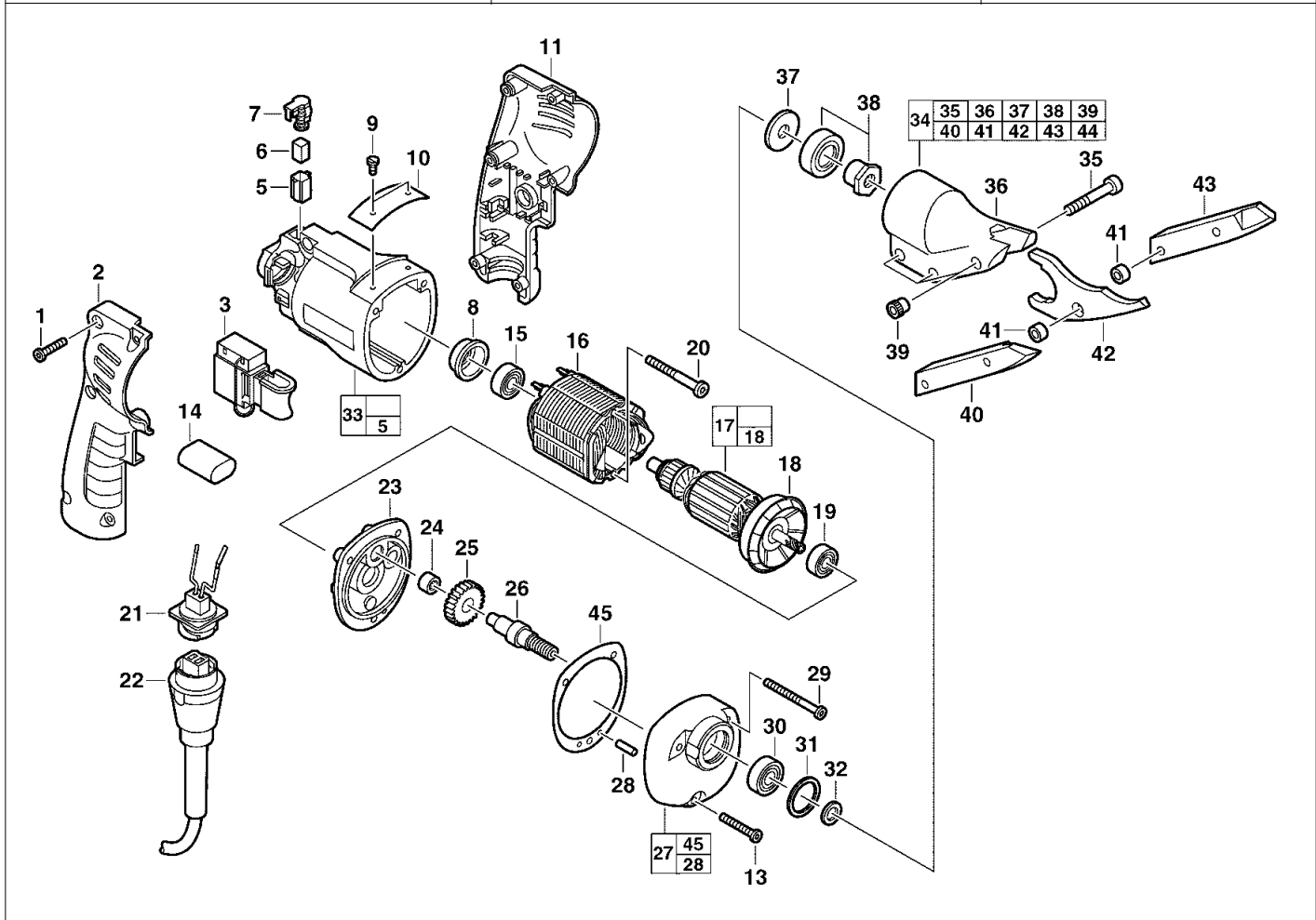
Sheet Metal Shears

Milwaukee

SMC1,2QE

Exp.view No. Version Date Page
4926 3858 30 0002 18.10.02 1/2

Ind	Product No.	Type	Voltage	Country	Ind	Product No.	Type	Voltage	Country
a	4000385829	SMC1,2QE	220-240V	IN2					
b	4000385829	SMC1,2QE	220-240V	AUS					
c	4000385829	SMC1,2QE	220-240V	GB2					
d	4000385829	SMC1,2QE	220-240V	CH					



Pos	Index	Quanti	Article No.	Designation	Pos	Index	Quanti	Article No.	Designation
0001	abcd	6	06827284	SCREW	0022	..c	1	4931624184	CONNECTION CABLE
0002	abcd	1	31441845	HANDLE	0022	..d	1	4931624181	CONNECTION CABLE
0003	a	1	23662105	SWITCH	0023	abcd	1	14130525	BEARING END PLATE
0003	.b	1	4931364801	SWITCH	0024	abcd	1	02501620	BEARING BUSH
0005	abcd	2	22200830	BRUSH HOLDER	0025	abcd	1	32753260	GEAR BOX
0006	abcd	2	22160375	CARBON BRUSH	0026	abcd	1	38505671	SPINDLE
0007	abcd	2	23521570	BRUSH SPRING	0027	abcd	1	28141840	GEAR CASE
0008	abcd	1	22720100	RUBBER SLEEVE	0028	abcd	1	06650880	PIN
0009	abcd	2	06721720	RIVET	0029	abcd	2	06827344	SCREW
0010	abcd	1	12991013	NAME PLATE	0030	abcd	1	02041020	BALL BEARING
0011	abcd	1	31441840	HANDLE	0031	abcd	1	34801400	RING
0013	abcd	1	06827308	SCREW	0032	abcd	1	45887940	WASHER
0014	abcd	1	14200530	CAPACITOR	0033	abcd	1	14380591	HOUSING MOTOR SIDE
0015	abcd	1	02040645	BALL BEARING	0034	abcd	1	48080500	SHEAR HEAD
0016	abcd	1	18120160	ELECTRIC FIELD	0035	abcd	3	06752115	SCREW
0017	abcd	1	16160440	ARMATURE	0036	abcd	1	43760400	HOUSING
0018	abcd	1	22840760	FAN	0037	abcd	1	45887310	WASHER
0019	abcd	1	02040847	BALL BEARING	0038	abcd	1	43160100	ECCENTRIC BEARING
0020	abcd	2	06827393	SCREW	0039	abcd	3	43840460	INSERT
0021	abcd	1	22560696	INSERT	0040	abcd	1	48440170	SHEAR BLADE
0022	a	1	4931624171	CONNECTION CABLE	0041	abcd	2	42400520	BUSHING
0022	.b	1	4931624342	CONNECTION CABLE	0042	abcd	1	48440150	SHEAR BLADE

Repairs/modification and testing of electric power tools are to be carried out by specialists. The safety regulations according to DIN/VDE/CEE/AFNOR and other regulations valid in the different countries are to be observed.

A & M Electric Tools

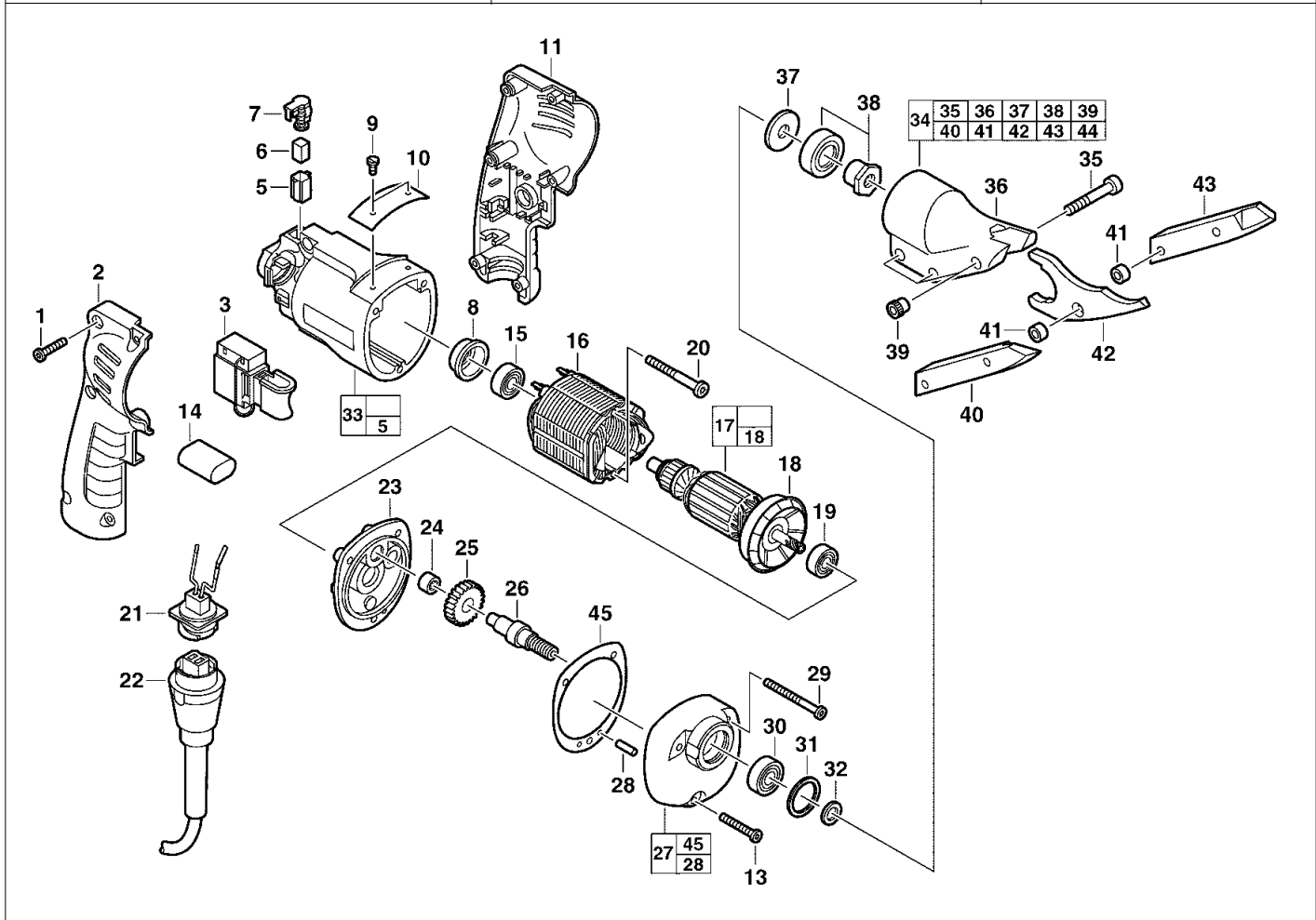
Sheet Metal Shears

Milwaukee

SMC1,2QE

Exp.view No. Version Date Page
4926 3858 30 0002 18.10.02 2/2

Ind	Product No.	Type	Voltage	Country	Ind	Product No.	Type	Voltage	Country
a	4000385829	SMC1,2QE	220-240V	IN2					
b	4000385829	SMC1,2QE	220-240V	AUS					
c	4000385829	SMC1,2QE	220-240V	GB2					
d	4000385829	SMC1,2QE	220-240V	CH					



Pos	Index	Quanti	Article No.	Designation
0043	abcd.....	1	48440160	SHEAR BLADE
0044	abcd.....	1	49960070	WRENCH
0045	abcd.....	1	43440925	GASKET

Pos	Index	Quanti	Article No.	Designation
-----	-------	--------	-------------	-------------

Repairs/modification and testing of electric power tools are to be carried out by specialists. The safety regulations according to DIN/VDE/CEE/AFNOR and other regulations valid in the different countries are to be observed.