

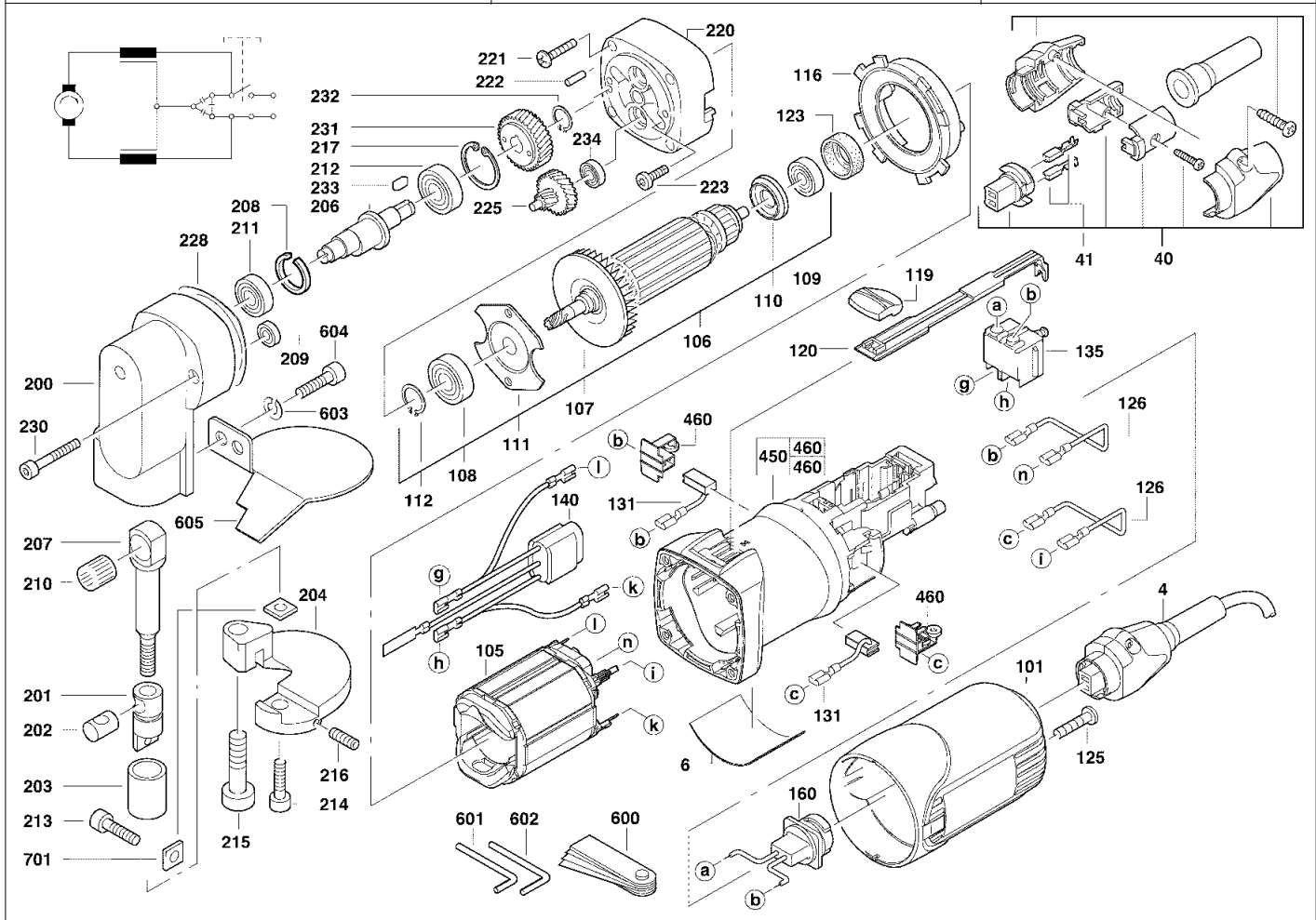
A & M Electric Tools

Sheet Metal Shears

Ind Product No.	Type	Voltage	Country
a 4000368531	S2,5Q	230V	IN2

Ind Product No.	Type	Voltage	Country

Milwaukee			
S 2,5 Q			
Exp.view No.	Version	Date	Page
4926 3685 35	0006	28.06.06	1/2



Pos	Index	Quanti	Article No.	Designation	Pos	Index	Quanti	Article No.	Designation
0004	a.....	1	4931624171	CONNECTION CABLE	0160	a.....	1	4931368393	PLUG
0006	a.....	1	4931368533	RATING PLATE	0200	a.....	1	4931378868	BODY
0040	a.....	1	4931380758	REPAIR KIT	0201	a.....	1	4931326607	RAM
0041	a.....	1	4931380763	CABLE SOCKET P./10	0202	a.....	1	4931362178	BOLT
0101	a.....	1	4931368378	HOUSING CAP	0203	a.....	1	4931326609	SLEEVE
0105	a.....	1	4931368511	ELECTRIC FIELD	0204	a.....	1	4931358777	CUTTING TABLE
0106	a.....	1	4931368512	ARMATURE	0206	a.....	1	4931217551	ECCENTRIC SHAFT
0107	a.....	1	4931351861	FAN	0207	a.....	1	4931326610	CONNECTING ROD
0108	a.....	1	4931341740	GROOVED BALL BEAR.	0208	a.....	1	4931214527	CLAMPING RING
0109	a.....	1	4931902888	BALL BEARING	0209	a.....	1	4931887416	BALL BEARING
0110	a.....	1	4931385658	INSULATING DISC	0210	a.....	1	4931983003	NEEDLE BEARING
0111	a.....	1	4931351913	BEARING COVER	0211	a.....	1	4931939266	BALL BEARING
0112	a.....	2	4931605103	RING	0212	a.....	1	4931898737	BALL BEARING
0116	a.....	1	4931368496	AIR DEFLECTOR RING	0213	a.....	1	4931623528	SCREW
0119	a.....	1	4931381347	SLIDER	0214	a.....	1	4931623529	SCREW
0120	a.....	1	4931368386	GUIDE PIECE	0215	a.....	1	4931622696	SCREW
0123	a.....	1	4931393018	RUBBER SLEEVE	0216	a.....	2	4931623530	THREADED PIN
0125	a.....	2	4931618253	SCREW	0217	a.....	1	4931616614	LOCKING RING
0126	a.....	2	4931623944	WIRE	0220	a.....	1	4931378855	BEARING END PLATE
0131	a.....	1	4931392611	CARBON BRUSH SET	0221	a.....	4	4931622221	SCREW
0135	a.....	1	4931368387	SWITCH	0222	a.....	1	4931600203	PIN
0140	a.....	1	4931391747	CAPACITOR	0223	a.....	2	4931279999	SCREW

Repairs/modification and testing of electric power tools are to be carried out by specialists. The safety regulations according to DIN/VDE/CEE/AFNOR and other regulations valid in the different countries are to be observed.

