

A & M Electric Tools

Angle Grinders

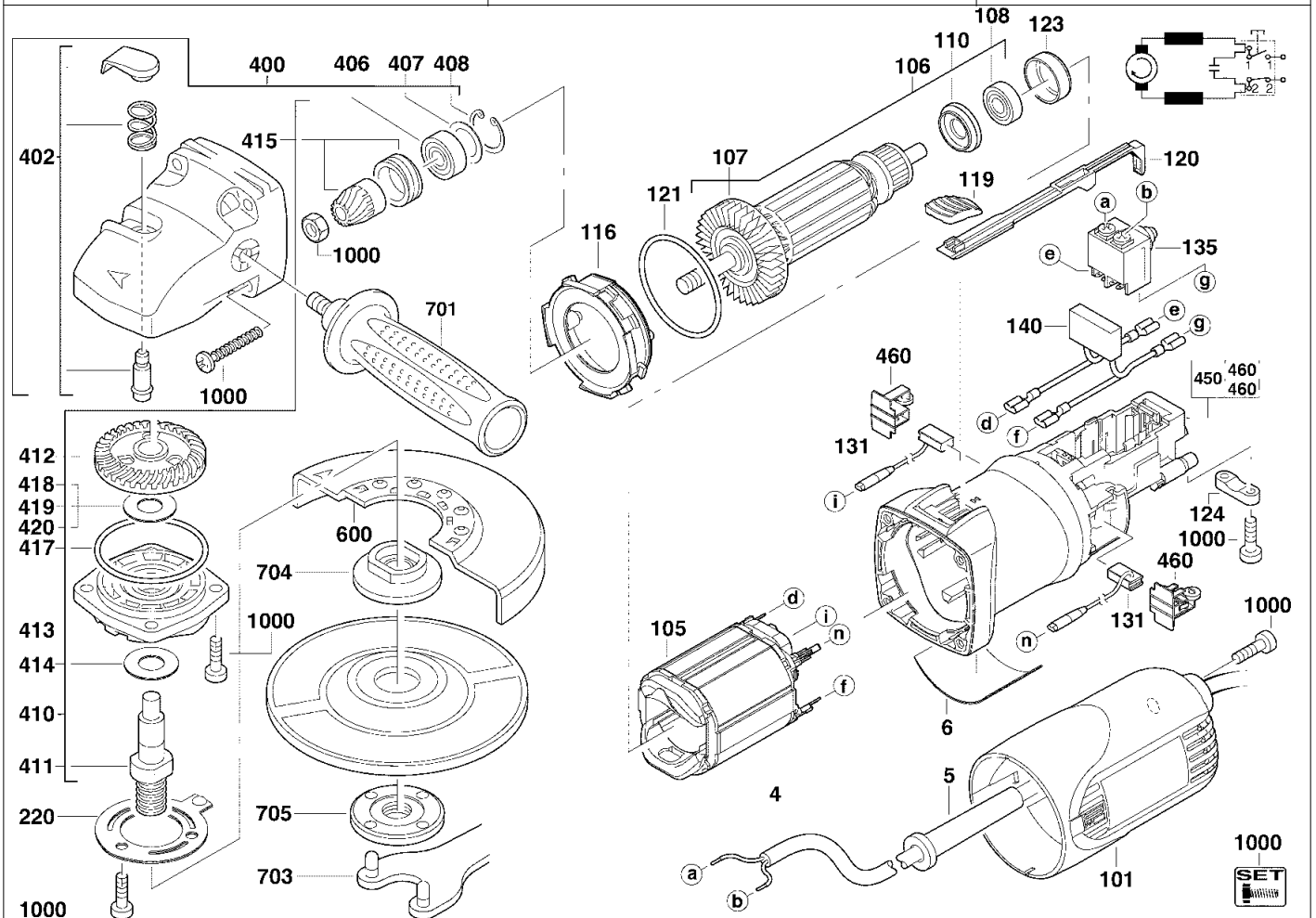
Milwaukee

AG 8-100

Exp.view No. Version Date Page
4926 4032 97 0004 13.09.07 1/2

Ind	Product No.	Type	Voltage	Country
a	4000407007	AG8-100	220-240V	IN2
b	4000403246	AG8-100	220-240V	AUS

Ind	Product No.	Type	Voltage	Country



Pos	Index	Quanti	Article No.	Designation	Pos	Index	Quanti	Article No.	Designation
0004	a.....	1	4931624121	CONNECTION CABLE	0400	ab.....	1	4931368420	GEAR BOX
0004	.b.....	1	4931624339	CONNECTION CABLE	0402	ab.....	1	4931358685	LOCK COMPLETE
0005	a.....	1	4931206687	CABLE ENTRY SLEEVE	0406	ab.....	1	4931624360	BALL BEARING
0005	.b.....	1	4931218785	CABLE ENTRY SLEEVE	0407	ab.....	1	4931803914	SEALING WASHER
0006	a.....	1	4931407009	RATING PLATE	0408	ab.....	1	4931613683	LOCKING RING
0006	.b.....	1	4931403248	RATING PLATE	0410	ab.....	1	4931362288	DRIVE GEAR
0101	ab.....	1	4931403011	HOUSING CAP	0411	ab.....	1	4931362185	SPINDLE
0105	ab.....	1	4931393550	ELECTRIC FIELD	0412	ab.....	1	4931385587	BEVEL GEAR PAIR
0106	ab.....	1	4931403212	ARMATURE	0413	ab.....	1	4931378310	BEARING END PLATE
0107	ab.....	1	4931368347	FAN	0414	ab.....	1	4931623480	DISC
0108	ab.....	1	4931902888	BALL BEARING	0415	ab.....	1	4931385587	BEVEL GEAR PAIR
0110	ab.....	1	4931385658	INSULATING DISC	0417	ab.....	1	4931623590	SEAL RING
0116	ab.....	1	4931368332	AIR DEFLECTOR RING	0418	ab.....	1	4931808473	DISC
0119	ab.....	1	4931368501	SLIDER	0419	ab.....	1	4931925940	DISC
0120	ab.....	1	4931368333	GUIDE PIECE	0420	ab.....	1	4931624256	DISC
0121	ab.....	1	4931623590	SEAL RING	0450	ab.....	1	4931403204	MODIFICATION SET
0123	ab.....	1	4931368374	RUBBER SLEEVE	0460	ab.....	1	4931403400	BRUSH HOLDER
0124	ab.....	1	4931256500	CABLE COLLAR	0600	ab.....	1	4931378166	GUARD CAP
0131	ab.....	1	4931392612	CARBON BRUSH SET	0701	ab.....	1	4932279371	HANDLE
0135	ab.....	1	4931391034	SWITCH	0703	ab.....	1	4931622580	HOOK WRENCH
0140	ab.....	1	4931391182	CAPACITOR	0704	ab.....	1	4932362183	CLAMPING FLANGE
0220	ab.....	1	4931345965	SPRING WASHER	0705	ab.....	1	4931362187	FLANGE NUT

Repairs/modification and testing of electric power tools are to be carried out by specialists. The safety regulations according to DIN/VDE/CEE/AFNOR and other regulations valid in the different countries are to be observed.

A & M Electric Tools

Angle Grinders

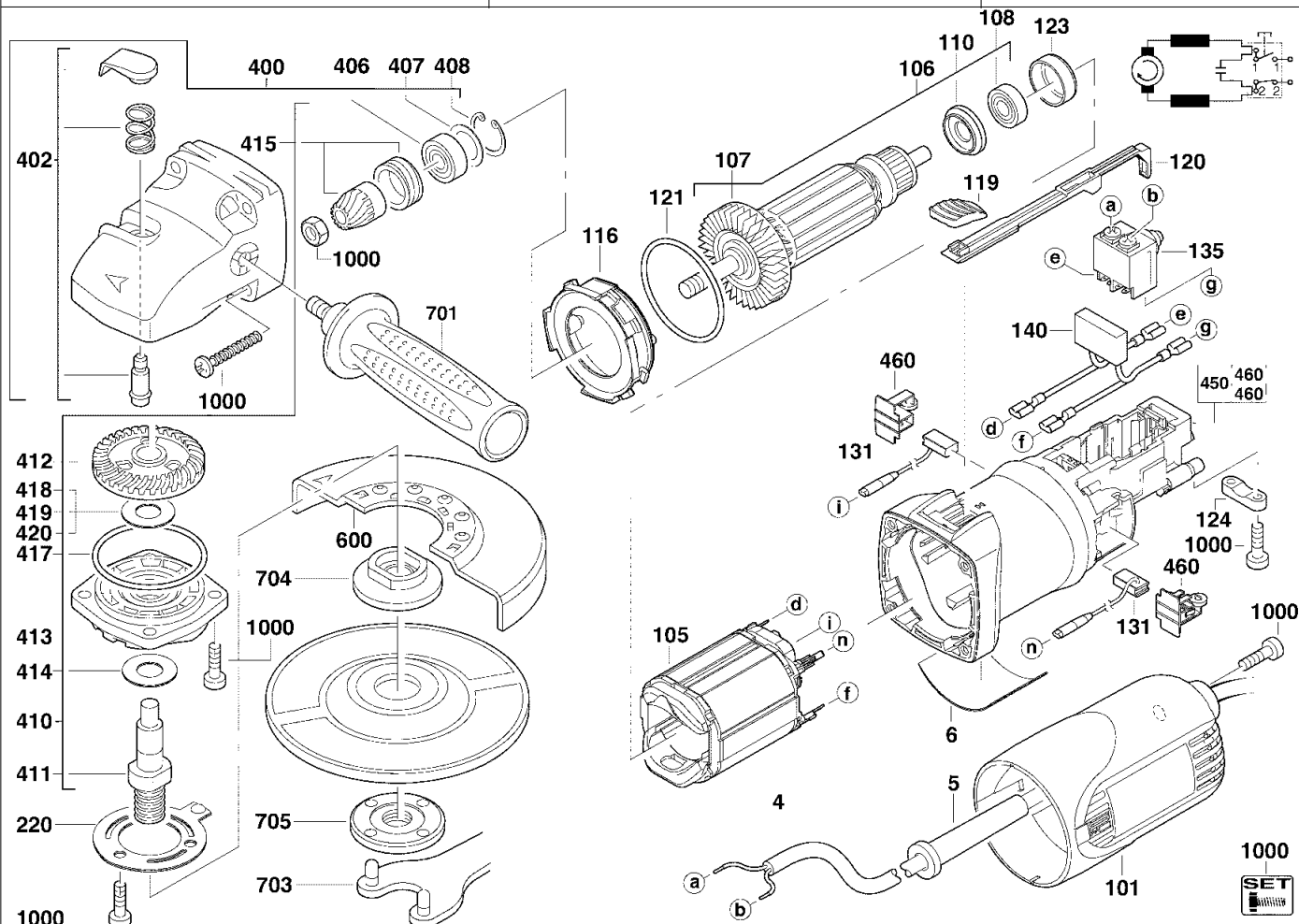
Milwaukee

AG 8-100

Ind	Product No.	Type	Voltage	Country
a	4000407007	AG8-100	220-240V	IN2
b	4000403246	AG8-100	220-240V	AUS

Ind	Product No.	Type	Voltage	Country

Exp.view No. 4926 4032 97 Version 0004 Date 13.09.07 Page 2/2



Pos	Index	Quanti	Article No.	Designation
1000	ab.....	1	4931358683	BOLT SET

Pos	Index	Quanti	Article No.	Designation