

A & M Electric Tools

Angle Grinders

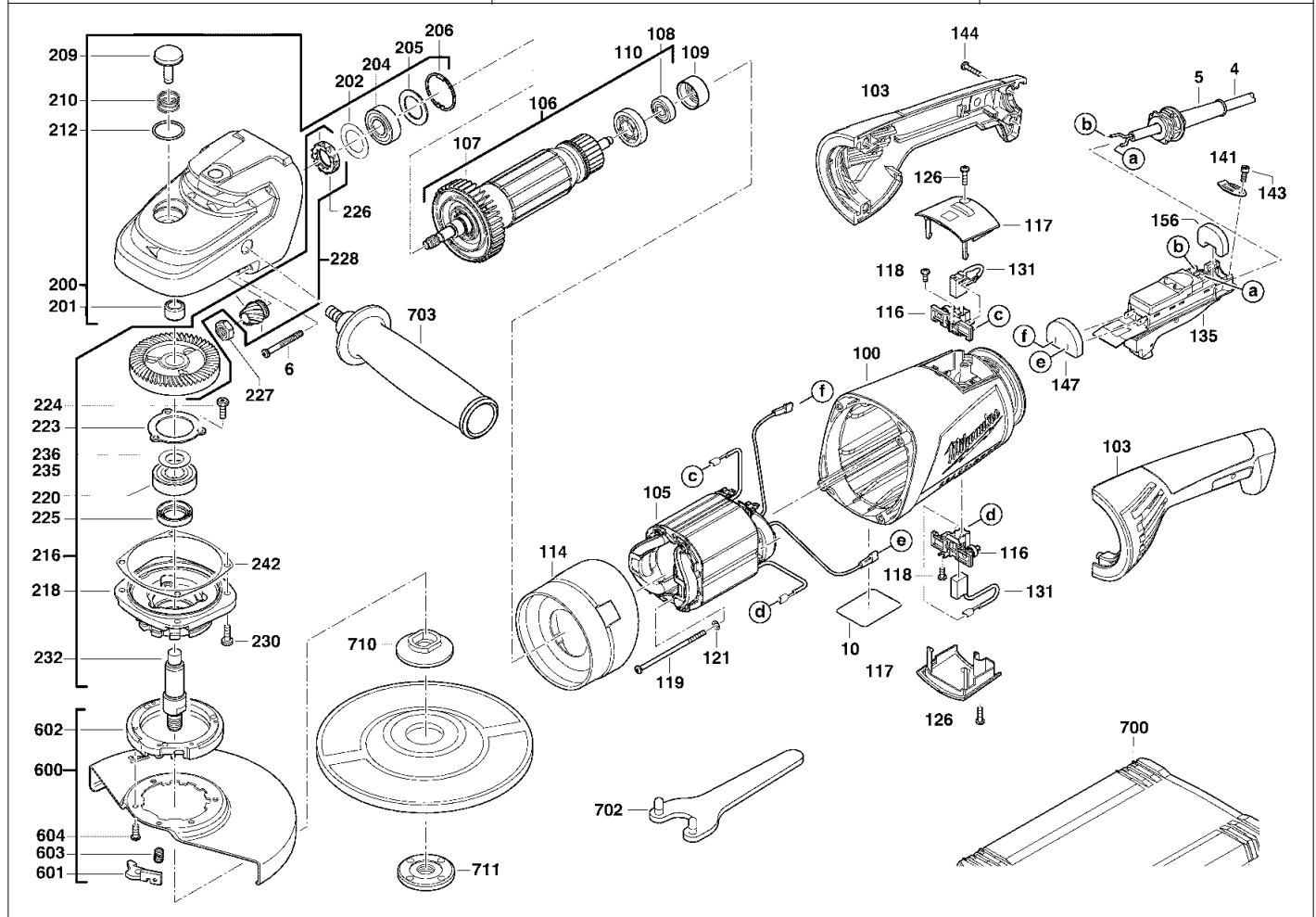
Milwaukee

AG 21-180 E

AG 21-230 E

Exp.view No. Version Date Page
4926 4021 89 0007 31.01.08 1/2

Ind	Product No.	Type	Voltage	Country	Ind	Product No.	Type	Voltage	Country
a	4000402183	AG21-180E	220-240V	IN2					
b	4000402184	AG21-230E	220-240V	IN2					
c	4000402516	AG21-230E	220-240V	IN2					



Pos	Index	Quanti	Article No.	Designation	Pos	Index	Quanti	Article No.	Designation
0004	abc.....	1	4931622899	CONNECTION CABLE	0135	ab.....	1	4931402034	SWITCH
0005	abc.....	1	4931387206	PROTECTING COVER	0135	..c.....	1	4931402277	SWITCH
0006	abc.....	4	4931622765	SCREW	0141	abc.....	1	4931329273	CABLE COLLAR
0010	a.....	1	4931402293	RATING PLATE	0143	abc.....	1	4931624537	SCREW
0010	.b.....	1	4931402290	RATING PLATE	0144	abc.....	4	4931618253	SCREW
0010	..c.....	1	4931402518	RATING PLATE	0147	abc.....	1	4931402013	DUST SEAL
0100	abc.....	1	4931402172	MOTOR HOUSING	0156	abc.....	1	4931402286	DUST SEAL
0103	abc.....	1	4931402177	SWITCH HANDLE	0200	abc.....	1	4931402161	GEAR BOX
0105	abc.....	1	4931402086	ELECTRIC FIELD	0201	abc.....	1	4931621981	SLEEVE
0106	abc.....	1	4931402085	ARMATURE	0202	abc.....	1	4931621629	DISC
0107	abc.....	1	4931334394	FAN	0204	abc.....	1	4931624305	BALL BEARING
0108	abc.....	1	4931341741	BALL BEARING	0205	abc.....	1	4931622897	DISC
0109	abc.....	1	4931329086	RUBBER SLEEVE	0206	abc.....	1	4931334400	LOCKING RING
0110	abc.....	1	4931329084	SEAL RING	0209	abc.....	1	4931402166	LOCKING BOLT
0114	abc.....	1	4931402271	AIR DEFLECTOR RING	0210	abc.....	1	4931329173	PRESSURE SPRING
0116	abc.....	2	4931329079	BRUSH HOLDER	0212	abc.....	1	4931622764	O-RING
0117	abc.....	2	4931402169	COVER	0216	a.....	1	4931402547	DRIVE GEAR
0118	abc.....	2	4931624538	SCREW	0216	.bc.....	1	4931402546	DRIVE GEAR
0119	abc.....	2	4931329170	SCREW	0218	a.....	1	4931402239	GEAR ENDPLATE
0121	abc.....	2	4931619992	SPRING WASHER	0218	.bc.....	1	4931402240	GEAR ENDPLATE
0126	abc.....	2	4931624537	SCREW	0220	abc.....	1	9170316990	BEARING
0131	abc.....	1	4931369479	CARBON BRUSH SET	0223	abc.....	1	4931402150	BEARING COVER

Repairs/modification and testing of electric power tools are to be carried out by specialists. The safety regulations according to DIN/VDE/CEE/AFNOR and other regulations valid in the different countries are to be observed.

A & M Electric Tools

Angle Grinders

Milwaukee

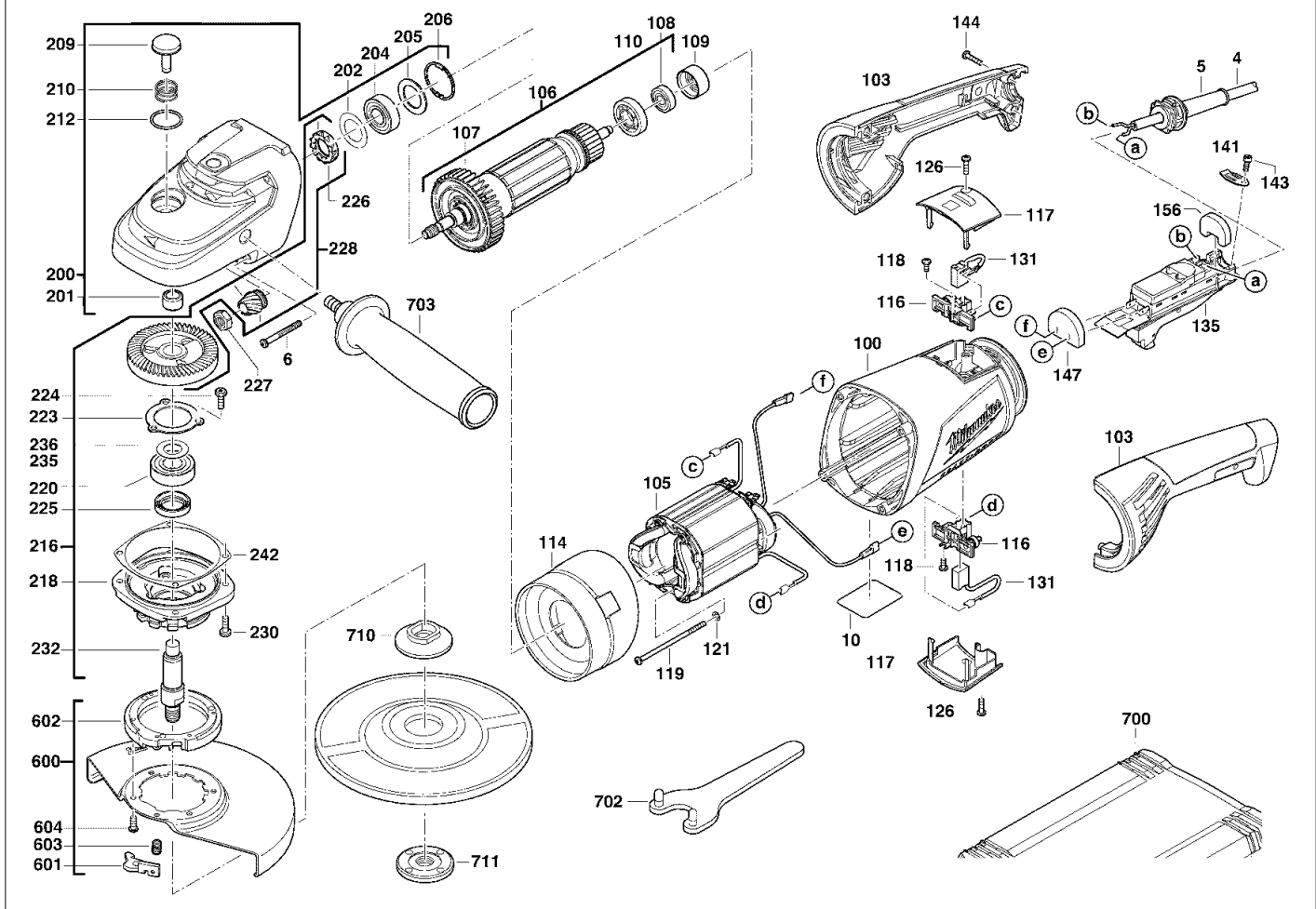
AG 21-180 E

AG 21-230 E

Exp.view No. Version Date Page

4926 4021 89 0007 31.01.08 2/2

Ind	Product No.	Type	Voltage	Country	Ind	Product No.	Type	Voltage	Country
a	4000402183	AG21-180E	220-240V	IN2					
b	4000402184	AG21-230E	220-240V	IN2					
c	4000402516	AG21-230E	220-240V	IN2					



Pos	Index	Quanti	Article No.	Designation	Pos	Index	Quanti	Article No.	Designation
0224	abc.....	3	4931624147	SCREW	0711	abc.....	1	4932345628	FLANGE NUT
0225	abc.....	1	4931279734	RUBBER SLEEVE					
0226	a.....	1	4931329177	GREASE RETAIN.DISC					
0226	.bc.....	1	4931329178	GREASE RETAIN.DISC					
0227	abc.....	1	4931329494	NUT					
0228	a.....	1	4931402552	BEVEL GEAR PAIR					
0228	.bc.....	1	4931402553	BEVEL GEAR PAIR					
0230	abc.....	4	4931624147	SCREW					
0232	abc.....	1	4931402152	SPINDLE					
0235	abc.....	1	4931622747	SCREW					
0236	abc.....	1	4931623312	WASHER					
0242	abc.....	1	4931329150	GASKET					
0600	a.....	1	4931402194	GUARD CAP					
0600	.bc.....	1	4931402196	GUARD CAP					
0601	abc.....	1	4931402072	CATCH LEVER					
0602	abc.....	1	4931402063	FLANGE					
0603	abc.....	1	4931402089	PRESSURE SPRING					
0604	abc.....	5	4931624491	SCREW					
0700	.b.....	1	4931402567	CARRYING CASE					
0702	abc.....	1	4932367712	PIN SPANNER					
0703	abc.....	1	4932209035	HANDLE					
0710	abc.....	1	4932263299	CLAMPING FLANGE					

Repairs/modification and testing of electric power tools are to be carried out by specialists. The safety regulations according to DIN/VDE/CEE/AFNOR and other regulations valid in the different countries are to be observed.