

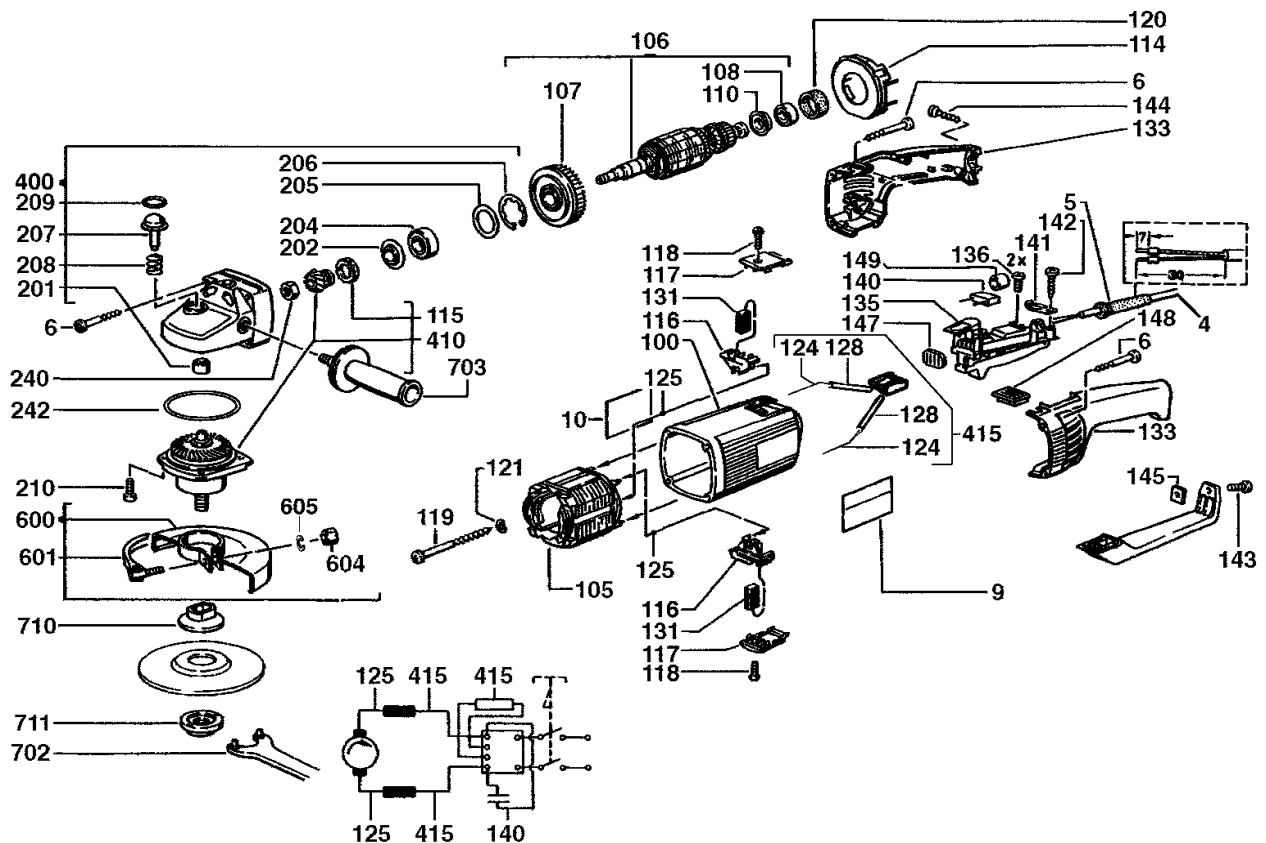
# A & M Electric Tools

# Angle Grinders

Ind	Product No.	Type	Voltage	Country
a	4000383921	AG20-230B	230V	IN2

Ind	Product No.	Type	Voltage	Country

Milwaukee			
AG 20-230 B			
Exp.view No.	Version	Date	Page
4926 3839 23	0005	14.03.05	1/2



Pos	Index	Quanti	Article No.	Designation	Pos	Index	Quanti	Article No.	Designation
0004	a.....	1	4931623311	CONNECTION CABLE	0131	a.....	1	4931369476	CARBON BRUSH
0005	a.....	1	4931217556	CABLE ENTRY SLEEVE	0133	a.....	1	4931362785	HANDLE
0006	a.....	8	4931622765	SCREW	0135	a.....	1	4931362784	SWITCH
0009	a.....	1	4931378792	TYPE PLATE	0136	a.....	2	4931940611	SCREW
0010	a.....	1	4931383912	RATING PLATE	0140	a.....	1	4931329272	CAPACITOR
0100	a.....	1	4931362783	MOTOR HOUSING	0141	a.....	1	4931329273	CABLE COLLAR
0105	a.....	1	4931313392	ELECTRIC FIELD	0142	a.....	1	4931013472	SCREW
0106	a.....	1	4931334396	ARMATURE	0143	a.....	1	4931622933	SCREW
0107	a.....	1	4931334394	FAN	0144	a.....	5	4931618253	SCREW
0108	a.....	1	4931805312	BALL BEARING	0145	a.....	1	4931300231	CLAMPING PIECE
0110	a.....	1	4931259633	SEAL RING	0147	a.....	1	4931329503	SEAL RING
0114	a.....	1	4931326156	AIR DEFLECTOR RING	0148	a.....	1	4931329122	SUPPORT
0115	a.....	1	4931329118	GREASE RETAIN.DIS	0149	a.....	1	4931341889	SPRING
0116	a.....	2	4931383281	BRUSH HOLDER	0201	a.....	1	4931621981	SLEEVE
0117	a.....	2	4931383888	COVER	0202	a.....	1	4931621629	DISC
0118	a.....	2	4931621528	SCREW	0204	a.....	1	4931624305	BALL BEARING
0119	a.....	2	4931259535	SCREW	0205	a.....	1	4931622897	DISC
0120	a.....	1	4931322656	RUBBER SLEEVE	0206	a.....	1	4931334400	LOCKING RING
0121	a.....	2	4931619992	SPRING WASHER	0207	a.....	1	4931329107	LOCKING BOLT
0124	a.....	2	4931622785	WIRE	0208	a.....	1	4931329173	PRESSURE SPRING
0125	a.....	2	4931622297	WIRE	0209	a.....	1	4931622764	O-RING
0128	a.....	2	4931334586	INSULATING HOSE	0210	a.....	4	4931624147	SCREW

Repairs/modification and testing of electric power tools are to be carried out by specialists. The safety regulations according to DIN/VDE/CEE/AFNOR and other regulations valid in the different countries are to be observed.

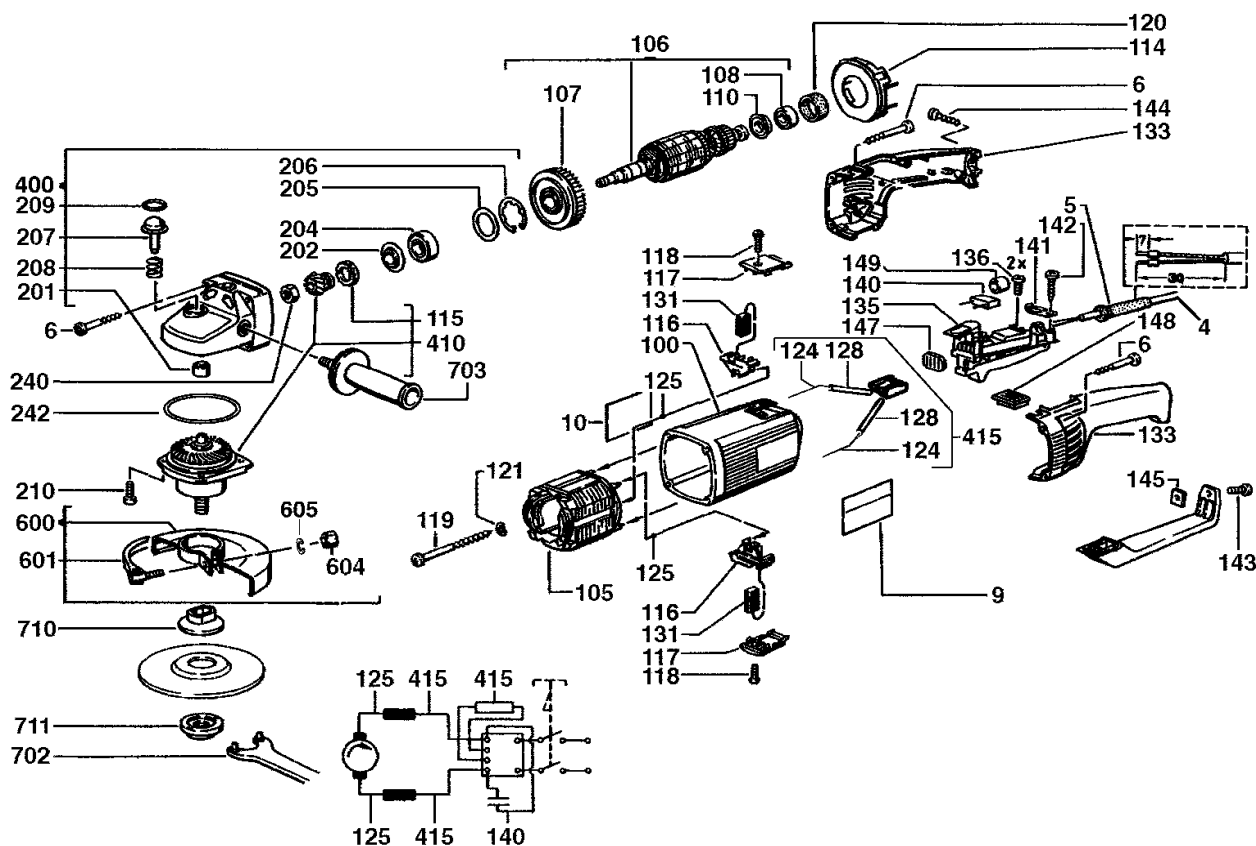
# A & M Electric Tools

# Angle Grinders

Ind	Product No.	Type	Voltage	Country
a	4000383921	AG20-230B	230V	IN2

Ind	Product No.	Type	Voltage	Country

Milwaukee			
AG 20-230 B			
Exp.view No.	Version	Date	Page
4926 3839 23	0005	14.03.05	2/2



Pos	Index	Quanti	Article No.	Designation
0240	a.....	1	4931329494	NUT
0242	a.....	1	9170317010	O-RING
0400	a.....	1	4931378799	GEAR BOX
0410	a.....	1	4931385668	DRIVE GEAR
0415	a.....	1	4931348084	RESISTOR
0600	a.....	1	4931383906	GUARD CAP
0601	a.....	1	4931383175	TENSION LEVER
0604	a.....	1	4931615586	NUT
0605	a.....	1	4931616932	SPRING WASHER
0702	a.....	1	4932367712	PIN SPANNER
0703	a.....	1	4932209035	HANDLE
0710	a.....	1	4932263299	CLAMPING FLANGE
0711	a.....	1	4932345629	FLANGE NUT

Pos	Index	Quanti	Article No.	Designation

Repairs/modification and testing of electric power tools are to be carried out by specialists. The safety regulations according to DIN/VDE/CEE/AFNOR and other regulations valid in the different countries are to be observed.