

A & M Electric Tools

Angle Grinders

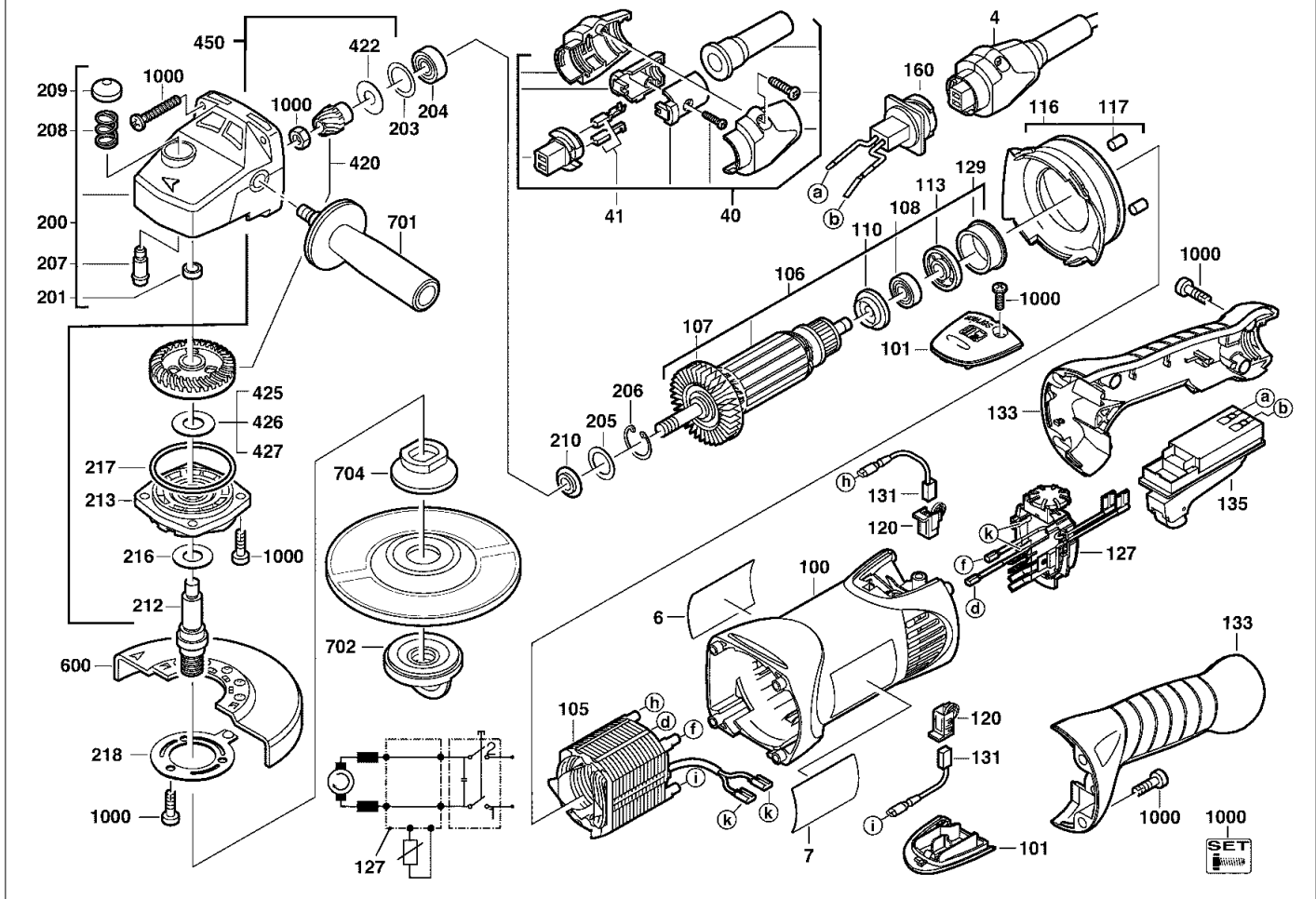
Milwaukee

AG 16-125 INOX

Exp.view No. Version Date Page
4926 3814 51 0005 04.10.07 1/2

| Ind | Product No. | Type | Voltage | Country |
|-----|-------------|--------------|----------|---------|
| a | 4000381450 | AG16-125INOX | 220-240V | IN2 |
| b | 4000391636 | AG16-125INOX | 220-240V | IN2 |
| c | 4000407044 | AG16-125INOX | 220-240V | IN2 |

| Ind | Product No. | Type | Voltage | Country |
|-----|-------------|------|---------|---------|
| | | | | |



| Pos | Index | Quanti | Article No. | Designation | Pos | Index | Quanti | Article No. | Designation |
|------|----------|--------|-------------|--------------------|------|----------|--------|-------------|--------------------|
| 0004 | abc..... | 1 | 4931624171 | CONNECTION CABLE | 0135 | a.c..... | 1 | 4931378983 | SWITCH |
| 0006 | a..... | 1 | 4931381452 | RATING PLATE | 0135 | .b..... | 1 | 4931378949 | SWITCH |
| 0006 | .b..... | 1 | 4931391639 | RATING PLATE | 0160 | abc..... | 1 | 4931364437 | INSERT |
| 0006 | ..c..... | 1 | 4931407046 | RATING PLATE | 0200 | abc..... | 1 | 4931378964 | GEAR BOX |
| 0007 | abc..... | 1 | 4931378806 | TYPE PLATE | 0201 | abc..... | 1 | 4931912093 | SLEEVE |
| 0040 | abc..... | 1 | 4931380758 | REPAIR KIT | 0203 | abc..... | 1 | 4931362085 | WASHER |
| 0041 | abc..... | 1 | 4931380763 | CABLE SOCKET P./10 | 0204 | abc..... | 1 | 4931368037 | GROOVED BALL BEAR. |
| 0100 | abc..... | 1 | 4931378768 | MOTOR HOUSING | 0205 | abc..... | 1 | 4931622761 | DISC |
| 0101 | abc..... | 2 | 4931378158 | COVER | 0206 | abc..... | 1 | 4931616614 | LOCKING RING |
| 0105 | abc..... | 1 | 4931378394 | ELECTRIC FIELD | 0207 | abc..... | 1 | 4931326929 | LOCKING BOLT |
| 0106 | abc..... | 1 | 4931362959 | ARMATURE | 0208 | abc..... | 1 | 4931326942 | PRESSURE SPRING |
| 0107 | abc..... | 1 | 4931341088 | FAN | 0209 | abc..... | 1 | 4931326930 | PUSH-BUTTON |
| 0108 | abc..... | 1 | 4931624360 | BALL BEARING | 0210 | abc..... | 1 | 4931624287 | WASHER |
| 0110 | abc..... | 1 | 4931271823 | INSULATING DISC | 0212 | abc..... | 1 | 4931369770 | SPINDLE |
| 0113 | abc..... | 1 | 4931307147 | MAGNETIC DISC | 0213 | abc..... | 1 | 4931378310 | BEARING END PLATE |
| 0116 | abc..... | 1 | 4931378135 | AIR DEFLECTOR RING | 0216 | abc..... | 1 | 4931623480 | DISC |
| 0117 | abc..... | 2 | 4931271824 | HOLDING-DOWN DEVIC | 0217 | abc..... | 1 | 4931623590 | SEAL RING |
| 0120 | abc..... | 2 | 4931382268 | BRUSH HOLDER | 0218 | abc..... | 1 | 4931345965 | SPRING WASHER |
| 0127 | abc..... | 1 | 4931378392 | ELECTRONIC ELEMENT | 0420 | ab..... | 1 | 4931407037 | BEVEL GEAR PAIR |
| 0129 | abc..... | 1 | 4931326953 | BEARING SLEEVE | 0420 | ..c..... | 1 | 4931407037 | BEVEL GEAR PAIR |
| 0131 | abc..... | 1 | 4931381391 | CARBON BRUSH SET | 0422 | abc..... | 1 | 4931362086 | WASHER |
| 0133 | abc..... | 1 | 4931378765 | HANDLE | 0425 | abc..... | 1 | 4931808473 | DISC |

Repairs/modification and testing of electric power tools are to be carried out by specialists. The safety regulations according to DIN/VDE/CEE/AFNOR and other regulations valid in the different countries are to be observed.

A & M Electric Tools

Angle Grinders

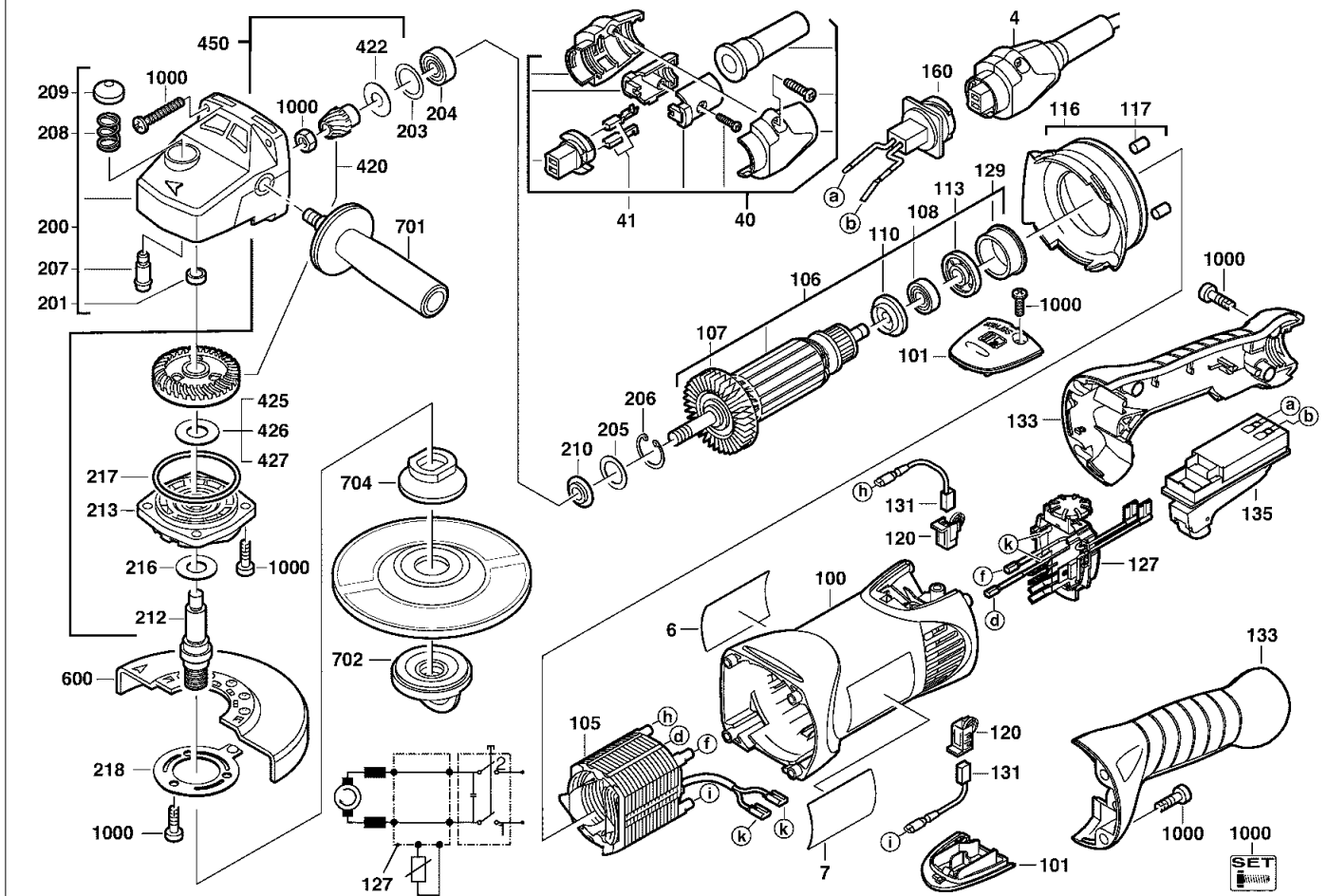
Milwaukee

AG 16-125 INOX

Exp.view No. Version Date Page
4926 3814 51 0005 04.10.07 2/2

| Ind | Product No. | Type | Voltage | Country |
|-----|-------------|--------------|----------|---------|
| a | 4000381450 | AG16-125INOX | 220-240V | IN2 |
| b | 4000391636 | AG16-125INOX | 220-240V | IN2 |
| c | 4000407044 | AG16-125INOX | 220-240V | IN2 |

| Ind | Product No. | Type | Voltage | Country |
|-----|-------------|------|---------|---------|
| | | | | |



| Pos | Index | Quanti | Article No. | Designation |
|------|----------|--------|-------------|-----------------|
| 0426 | abc..... | 1 | 4931925940 | DISC |
| 0427 | abc..... | 1 | 4931624256 | DISC |
| 0450 | ab..... | 1 | 4931391479 | DRIVE GEAR |
| 0450 | ..c..... | 1 | 4931407038 | GEAR KIT |
| 0600 | abc..... | 1 | 4931378168 | GUARD CAP |
| 0701 | abc..... | 1 | 4932279371 | HANDLE |
| 0702 | abc..... | 1 | 4932358225 | FIXTEC NUT |
| 0704 | abc..... | 1 | 4932263299 | CLAMPING FLANGE |
| 1000 | abc..... | 1 | 4931378570 | BOLT SET |

| Pos | Index | Quanti | Article No. | Designation |
|-----|-------|--------|-------------|-------------|
| | | | | |

Repairs/modification and testing of electric power tools are to be carried out by specialists. The safety regulations according to DIN/VDE/CEE/AFNOR and other regulations valid in the different countries are to be observed.