

A & M Electric Tools

Ind	Product No.	Type	Voltage	Country
a	4000369106	AG1000-125	220-230V	IN2
b	4000362865	AG1000-125X	110V	GB1
c	4000378576	AG1000-125	110V	GB1

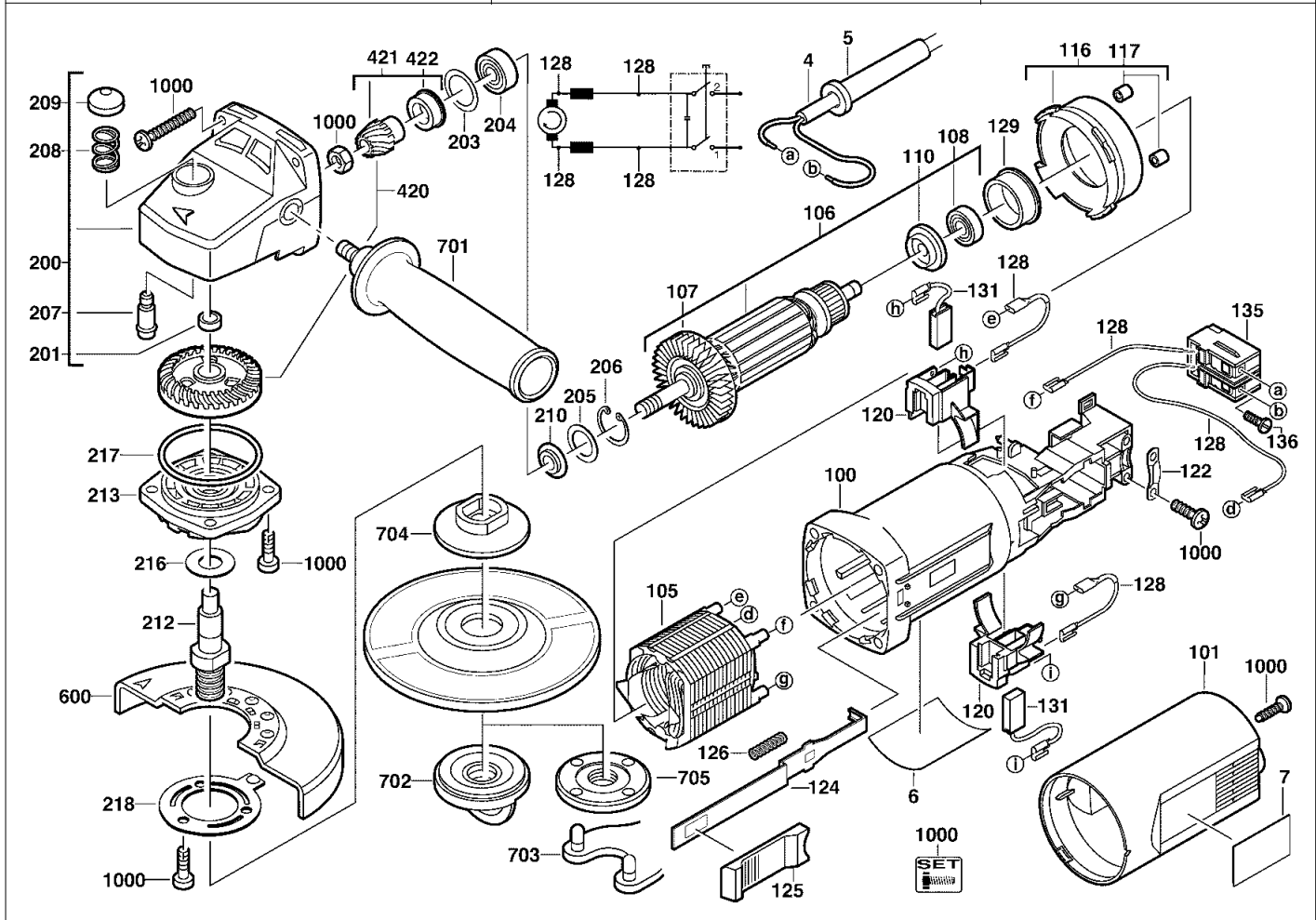
Angle Grinders

Atlas Copco

AG1000-125

AG1000-125X

Exp.view No. Version Date Page
4926 3628 69 0011 17.10.01 1/2



Pos	Index	Quanti	Article No.	Designation	Pos	Index	Quanti	Article No.	Designation
0004	a.....	1	4931623861	CONNECTION CABLE	0125	abc.....	1	4931362904	SLIDER
0004	.bc.....	1	4931623831	CONNECTION CABLE	0126	abc.....	1	4931326981	PRESSURE SPRING
0005	a.....	1	4931218785	CABLE ENTRY SLEEVE	0128	a.....	4	4931623735	WIRE
0005	.bc.....	1	4931206687	CABLE ENTRY SLEEVE	0128	.bc.....	4	4931623737	WIRE
0006	a.....	1	4931369109	RATING PLATE	0129	abc.....	1	4931326953	BEARING SLEEVE
0006	.b.....	1	4931362868	RATING PLATE	0131	a.....	1	4931369477	CARBON BRUSH SET
0006	.c.....	1	4931378578	RATING PLATE	0131	.bc.....	1	4931392592	CARBON BRUSH SET
0007	abc.....	1	4931355134	DATA PLATE	0135	abc.....	1	4931326976	SWITCH
0100	abc.....	1	4931326911	HOUSING	0136	abc.....	2	4931617313	SCREW
0101	abc.....	1	4931326966	HOUSING CAP	0200	abc.....	1	4931369768	GEAR BOX
0105	a.....	1	4931369166	ELECTRIC FIELD	0201	abc.....	1	4931912093	SLEEVE
0105	.bc.....	1	4931345135	ELECTRIC FIELD	0203	abc.....	1	4931362085	WASHER
0106	a.....	1	4931329327	ARMATURE	0204	abc.....	1	4931368037	GROOVED BALL BEAR.
0106	.bc.....	1	4931345136	ARMATURE	0205	abc.....	1	4931622761	DISC
0107	abc.....	1	4931341088	FAN	0206	abc.....	1	4931616614	LOCKING RING
0108	abc.....	1	4931901253	BALL BEARING	0207	abc.....	1	4931326929	LOCKING BOLT
0110	abc.....	1	4931271823	INSULATING DISC	0208	abc.....	1	4931326942	PRESSURE SPRING
0116	abc.....	1	4931326933	AIR DEFLECTOR RING	0209	abc.....	1	4931326930	PUSH-BUTTON
0117	abc.....	2	4931271824	HOLDING-DOWN DEVIC	0210	abc.....	1	4931622009	SEAL RING
0120	abc.....	2	4931326923	BRUSH HOLDER	0212	abc.....	1	4931369770	SPINDLE
0122	abc.....	1	4931256500	CABLE COLLAR	0213	abc.....	1	4931378310	BEARING END PLATE
0124	abc.....	1	4931326959	GUIDE PIECE	0216	abc.....	1	4931623480	DISC

Repairs/modification and testing of electric power tools are to be carried out by specialists. The safety regulations according to DIN/VDE/CEE/AFNOR and other regulations valid in the different countries are to be observed.

A & M Electric Tools

Angle Grinders

Ind	Product No.	Type	Voltage	Country
a	4000369106	AG1000-125	220-230V	IN2
b	4000362865	AG1000-125X	110V	GB1
c	4000378576	AG1000-125	110V	GB1

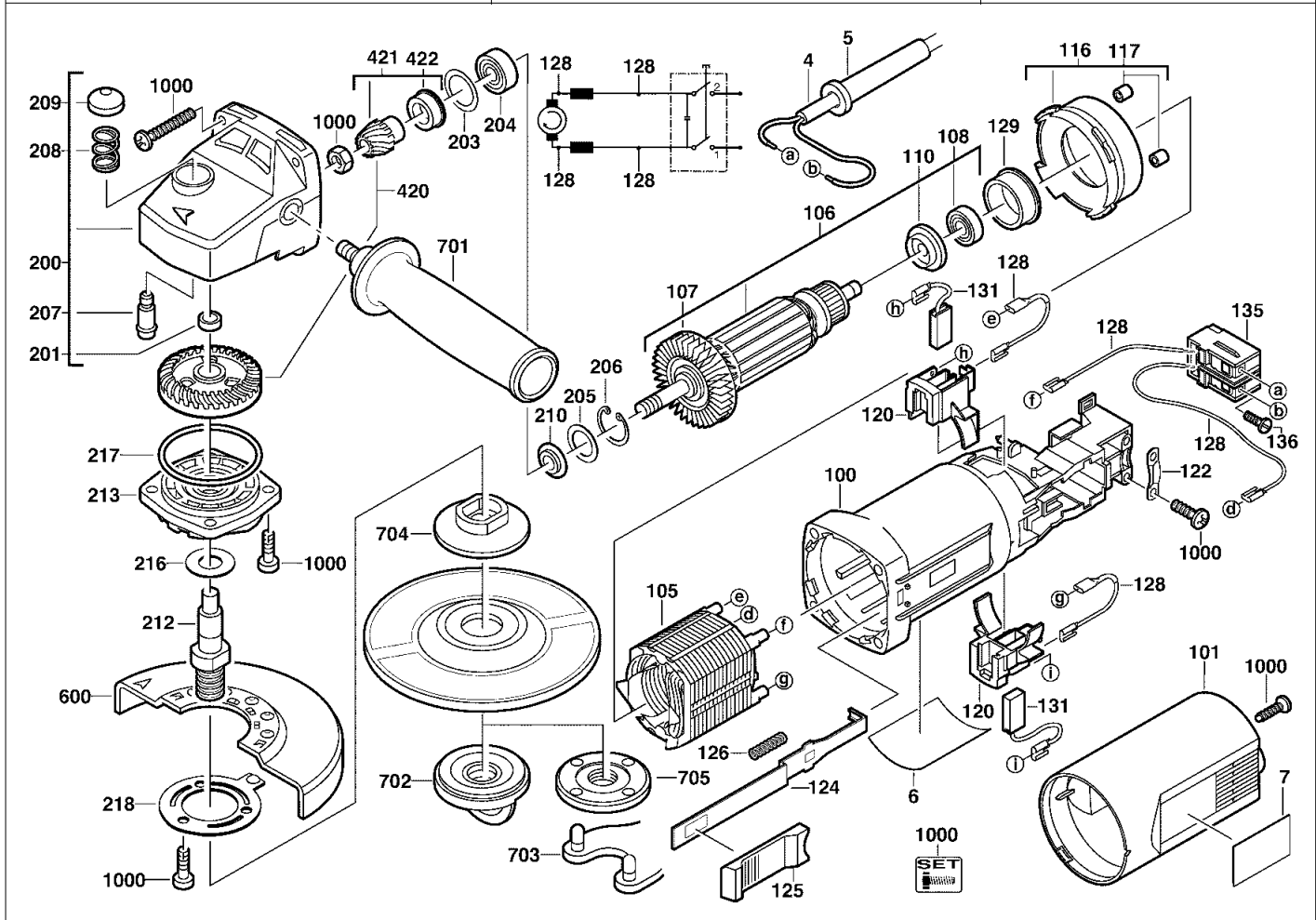
Ind	Product No.	Type	Voltage	Country

Atlas Copco

AG1000-125

AG1000-125X

Exp.view No. Version Date Page
4926 3628 69 0011 17.10.01 2/2



Pos	Index	Quanti	Article No.	Designation
0217	abc.....	1	4931623590	SEAL RING
0218	abc.....	1	4931345965	SPRING WASHER
0420	abc.....	1	4931369937	BEVEL GEAR PAIR
0421	abc.....	1	4931369934	PINION
0422	abc.....	1	4931369774	SEAL RING
0600	abc.....	1	4931378168	GUARD CAP
0701	abc.....	1	4932279371	HANDLE
0702	.b.....	1	4932358225	FIXTEC NUT
0703	a.c.....	1	4932367712	PIN SPANNER
0704	abc.....	1	4932263299	CLAMPING FLANGE
0705	a.c.....	1	4932345628	FLANGE NUT
1000	abc.....	1	4931362838	BOLT SET

Pos	Index	Quanti	Article No.	Designation

Repairs/modification and testing of electric power tools are to be carried out by specialists. The safety regulations according to DIN/VDE/CEE/AFNOR and other regulations valid in the different countries are to be observed.