

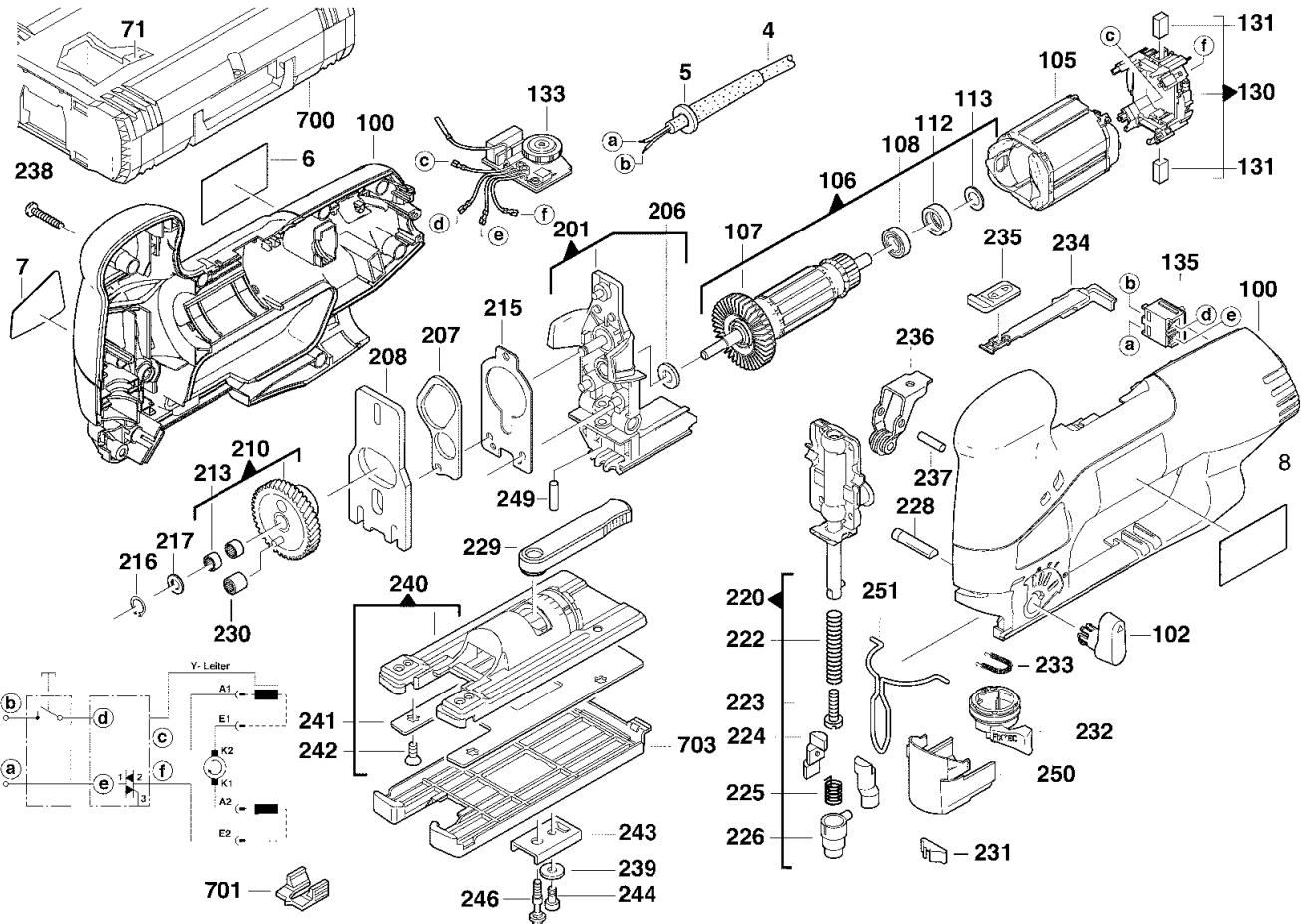
A & M Electric Tools

Ind	Product No.	Type	Voltage	Country
a	4000383626	JSPE90X	220-240V	IN2
b	4000378811	JSPE90X	240V	AUS
c	4000383630	JSPE90X	240V	GB2
d	4000383636	JSPE90X	110V	GB1

Jig Saws

Milwaukee
JSPE 90 X

Exp.view No. Version Date Page
4926 3788 18 0006 08.02.08 1/2



Pos	Index	Quanti	Article No.	Designation	Pos	Index	Quanti	Article No.	Designation
0004	a.....	1	4931623618	CONNECTION CABLE	0130	abc.....	1	4931357548	BRUSH MODULE
0004	.b.....	1	4931624333	CONNECTION CABLE	0130	...d.....	1	4931357684	BRUSH MODULE
0004	..c.....	1	4931623820	CONNECTION CABLE	0131	abc.....	1	4931392597	CARBON BRUSH SET
0004	...d.....	1	4931623840	CONNECTION CABLE	0131	...d.....	1	4931392598	CARBON BRUSH SET
0005	abcd.....	1	4931206687	CABLE ENTRY SLEEVE	0133	abc.....	1	4931357533	ELECTRONIC ELEMENT
0006	a.....	1	4931383628	RATING PLATE	0133	...d.....	1	4931357737	ELECTRONIC ELEMENT
0006	.b.....	1	4931378816	RATING PLATE	0135	abcd.....	1	4931351849	SWITCH
0006	..c.....	1	4931383633	RATING PLATE	0201	abcd.....	1	4931357893	PILLOW BLOCK
0006	...d.....	1	4931383638	RATING PLATE	0206	abcd.....	1	4931357000	FELT WASHER
0007	abcd.....	1	4931357688	SAW TABLE	0207	abcd.....	1	4931357522	ROCKER BAR
0008	abcd.....	1	4931378806	TYPE PLATE	0208	abcd.....	1	4931381109	BALANCE WEIGHT
0071	abcd.....	1	4931378501	INSERT	0210	abcd.....	1	4931357515	GEAR
0100	abcd.....	1	4931381043	BODY	0213	abcd.....	2	4931219422	NEEDLE BEARING
0102	abcd.....	1	4931378812	SWITCH HANDLE	0215	abcd.....	1	4931357577	SHIM
0105	abc.....	1	4931357534	ELECTRIC FIELD	0216	abcd.....	1	4931605092	RING
0105	...d.....	1	4931357652	ELECTRIC FIELD	0217	abcd.....	1	4931621830	DISC
0106	abc.....	1	4931357648	ARMATURE	0220	abcd.....	1	4931357525	RAM
0106	...d.....	1	4931357540	ARMATURE	0222	abcd.....	1	4931357686	PRESSURE SPRING
0107	abcd.....	1	4931330633	FAN	0223	abcd.....	1	4931623102	SCREW
0108	abcd.....	1	4931902888	BALL BEARING	0224	abcd.....	2	4931330303	CENTERING JAW
0112	abcd.....	1	4931306351	RUBBER SLEEVE	0225	abcd.....	1	4931330301	TORSION SPRING
0113	abcd.....	1	4931621834	WASHER	0226	abcd.....	1	4931330494	COLLET

Repairs/modification and testing of electric power tools are to be carried out by specialists. The safety regulations according to DIN/VDE/CEE/AFNOR and other regulations valid in the different countries are to be observed.

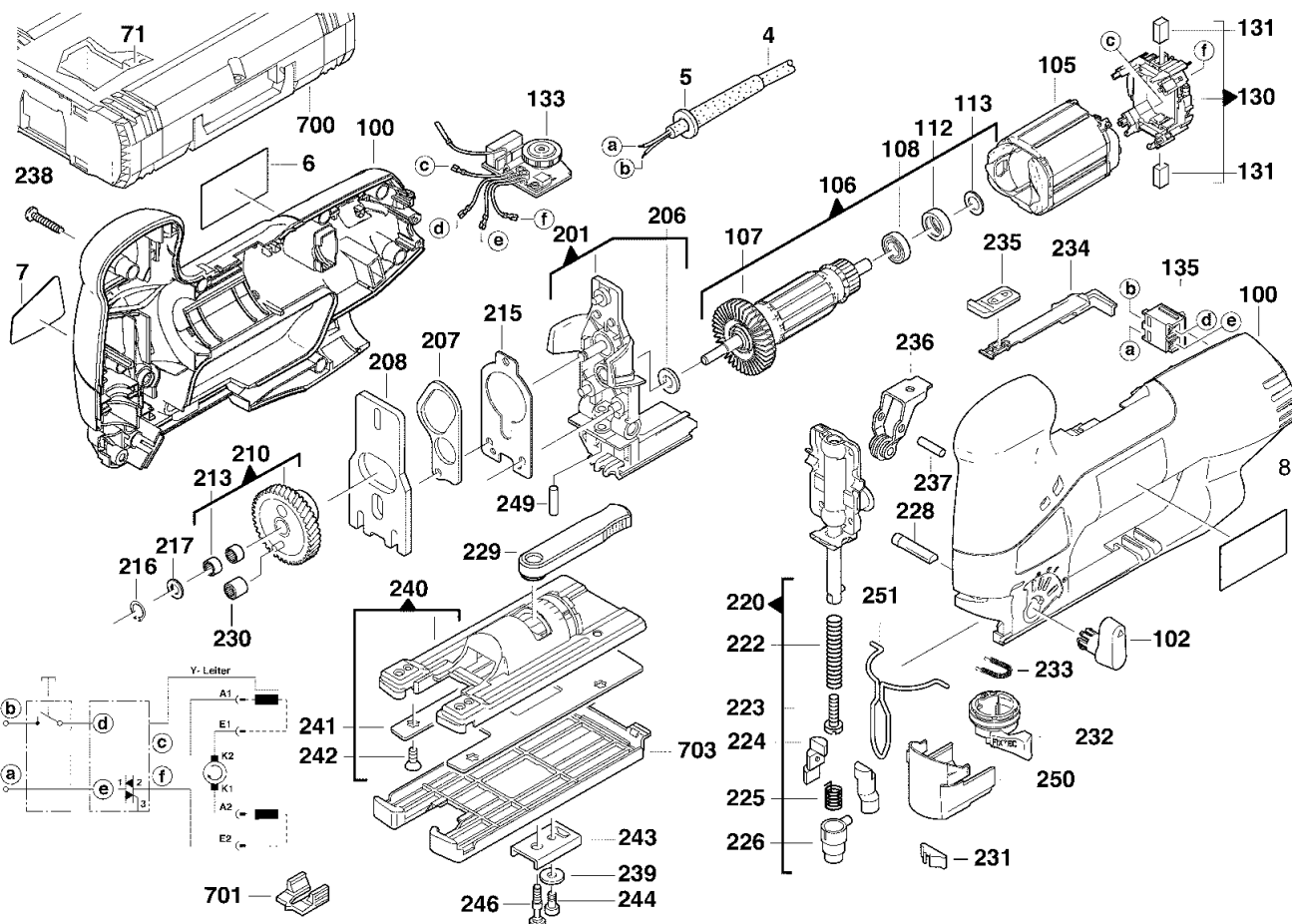
A & M Electric Tools

Jig Saws

Milwaukee
JSPE 90 X

Ind	Product No.	Type	Voltage	Country	Ind	Product No.	Type	Voltage	Country
a	4000383626	JSPE90X	220-240V	IN2					
b	4000378811	JSPE90X	240V	AUS					
c	4000383630	JSPE90X	240V	GB2					
d	4000383636	JSPE90X	110V	GB1					

Exp.view No. Version Date Page
4926 3788 18 0006 08.02.08 2/2



Pos	Index	Quanti	Article No.	Designation	Pos	Index	Quanti	Article No.	Designation
0228	abcd.....	1	4931381103	INDEXING BOLT	0701	abcd.....	1	4932357682	ANT-CHIPPING DEVICE
0229	abcd.....	1	4931381610	TENSION LEVER	0703	abcd.....	1	4932357881	GUIDE SHOE
0230	abcd.....	1	4931361376	NEEDLE BUSH					
0231	abcd.....	1	4931330474	PLATE SPRING					
0232	abcd.....	1	4931378813	SLEEVE					
0233	abcd.....	1	4931330437	SPRING					
0234	abcd.....	1	4931357489	GUIDE PIECE					
0235	abcd.....	1	4931381298	SLIDER					
0236	abcd.....	1	4931330051	HOLDER					
0237	abcd.....	1	4931621888	PIN					
0238	abcd.....	9	4931618253	SCREW					
0239	abcd.....	1	4931622131	DISC					
0240	abcd.....	1	4931381623	GROUND PLATE					
0241	abcd.....	1	4931357605	SLIDE PLATE					
0242	abcd.....	4	4931310396	SCREW					
0243	abcd.....	1	4931357588	THRUST PIECE					
0244	abcd.....	1	4931300699	SCREW					
0246	abcd.....	1	4931357598	SCREW					
0249	abcd.....	1	4931357583	CYLINDER PIN					
0250	abcd.....	1	4931357552	DUST CAP					
0251	abcd.....	1	4931357584	WIRE STRAP					
0700	abcd.....	1	4932378986	CARRYING CASE					

Repairs/modification and testing of electric power tools are to be carried out by specialists. The safety regulations according to DIN/VDE/CEE/AFNOR and other regulations valid in the different countries are to be observed.