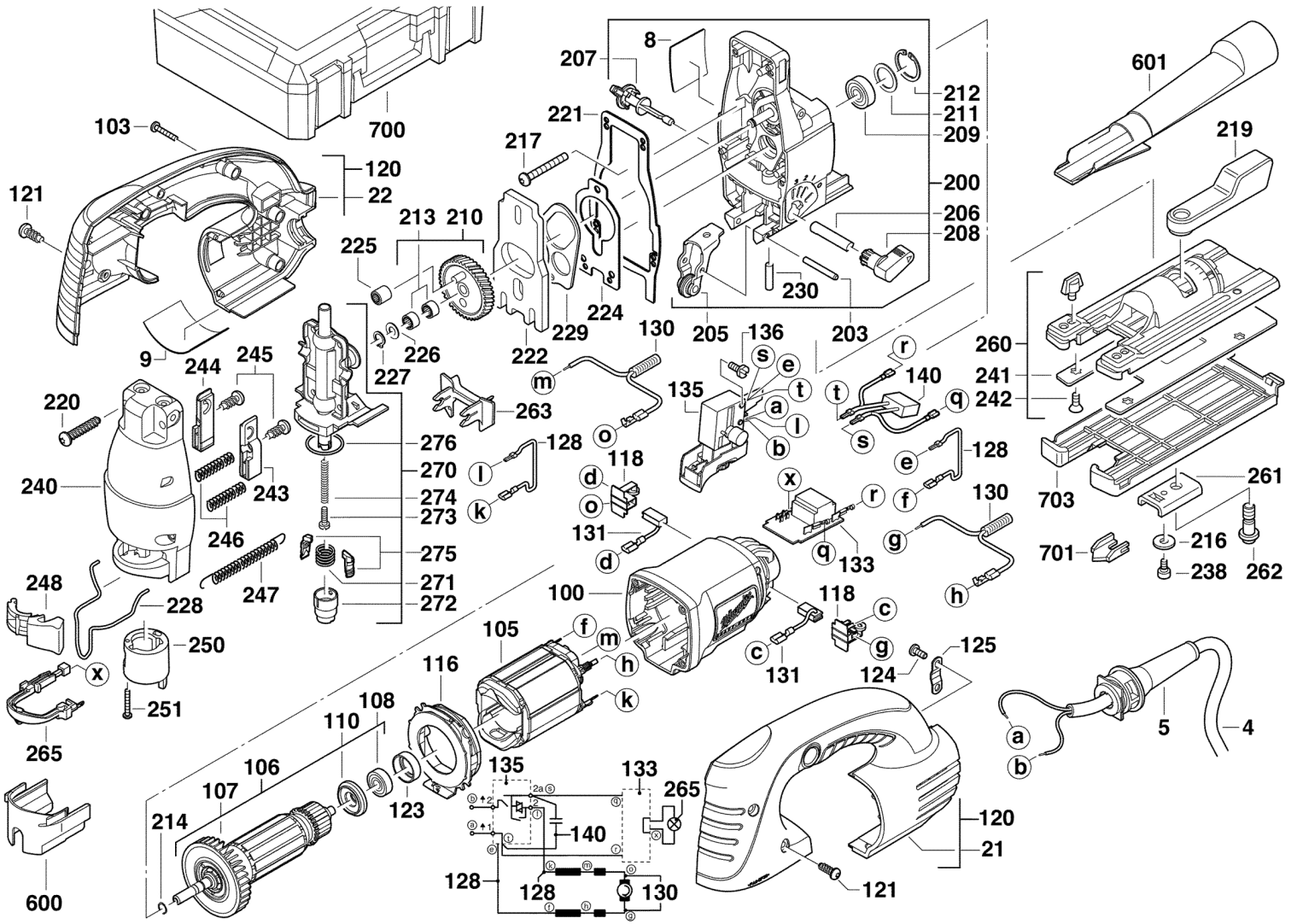


PENDULUM JIG SAW

4933415470 - JSPE135TX - 4000415471



Position	Quantity	Description	Part number	EAN
0005	1	PROTECTING COVER	4931393422	4002395752836
0008	1	SAW TABLE	4931381659	4002395748877
0009	1	RATING PLATE	4931415467	4002395821587
0021	1	PAIR HANDLE SHELLS	4931381227	4002395736461
0022	1	PAIR HANDLE SHELLS	4931381227	4002395736461
0100	1	MOTOR HOUSING	4931381333	4002395736478
0103	4	SCREW	4931618253	4002395694945
0105	1	ELECTRIC FIELD	4931381146	4002395710966
0106	1	ARMATURE	4931381086	4002395841790
0107	1	FAN	4931368347	4002395671519
0108	1	BALL BEARING	4931902888	4002395706372
0110	1	INSULATING DISC	4931385658	4002395719846
0116	1	AIR DEFLECTOR RING	4931368649	4002395743551
0118	2	BRUSH HOLDER	4931368633	4002395746545
0120	1	PAIR HANDLE SHELLS	4931381227	4002395736461
0121	4	SCREW	4931623048	4002395700189
0123	1	RUBBER SLEEVE	4931368374	4002395671601
0124	2	SCREW	4931624538	4002395760039
0125	1	CABLE COLLAR	4931256500	4002395586547
0128	2	WIRE	4931253752	4002395586288
0130	2	CHOKING COIL	4931369504	4002395673568
0131	1	CARBON BRUSH SET	4931381666	4002395748952
0133	1	PRINTED CIRC. BOARD	4931381628	4002395744855
0135	1	SWITCH	4931381340	4002395746613
0136	2	SCREW	4931621772	4002395695973
0140	1	CAPACITOR	4931381654	4002395746019
0200	1	GEAR BOX	4931412831	4002395799459
0203	1	PIN D 6325 4 M6X32	4931621942	4002395696307
0205	1	HOLDER	4931330051	4002395611133
0206	1	INDEXING BOLT	4931381103	4002395709397
0207	1	SWITCH	4931381156	4002395713424
0208	1	SWITCH HANDLE	4931378812	4002395684762
0209	1	BALL BEARING	4931901253	4002395706358
0210	1	GEAR	4931357515	4002395649549
0211	1	SEALING WASHER 21,8X15,8X0,2	4931803914	4002395705856
0212	1	LOCKING RING D 472 22X1	4931613683	4002395694181
0213	2	NEEDLE BEARING	4931219422	4002395583867
0214	1	LOCKING RING D 471 7X0,8	4931621828	4002395696130
0216	1	DISC	4931622131	4002395696857
0217	4	SCREW D 7981 3,9X32	4931621515	4002395695508
0219	1	TENSION LEVER	4931381609	4002395743568
0220	4	SCREW	4931623020	4002395700073
0221	1	SEAL	4931381656	4002395746538
0222	1	BALANCE WEIGHT	4931381109	4002395709403
0224	1	SHIM	4931357577	4002395649730
0225	1	NEEDLE BUSH	4931361376	4002395657766
0226	1	DISC N874237 6,1X12X0,5	4931621830	4002395696154
0227	1	RING D471 6X0,7	4931605092	4002395693580
0228	1	WIRE STRAP	4931357982	4002395711079
0229	1	ROCKER BAR	4931357522	4002395649563

Position	Quantité	Désignation	Référence	EAN
0230	1	CYLINDER PIN	4931381112	4002395711062
0238	1	SCREW	4931300699	4002395591060
0240	1	GEAR BOX COVER	4931412834	4002395798643
0241	1	GROUND PLATE	4931357605	4002395794058
0242	4	SCREW	4931310396	4002395721542
0243	1	SLIDE BEARING	4931357986	4002395715848
0244	1	SLIDE BEARING	4931357985	4002395715831
0245	2	SCREW	4931317532	4002395600175
0246	2	PRESSURE SPRING	4931341759	4002395627066
0247	1	TENSION SPRING	4931330453	4002395611997
0248	1	SWITCH LEVER	4931381159	4002395713448
0250	1	INDEXING SLEEVE	4931381158	4002395713431
0251	1	SCREW	4931624172	4002395711178
0260	1	GROUND PLATE	4931412827	4002395794058
0261	1	THRUST PIECE	4931357588	4002395649785
0262	1	SCREW	4931381124	4002395711154
0263	1	COVER	4931381638	4002395745708
0265	1	HOLDER	4931381603	4002395746569
0270	1	RAM	4931357693	4002395650026
0271	1	TORSION SPRING	4931330424	4002395611911
0272	1	COLLET	4931330494	4002395612079
0273	1	SCREW	4931623102	4002395700394
0274	1	PRESSURE SPRING	4931357686	4002395649983
0275	2	CENTERING JAW	4931330303	4002395611669
0276	1	SEAL RING	4931623091	4002395700363
0600	1	DUST CAP	4931357987	4002395716845
0601	1	SUCTION SLEEVE	4931357983	4002395714865
0701	1	ANT-CHIPPING DEVICE (3 PCS) P1 A/M	4932357682	4002395344147
0703	1	GUIDE SHOE JSPE90X P1 A/M	4932357881	4002395346387