

A & M Electric Tools

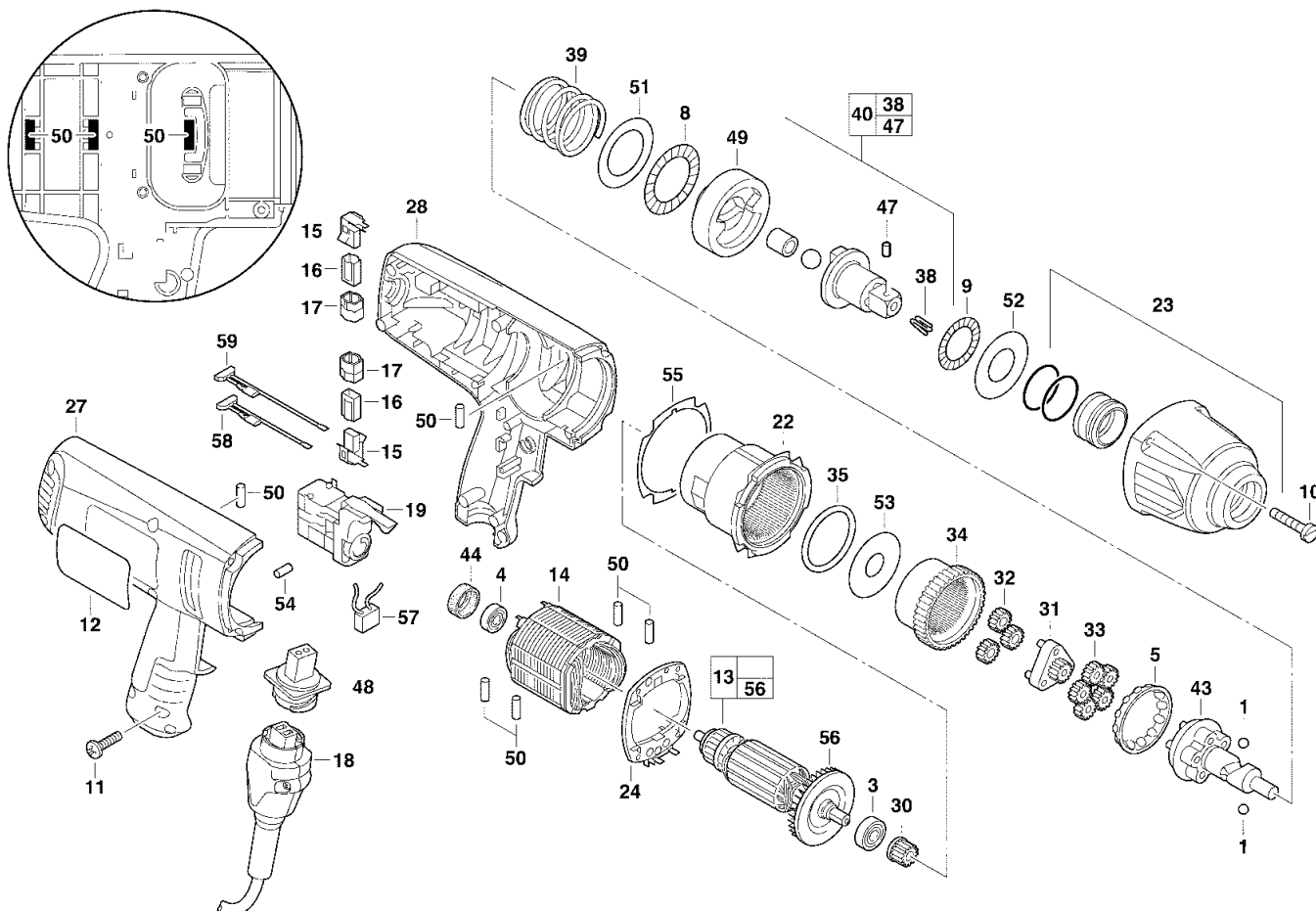
Ind	Product No.	Type	Voltage	Country
a	4000384549	IPWE400RQ	220-240V	IN2
b	4000384549	IPWE400RQ	220-240V	AUS
c	4000384549	IPWE400RQ	220-240V	GB2
d	4000384549	IPWE400RQ	220-240V	CH2
e	4000384550	IPWE400RQ	110-120V	GB1

Various tools

Milwaukee

IPWE 400 RQ

Exp.view No. Version Date Page
4926 3929 84 0001 07.10.04 1/2



Pos	Index	Quanti	Article No.	Designation	Pos	Index	Quanti	Article No.	Designation
0001	abcde.....	2	02020250	BALL	0028	abcde.....	1	31442181	HANDLE LEFT
0003	abcde.....	1	02040852	BALL BEARING	0030	abcde.....	1	32600150	GEAR
0004	abcde.....	1	02040645	BALL BEARING	0031	abcde.....	1	32600175	GEAR
0005	abcde.....	1	02400050	BEARING	0032	abcde.....	3	32620215	PLANET GEAR
0008	abcde.....	1	02800200	BEARING	0033	abcde.....	5	32620215	PLANET GEAR
0009	abcde.....	1	02803256	BEARING	0034	abcde.....	1	32650005	GEAR
0010	abcde.....	4	05885988	SCREW	0035	abcde.....	1	34400070	O-RING
0011	abcde.....	6	06956290	SCREW	0038	abcde.....	1	40508320	SPRING
0012	abcde.....	1	12209074	NAME PLATE	0039	abcde.....	1	40500241	SPRING
0013	abcd.....	1	16142220	ARMATURE	0040	abcde.....	1	14730145	ANVIL
0013e.....	1	16102275	ARMATURE	0043	abcde.....	1	14730300	SHAFT
0014	abcd.....	1	18042210	ELECTRIC FIELD	0044	abcde.....	1	42960015	BEARING
0014e.....	1	18072275	ELECTRIC FIELD	0047	abcde.....	1	44601170	PIN
0015	abcde.....	2	22180040	BRUSH HOLDER COMP	0048	abcd.....	1	22569072	BLADE HOUSING
0016	abcde.....	2	22200110	BRUSH HOLDER COMP	0048e.....	1	22560040	GEAR BOX HOUSING
0017	abcde.....	2	22200465	BRUSH HOLDER	0049	abcde.....	1	44820205	RAM
0018e.....	1	22640676	CABLE	0050	abcde.....	6	45300025	HOLDING-DOWN DEVIC
0019	abcde.....	1	23662775	SWITCH	0051	abcde.....	1	45880535	WASHER
0022	abcde.....	1	28140175	GEAR CASE	0052	abcde.....	1	45881575	WASHER
0023	abcde.....	1	14380100	HOUSING	0053	abcde.....	1	45883250	WASHER
0024	abcde.....	1	31152045	AIR DEFLECTOR RING	0054	abcde.....	1	45300021	BALL
0027	abcde.....	1	31442176	HANDLE RIGHT	0055	abcde.....	1	43440991	GASKET

Repairs/modification and testing of electric power tools are to be carried out by specialists. The safety regulations according to DIN/VDE/CEE/AFNOR and other regulations valid in the different countries are to be observed.

A & M Electric Tools

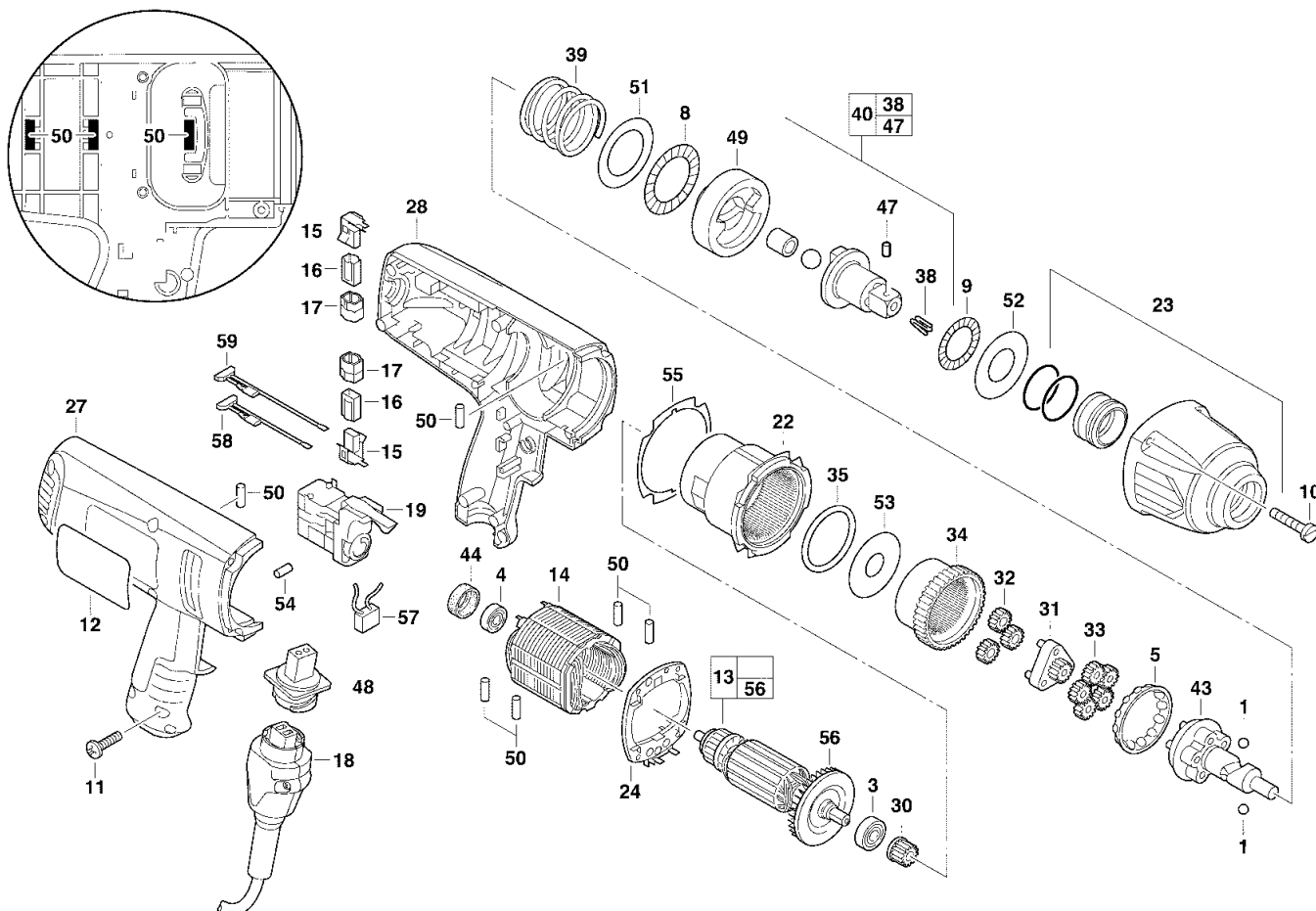
Various tools

Ind	Product No.	Type	Voltage	Country
a	4000384549	IPWE400RQ	220-240V	IN2
b	4000384549	IPWE400RQ	220-240V	AUS
c	4000384549	IPWE400RQ	220-240V	GB2
d	4000384549	IPWE400RQ	220-240V	CH2
e	4000384550	IPWE400RQ	110-120V	GB1

Ind	Product No.	Type	Voltage	Country

Milwaukee
IPWE 400 RQ

Exp.view No. Version Date Page
4926 3929 84 0001 07.10.04 2/2



Pos	Index	Quanti	Article No.	Designation
0056	abcde.....	1	22840375	FAN
0057	abcde.....	1	22330550	CAPACITOR
0058	abcd.....	1	23940275	WIRE
0058e.....	1	23940260	CLAMP
0059	abcd.....	1	23940276	WIRE
0059e.....	1	23940265	CLAMP

Pos	Index	Quanti	Article No.	Designation