

A & M Electric Tools

Circular Saws

Milwaukee

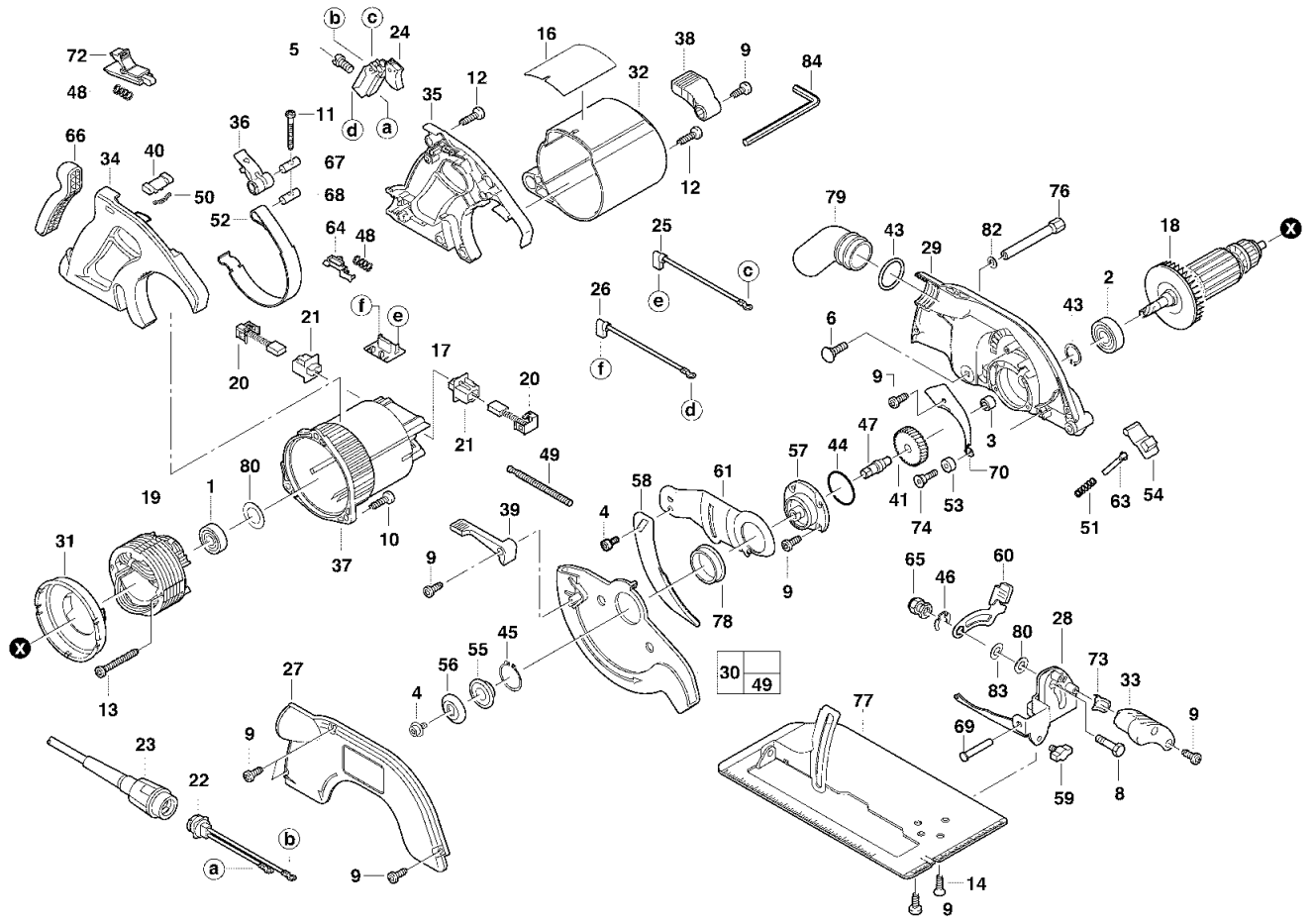
SCS 65 Q

Exp.view No. Version Date Page

4926 3937 20 0001 12.10.06 1/2

Ind	Product No.	Type	Voltage	Country
a	4000393719	SCS65Q	220-240V	IN2
b	4000393719	SCS65Q	220-240V	AUS
c	4000393719	SCS65Q	220-240V	GB2
d	4000393719	SCS65Q	220-240V	CH
e	4000393721	SCS65Q	110V	GB1

Ind	Product No.	Type	Voltage	Country



Pos	Index	Quanti	Article No.	Designation	Pos	Index	Quanti	Article No.	Designation
0001	abcde.....	1	02040847	BALL BEARING	0021	abcde.....	2	22220030	BRUSH HOLDER COMP
0002	abcde.....	1	02041850	BALL BEARING	0022	abcd.....	1	22560857	HOUSING
0003	abcde.....	1	02502423	BALL BEARING	0022	...e.....	1	22560045	BLADE HOUSING
0004	abcde.....	2	05890055	SCREW	0023	a.....	1	4931624171	CONNECTION CABLE
0005	abcde.....	4	05780305	SCREW	0023	.b.....	1	4931624342	CONNECTION CABLE
0006	abcde.....	1	06100710	BOLT	0023	.c.....	1	4931624184	CONNECTION CABLE
0008	abcde.....	1	06755850	BOLT	0023	.d.....	1	4931624181	CONNECTION CABLE
0009	abcde.....	13	06825314	SCREW	0023	...e.....	1	22640677	CONNECTION CABLE
0010	abcde.....	3	06825358	PIN	0024	abcde.....	1	23662117	SWITCH
0011	abcde.....	1	06825474	PIN	0025	abcde.....	1	23941180	CABLE
0012	abcde.....	10	06827270	SCREW	0026	abcde.....	1	23941185	CABLE
0013	abcde.....	2	06827395	PIN	0027	abcde.....	1	25200135	COVER
0014	abcde.....	3	06828875	SCREW	0028	abcde.....	1	14670260	BRACKET
0016	abcd.....	1	12206380	RATING PLATE	0029	abcde.....	1	28140110	GEAR CASE
0016	...e.....	1	12200051	NAME PLATE	0030	abcde.....	1	28411052	COVER
0017	abcde.....	1	14201325	CAPACITOR	0031	abcde.....	1	31050045	AIR DEFLECTOR RING
0018	abcd.....	1	16740060	ARMATURE	0032	abcde.....	1	31150461	COVER
0018	...e.....	1	16700057	ARMATURE	0033	abcde.....	1	31440060	HANDLE
0019	abcd.....	1	18741045	ELECTRIC FIELD	0034	abcde.....	1	31440083	HANDLE RIGHT
0019	...e.....	1	18701045	ELECTRIC FIELD	0035	abcde.....	1	31440093	HANDLE LEFT
0020	abcd.....	2	22180085	BRUSH HOLDER COMP	0036	abcde.....	1	31442157	HANDLE
0020	...e.....	2	22180075	CARBON BRUSH	0037	abcde.....	1	31500050	HOUSING

Repairs/modification and testing of electric power tools are to be carried out by specialists. The safety regulations according to DIN/VDE/CEE/AFNOR and other regulations valid in the different countries are to be observed.

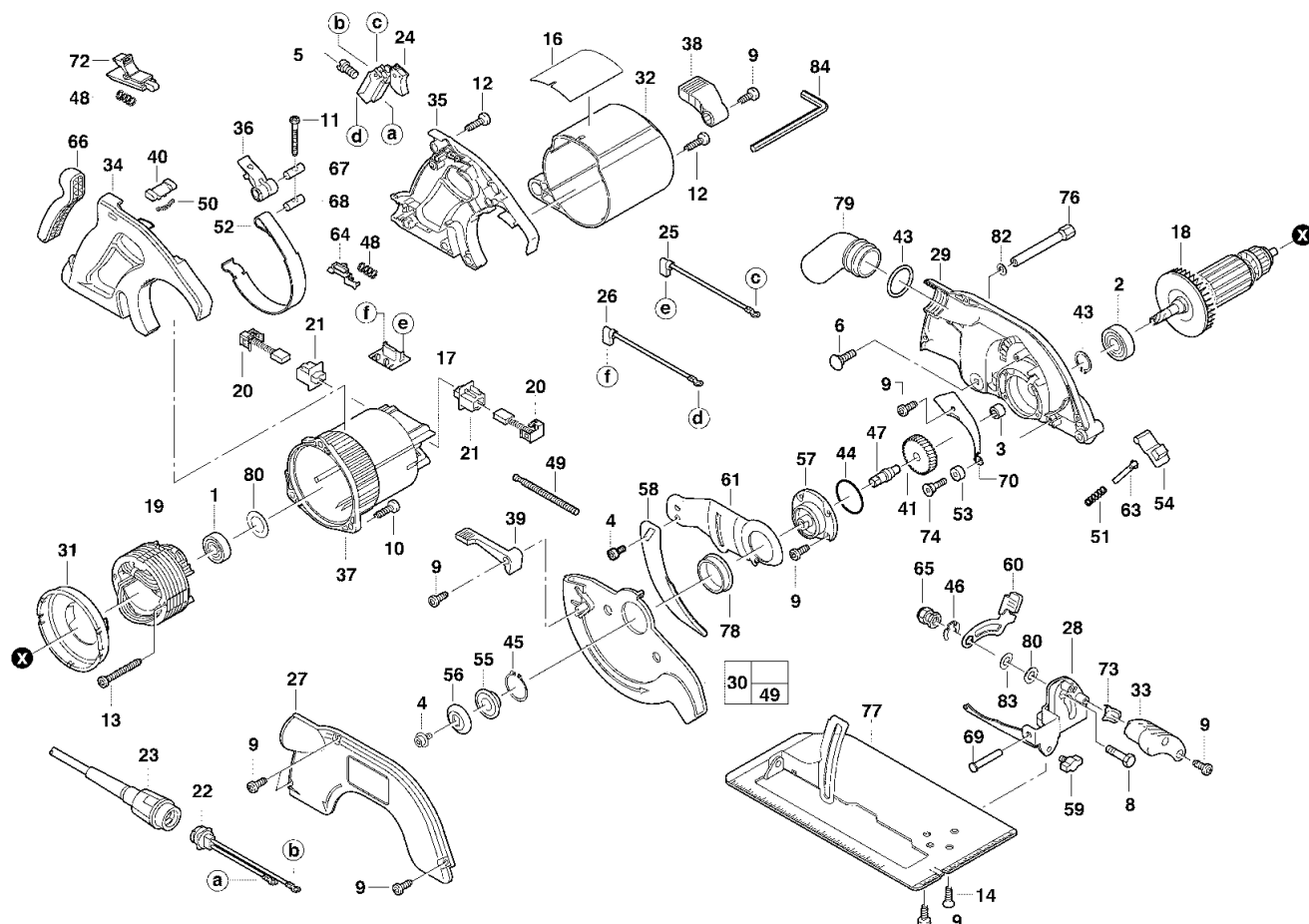
A & M Electric Tools

Circular Saws

Ind	Product No.	Type	Voltage	Country
a	4000393719	SCS65Q	220-240V	IN2
b	4000393719	SCS65Q	220-240V	AUS
c	4000393719	SCS65Q	220-240V	GB2
d	4000393719	SCS65Q	220-240V	CH
e	4000393721	SCS65Q	110V	GB1

Ind	Product No.	Type	Voltage	Country

Milwaukee			
SCS 65 Q			
Exp.view No.	Version	Date	Page
4926 3937 20	0001	12.10.06	2/2



Pos	Index	Quanti	Article No.	Designation	Pos	Index	Quanti	Article No.	Designation
0038	abcde.....	1	31520015	STOP	0061	abcde.....	1	44140225	PLATE
0039	abcde.....	1	31520025	STOP	0063	abcde.....	1	44200510	SPINDLE
0040	abcde.....	1	31760016	DRIVER	0064	abcde.....	1	44200640	SLIDE
0041	abcde.....	1	32753205	GEAR	0065	abcde.....	1	44400780	ADJUSTING NUT
0043	abcde.....	2	34401375	O-RING	0066	abcde.....	1	44520682	HANDLE
0044	abcde.....	1	34401380	O-RING	0067	abcde.....	1	44600075	PIN
0045	abcde.....	1	34600320	THRUST COLLAR	0068	abcde.....	1	44600085	PIN
0046	abcde.....	1	34602330	RING	0069	abcde.....	1	44601180	PIN
0047	abcde.....	1	38500065	SPINDLE	0070	abcde.....	1	44660075	LATCH PLATE
0048	abcde.....	2	40500055	SPRING	0072	abcde.....	1	44660201	PLATE
0049	abcde.....	1	14320135	GUARD CAP	0073	abcde.....	1	44720050	POINTER
0050	abcde.....	1	40500270	SPRING	0074	abcde.....	1	45040485	SCREW
0051	abcde.....	1	40508040	PRESSURE SPRING	0076	abcde.....	1	45080416	SHAFT
0052	abcde.....	1	42160160	HANDLE	0077	abcde.....	1	45160165	STOP
0053	abcde.....	1	42380222	GUARD	0078	abcde.....	1	45220605	SLEEVE
0054	abcde.....	1	42420275	SPINDLE	0079	abcde.....	1	45760331	TUBE
0055	abcde.....	1	43340480	SPRING	0080	abcde.....	2	45880577	WASHER
0056	abcde.....	1	43340485	FLANGE	0082	abcde.....	1	45888461	WASHER
0057	abcde.....	1	43780155	BODY	0083	abcde.....	1	45888460	WASHER
0058	abcde.....	1	43970075	KNIFE	0084	abcde.....	1	49960345	WRENCH CHAIN
0059	abcde.....	1	43980615	KNOB					
0060	abcde.....	1	44100130	LEVER					

Repairs/modification and testing of electric power tools are to be carried out by specialists. The safety regulations according to DIN/VDE/CEE/AFNOR and other regulations valid in the different countries are to be observed.