

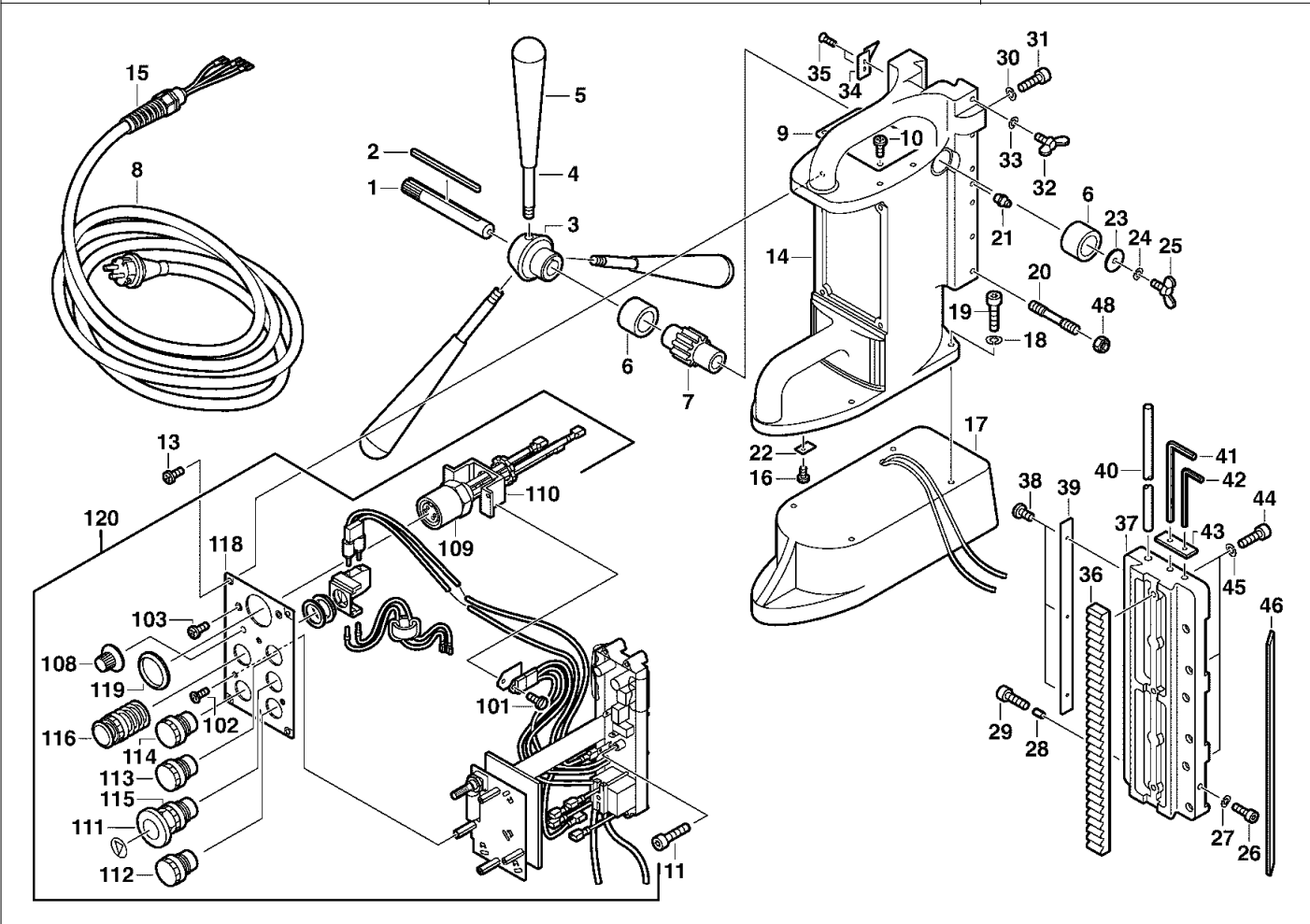
A & M Electric Tools

Ind	Product No.	Type	Voltage	Country
a	4000384496	MDSRE	220	240V

Ind	Product No.	Type	Voltage	Country

Drill accessories

Exp.view No.	Version	Date	Page
4926 3844 97	0001	01.10.02	1/2



Pos	Index	Quanti	Article No.	Designation	Pos	Index	Quanti	Article No.	Designation
0001	a.....	1	45080160	SHAFT	0024	a.....	1	06974050	WASHER
0002	a.....	1	06423750	KEY	0025	a.....	1	06880110	SCREW
0003	a.....	1	43780265	HANDLE	0026	a.....	1	06752900	SCREW
0004	a.....	3	43620060	HANDLE	0027	a.....	1	06974050	WASHER
0005	a.....	3	43980095	HANDLE	0028	a.....	2	45300160	THRUST COLLAR
0006	a.....	2	42400060	BUSHING	0029	a.....	2	06753090	SCREW
0007	a.....	1	32602120	PINION	0030	a.....	1	06974050	WASHER
0008	a.....	1	22644010	CABLE SET	0031	a.....	1	06752900	SCREW
0009	a.....	1	12993276	NAME PLATE	0032	a.....	1	06880110	SCREW
0010	a.....	4	06950075	SCREW	0033	a.....	1	45300160	THRUST COLLAR
0011	a.....	3	06810095	SCREW	0034	a.....	1	43820080	MEASUR.INSTRUMENT
0013	a.....	4	06827252	SCREW	0035	a.....	2	06827252	SCREW
0014	a.....	1	28507800	FINE ADJUSTMENT	0036	a.....	1	44800070	TOOTH RACK
0015	a.....	1	44760085	CABLE ENTRY SLEEVE	0037	a.....	1	30840180	SLIDE
0016	a.....	2	06818820	SCREW	0038	a.....	3	06825270	SCREW
0017	a.....	1	42200525	BOTTOM PART	0039	a.....	1	43460150	GAUGE
0018	a.....	4	06974050	WASHER	0040	a.....	1	44940165	ROD
0019	a.....	4	06753090	SCREW	0041	a.....	1	49960080	WRENCH
0020	a.....	5	06832520	SCREW	0042	a.....	1	49960050	KEY
0021	a.....	2	43330150	COVER	0043	a.....	1	43940060	ACCEPTANCE
0022	a.....	1	23741035	CLAMP	0044	a.....	3	06753005	SCREW
0023	a.....	1	45885247	WASHER	0045	a.....	3	06974050	WASHER

Repairs/modification and testing of electric power tools are to be carried out by specialists. The safety regulations according to DIN/VDE/CEE/AFNOR and other regulations valid in the different countries are to be observed.

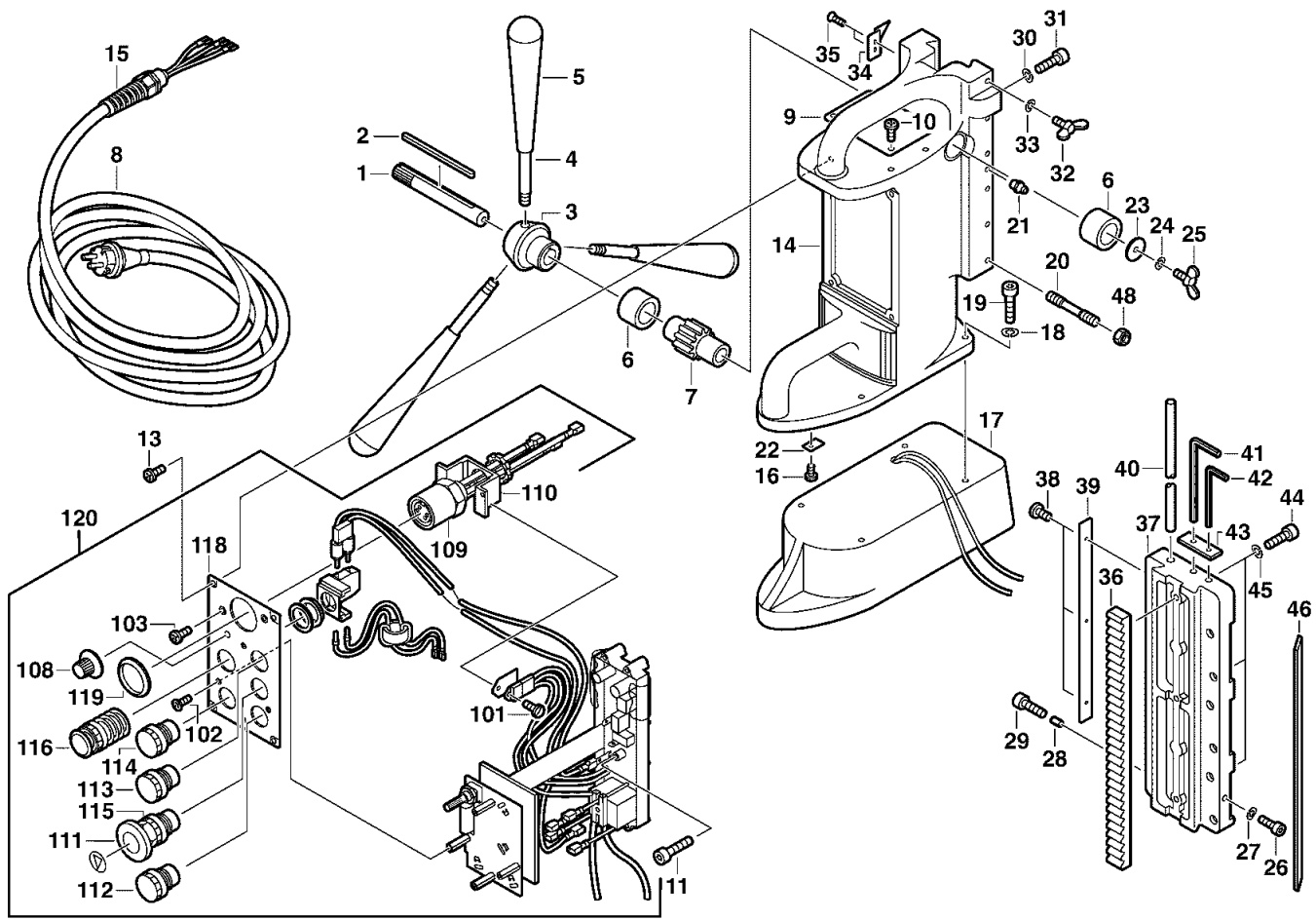
A & M Electric Tools

Drill accessories

Ind	Product No.	Type	Voltage	Country
a	4000384496	MDSRE	220	240V

Ind	Product No.	Type	Voltage	Country

Milwaukee			
MDSRE			
Exp.view No.	Version	Date	Page
4926 3844 97	0001	01.10.02	2/2



Pos	Index	Quanti	Article No.	Designation
0046	a.....	1	43480090	LEDGE
0048	a.....	5	06574050	LOCK NUT
0101	a.....	1	06818650	SCREW
0102	a.....	4	06825268	SCREW
0103	a.....	2	06827252	SCREW
0108	a.....	1	23180080	VARIABLE RING
0109	a.....	1	23330470	CONNECTION CABLE
0110	a.....	1	42361770	RECEPTION PIECE
0111	a.....	1	42420385	DRILL OFF BUTTON
0112	a.....	1	42420400	PUSH-BUTTON
0113	a.....	1	42420405	PUSH-BUTTON
0114	a.....	1	42420440	PUSH-BUTTON
0115	a.....	1	42420450	PUSH-BUTTON
0116	a.....	1	42420455	TURNING KNOB
0118	a.....	1	44660820	PARALLEL GUIDE
0119	a.....	1	45060650	SEAL
0120	a.....	1	23350330	SWITCH BOARD

Pos	Index	Quanti	Article No.	Designation

Repairs/modification and testing of electric power tools are to be carried out by specialists. The safety regulations according to DIN/VDE/CEE/AFNOR and other regulations valid in the different countries are to be observed.