

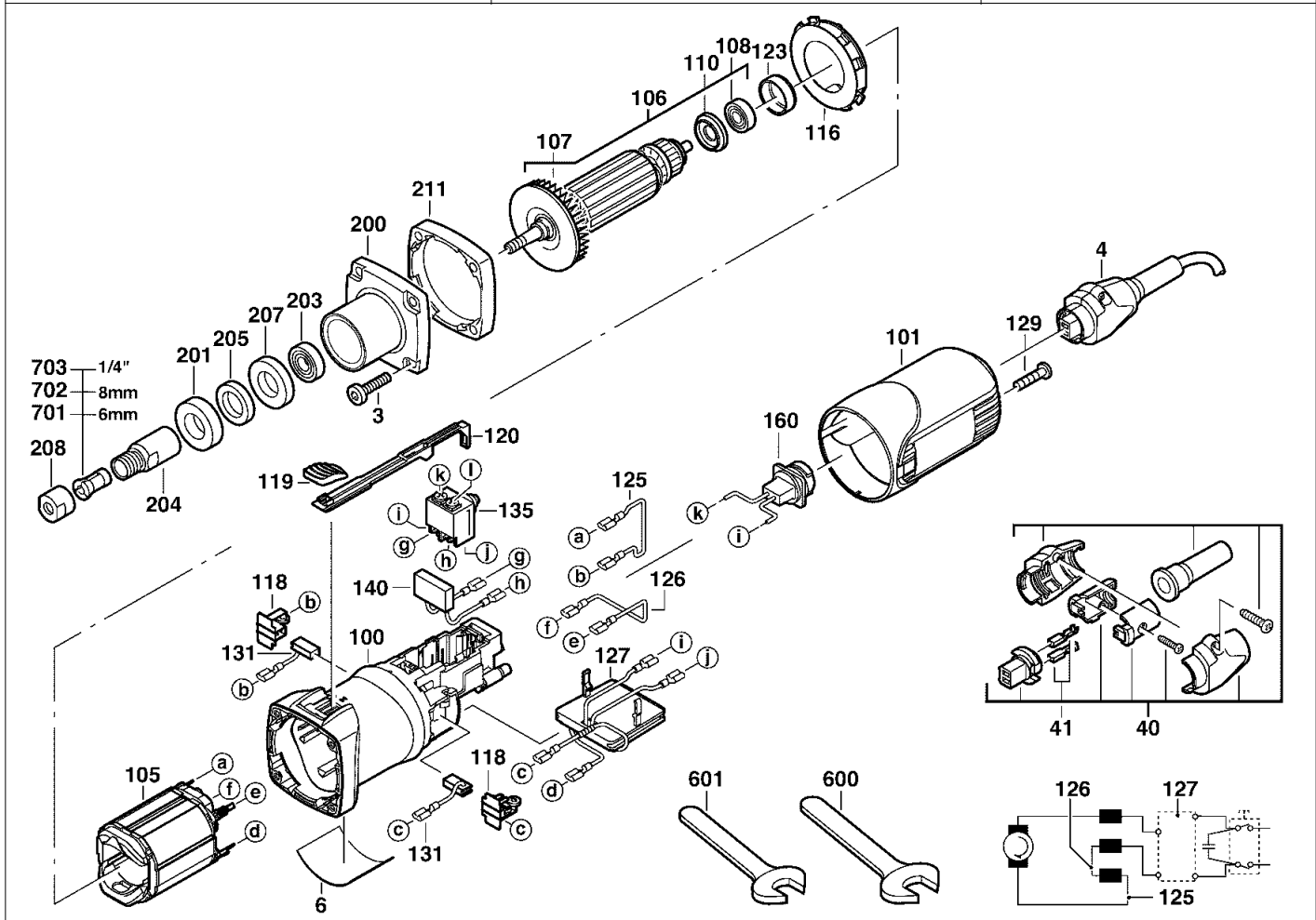
A & M Electric Tools

Various tools

Ind Product No.	Type	Voltage	Country
a 4000403326	DG30QE	220-240V	IN2

Ind Product No.	Type	Voltage	Country

Milwaukee			
DG 30 QE			
Exp.view No.	Version	Date	Page
4926 4033 27	0001	08.06.06	1/1



Pos	Index	Quanti	Article No.	Designation
0003	a.....	4	4931621515	SCREW
0004	a.....	1	4931624171	CONNECTION CABLE
0006	a.....	1	4931403329	RATING PLATE
0040	a.....	1	4931380758	REPAIR KIT
0041	a.....	1	4931380763	CABLE SOCKET P./10
0100	a.....	1	4931403004	MOTOR HOUSING
0101	a.....	1	4931403014	HOUSING CAP
0105	a.....	1	4931385545	ELECTRIC FIELD
0106	a.....	1	4931393154	ARMATURE
0107	a.....	1	4931368347	FAN
0108	a.....	1	4931902888	BALL BEARING
0110	a.....	1	4931385658	INSULATING DISC
0116	a.....	1	4931368549	AIR DEFLECTOR RING
0118	a.....	2	4931368633	BRUSH HOLDER
0119	a.....	1	4931368501	SLIDER
0120	a.....	1	4931368333	GUIDE PIECE
0123	a.....	1	4931393018	RUBBER SLEEVE
0125	a.....	1	4931624081	WIRE
0126	a.....	1	4931253598	WIRE
0127	a.....	1	4931385106	ELECTRIC ELEMENT
0129	a.....	2	4931618253	SCREW
0131	a.....	1	4931392611	CARBON BRUSH SET

Pos	Index	Quanti	Article No.	Designation
0135	a.....	1	4931351849	SWITCH
0140	a.....	1	4931403213	CAPACITOR
0160	a.....	1	4931368393	PLUG
0200	a.....	1	4931385547	FLANGE
0201	a.....	1	4931278527	SEAL RING
0203	a.....	1	4931901253	BALL BEARING
0204	a.....	1	4931351872	SPINDLE SLEEVE
0205	a.....	1	4931278529	FELT WASHER
0207	a.....	1	4931278549	SPACER
0208	a.....	1	4931278544	NUT
0211	a.....	1	4931354044	INTERMEDIATE FLANG
0600	a.....	1	4931822228	KEY
0601	a.....	1	4931606563	KEY
0701	a.....	1	4932313192	COLLET
0702	a.....	1	4932313190	COLLET
0703	a.....	1	4932313194	COLLET

Repairs/modification and testing of electric power tools are to be carried out by specialists. The safety regulations according to DIN/VDE/CEE/AFNOR and other regulations valid in the different countries are to be observed.