

A & M Electric Tools

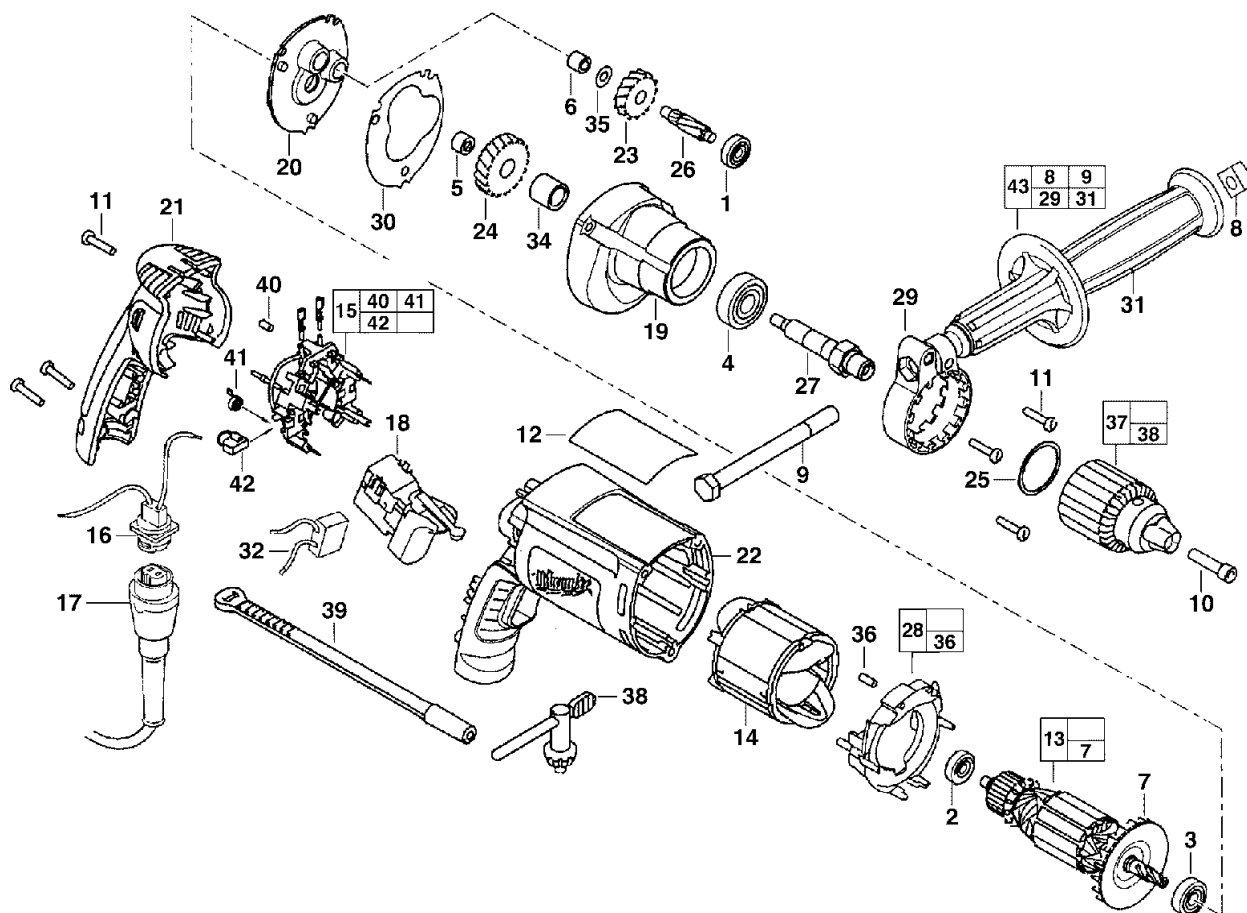
Ind	Product No.	Type	Voltage	Country
a	4000384490	HDE13RQ	220-240V	IN2
b	4000384490	HDE13RQ	220-240V	AUS
c	4000384490	HDE13RQ	220-240V	GB2
d	4000384490	HDE13RQ	220-240V	CH2

Drills

Milwaukee

HDE 13 RQ

Exp.view No. Version Date Page
4926 3844 91 0002 20.01.05 1/2



Pos	Index	Quanti	Article No.	Designation	Pos	Index	Quanti	Article No.	Designation
0001	abcd.....	1	02040640	BALL BEARING	0020	abcd.....	1	28282320	BEARING END PLATE
0002	abcd.....	1	02040645	BALL BEARING	0021	abcd.....	1	31152030	HANDLE
0003	abcd.....	1	02040852	BALL BEARING	0022	abcd.....	1	31502030	CASING
0004	abcd.....	1	02041229	BALL BEARING	0023	abcd.....	1	32400100	GEAR
0005	abcd.....	1	02501611	NEEDLE BEARING	0024	abcd.....	1	32750100	SPINDLE GEAR
0006	abcd.....	1	02502400	NEEDLE BEARING	0025	abcd.....	1	34802300	RING
0007	abcd.....	1	22840845	FAN	0026	abcd.....	1	36660100	REDUCT. GEAR SHAFT
0008	abcd.....	1	06540325	SQUARE NUT	0027	abcd.....	1	38505735	SPINDLE
0009	abcd.....	1	06752850	SCREW	0028	abcd.....	1	42140450	SET
0010	abcd.....	1	06753150	SCREW	0029	abcd.....	1	42680800	HANDLE
0011	abcd.....	6	06827275	SCREW	0030	abcd.....	1	43440985	GASKET
0012	abcd.....	1	12992679	NAME PLATE	0031	abcd.....	1	43620845	HANDLE
0013	abcd.....	1	16142210	ARMATURE	0032	abcd.....	1	22330550	CAPACITOR
0014	abcd.....	1	18042206	ELECTRIC FIELD	0034	abcd.....	1	45361095	DISTANCE SLEEVE
0015	abcd.....	1	22181220	BRUSH HOLDER COMP	0035	abcd.....	1	45887990	WASHER
0016	abcd.....	1	22561015	HOUSING	0036	abcd.....	2	45300030	BALL
0017	a.....	1	4931624171	CONNECTION CABLE	0037	abcd.....	1	48661355	CHUCK
0017	b.....	1	4931624342	CONNECTION CABLE	0038	abcd.....	1	48663280	CHUCK KEY
0017	..c.....	1	4931624184	CONNECTION CABLE	0039	abcd.....	1	48664040	CHUCK KEY
0017	...d.....	1	4931624181	CONNECTION CABLE	0040	abcd.....	1	45300035	BALL
0018	abcd.....	1	23662135	SWITCH	0041	abcd.....	2	23521610	SPRING
0019	abcd.....	1	28142390	GEAR CASE	0042	abcd.....	2	22181320	CARBON BRUSH

Repairs/modification and testing of electric power tools are to be carried out by specialists. The safety regulations according to DIN/VDE/CEE/AFNOR and other regulations valid in the different countries are to be observed.

A & M Electric Tools

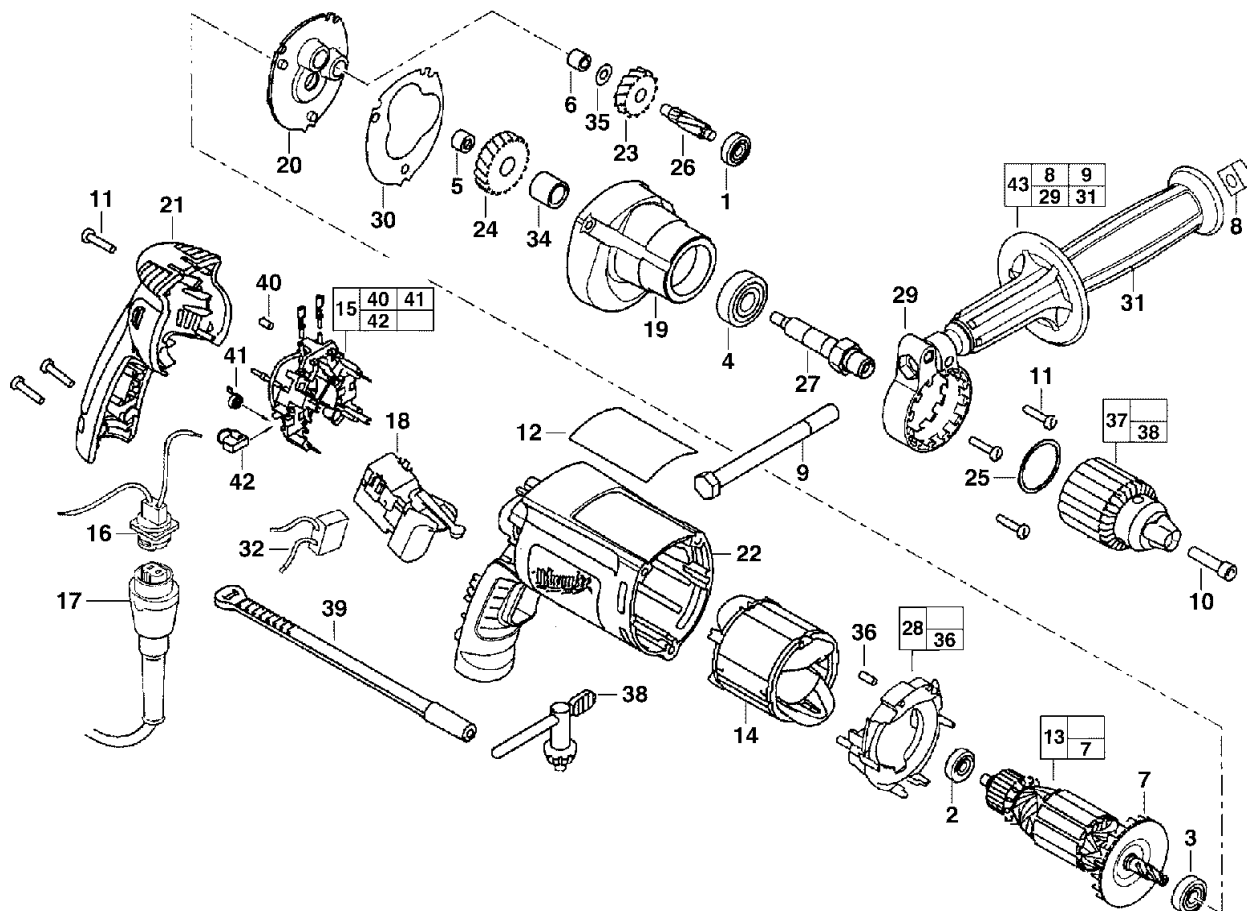
Ind	Product No.	Type	Voltage	Country
a	4000384490	HDE13RQ	220-240V	IN2
b	4000384490	HDE13RQ	220-240V	AUS
c	4000384490	HDE13RQ	220-240V	GB2
d	4000384490	HDE13RQ	220-240V	CH2

Drills

Milwaukee

HDE 13 RQ

Exp.view No. Version Date Page
4926 3844 91 0002 20.01.05 2/2



Pos	Index	Quanti	Article No.	Designation
0043	abcd.....	1	49150265	HANDLE

Pos	Index	Quanti	Article No.	Designation
-----	-------	--------	-------------	-------------