

A & M Electric Tools

Drills

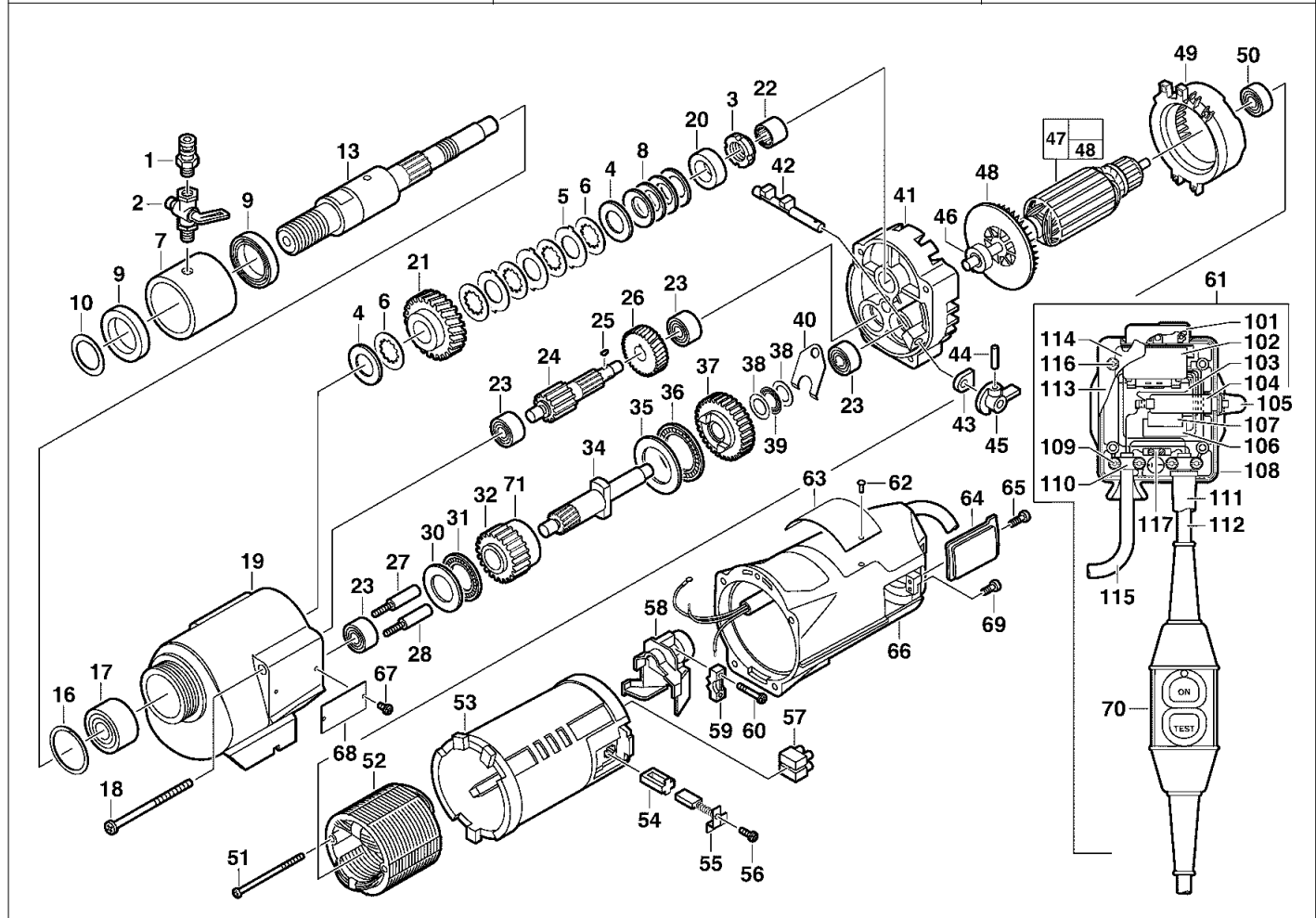
Milwaukee

DCM2-350C

Exp.view No. Version Date Page
4926 3845 43 0002 21.11.02 1/2

Ind Product No.	Type	Voltage	Country
a 4000384542	DCM2-350C	220-240V	IN2

Ind Product No.	Type	Voltage	Country



Pos	Index	Quanti	Article No.	Designation
0001	a.....	1	42900210	FITTING
0002	a.....	1	45800060	VALVE
0003	a.....	1	06571050	NUT
0004	a.....	2	45881140	WASHER
0005	a.....	3	43060160	DISC
0006	a.....	5	43060150	DISC
0007	a.....	1	43760051	HOUSING
0008	a.....	4	40502150	PRESSURE SPRING
0009	a.....	2	45060635	SEAL RING
0010	a.....	1	45888565	WASHER
0013	a.....	1	38506020	SPINDLE
0016	a.....	1	34803800	RING
0017	a.....	1	02202515	BALL BEARING
0018	a.....	4	06829202	SCREW
0019	a.....	1	28141870	BODY
0020	a.....	1	45361520	SPACER
0021	a.....	1	32753430	SPINDLE GEAR
0022	a.....	1	02504830	NEEDLE BEARING
0023	a.....	4	02041205	BALL BEARING
0024	a.....	1	36663751	SHAFT
0025	a.....	1	06421600	KEY
0026	a.....	1	32401581	GEAR

Pos	Index	Quanti	Article No.	Designation
0027	a.....	2	40506300	PRESSURE SPRING
0028	a.....	2	44700100	PLUNGER
0030	a.....	1	45880520	WASHER
0031	a.....	1	02801800	THRUST BEARING
0032	a.....	1	32100060	GEAR
0034	a.....	1	36140720	SHAFT
0035	a.....	1	45880530	WASHER
0036	a.....	1	02805000	THRUST BEARING
0037	a.....	1	32100051	GEAR BOX
0038	a.....	2	45880510	WASHER
0039	a.....	1	02801200	THRUST BEARING
0040	a.....	1	45980090	YOKE
0041	a.....	1	14130210	BEARING END PLATE
0042	a.....	1	30150272	SLIDING SWITCH
0043	a.....	2	43440580	GASKET
0044	a.....	1	06650840	PIN
0045	a.....	1	25600056	TRIGGER
0046	a.....	1	02041229	BALL BEARING
0047	a.....	1	16760325	ARMATURE
0048	a.....	1	22840790	FAN
0049	a.....	1	42140291	AIR DEFLECTOR RING
0050	a.....	1	02041041	BALL BEARING

Repairs/modification and testing of electric power tools are to be carried out by specialists. The safety regulations according to DIN/VDE/CEE/AFNOR and other regulations valid in the different countries are to be observed.

A & M Electric Tools

Drills

Milwaukee

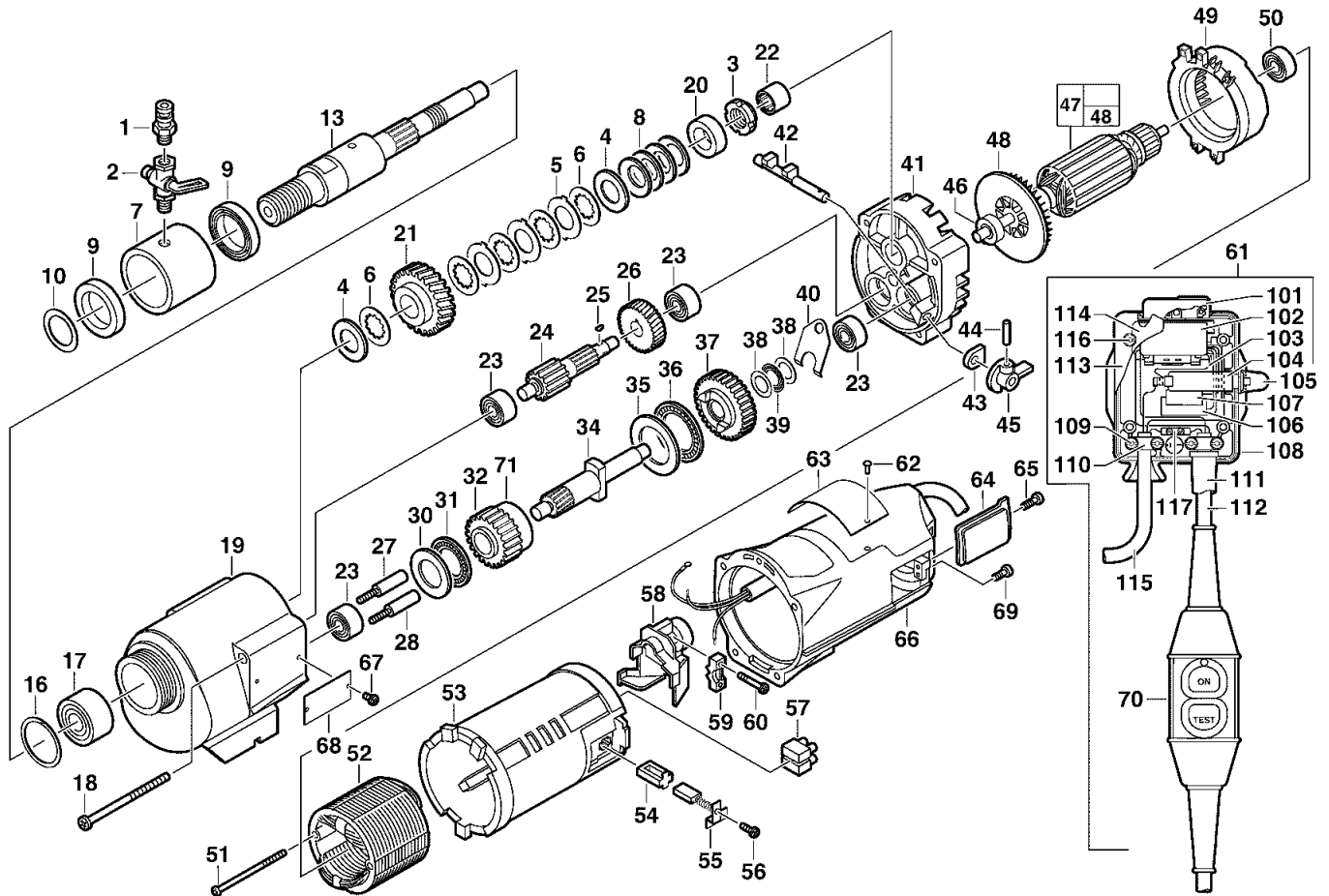
DCM2-350C

Exp.view No. Version Date Page

4926 3845 43 0002 21.11.02 2/2

Ind Product No.	Type	Voltage	Country
a 4000384542	DCM2-350C	220-240V	IN2

Ind Product No.	Type	Voltage	Country



Pos	Index	Quanti	Article No.	Designation
0051	a.....	2	06829152	SCREW
0052	a.....	1	18740120	ELECTRIC FIELD
0053	a.....	1	23161410	INSULATING BUSH
0054	a.....	2	22200680	BRUSH HOLDER
0055	a.....	2	22180706	CARBON BRUSH
0056	a.....	2	06828835	SCREW
0057	a.....	1	22560470	TERMINAL
0058	a.....	1	22380140	WIRE
0059	a.....	1	31170200	CLAMPING PIECE
0060	a.....	2	06827326	SCREW
0061	a.....	1	23370160	CONTROL DEVICE
0062	a.....	2	06721720	RIVET
0063	a.....	1	12991815	NAME PLATE
0064	a.....	2	22320350	BRUSH COVER
0065	a.....	2	06825316	SCREW
0066	a.....	1	28506363	HOUSING
0067	a.....	2	06825266	SCREW
0068	a.....	1	12983020	INSTRUCTION PLATE
0069	a.....	1	06955200	SCREW
0070	a.....	1	22360090	CABLE HARNESS
0071	a.....	1	45360225	SPACER
0101	a.....	1	22680200	SWITCH CUP

Pos	Index	Quanti	Article No.	Designation
0102	a.....	1	23661430	SWITCH
0103	a.....	1	23949915	CABLE SET
0104	a.....	1	22360150	CABLE HARNESS
0105	a.....	1	22680210	SWITCH CUP
0106	a.....	1	22330430	CABLE HARNESS
0107	a.....	1	22740051	ELECTRONIC ELEMENT
0108	a.....	1	22120200	SWITCH CUP
0109	a.....	4	06827299	SCREW
0110	a.....	2	31170155	CLAMPING PIECE
0111	a.....	1	44760140	CABLE CLAMP
0112	a.....	1	22644075	CABLE
0113	a.....	1	22680190	COVER
0114	a.....	1	12983070	LABEL
0115	a.....	1	22645050	CONNECTION CABLE
0116	a.....	4	06827326	SCREW
0117	a.....	1	22560480	CLAMP

Repairs/modification and testing of electric power tools are to be carried out by specialists. The safety regulations according to DIN/VDE/CEE/AFNOR and other regulations valid in the different countries are to be observed.