

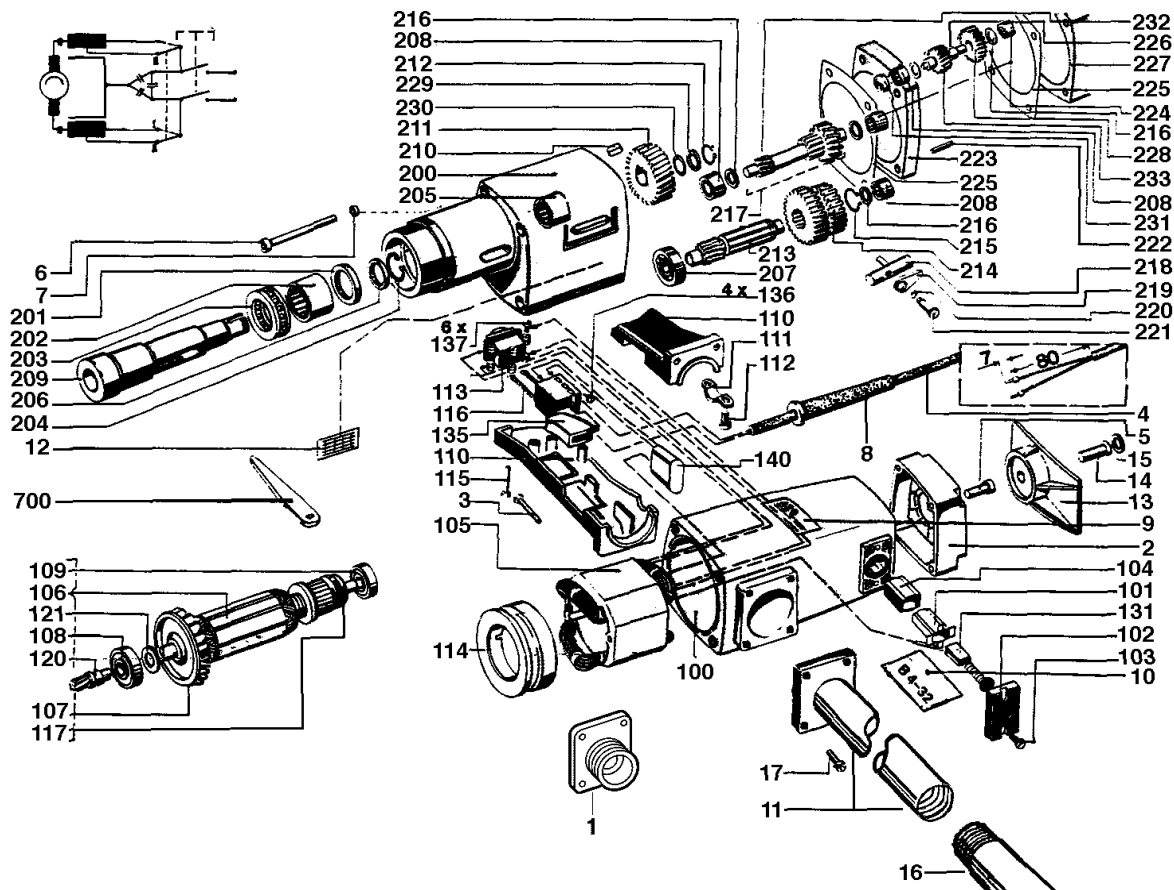
# A & M Electric Tools

Ind	Product No.	Type	Voltage	Country
a	4000380520	B4-32	220V	IN2
b	4000380718	B4-32	110V	GB1
c	4000380724	B4-32	240V	GB2
d	4000380729	B4-32	110V	GB1

# Drills

**Milwaukee**  
**B4-32**

Exp.view No.      Version    Date      Page  
**4926 3805 22    0007 29.07.04    1/2**



Pos	Index	Quanti	Article No.	Designation	Pos	Index	Quanti	Article No.	Designation
0001	abcd.....	1	4931222968	FLANGE	0101	abcd.....	2	4931222529	BRUSH HOLDER
0002	abcd.....	1	4931380536	HOUSING CAP	0102	abcd.....	2	4931222532	BRUSH HOLDER CAP
0003	ab.....	4	4931606916	SCREW	0103	abcd.....	4	4931618241	SCREW
0004	a.....	1	4931623148	CONNECTION CABLE	0104	abcd.....	2	4931232582	BRUSH HOLDER INSUL
0004	.b.....	1	4931623823	CONNECTION CABLE	0105	a.....	1	4931229197	ELECTRIC FIELD
0005	abcd.....	4	4931616793	SCREW	0105	.b.....	1	4931263071	ELECTRIC FIELD
0006	abcd.....	4	4931616680	SCREW	0105	.c.....	1	4931364431	ELECTRIC FIELD
0007	abcd.....	4	4931603768	RING	0105	.d.....	1	4931364427	ELECTRIC FIELD
0008	ab.....	1	4931217556	CABLE ENTRY SLEEVE	0106	a.c.....	1	4931263053	ARMATURE
0009	a.....	1	4931380537	RATING PLATE	0106	.b.d.....	1	4931263055	ARMATURE
0009	.b.d.....	1	4931380721	RATING PLATE	0107	abcd.....	1	4931243281	FAN BLADE
0009	.c.....	1	4931380727	RATING PLATE	0108	abcd.....	1	4931398189	GROOVED BALL BEAR.
0010	abcd.....	1	4931382311	NAME PLATE	0109	abcd.....	1	4931624101	BALL BEARING
0011	ab.....	1	4931380994	FLANGE	0110	ab.....	1	4931222300	HANDLE
0012	a.....	1	4931227871	LABEL	0111	ab.....	1	4931256500	CABLE COLLAR
0012	.bcd.....	1	4931228524	SPEED INDIC.PLATE	0112	ab.....	2	4931624538	SCREW
0013	ab.....	1	4931380524	BREAST PLATE	0113	ab.....	1	4931328579	SWITCH
0014	ab.....	1	4931222621	SCREW	0114	abcd.....	1	4931218031	AIR DEFLECTOR RING
0015	ab.....	1	4931928997	O-RING	0115	ab.....	2	4931618253	SCREW
0016	ab.....	1	4931380949	HANDLE	0116	ab.....	2	4931222574	CONNECTION CABLE
0017	ab.....	4	4931606881	SCREW	0117	abcd.....	1	4931226193	INSULATING DISC
0100	abcd.....	1	4931390085	MOTOR HOUSING	0120	abcd.....	1	4931263058	PINION

Repairs/modification and testing of electric power tools are to be carried out by specialists. The safety regulations according to DIN/VDE/CEE/AFNOR and other regulations valid in the different countries are to be observed.

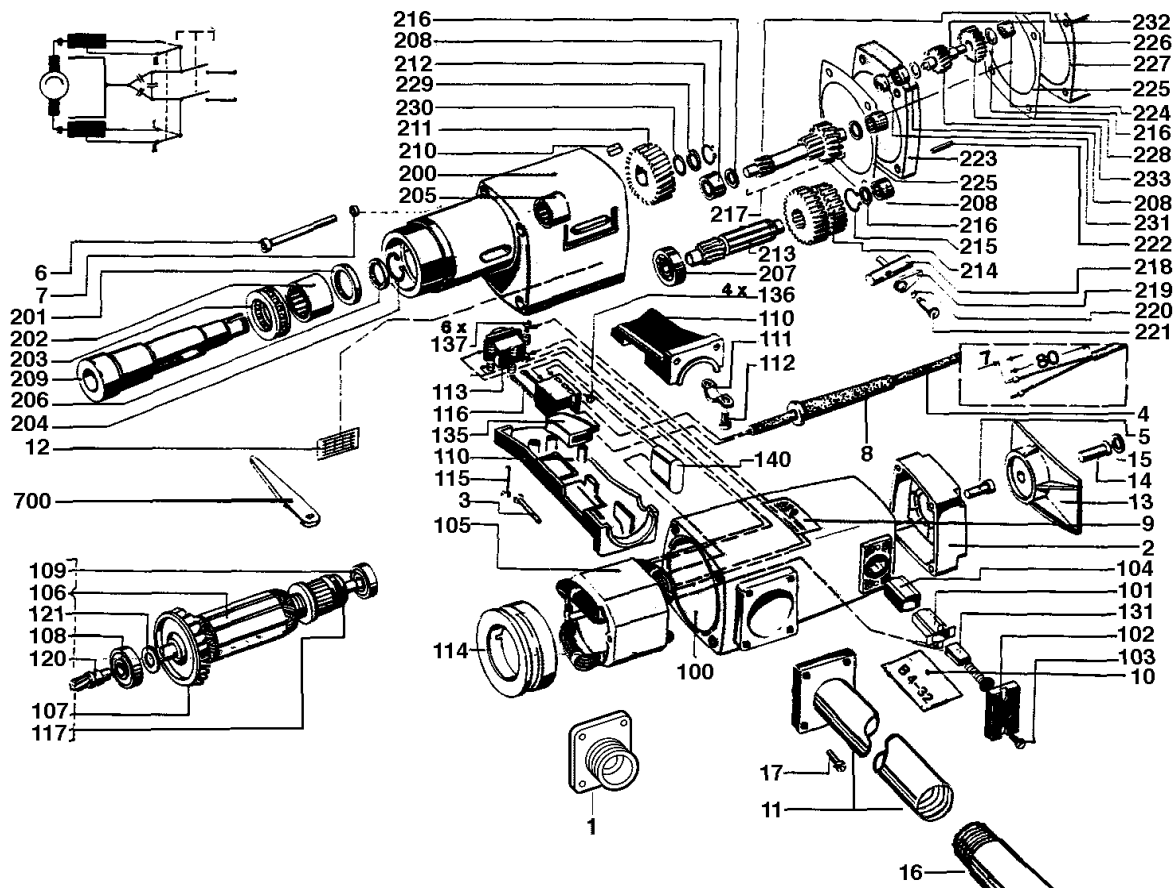
# A & M Electric Tools

Ind	Product No.	Type	Voltage	Country
a	4000380520	B4-32	220V	IN2
b	4000380718	B4-32	110V	GB1
c	4000380724	B4-32	240V	GB2
d	4000380729	B4-32	110V	GB1

# Drills

Milwaukee  
**B4-32**

Exp.view No.      Version    Date      Page  
**4926 3805 22    0007 29.07.04    2/2**



Pos	Index	Quanti	Article No.	Designation	Pos	Index	Quanti	Article No.	Designation
0121	abcd	1	4931620042	DISC	0216	abcd	5	4931939634	DISC
0131	abcd	1	4931392571	CARBON BRUSH SET	0217	abcd	1	4931221723	REDUCTION GEAR
0135	ab	1	4931338807	SWITCH	0218	abcd	1	4931223605	SWITCH ROD
0136	ab	4	4931621425	SCREW	0219	abcd	1	4931328580	SWITCH LEVER
0137	ab	6	4931619166	SCREW	0220	abcd	1	4931928821	DISC
0140	ab	1	4931222575	CAPACITOR	0221	abcd	1	4931616742	SCREW
0200	abcd	1	4931380532	GEAR BOX	0222	abcd	1	4931600328	PIN
0201	abcd	1	4931928554	SEAL RING	0223	abcd	1	4931380534	INTERMED.BEARING
0202	abcd	1	4931928527	NEEDLE BEARING	0224	abcd	2	4931928717	NEEDLE BEARING
0203	abcd	1	4931928515	BALL BEARING	0225	abcd	2	4931221850	GASKET
0204	abcd	1	4931942134	SPRING RING	0226	abcd	1	4931222048	REDUCTION GEAR
0205	abcd	1	4931928530	NEEDLE BEARING	0227	abcd	1	4931380535	BEARING END PLATE
0206	abcd	1	4931928566	SEAL RING	0228	abcd	1	4931221717	REDUCTION GEAR
0207	abcd	1	4931928593	BALL BEARING	0229	abcd	1	4931937440	DISC
0208	abcd	3	4931805728	NEEDLE BEARING	0230	abcd	1	4931808624	DISC
0209	abcd	1	4931221711	DRILL SPINDLE	0231	abcd	1	4931805110	BALL BEARING
0210	abcd	1	4931224742	PARALLEL KEY	0232	abcd	1	4931221713	REDUCT. GEAR SHAFT
0211	abcd	1	4931221712	DRILL SPINDLE WHEEL	0233	abcd	1	4931222047	REDUCT. GEAR SHAFT
0212	abcd	1	4931605267	RING	0700	abcd	1	4932604226	DRIFT KEY
0213	abcd	1	4931221714	REDUCT. GEAR SHAFT					
0214	abcd	1	4931221722	INTERMEDIATE WHEEL					
0215	abcd	1	4931617301	LOCKING RING					

Repairs/modification and testing of electric power tools are to be carried out by specialists. The safety regulations according to DIN/VDE/CEE/AFNOR and other regulations valid in the different countries are to be observed.