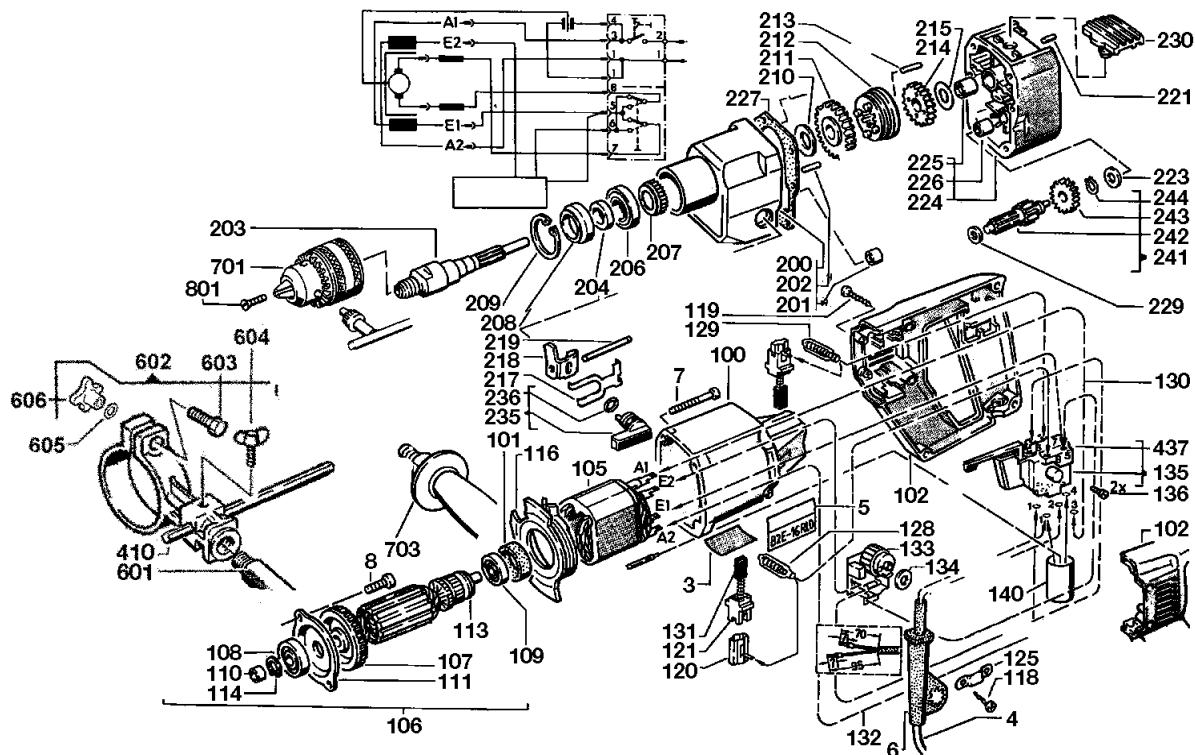


A & M Electric Tools

Ind Product No.	Type	Voltage	Country
a 4000380483	B2E16RLD	220V	IN2

Drills

Ind Product No.	Type	Voltage	Country
Milwaukee			
B2E 16 RLD			
Exp.view No.	Version	Date	Page
4926 3804 86	0003	29.04.04	1/2



Pos	Index	Quanti	Article No.	Designation	Pos	Index	Quanti	Article No.	Designation
0003	a.....	1	4931380499	RATING PLATE	0121	a.....	2	4931317543	BRUSH HOLDER INSUL
0004	a.....	1	4931622543	CONNECTION CABLE	0125	a.....	1	4931256500	CABLE COLLAR
0005	a.....	2	4931380498	NAME PLATE	0128	a.....	1	4931622654	CHOKING COIL
0006	a.....	1	4931359575	CABLE ENTRY SLEEVE	0129	a.....	1	4931622655	CHOKING COIL
0007	a.....	4	4931606830	SCREW	0130	a.....	1	4931622244	WIRE
0008	a.....	2	4931612817	SCREW	0131	a.....	1	4931392577	CARBON BRUSH SET
0100	a.....	1	4931359587	HOUSING	0132	a.....	1	4931622245	WIRE
0101	a.....	1	4931301483	RUBBER SLEEVE	0133	a.....	1	4931337466	PRINTED CIRCUIT
0102	a.....	1	4931380490	HANDLE	0134	a.....	1	4931271764	RING
0105	a.....	1	4931320028	ELECTRIC FIELD	0135	a.....	1	4931380488	SWITCH
0106	a.....	1	4931320027	ARMATURE	0136	a.....	2	4931621772	SCREW
0107	a.....	1	4931271335	FAN	0140	a.....	1	4931622487	CAPACITOR
0108	a.....	1	4931368037	GROOVED BALL BEAR.	0200	a.....	1	4931380495	GEAR BOX
0109	a.....	1	4931901253	BALL BEARING	0201	a.....	1	4931219424	NEEDLE BEARING
0110	a.....	1	4931267417	BUSHING	0202	a.....	2	4931615663	PIN
0111	a.....	1	4931267463	BEARING COVER	0203	a.....	1	4931320032	DRILL SPINDLE
0113	a.....	1	4931271823	INSULATING DISC	0204	a.....	1	4931267415	SLEEVE
0114	a.....	1	4931605115	RING	0206	a.....	1	4931891058	BALL BEARING
0116	a.....	1	4931271360	AIR DEFLECTOR RING	0207	a.....	1	4931267571	PERCUSSION SLEEVE
0118	a.....	2	4931624538	SCREW	0208	a.....	1	4931267522	SEAL RING
0119	a.....	7	4931618253	SCREW	0209	a.....	1	4931890311	LOCKING RING
0120	a.....	2	4931317547	BRUSH HOLDER	0210	a.....	1	4931943605	DISC

Repairs/modification and testing of electric power tools are to be carried out by specialists. The safety regulations according to DIN/VDE/CEE/AFNOR and other regulations valid in the different countries are to be observed.

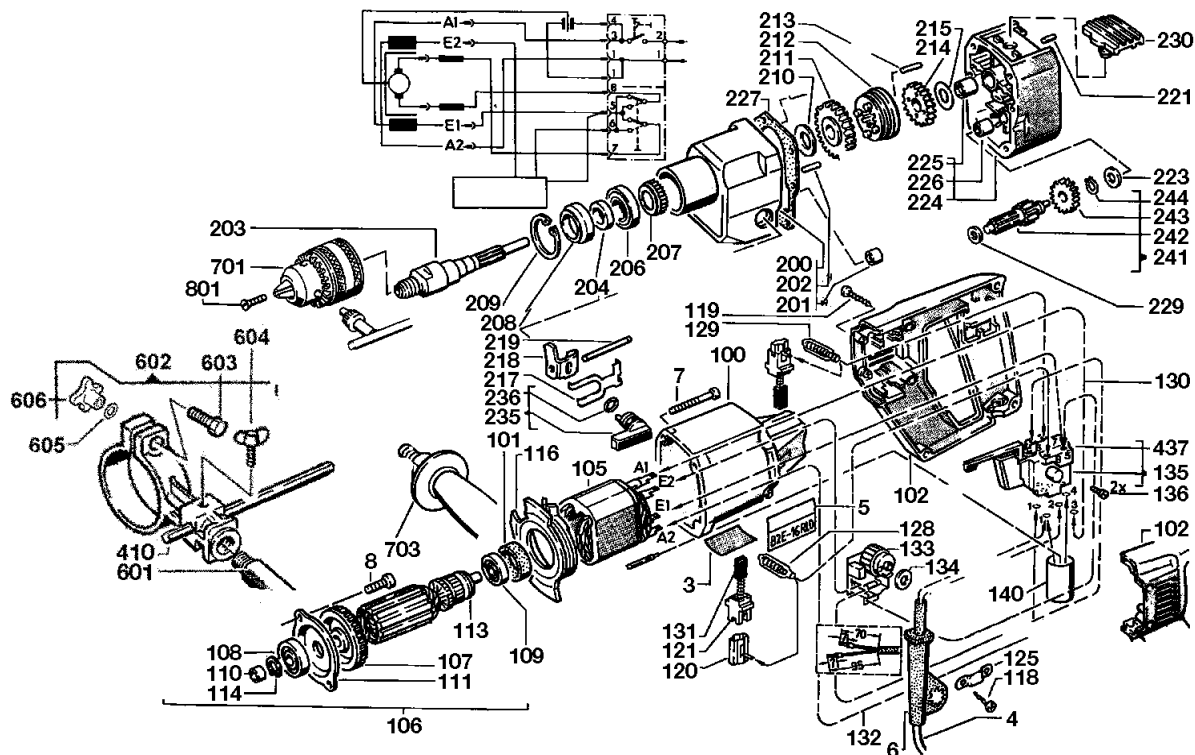
A & M Electric Tools

Drills

Ind	Product No.	Type	Voltage	Country
a	4000380483	B2E16RLD	220V	IN2

Ind	Product No.	Type	Voltage	Country

Milwaukee				
B2E 16 RLD				
Exp.view No.	Version	Date	Page	
4926 3804 86	0003	29.04.04	2/2	



Pos	Index	Quanti	Article No.	Designation	Pos	Index	Quanti	Article No.	Designation
0211	a.....	1	4931307985	DRILL SPINDLE WHEEL	0410	a.....	1	4931245452	DEPTH GAUGE
0212	a.....	1	4931307130	JUMPER RING	0437	a.....	1	4931353794	SWITCH LEVER
0213	a.....	2	4931621732	PIN	0601	a.....	1	4931220759	EXTENSION
0214	a.....	1	4931307988	DRILL SPINDLE WHEEL	0602	a.....	1	4931380502	CLAMPING RING
0215	a.....	1	4931901226	DISC	0603	a.....	1	4931618482	SCREW
0217	a.....	1	4931307118	RETAINING SPRING	0604	a.....	1	4931615927	SCREW
0218	a.....	1	4931309010	SWITCH LEVER	0605	a.....	1	4931615511	SEALING WASHER
0219	a.....	1	4931621731	PIN	0606	a.....	1	4931622441	STAR HANDLE
0221	a.....	1	4931621650	PIN	0701	a.....	1	4932320014	THREE JAW CHUCK
0223	a.....	1	4931621995	DISC	0703	a.....	1	4932209035	HANDLE
0224	a.....	1	4931380493	BEARING END PLATE	0801	a.....	1	4931401643	LOCKING SCREW
0225	a.....	1	4931912093	SLEEVE					
0226	a.....	1	4931219422	NEEDLE BEARING					
0227	a.....	1	4931307995	GASKET					
0229	a.....	1	4931919962	DISC					
0230	a.....	1	4931309131	COVER					
0235	a.....	1	4931310479	SWITCH LEVER					
0236	a.....	1	4931621782	O-RING					
0241	a.....	1	4931307989	REDUCTION GEAR					
0242	a.....	1	4931307990	REDUCT. GEAR SHAFT					
0243	a.....	1	4931307993	REDUCTION GEAR					
0244	a.....	1	4931605142	RING					

Repairs/modification and testing of electric power tools are to be carried out by specialists. The safety regulations according to DIN/VDE/CEE/AFNOR and other regulations valid in the different countries are to be observed.