

A & M Electric Tools

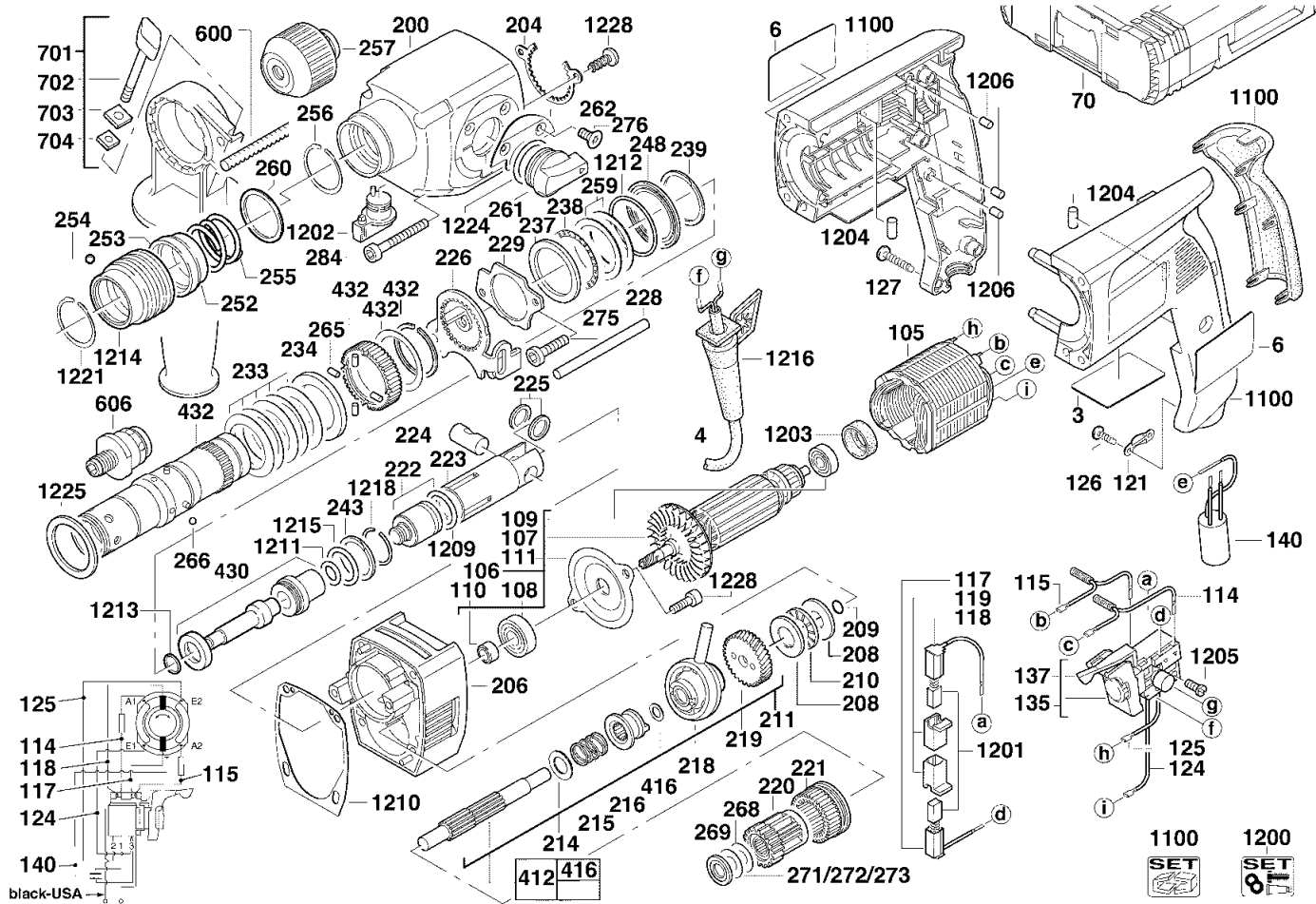
Ind	Product No.	Type	Voltage	Country
a	4000382369	PPH24X2E	220-240V	IN2
b	4000384073	PPH24X2E	110-120V	GB1
c	4000384471	PPH24X2E	240V	GB2
d	4000382369	PPH24X2E	220-240V	AUS

Rotary Hammers

Milwaukee

PPH 24 X2E

Exp.view No. Version Date Page
4926 3823 72 0007 25.08.04 1/3



Pos	Index	Quanti	Article No.	Designation	Pos	Index	Quanti	Article No.	Designation
0003	a..d.....	1	4931382376	RATING PLATE	0117	a.cd.....	1	4931271665	BRUSH HOLDER
0003	.b.....	1	4931384076	RATING PLATE	0117	.b.....	1	4931623373	BRUSH HOLDER
0003	..c.....	1	4931384473	RATING PLATE	0118	a.cd.....	1	4931622292	BRUSH HOLDER
0004	a.....	1	4931302112	CONNECTION CABLE	0118	.b.....	1	4931623374	BRUSH HOLDER
0004	.b.....	1	4931624009	CONNECTION CABLE	0119	abcd.....	2	4931315039	BRUSH HOLDER
0004	..c.....	1	4931328463	CONNECTION CABLE	0121	abcd.....	1	4931256500	CABLE COLLAR
0004	...d.....	1	4931624340	CONNECTION CABLE	0124	a.cd.....	1	4931253699	CABLE
0006	abcd.....	1	4931378806	TYPE PLATE	0124	.b.....	1	4931623371	WIRE
0070	abcd.....	1	4932378986	CARRYING CASE	0125	a.cd.....	1	4931622262	WIRE
0105	a.cd.....	1	4931301856	ELECTRIC FIELD	0125	.b.....	1	4931623372	WIRE
0105	.b.....	1	4931372961	ELECTRIC FIELD	0126	abcd.....	2	4931624538	SCREW
0106	a.cd.....	1	4931343020	ARMATURE	0127	abcd.....	6	4931618253	SCREW
0106	.b.....	1	4931343204	ARMATURE	0135	a.c.....	1	4931382377	SWITCH BOARD
0107	abcd.....	1	4931342643	FAN	0135	.b.....	1	4931372753	SWITCH BOARD
0108	abcd.....	1	4931623188	BALL BEARING	0135	..d.....	1	4931382378	SWITCH BOARD
0109	abcd.....	1	4931901253	BALL BEARING	0137	abcd.....	1	4931344836	SWITCH LEVER
0110	abcd.....	1	4931382148	SEALING SLEEVE	0140	abcd.....	1	4931622384	CAPACITOR
0111	abcd.....	1	4931267585	BEARING COVER	0200	abcd.....	1	4931382379	GEAR BOX
0114	a.cd.....	1	4931623023	CHOKING COIL	0204	abcd.....	1	4931331685	WASHER
0114	.b.....	1	4931623375	CHOKING COIL	0206	abcd.....	1	4931382381	BEARING END PLATE
0115	a.cd.....	1	4931622291	CHOKING COIL	0208	abcd.....	2	4931622575	AXIAL BEAR.WASHER
0115	.b.....	1	4931623376	CHOKING COIL	0209	abcd.....	1	4931941082	O-RING

Repairs/modification and testing of electric power tools are to be carried out by specialists. The safety regulations according to DIN/VDE/CEE/AFNOR and other regulations valid in the different countries are to be observed.

A & M Electric Tools

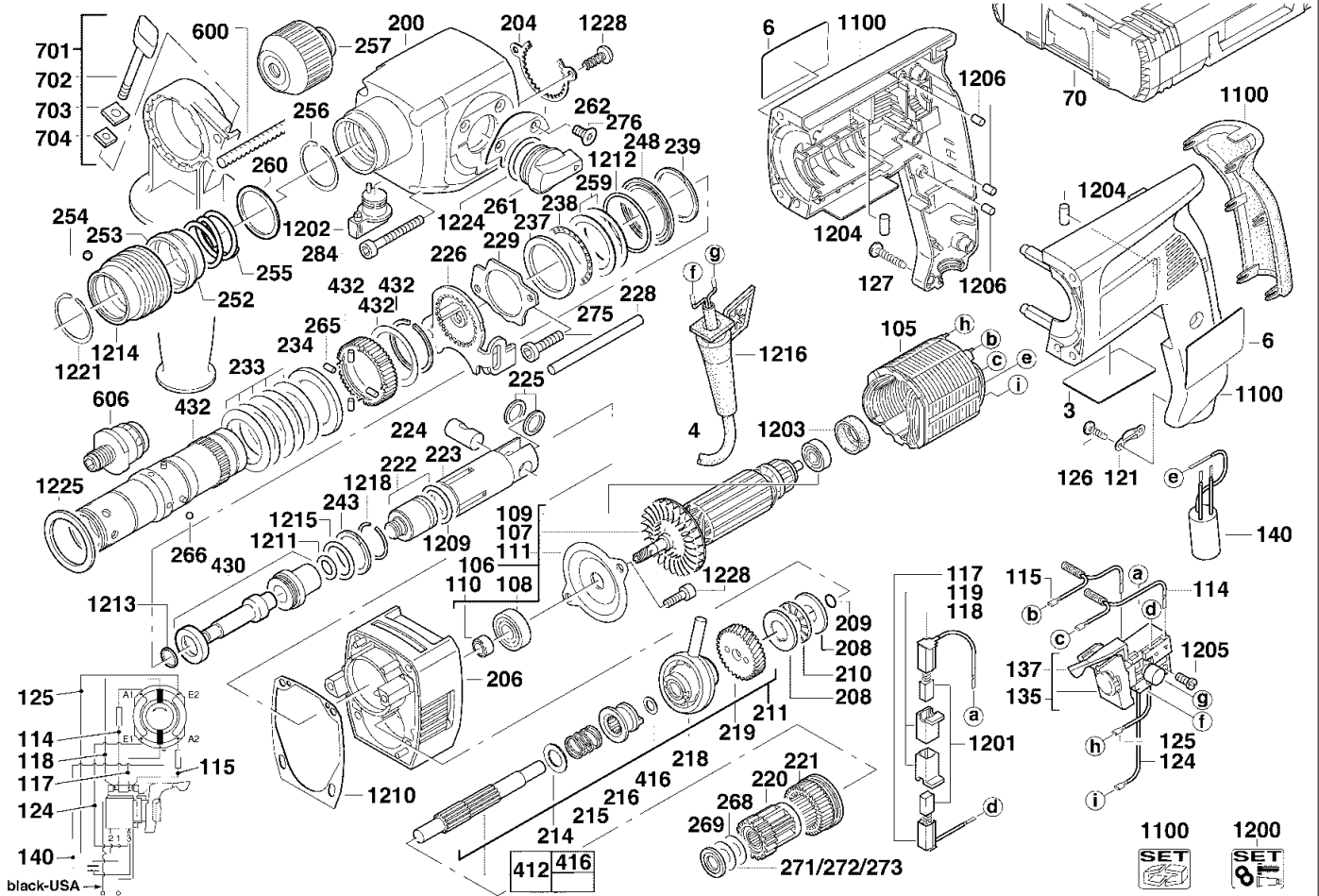
Ind	Product No.	Type	Voltage	Country
a	4000382369	PPH24X2E	220-240V	IN2
b	4000384073	PPH24X2E	110-120V	GB1
c	4000384471	PPH24X2E	240V	GB2
d	4000382369	PPH24X2E	220-240V	AUS

Rotary Hammers

Milwaukee

PPH 24 X2E

Exp.view No. Version Date Page
4926 3823 72 0007 25.08.04 2/3



Pos	Index	Quanti	Article No.	Designation	Pos	Index	Quanti	Article No.	Designation
0210	abcd.....	1	4931622567	AXIAL NEEDLE RING	0248	abcd.....	1	4931343049	WASHER
0211	abcd.....	1	4931379896	REDUCT. GEAR SHAFT	0252	abcd.....	1	4931382921	SLEEVE
0214	abcd.....	1	4931621983	DISC	0253	abcd.....	1	4931379875	SLEEVE
0215	abcd.....	1	4931379589	PRESSURE SPRING	0254	abcd.....	6	4931805437	BALL
0216	abcd.....	1	4931379653	COUPLING SLEEVE	0255	abcd.....	1	4931331754	PRESSURE SPRING
0218	abcd.....	1	4931379116	WOBBLE DRIVE	0256	abcd.....	1	4931945764	SPRING RING
0219	abcd.....	1	4931387316	REDUCT GEAR WHEEL	0257	abcd.....	1	4931379739	ADAPTER
0220	abcd.....	1	4931384918	PLANET GEAR	0259	abcd.....	2	4931623200	WASHER
0221	abcd.....	1	4931331684	INTERN.GEARED WHE	0260	abcd.....	1	4931623234	WASHER
0222	abcd.....	1	4931382168	PERCUSSION BODY	0261	abcd.....	1	4931392507	SWITCH HANDLE
0223	abcd.....	1	4931379587	CYLINDER	0262	abcd.....	1	4931379108	LATCH PLATE
0224	abcd.....	1	4931331623	CYLINDRICAL BOLT	0265	abcd.....	4	4931624045	CYLINDER PULLEY
0225	abcd.....	2	4931400589	WASHER	0266	abcd.....	4	4931805390	BALL
0226	abcd.....	1	4931331724	SLIDER	0268	abcd.....	1	4931624096	DISC
0228	abcd.....	1	4931623081	PIN	0269	abcd.....	1	4931379420	SPACER
0229	abcd.....	1	4931331787	LATCH PLATE	0271	abcd.....	1	4931624098	DISC
0233	abcd.....	5	4931379071	CUP SPRING	0272	abcd.....	1	4931624097	DISC
0234	abcd.....	1	4931379110	CLUTCH DISC	0273	abcd.....	1	4931624096	DISC
0237	abcd.....	1	4931623199	WASHER	0275	abcd.....	2	4931623260	SCREW
0238	abcd.....	1	4931331713	THRUST BEARING	0276	abcd.....	2	4931379109	SCREW
0239	abcd.....	1	4931343187	LOCKING WASHER	0284	abcd.....	4	4931331734	SCREW
0243	abcd.....	1	4931387338	THRUST COLLAR	0412	abcd.....	1	4931384864	REDUCT. GEAR SHAFT

Repairs/modification and testing of electric power tools are to be carried out by specialists. The safety regulations according to DIN/VDE/CEE/AFNOR and other regulations valid in the different countries are to be observed.

A & M Electric Tools

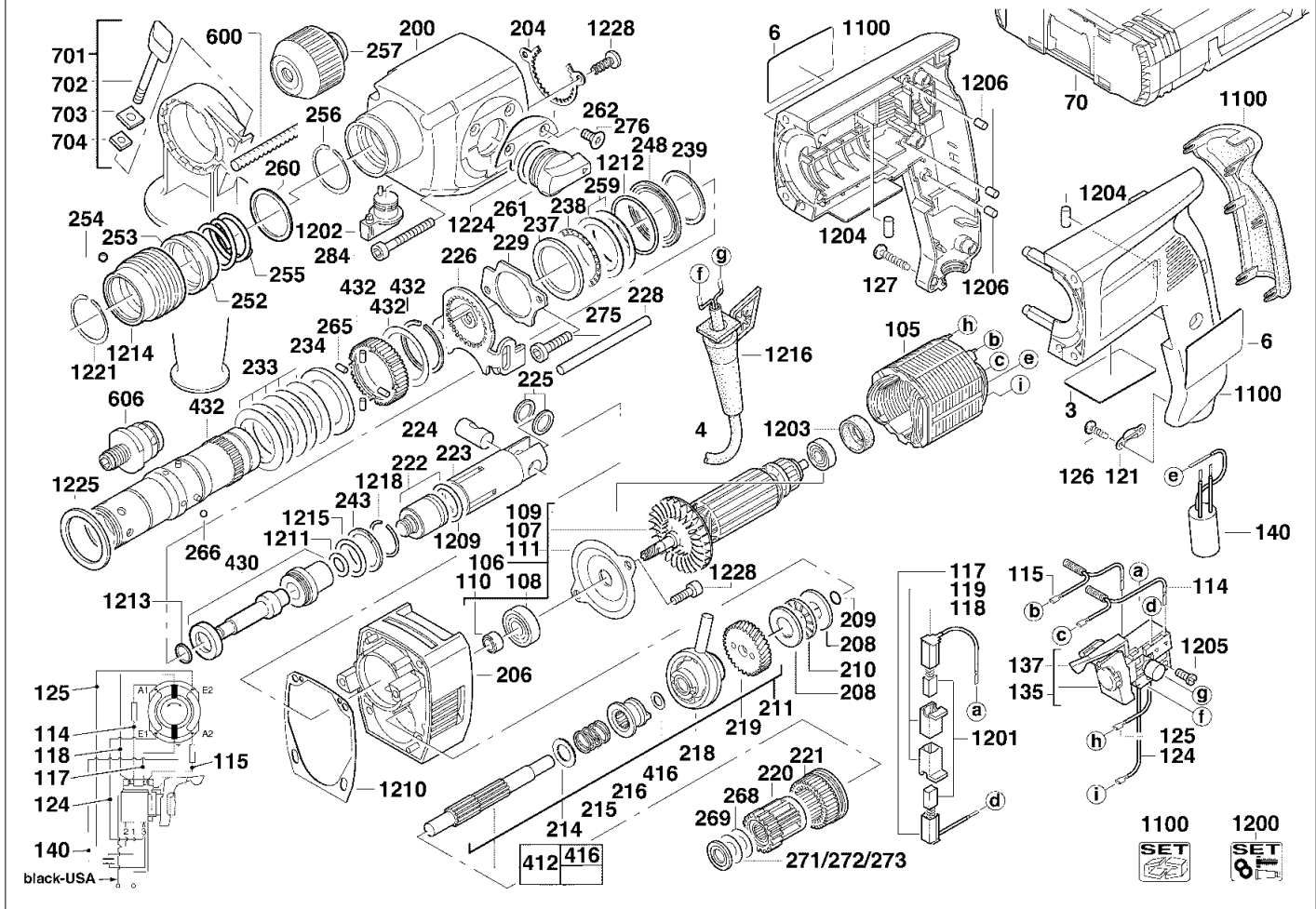
Rotary Hammers

Milwaukee

PPH 24 X2E

Exp.view No. Version Date Page
4926 3823 72 0007 25.08.04 3/3

Ind	Product No.	Type	Voltage	Country	Ind	Product No.	Type	Voltage	Country
a	4000382369	PPH24X2E	220-240V	IN2					
b	4000384073	PPH24X2E	110-120V	GB1					
c	4000384471	PPH24X2E	240V	GB2					
d	4000382369	PPH24X2E	220-240V	AUS					



Pos	Index	Quanti	Article No.	Designation	Pos	Index	Quanti	Article No.	Designation
0416	abcd	1	4931624264	DISC	1212	abcd	1	4931623135	O-RING
0430	abcd	1	4931379881	REPAIR KIT	1213	abcd	1	4931623232	SEAL RING
0432	abcd	1	4931384927	REPAIR KIT	1214	abcd	1	4931379022	SLEEVE
0600	abcd	1	4931384434	DEPTH GAUGE	1215	abcd	1	4931623616	SEAL RING
0606	abcd	1	4931382287	CHUCK ADAPTER	1216	abcd	1	4931332161	CABLE ENTRY SLEEVE
0701	abcd	1	4932373725	HANDLE	1218	abcd	1	4931623636	RING
0702	abcd	1	4931254533	SCREW	1221	abcd	1	4931945764	SPRING RING
0703	abcd	1	4931271221	CLAMPING PLATE	1224	abcd	1	4931623293	O-RING
0704	abcd	1	4931614025	NUT	1225	abcd	1	4931379585	FELT WASHER
1100	abcd	1	4931359606	HOUSING	1228	abcd	4	4931379708	SCREW
1200	a.cd	1	4931382088	MAINTENANCE SET					
1200	.b	1	4931382184	MAINTENANCE SET					
1201	a.cd	1	4931392609	CARBON BRUSH SET					
1201	.b	1	4931392580	CARBON BRUSH SET					
1202	abcd	1	4931392508	SWITCH HANDLE					
1203	abcd	1	4931301483	RUBBER SLEEVE					
1204	abcd	2	4931307423	HOLDING-DOWN DEVIC					
1205	abcd	2	4931621772	SCREW					
1206	abcd	3	4931271824	HOLDING-DOWN DEVIC					
1209	abcd	1	4931379705	SEAL RING					
1210	abcd	1	4931331735	GASKET					
1211	abcd	1	4931623468	RADIAL SEAL RING					

Repairs/modification and testing of electric power tools are to be carried out by specialists. The safety regulations according to DIN/VDE/CEE/AFNOR and other regulations valid in the different countries are to be observed.