

# A & M Electric Tools

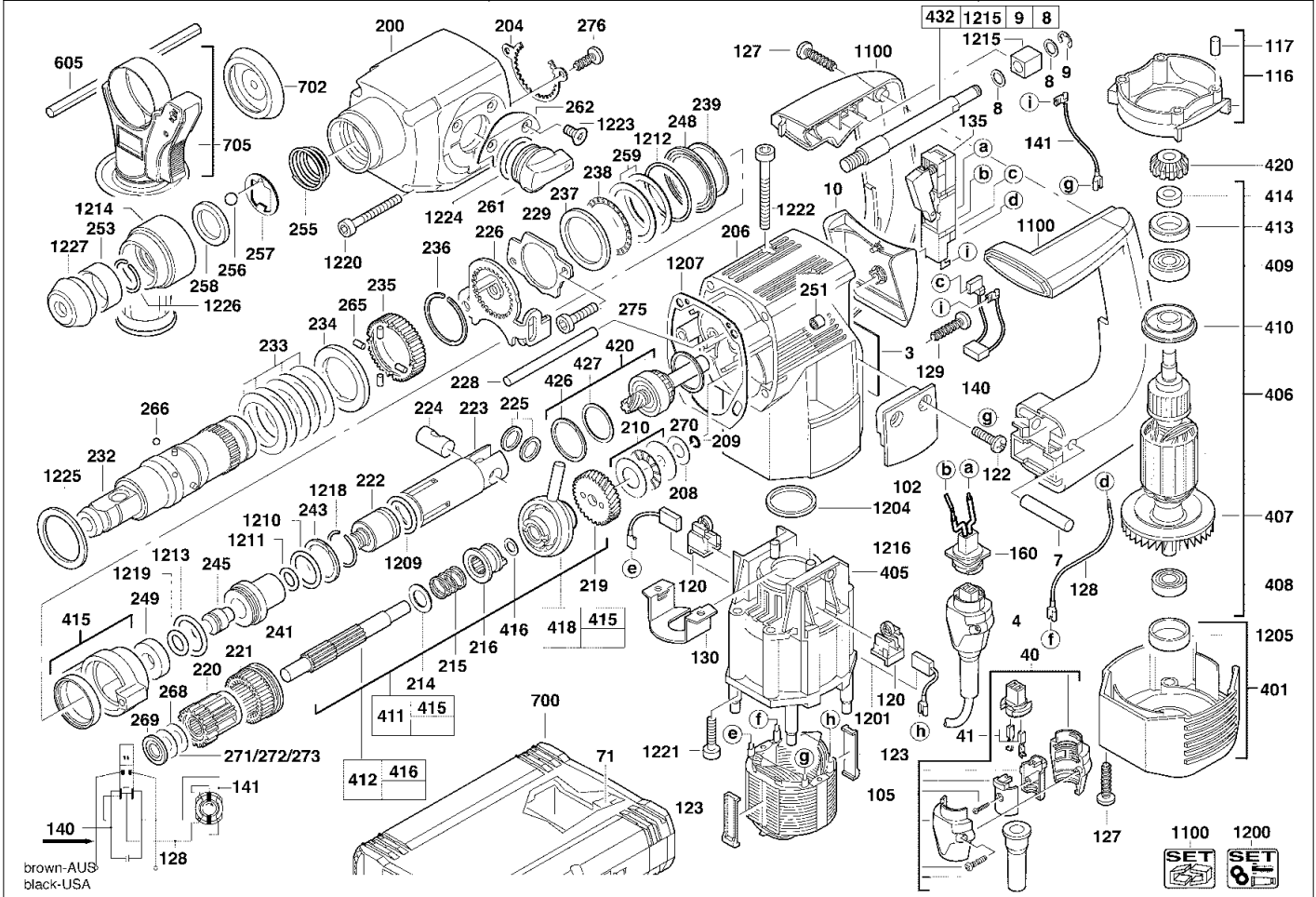
# Rotary Hammers

Ind	Product No.	Type	Voltage	Country
a	4000400100	PLH30QE	220-240V	IN2
b	4000400106	PLH30QE	110-120V	GB1

Ind	Product No.	Type	Voltage	Country
-----	-------------	------	---------	---------

**Milwaukee**  
**PLH 30 QE**

Exp.view No.      Version    Date      Page  
**4926 4001 01    0003 13.02.07 1/3**



Pos	Index	Quanti	Article No.	Designation	Pos	Index	Quanti	Article No.	Designation
0003	a.....	1	4931400103	RATING PLATE	0129	ab.....	1	4931622153	SCREW
0003	.b.....	1	4931400108	RATING PLATE	0130	ab.....	1	4931356869	BEARING COVER
0004	a.....	1	4931624171	CONNECTION CABLE	0135	ab.....	1	4931384896	SWITCH BOARD
0004	.b.....	1	4931624186	CONNECTION CABLE	0140	ab.....	1	4931624270	CAPACITOR
0007	ab.....	1	4931623456	GROOVED DOWEL PIN	0141	ab.....	1	4931624269	WIRE
0008	ab.....	2	4931623094	WASHER	0160	a.....	1	4931364437	INSERT
0009	ab.....	1	4931621834	WASHER	0160	.b.....	1	4931364436	PLUG
0010	ab.....	1	4931360377	GEAR BOX COVER	0200	ab.....	1	4931384040	GEAR BOX
0040	a.....	1	4931380758	REPAIR KIT	0204	ab.....	1	4931331685	WASHER
0040	.b.....	1	4931380761	REPAIR KIT	0206	ab.....	1	4931382948	GEAR BOX
0041	ab.....	1	4931380763	CABLE SOCKET P./10	0208	ab.....	1	4931623637	WASHER
0071	ab.....	1	4931379401	INSERT	0209	ab.....	1	4931941082	O-RING
0102	ab.....	2	4931360518	PROTECTIVE CAP	0210	ab.....	1	4931360041	THRUST BEARING
0105	a.....	1	4931342802	ELECTRIC FIELD	0214	ab.....	1	4931621983	DISC
0105	.b.....	1	4931343664	ELECTRIC FIELD	0215	ab.....	1	4931379589	PRESSURE SPRING
0116	ab.....	1	4931353230	AIR DEFLECTOR RING	0216	ab.....	1	4931379649	COUPLING SLEEVE
0117	ab.....	4	4931332524	HOLDING-DOWN DEVIC	0219	ab.....	1	4931379097	REDUCT GEAR WHEEL
0120	ab.....	2	4931382268	BRUSH HOLDER	0220	ab.....	1	4931384917	PLANET GEAR
0122	ab.....	4	4931624518	SCREW	0221	ab.....	1	4931331769	INTERN.GEARED WHE
0123	ab.....	2	4931342808	CENTERING LEDGE	0222	ab.....	1	4931387332	PERCUSSION BODY
0127	ab.....	7	4931624515	SCREW	0223	ab.....	1	4931379587	CYLINDER
0128	ab.....	1	4931623541	WIRE	0224	ab.....	1	4931331623	CYLINDRICAL BOLT

Repairs/modification and testing of electric power tools are to be carried out by specialists. The safety regulations according to DIN/VDE/CEE/AFNOR and other regulations valid in the different countries are to be observed.

# A & M Electric Tools

# Rotary Hammers

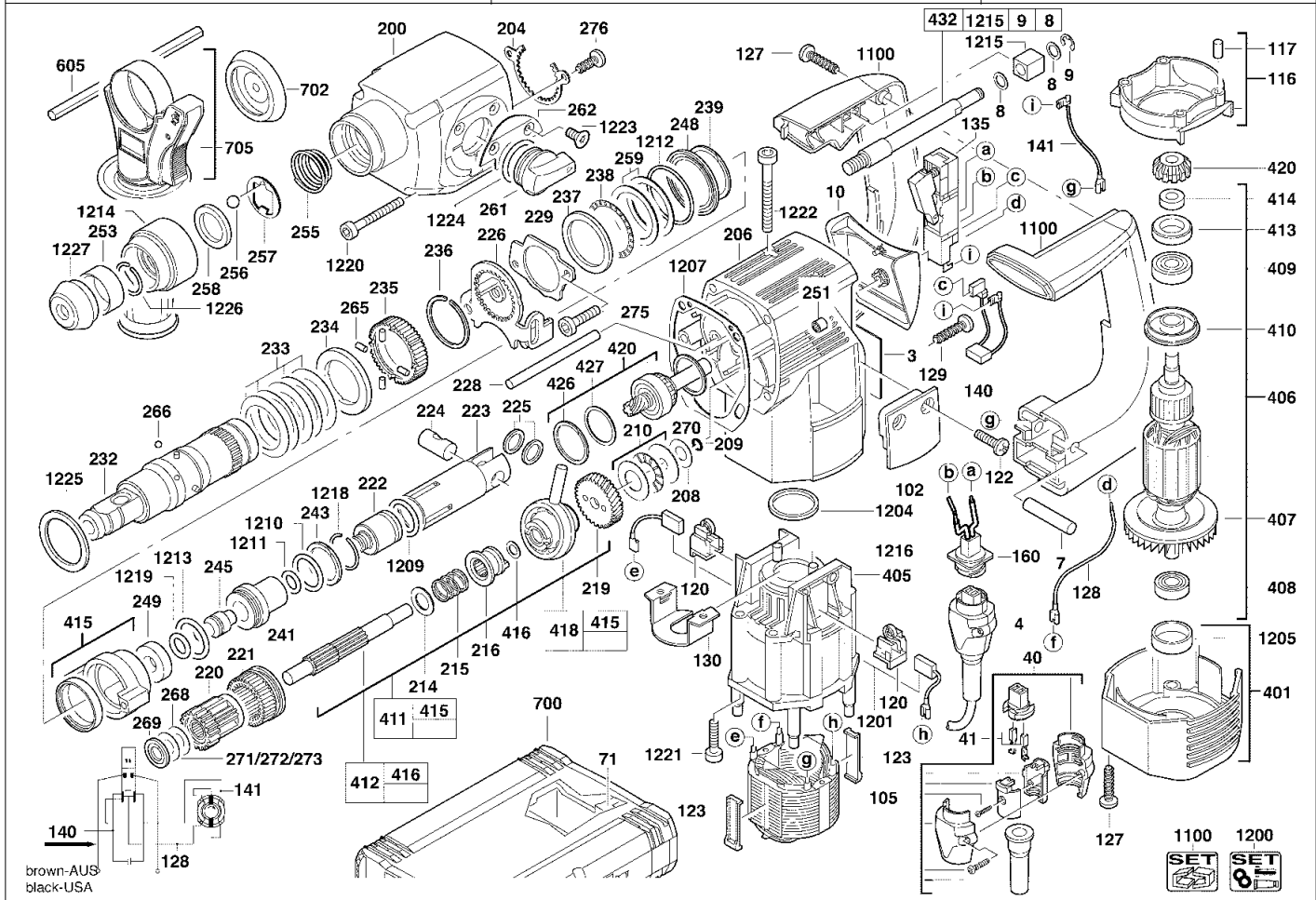
Milwaukee

## PLH 30 QE

Exp.view No.      Version      Date      Page  
**4926 4001 01      0003      13.02.07      2/3**

Ind	Product No.	Type	Voltage	Country
a	4000400100	PLH30QE	220-240V	IN2
b	4000400106	PLH30QE	110-120V	GB1

Ind	Product No.	Type	Voltage	Country
-----	-------------	------	---------	---------



Pos	Index	Quanti	Article No.	Designation	Pos	Index	Quanti	Article No.	Designation
0225	ab.....	1	4931400589	WASHER	0258	ab.....	1	4931343126	HOLDING RING
0226	ab.....	1	4931331752	SLIDER	0259	ab.....	2	4931623200	WASHER
0228	ab.....	1	4931623081	PIN	0261	ab.....	1	4931392506	SWITCH HANDLE
0229	ab.....	1	4931331787	LATCH PLATE	0262	ab.....	1	4931379108	LATCH PLATE
0232	ab.....	1	4931384923	SPINDLE SLEEVE	0265	ab.....	4	4931624045	CYLINDER PULLEY
0233	ab.....	5	4931379071	CUP SPRING	0266	ab.....	4	4931805390	BALL
0234	ab.....	1	4931379110	CLUTCH DISC	0268	ab.....	1	4931624096	DISC
0235	ab.....	1	4931392752	SPINDLE GEAR	0269	ab.....	1	4931379420	SPACER
0236	ab.....	1	4931384919	SPRING RING	0270	ab.....	1	4931360013	RING
0237	ab.....	1	4931623199	WASHER	0271	ab.....	1	4931624098	DISC
0238	ab.....	1	4931331713	THRUST BEARING	0272	ab.....	1	4931624097	DISC
0239	ab.....	1	4931343187	LOCKING WASHER	0273	ab.....	1	4931624096	DISC
0241	ab.....	1	4931387331	SLEEVE	0275	ab.....	2	4931623602	SCREW
0243	ab.....	1	4931387338	THRUST COLLAR	0276	ab.....	2	4931379708	SCREW
0245	ab.....	1	4931387329	SNAP DIE	0401	ab.....	1	4931360732	MOTOR COVER
0248	ab.....	1	4931343049	WASHER	0405	ab.....	1	4931384337	MOTOR HOUSING
0249	ab.....	1	4931382274	STOP WASHER	0406 a.....	1	4931360413	ARMATURE	
0251	ab.....	2	4931219424	NEEDLE BEARING	0406 b.....	1	4931356834	ARMATURE	
0253	ab.....	1	4931360861	DISTANCE SLEEVE	0407	ab.....	1	4931342793	FAN
0255	ab.....	1	4931343128	PRESSURE SPRING	0408	ab.....	1	4931341740	GROOVED BALL BEAR.
0256	ab.....	1	4931911572	BALL	0409	ab.....	1	4931624101	BALL BEARING
0257	ab.....	1	4931343127	SUPPORT PLATE	0410	ab.....	1	4931353260	INSULATING DISC

Repairs/modification and testing of electric power tools are to be carried out by specialists. The safety regulations according to DIN/VDE/CEE/AFNOR and other regulations valid in the different countries are to be observed.

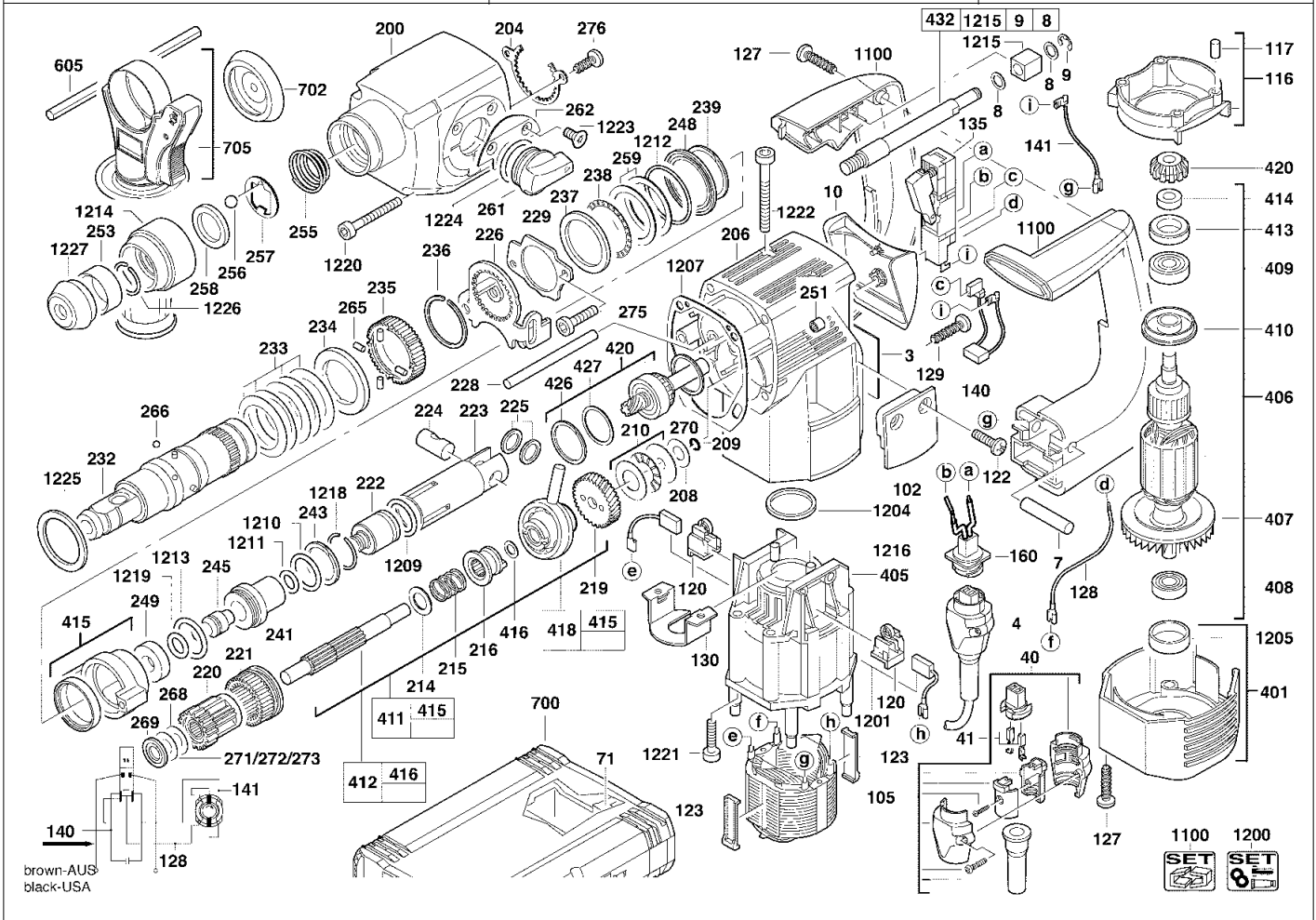
# A & M Electric Tools

# Rotary Hammers

Ind	Product No.	Type	Voltage	Country
a	4000400100	PLH30QE	220-240V	IN2
b	4000400106	PLH30QE	110-120V	GB1

Ind	Product No.	Type	Voltage	Country

Milwaukee	
PLH 30 QE	
Exp.view No.	Version Date Page
4926 4001 01	0003 13.02.07 3/3



Pos	Index	Quanti	Article No.	Designation	Pos	Index	Quanti	Article No.	Designation
0411	ab.....	1	4931384561	REPAIR KIT	1207	ab.....	1	4931331735	GASKET
0412	ab.....	1	4931384864	REDUCT. GEAR SHAFT	1209	ab.....	1	4931379705	SEAL RING
0413	ab.....	1	4931356522	SLEEVE	1210	ab.....	1	4931624492	SEAL RING
0414	ab.....	1	4931353238	SPACER	1211	ab.....	1	4931387348	O-RING
0415	ab.....	1	4931384557	BUSHING	1212	ab.....	1	4931623135	O-RING
0416	ab.....	1	4931624264	DISC	1213	ab.....	1	4931623221	RADIAL SEAL RING
0418	ab.....	1	4931384560	REPAIR KIT	1214	ab.....	1	4931343965	SLEEVE
0420	ab.....	1	4931379098	PINION SHAFT	1215	ab.....	1	4931392502	DAMPING ELEMENT
0426	ab.....	1	4931616614	LOCKING RING	1216	ab.....	2	4931331549	HOLDING-DOWN DEVIC
0427	ab.....	1	4931622564	DISC	1218	ab.....	1	4931623636	RING
0432	ab.....	1	4931400216	REPAIR KIT	1219	ab.....	1	4931624493	SEAL RING
0605	ab.....	1	4931384434	DEPTH GAUGE	1220	ab.....	4	4931623521	SCREW
0700	ab.....	1	4932378986	CARRYING CASE	1221	ab.....	4	4931623520	SCREW
0702	ab.....	1	4932265320	DUST CATCHER	1222	ab.....	2	4931623519	SCREW
0705	ab.....	1	4932373725	HANDLE	1223	ab.....	2	4931379109	SCREW
1100	ab.....	1	4931384324	HANDLE COMPL.	1224	ab.....	1	4931623293	O-RING
1200	a.....	1	4931384737	MAINTENANCE SET	1225	ab.....	1	4931379585	FELT WASHER
1200	.b.....	1	4931384745	MAINTENANCE SET	1226	ab.....	1	4931623220	SPRING RING
1201	a.....	1	4931369477	CARBON BRUSH SET	1227	ab.....	1	4931343123	CAP
1201	.b.....	1	4931392592	CARBON BRUSH SET					
1204	ab.....	1	4931623124	O-RING					
1205	ab.....	1	4931360781	RUBBER SLEEVE					

Repairs/modification and testing of electric power tools are to be carried out by specialists. The safety regulations according to DIN/VDE/CEE/AFNOR and other regulations valid in the different countries are to be observed.