

A & M Electric Tools

Rotary Hammers

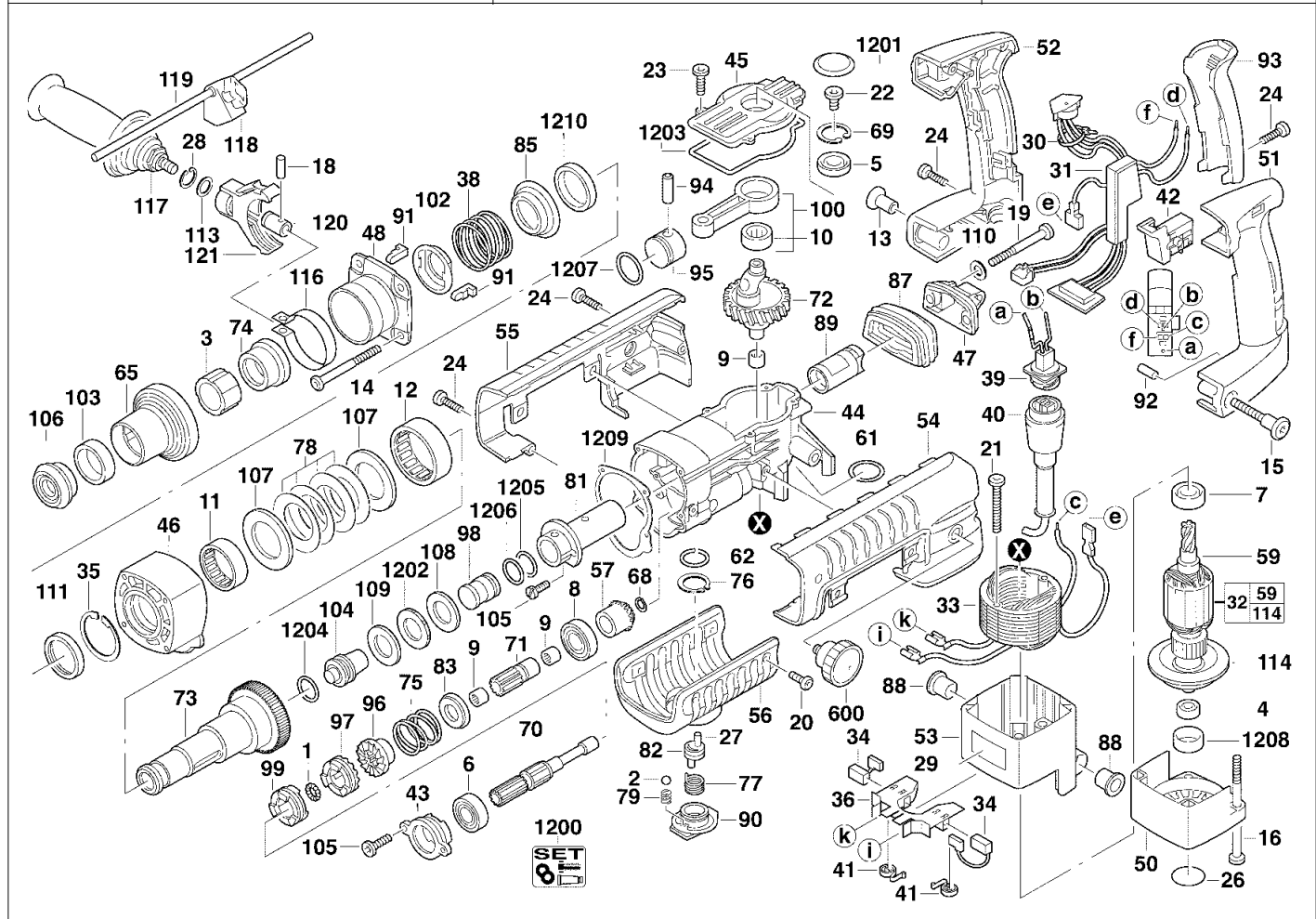
Milwaukee

PHE 45 SQ

Exp.view No. Version Date Page
4926 3845 08 0004 06.05.04 1/3

Ind	Product No.	Type	Voltage	Country
a	4000384507	PHE45SQ	220-240V	IN2
b	4000384507	PHE45SQ	220-240V	AUS
c	4000384507	PHE45SQ	220-240V	GB2
d	4000384507	PHE45SQ	220-240V	CH2
e	4000384590	PHE45SQ	110-120V	GB1

Ind	Product No.	Type	Voltage	Country



Pos	Index	Quanti	Article No.	Designation	Pos	Index	Quanti	Article No.	Designation
0001	abcde.....	12	02020120	BALL	0024	abcde.....	7	06956290	SCREW
0002	abcde.....	2	4931805413	BALL	0026	abcde.....	1	10752760	LABEL
0003	abcde.....	1	31860100	SPACER	0027	abcde.....	1	06653720	PIN
0004	abcde.....	1	02040847	BALL BEARING	0028	abcde.....	1	34602580	RING
0005	abcde.....	1	02040911	BALL BEARING	0029	abcde.....	1	12203330	NAME PLATE
0006	abcde.....	1	02041510	BALL BEARING	0030	abcde.....	2	23780110	WIRE
0007	abcde.....	1	02041518	BALL BEARING	0031	abcd.....	1	14200045	ELECTRONIC ELEMENT
0008	abcde.....	1	02042000	BALL BEARING	0031	...e.....	1	14200845	ELECTRONIC ELEMENT
0009	abcde.....	3	02502470	NEEDLE BEARING	0032	abcd.....	1	16540045	ARMATURE
0010	abcde.....	1	02504020	NEEDLE BEARING	0032	...e.....	1	16500045	ARMATURE
0011	abcde.....	1	02509000	NEEDLE BEARING	0033	abcd.....	1	18540045	FIELD LEAD GROMMET
0012	abcde.....	1	02509985	NEEDLE BEARING	0033	...e.....	1	18500045	ELECTRIC FIELD
0013	abcde.....	1	05590100	NUT	0034	abcd.....	1	22180875	CARBON BRUSH
0014	abcde.....	4	05810830	SCREW	0034	...e.....	1	22180870	CARBON BRUSH
0015	abcde.....	1	05770100	BEARING BOLT	0035	abcde.....	1	34805100	RING
0016	abcde.....	4	05810920	SCREW	0036	abcde.....	1	22221480	BRUSH HOLDER
0018	abcde.....	1	06651660	PIN	0038	abcde.....	1	40508870	PRESSURE SPRING
0019	abcde.....	2	06811805	SCREW	0039	abcd.....	1	22561020	INSERT
0020	abcde.....	4	06827252	SCREW	0039	...e.....	1	22561025	INSERT
0021	abcde.....	2	06827425	SCREW	0040	a.....	1	4931624171	CONNECTION CABLE
0022	abcde.....	1	06828842	SCREW	0040	.b.....	1	4931624342	CONNECTION CABLE
0023	abcde.....	4	06956280	SCREW	0040	.c.....	1	4931624184	CONNECTION CABLE

Repairs/modification and testing of electric power tools are to be carried out by specialists. The safety regulations according to DIN/VDE/CEE/AFNOR and other regulations valid in the different countries are to be observed.

A & M Electric Tools

Rotary Hammers

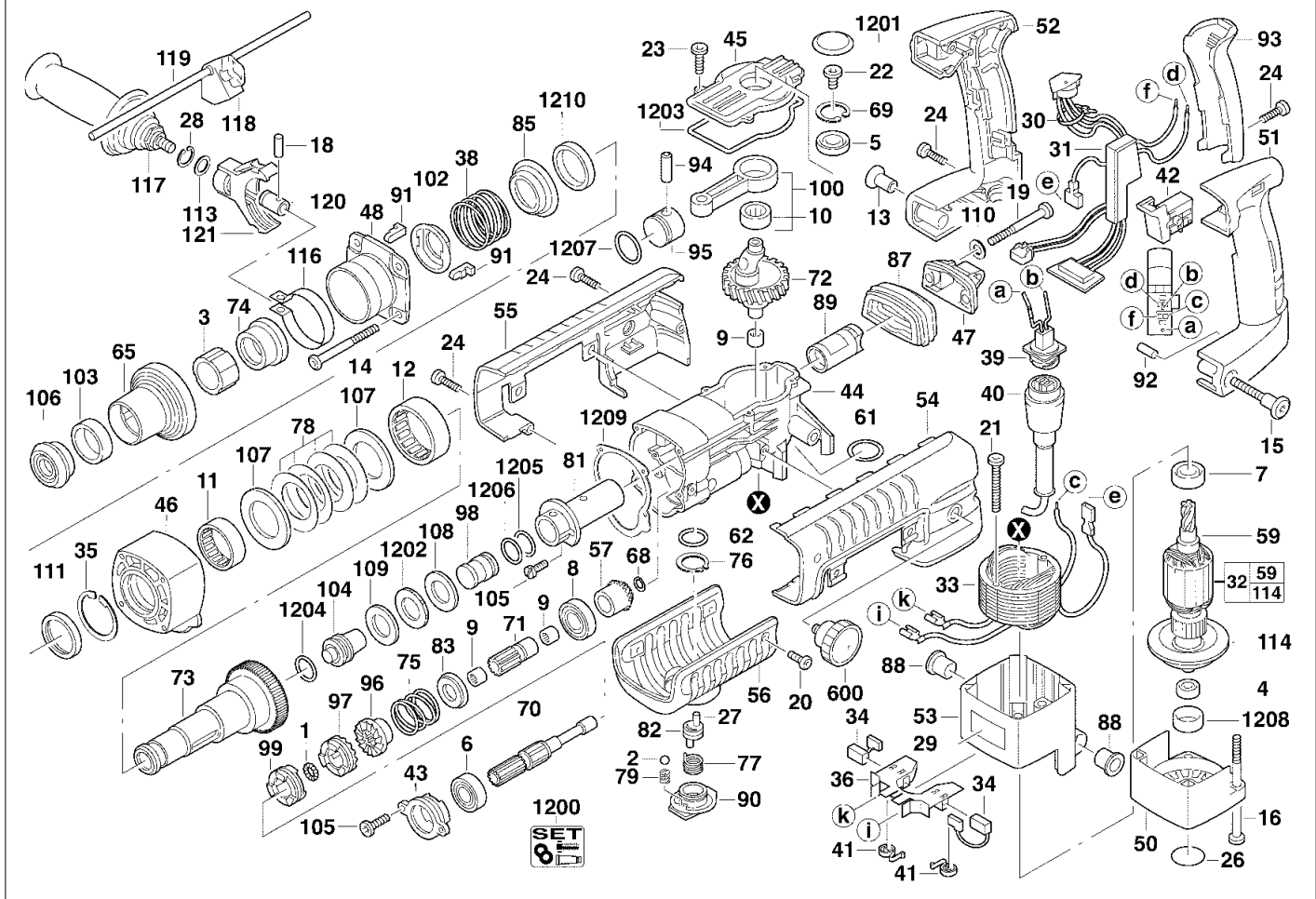
Milwaukee

PHE 45 SQ

Exp.view No. Version Date Page
4926 3845 08 0004 06.05.04 2/3

Ind	Product No.	Type	Voltage	Country
a	4000384507	PHE45SQ	220-240V	IN2
b	4000384507	PHE45SQ	220-240V	AUS
c	4000384507	PHE45SQ	220-240V	GB2
d	4000384507	PHE45SQ	220-240V	CH2
e	4000384590	PHE45SQ	110-120V	GB1

Ind	Product No.	Type	Voltage	Country



Pos	Index	Quanti	Article No.	Designation	Pos	Index	Quanti	Article No.	Designation
0040	...d.....	1	4931624181	CONNECTION CABLE	0068	abcde.....	1	34600700	RING
0040	...e.....	1	22640677	CONNECTION CABLE	0069	abcde.....	1	34805090	RING
0041	abcde.....	2	23521550	PRESSURE SPRING	0070	abcde.....	1	36140790	REDUCT. GEAR SHAFT
0042	abcde.....	1	23662740	SWITCH	0071	abcde.....	1	36140770	SHAFT
0043	abcde.....	1	30890010	BEARING COVER	0072	abcde.....	1	14090140	ECCENTRIC STRAP
0044	abcde.....	1	28142297	CRANKCASE	0073	abcde.....	1	38506145	SPINDLE
0045	abcde.....	1	28201325	COVER	0074	abcde.....	1	42760715	BUSH
0046	abcde.....	1	28508680	HOUSING	0075	abcde.....	1	40508575	PRESSURE SPRING
0047	abcde.....	1	28900280	HANDLE PIECE	0076	abcde.....	1	34603630	PROTECTION WASHER
0048	abcde.....	1	28120110	FLANGE	0077	abcde.....	1	40508585	PRESSURE SPRING
0050	abcde.....	1	31150432	MOTOR COVER	0078	abcde.....	4	40508590	PRESSURE SPRING
0051	abcde.....	1	31441981	HANDLE LEFT	0079	abcde.....	2	40508690	PRESSURE SPRING
0052	abcde.....	1	14461970	HANDLE SET	0081	abcde.....	1	42980300	BARREL
0053	abcde.....	1	31500537	MOTOR HOUSING	0082	abcde.....	1	43060690	DISC
0054	abcde.....	1	31550240	HOUSING	0083	abcde.....	1	43340740	FLANGE
0055	abcde.....	1	31550250	HOUSING	0085	abcde.....	1	43340765	SPRING SLEEVE
0056	abcde.....	1	31550230	HOUSING	0087	abcde.....	1	43870030	INSULATING PART
0057	abcde.....	1	32052250	GEAR BOX	0088	abcde.....	2	43870040	INSULATING PART
0059	abcde.....	1	34603620	RING	0089	abcde.....	1	43870060	INSULATING PART
0061	abcde.....	1	34401375	O-RING	0090	abcde.....	1	43980470	TRIGGER
0062	abcde.....	1	34404160	O-RING	0091	abcde.....	2	43960220	KEY
0065	abcde.....	1	42760710	COVER	0092	abcde.....	1	14461001	HOLDING-DOWN DEVIC

Repairs/modification and testing of electric power tools are to be carried out by specialists. The safety regulations according to DIN/VDE/CEE/AFNOR and other regulations valid in the different countries are to be observed.

A & M Electric Tools

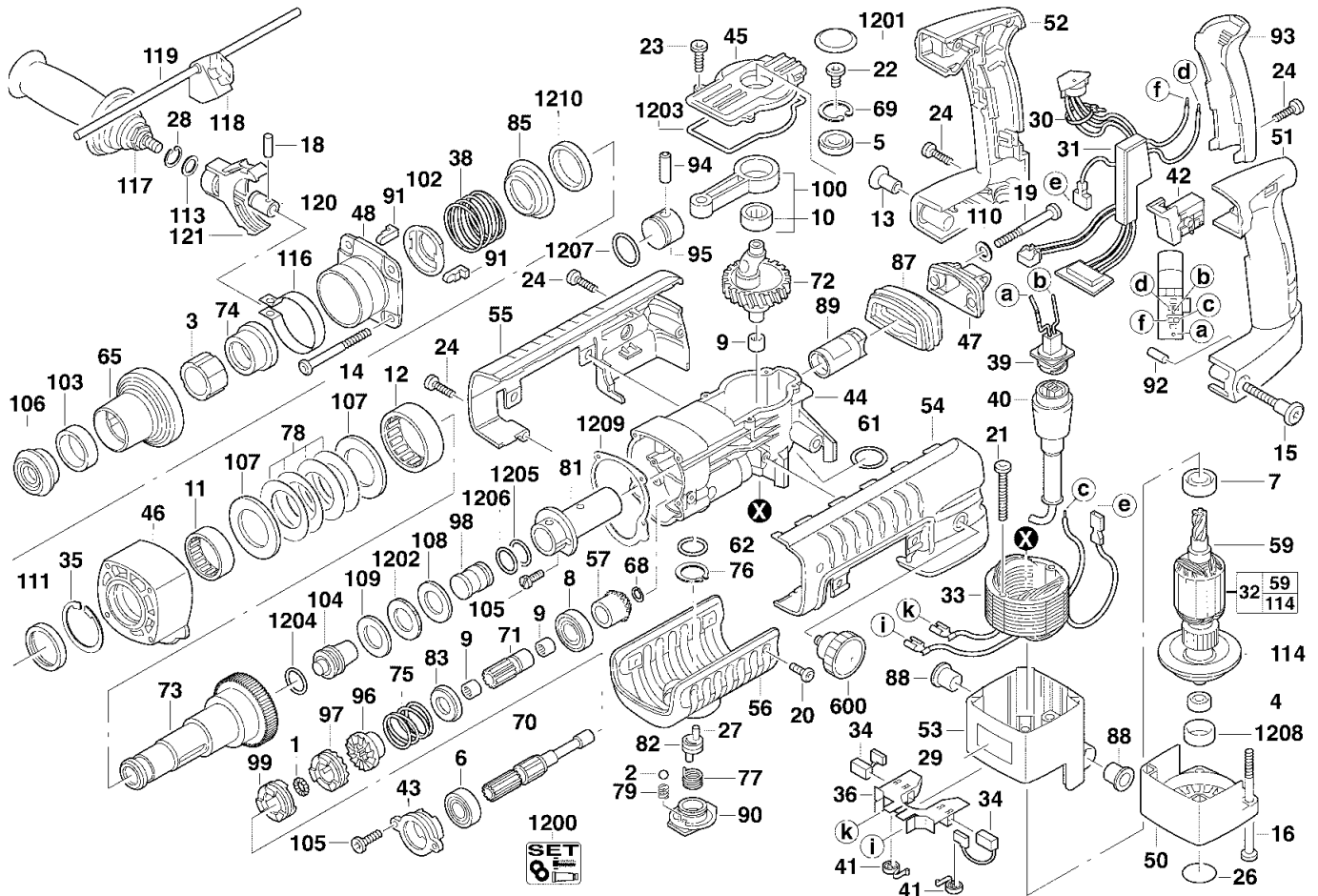
Ind	Product No.	Type	Voltage	Country
a	4000384507	PHE45SQ	220-240V	IN2
b	4000384507	PHE45SQ	220-240V	AUS
c	4000384507	PHE45SQ	220-240V	GB2
d	4000384507	PHE45SQ	220-240V	CH2
e	4000384590	PHE45SQ	110-120V	GB1

Rotary Hammers

Milwaukee

PHE 45 SQ

Exp.view No. Version Date Page
4926 3845 08 0004 06.05.04 3/3



Pos	Index	Quanti	Article No.	Designation
0093	abcde.....	1	44520580	COVER
0094	abcde.....	1	44601710	PIN
0095	abcde.....	1	44620220	PISTON
0096	abcde.....	1	44666030	PLATE
0097	abcde.....	1	44666045	PLATE
0098	abcde.....	1	44820225	RAM
0099	abcde.....	1	44904400	RING
0100	abcde.....	1	44940395	ROD
0102	abcde.....	1	44860610	RING
0103	abcde.....	1	44900005	RING
0104	abcde.....	1	45562620	STRIKER
0105	abcde.....	4	06828872	SCREW
0106	abcde.....	1	45060555	SEAL RING
0107	abcde.....	2	45888520	WASHER
0108	abcde.....	1	45888530	WASHER
0109	abcde.....	1	45888535	WASHER
0110	abcde.....	2	45888555	WASHER
0111	abcde.....	1	45060670	SEAL RING
0113	abcde.....	1	45888730	WASHER
0114	abcde.....	1	22840875	FAN
0116	abcde.....	1	42160125	BAND
0117	abcde.....	1	14340516	HANDLE

Pos	Index	Quanti	Article No.	Designation
0118	abcde.....	1	14340551	DEPTH GAUGE
0119	abcde.....	1	44940165	ROD
0120	abcde.....	1	44860620	RETAINER
0121	abcde.....	1	31442000	HANDLE
0600	abcde.....	1	43980630	TRIGGER
1200	abcde.....	1	14469065	SERVICE-KIT
1201	abcde.....	1	31120270	COVER
1202	abcde.....	1	34404310	SEALING WASHER
1203	abcde.....	1	34404320	COVER
1204	abcde.....	1	34404350	O-RING
1205	abcde.....	1	34400045	SEAL
1206	abcde.....	1	34400046	O-RING
1207	abcde.....	1	34404470	O-RING
1208	abcde.....	1	42960125	BEARING SLEEVE
1209	abcde.....	1	43440970	GASKET
1210	abcde.....	1	45060680	SEAL RING

Repairs/modification and testing of electric power tools are to be carried out by specialists. The safety regulations according to DIN/VDE/CEE/AFNOR and other regulations valid in the different countries are to be observed.