

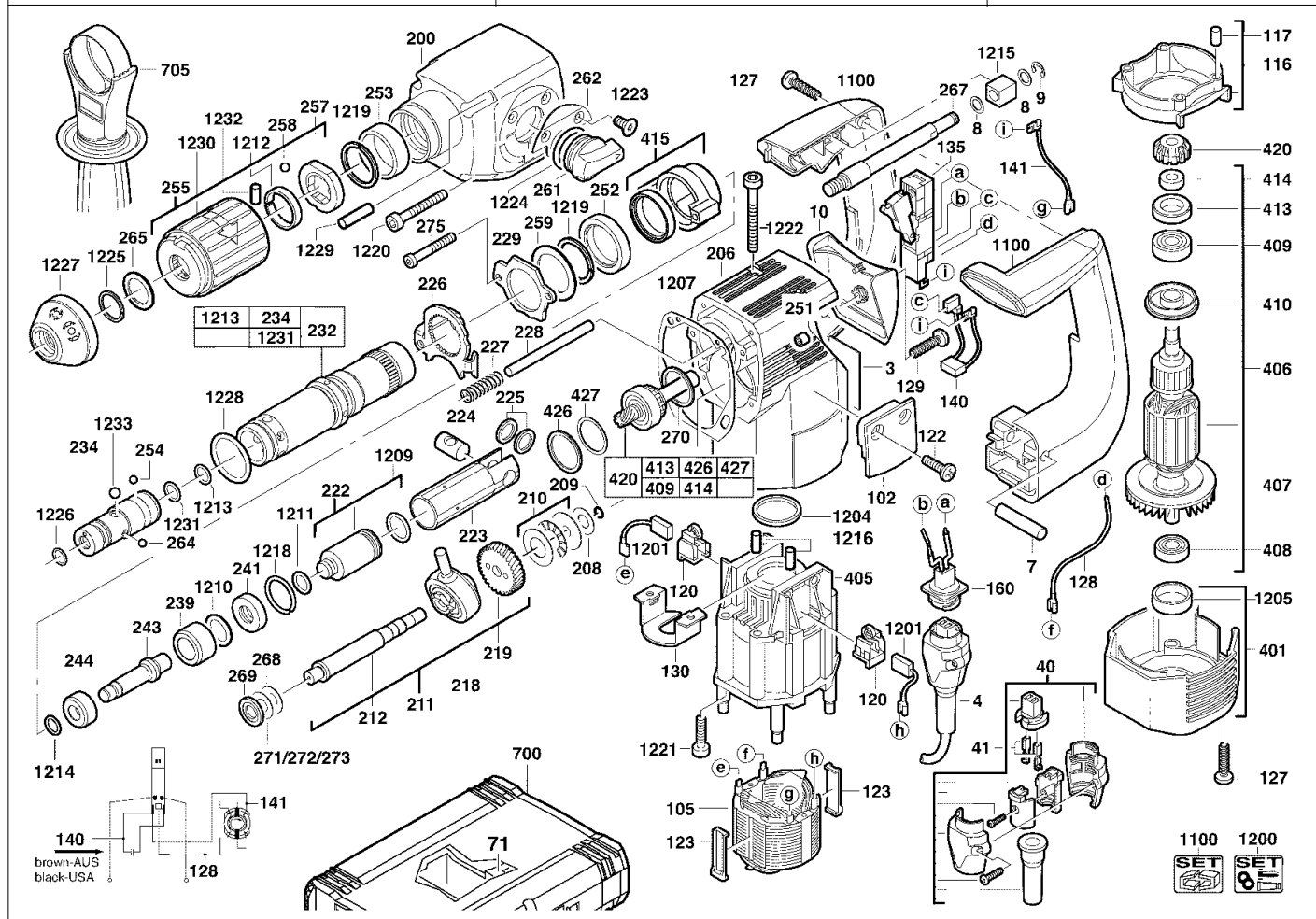
A & M Electric Tools

Ind	Product No.	Type	Voltage	Country
a	4000384301	PCE3Q	220-240V	IN2
b	4000392795	PCE3Q	110-120V	GB1
c	4000392961	PCE3Q	240V	AUS

Rotary Hammers

Milwaukee
PCE 3
PCE 3 Q

Exp.view No. Version Date Page
4926 3843 04 0005 13.02.07 1/3



Pos	Index	Quanti	Article No.	Designation	Pos	Index	Quanti	Article No.	Designation
0003	a.....	1	4931392790	RATING PLATE	0127	abc.....	7	4931624515	SCREW
0003	.b.....	1	4931392798	RATING PLATE	0128	abc.....	1	4931623541	WIRE
0003	.c.....	1	4931392962	RATING PLATE	0129	abc.....	1	4931622153	SCREW
0004	a.....	1	4931624171	CONNECTION CABLE	0130	abc.....	1	4931356869	BEARING COVER
0004	.b.....	1	4931624186	CONNECTION CABLE	0135	abc.....	1	4931384292	SWITCH BOARD
0004	.c.....	1	4931624342	CONNECTION CABLE	0140	abc.....	1	4931624270	CAPACITOR
0007	abc.....	1	4931623456	GROOVED DOWEL PIN	0141	abc.....	1	4931624269	WIRE
0008	abc.....	2	4931623094	WASHER	0160	a.c.....	1	4931364437	INSERT
0009	abc.....	1	4931621834	WASHER	0160	.b.....	1	4931364436	PLUG
0010	abc.....	1	4931360377	GEAR BOX COVER	0200	abc.....	1	4931384312	GEAR BOX
0040	a.c.....	1	4931380758	REPAIR KIT	0206	abc.....	1	4931382948	GEAR BOX
0040	.b.....	1	4931380761	REPAIR KIT	0208	abc.....	1	4931623637	WASHER
0041	abc.....	1	4931380763	CABLE SOCKET P./10	0209	abc.....	1	4931941082	O-RING
0071	abc.....	1	4931379401	INSERT	0210	abc.....	1	4931360041	THRUST BEARING
0102	abc.....	2	4931360518	PROTECTIVE CAP	0211	abc.....	1	4931384313	REDUCT. GEAR SHAFT
0105	a.c.....	1	4931392511	ELECTRIC FIELD	0212	abc.....	1	4931384287	REDUCT. GEAR SHAFT
0105	.b.....	1	4931392799	ELECTRIC FIELD	0218	abc.....	1	4931384560	REPAIR KIT
0116	abc.....	1	4931353230	AIR DEFLECTOR RING	0219	abc.....	1	4931392169	REDUCTION GEAR
0117	abc.....	4	4931332524	HOLDING-DOWN DEVIC	0222	abc.....	1	4931384314	PERCUSSION BODY
0120	abc.....	2	4931382268	BRUSH HOLDER	0223	abc.....	1	4931384279	CYLINDER
0122	abc.....	4	4931624518	SCREW	0224	abc.....	1	4931331623	CYLINDRICAL BOLT
0123	abc.....	2	4931342808	CENTERING LEDGE	0225	abc.....	1	4931400589	WASHER

Repairs/modification and testing of electric power tools are to be carried out by specialists. The safety regulations according to DIN/VDE/CEE/AFNOR and other regulations valid in the different countries are to be observed.

A & M Electric Tools

Ind	Product No.	Type	Voltage	Country
a	4000384301	PCE3Q	220-240V	IN2
b	4000392795	PCE3Q	110-120V	GB1
c	4000392961	PCE3Q	240V	AUS

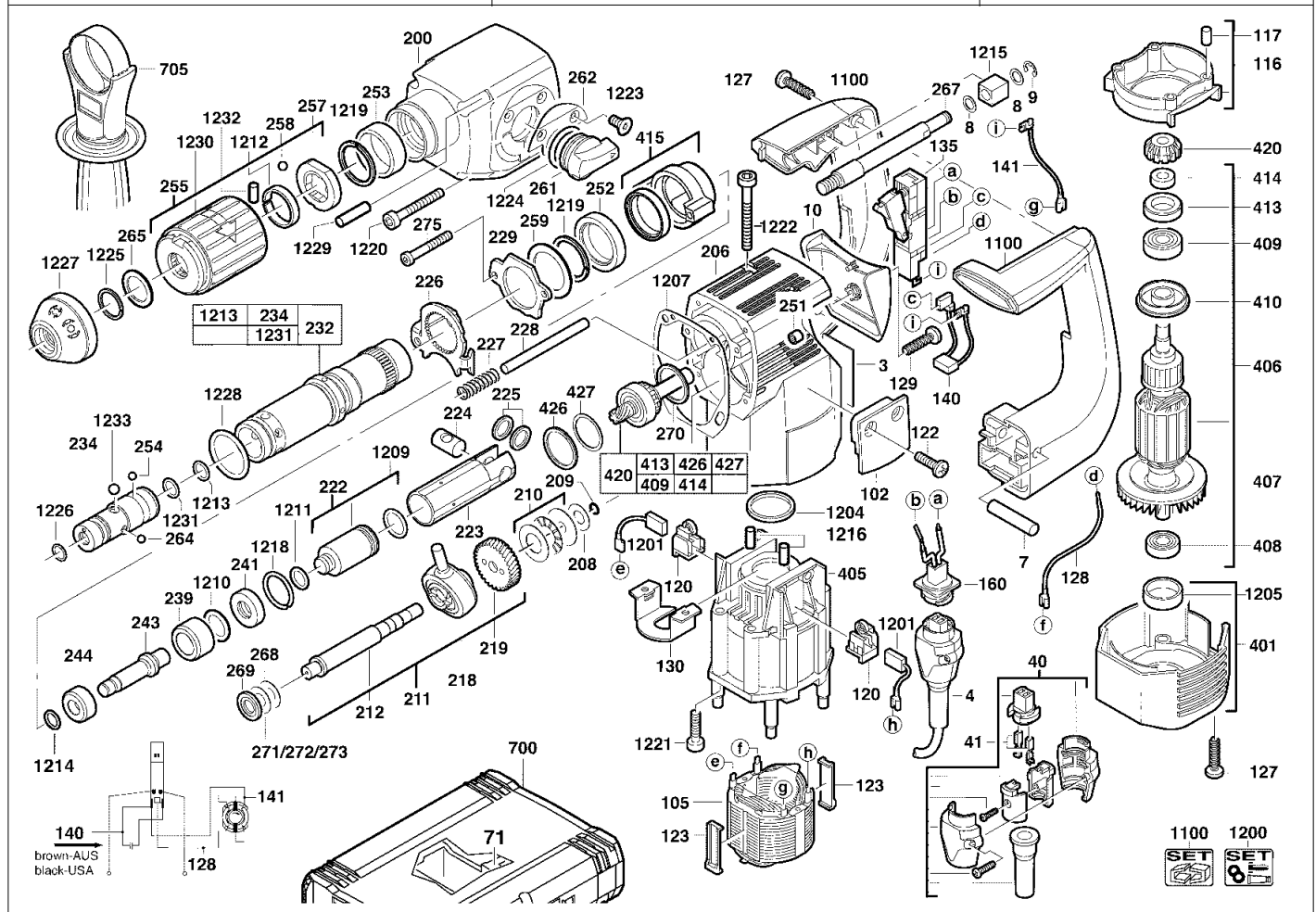
Rotary Hammers

Milwaukee

PCE 3

PCE 3 Q

Exp.view No. Version Date Page
4926 3843 04 0005 13.02.07 2/3



Pos	Index	Quanti	Article No.	Designation	Pos	Index	Quanti	Article No.	Designation
0226	abc.....	1	4931384316	LOCKING PIECE	0267	abc.....	1	4931392501	BOLT
0227	abc.....	1	4931384293	PRESSURE SPRING	0268	abc.....	1	4931624096	DISC
0228	abc.....	1	4931623081	PIN	0269	abc.....	1	4931379420	SPACER
0229	abc.....	1	4931331787	LATCH PLATE	0270	abc.....	1	4931360013	RING
0232	abc.....	1	4931392170	SPINDLE	0271	abc.....	1	4931624098	DISC
0234	abc.....	1	4931384294	ADAPTER	0272	abc.....	1	4931624097	DISC
0239	abc.....	1	4931384282	SLEEVE	0273	abc.....	1	4931624096	DISC
0241	abc.....	1	4931384281	CORE LIFTER RING	0275	abc.....	2	4931624282	SCREW
0243	abc.....	1	4931384284	SNAP DIE	0401	abc.....	1	4931360732	MOTOR COVER
0244	abc.....	1	4931384283	STOP WASHER	0405	abc.....	1	4931384337	MOTOR HOUSING
0251	abc.....	2	4931219424	NEEDLE BEARING	0406	a.c.....	1	4931392515	ARMATURE
0252	abc.....	1	4931384856	JUNK RING	0406	.b.....	1	4931392801	ARMATURE
0253	abc.....	1	4931384286	HOLDING RING	0407	abc.....	1	4931342793	FAN
0254	abc.....	6	4931805437	BALL	0408	abc.....	1	4931341740	GROOVED BALL BEAR.
0255	abc.....	1	4931384299	SET SLEEVE	0409	abc.....	1	4931624101	BALL BEARING
0257	abc.....	1	4931392161	JUMPER RING	0410	abc.....	1	4931353260	INSULATING DISC
0258	abc.....	1	4931805413	BALL	0413	abc.....	1	4931356522	SLEEVE
0259	abc.....	1	4931623199	WASHER	0414	abc.....	1	4931353238	SPACER
0261	abc.....	1	4931392506	SWITCH HANDLE	0415	abc.....	1	4931384557	BUSHING
0262	abc.....	1	4931379108	LATCH PLATE	0420	abc.....	1	4931379098	PINION SHAFT
0264	abc.....	1	4931805413	BALL	0426	abc.....	1	4931616614	LOCKING RING
0265	abc.....	1	4931624280	DISC	0427	abc.....	1	4931622564	DISC

Repairs/modification and testing of electric power tools are to be carried out by specialists. The safety regulations according to DIN/VDE/CEE/AFNOR and other regulations valid in the different countries are to be observed.

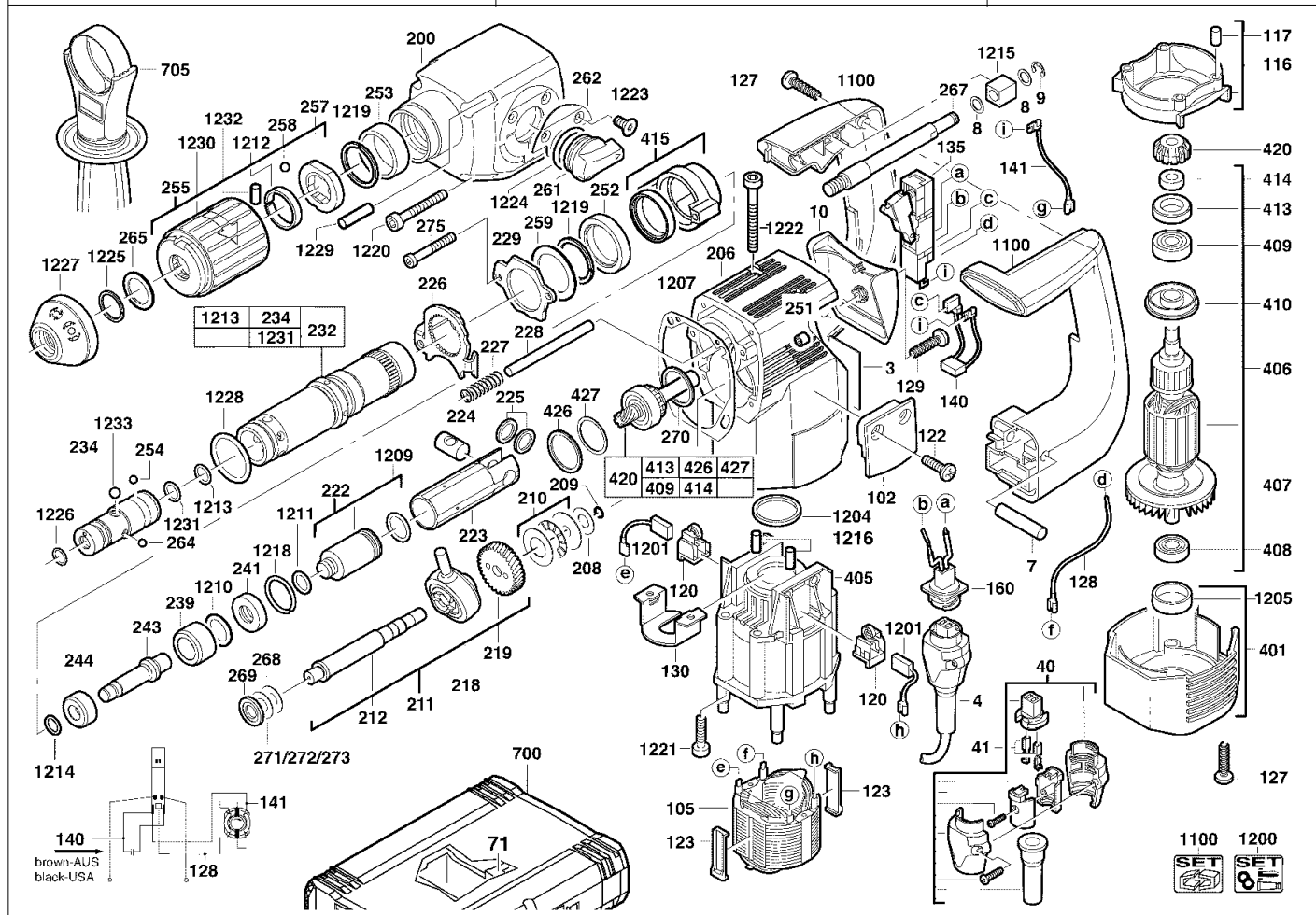
A & M Electric Tools

Rotary Hammers

Ind	Product No.	Type	Voltage	Country
a	4000384301	PCE3Q	220-240V	IN2
b	4000392795	PCE3Q	110-120V	GB1
c	4000392961	PCE3Q	240V	AUS

Ind	Product No.	Type	Voltage	Country
-----	-------------	------	---------	---------

Milwaukee			
PCE 3			
PCE 3 Q			
Exp.view No.	Version	Date	Page
4926 3843 04	0005	13.02.07	3/3



Pos	Index	Quanti	Article No.	Designation
0700	abc	1	4932378986	CARRYING CASE
0705	abc	1	4931392531	HANDLE
1100	abc	1	4931384324	HANDLE COMPL.
1200	a.c	1	4931384311	MAINTENANCE SET
1200	.b	1	4931392803	MAINTENANCE SET
1201	a.c	1	4931369477	CARBON BRUSH SET
1201	.b	1	4931392592	CARBON BRUSH SET
1204	abc	1	4931623124	O-RING
1205	abc	1	4931360781	RUBBER SLEEVE
1207	abc	1	4931392504	SEAL
1209	abc	1	4931379705	SEAL RING
1210	abc	1	4931624492	SEAL RING
1211	abc	1	4931624226	SEAL RING
1212	abc	1	4931321064	SPRING
1213	abc	1	4931624322	SEAL RING
1214	abc	1	4931624227	SEAL RING
1215	abc	1	4931392502	DAMPING ELEMENT
1216	abc	2	4931331549	HOLDING-DOWN DEVIC
1218	abc	1	4931623636	RING
1219	abc	2	4931945764	SPRING RING
1220	abc	4	4931623521	SCREW
1221	abc	4	4931623520	SCREW

Pos	Index	Quanti	Article No.	Designation
1222	abc	2	4931623519	SCREW
1223	abc	2	4931379109	SCREW
1224	abc	1	4931623293	O-RING
1225	abc	1	4931622874	SPRING RING
1226	abc	1	4931624493	SEAL RING
1227	abc	1	4931384925	RUBBER CAP
1228	abc	1	4931624225	SEAL RING
1229	abc	1	4931392505	GREASE RETAIN.PLUG
1230	abc	1	4931384295	SET SLEEVE
1231	abc	1	4931392528	HOLDING DISC
1232	abc	1	4931307423	HOLDING-DOWN DEVIC
1233	abc	2	4931624303	BALL

Repairs/modification and testing of electric power tools are to be carried out by specialists. The safety regulations according to DIN/VDE/CEE/AFNOR and other regulations valid in the different countries are to be observed.