

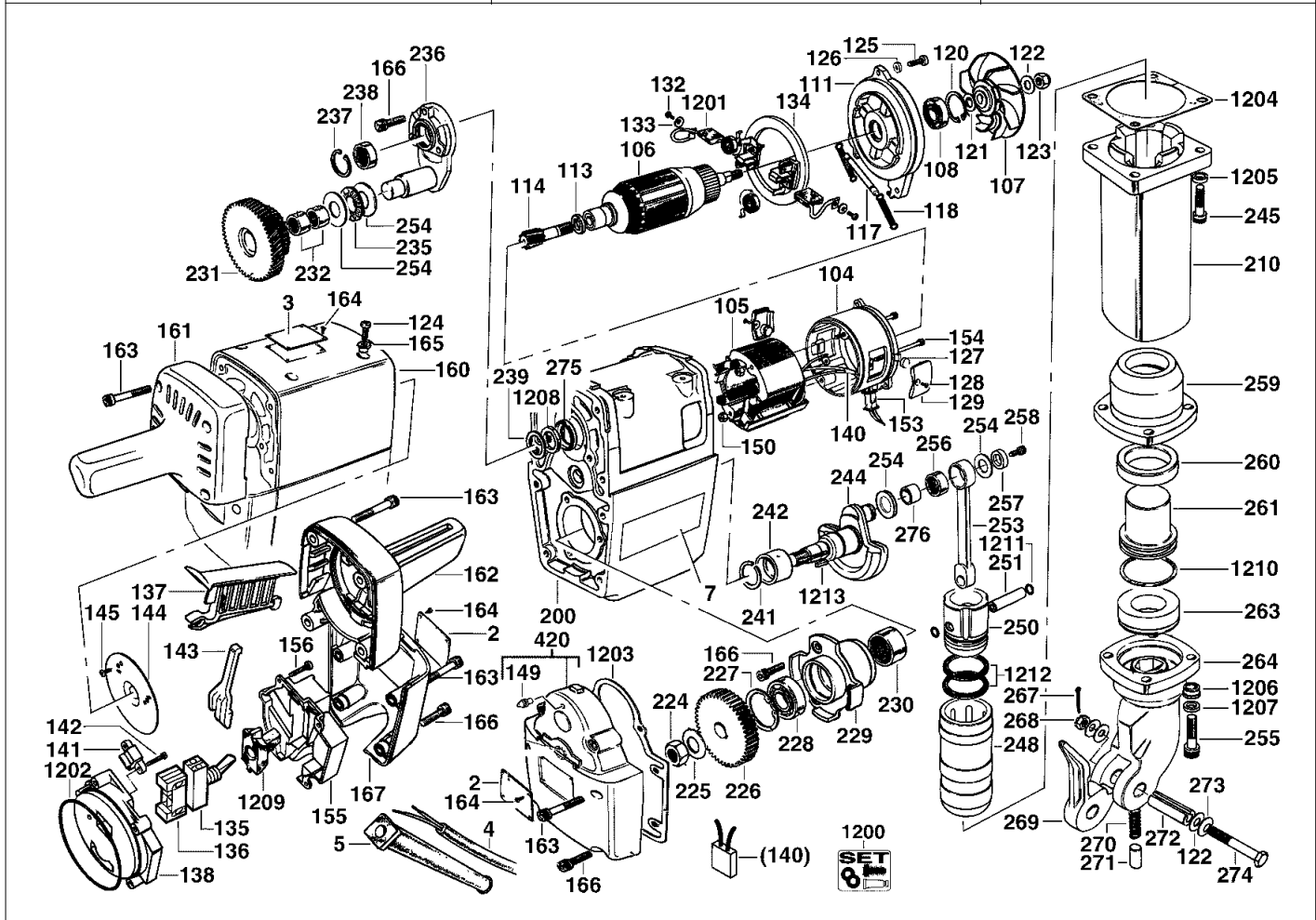
# A & M Electric Tools

| Ind | Product No. | Type          | Voltage  | Country |
|-----|-------------|---------------|----------|---------|
| a   | 4000384158  | PB32B BREAKER | 220-230V | IN2     |
| b   | 4000384247  | PB32B BREAKER | 110V     | GB1     |
| c   | 4000384265  | PB32B BREAKER | 240V     | GB2     |

# Rotary Hammers

Milwaukee  
**PB32B**

Exp.view No.      Version      Date      Page  
**4926 3841 60      0002      08.02.02      1/3**



| Pos  | Index    | Quanti | Article No. | Designation        | Pos  | Index    | Quanti | Article No. | Designation       |
|------|----------|--------|-------------|--------------------|------|----------|--------|-------------|-------------------|
| 0002 | abc..... | 2      | 4931374932  | NAME PLATE         | 0120 | abc..... | 1      | 9170051250  | PROTECTION WASHER |
| 0003 | a.....   | 1      | 4931384165  | RATING PLATE       | 0121 | abc..... | 1      | 9170050470  | SPRING WASHER     |
| 0003 | .b.....  | 1      | 4931384251  | RATING PLATE       | 0122 | abc..... | 3      | 9170051330  | WASHER            |
| 0003 | ..c..... | 1      | 4931384269  | RATING PLATE       | 0123 | abc..... | 1      | 9170051170  | NUT               |
| 0004 | a.....   | 1      | 9170333890  | CONNECTION CABLE   | 0124 | abc..... | 4      | 9170051070  | SCREW             |
| 0004 | .b.....  | 1      | 4931624035  | CONNECTION CABLE   | 0125 | abc..... | 3      | 9170330560  | SCREW             |
| 0004 | ..c..... | 1      | 4931624036  | CONNECTION CABLE   | 0126 | abc..... | 3      | 9170330570  | WASHER            |
| 0005 | abc..... | 1      | 9170052310  | CABLE ENTRY SLEEVE | 0127 | abc..... | 2      | 9170043200  | TERMINAL          |
| 0007 | abc..... | 2      | 4931374933  | ADHESIVE LABEL     | 0128 | abc..... | 2      | 9170019870  | SCREW             |
| 0104 | abc..... | 1      | 9170053049  | BRUSH HOLDER       | 0129 | abc..... | 1      | 9170051290  | BUSH              |
| 0105 | a.....   | 1      | 9170053440  | ELECTRIC FIELD     | 0132 | abc..... | 2      | 9170069080  | SWITCH SCREW      |
| 0105 | .b.....  | 1      | 9170053410  | ELECTRIC FIELD     | 0133 | abc..... | 2      | 9170020190  | WASHER            |
| 0105 | ..c..... | 1      | 9170053450  | ELECTRIC FIELD     | 0134 | abc..... | 1      | 9170053010  | BRUSH HOLDER      |
| 0106 | a.c..... | 1      | 9170050830  | ARMATURE           | 0135 | abc..... | 1      | 9170320410  | SWITCH            |
| 0106 | .b.....  | 1      | 9170050800  | ARMATURE           | 0136 | abc..... | 1      | 9170320400  | COLLAR            |
| 0107 | abc..... | 1      | 9170050490  | FAN                | 0137 | abc..... | 1      | 9170053640  | SWITCH BUTTON     |
| 0108 | abc..... | 1      | 9170021400  | BEARING            | 0138 | abc..... | 1      | 9170052530  | HOUSING           |
| 0111 | abc..... | 1      | 9170051430  | BEARING END PLATE  | 0140 | a.....   | 1      | 9170334560  | CAPACITOR         |
| 0113 | abc..... | 1      | 9170050250  | SPACER             | 0141 | abc..... | 1      | 9170039350  | CABLE CLAMP       |
| 0114 | abc..... | 1      | 9170050240  | PINION             | 0142 | abc..... | 2      | 9170019750  | SWITCH SCREW      |
| 0117 | abc..... | 1      | 9170051280  | SPRING             | 0143 | abc..... | 1      | 9170052330  | SWITCH LEVER      |
| 0118 | abc..... | 2      | 9170052560  | SPRING             | 0144 | abc..... | 1      | 9170050990  | PLATE             |

Repairs/modification and testing of electric power tools are to be carried out by specialists. The safety regulations according to DIN/VDE/CEE/AFNOR and other regulations valid in the different countries are to be observed.

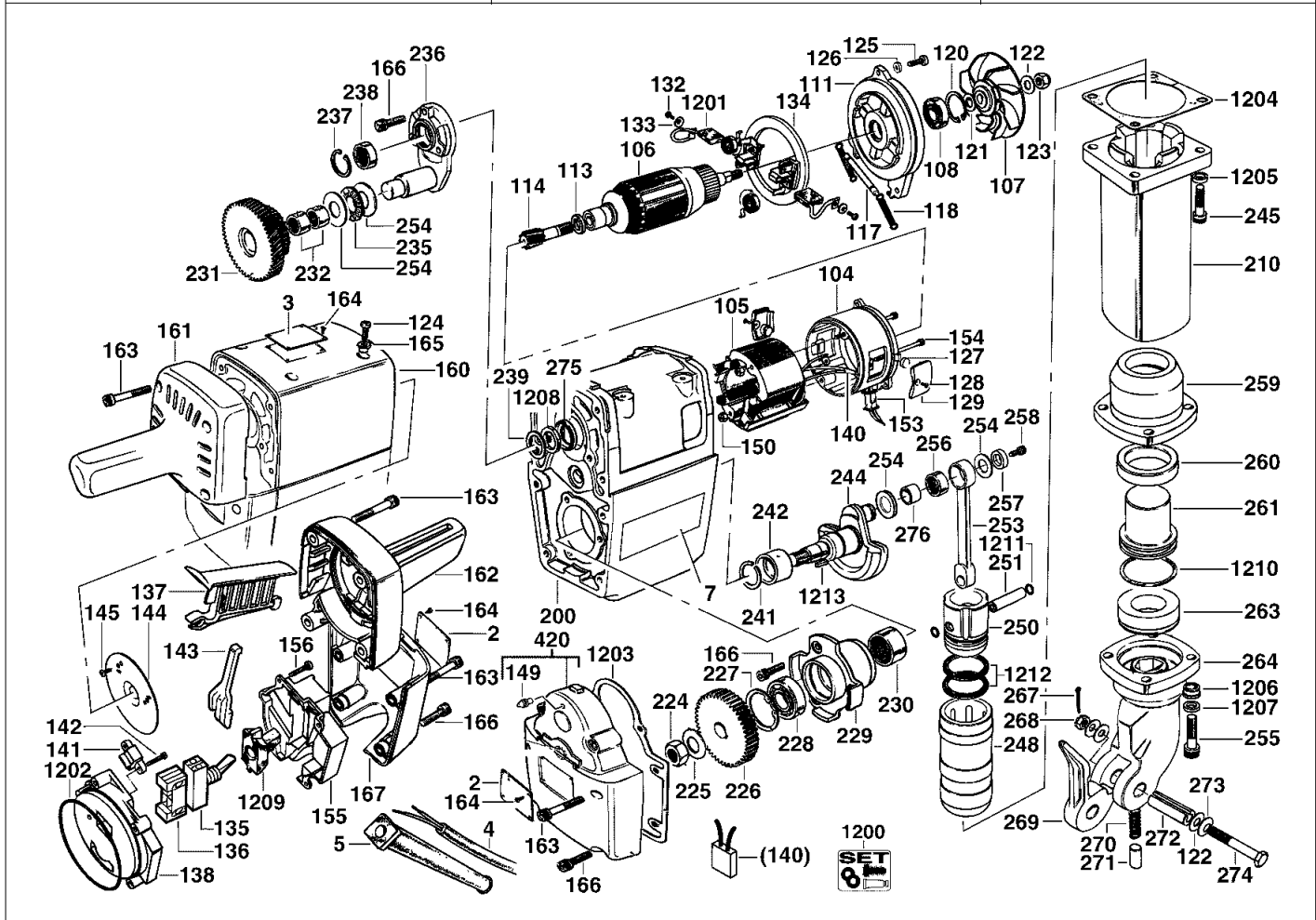
# A & M Electric Tools

| Ind | Product No. | Type          | Voltage  | Country |
|-----|-------------|---------------|----------|---------|
| a   | 4000384158  | PB32B BREAKER | 220-230V | IN2     |
| b   | 4000384247  | PB32B BREAKER | 110V     | GB1     |
| c   | 4000384265  | PB32B BREAKER | 240V     | GB2     |

# Rotary Hammers

**Milwaukee**  
**PB32B**

Exp.view No.      Version    Date      Page  
**4926 3841 60    0002 08.02.02    2/3**



| Pos  | Index    | Quanti | Article No. | Designation       | Pos  | Index    | Quanti | Article No. | Designation       |
|------|----------|--------|-------------|-------------------|------|----------|--------|-------------|-------------------|
| 0145 | abc..... | 2      | 9170279750  | SCREW             | 0229 | abc..... | 1      | 9170050280  | HOUSING           |
| 0149 | abc..... | 1      | 9170314091  | VALVE             | 0230 | abc..... | 1      | 9170050590  | NEEDLE BEARING    |
| 0150 | abc..... | 2      | 9170051920  | NUT               | 0231 | abc..... | 1      | 9170330640  | REDUCTION GEAR    |
| 0153 | abc..... | 1      | 9170051020  | PLUG              | 0232 | abc..... | 2      | 4931941156  | NEEDLE BEARING    |
| 0154 | abc..... | 2      | 9170019900  | SCREW             | 0235 | abc..... | 1      | 4931379349  | THRUST BEARING    |
| 0155 | abc..... | 1      | 9170050110  | COVER             | 0236 | abc..... | 1      | 9170330620  | ASSEMBLY KIT      |
| 0156 | abc..... | 4      | 9170069170  | SCREW             | 0237 | abc..... | 1      | 9170234090  | PROTECTION WASHER |
| 0160 | abc..... | 1      | 9170309950  | COVER             | 0238 | abc..... | 1      | 4931621542  | NEEDLE BEARING    |
| 0161 | abc..... | 1      | 9170309990  | HANDLE            | 0239 | abc..... | 1      | 9170051980  | WASHER            |
| 0162 | abc..... | 1      | 4931396022  | HANDLE            | 0241 | abc..... | 1      | 9170051240  | SPRING RING       |
| 0163 | abc..... | 14     | 4931624074  | SCREW             | 0242 | abc..... | 1      | 9170050600  | BALL RACE         |
| 0164 | abc..... | 12     | 9170019150  | SCREW             | 0244 | abc..... | 1      | 9170050230  | CRANKSHAFT        |
| 0165 | abc..... | 4      | 9170050170  | INSERT            | 0245 | abc..... | 4      | 9170051100  | SCREW             |
| 0166 | abc..... | 10     | 4931624072  | SCREW             | 0248 | abc..... | 1      | 9170053180  | PERCUSSION BODY   |
| 0167 | abc..... | 1      | 4931396021  | COVER             | 0250 | abc..... | 1      | 9170292890  | PISTON            |
| 0200 | abc..... | 1      | 9170312910  | HOUSING           | 0251 | abc..... | 1      | 9170037050  | BOLT              |
| 0210 | abc..... | 1      | 9170311180  | BARREL            | 0253 | abc..... | 1      | 9170050220  | CONNECTING ROD    |
| 0224 | abc..... | 1      | 9170069710  | NUT               | 0254 | abc..... | 4      | 4931624064  | DISC              |
| 0225 | abc..... | 1      | 9170069720  | CUP SPRING        | 0255 | abc..... | 4      | 9170320750  | SCREW             |
| 0226 | abc..... | 1      | 9170050310  | WHEEL             | 0256 | abc..... | 1      | 9170252431  | NEEDLE BEARING    |
| 0227 | abc..... | 1      | 9170301330  | PROTECTION WASHER | 0257 | abc..... | 1      | 9170050510  | RETAINER          |
| 0228 | abc..... | 1      | 9170050580  | BALL BEARING      | 0258 | abc..... | 1      | 9170050370  | SCREW             |

Repairs/modification and testing of electric power tools are to be carried out by specialists. The safety regulations according to DIN/VDE/CEE/AFNOR and other regulations valid in the different countries are to be observed.

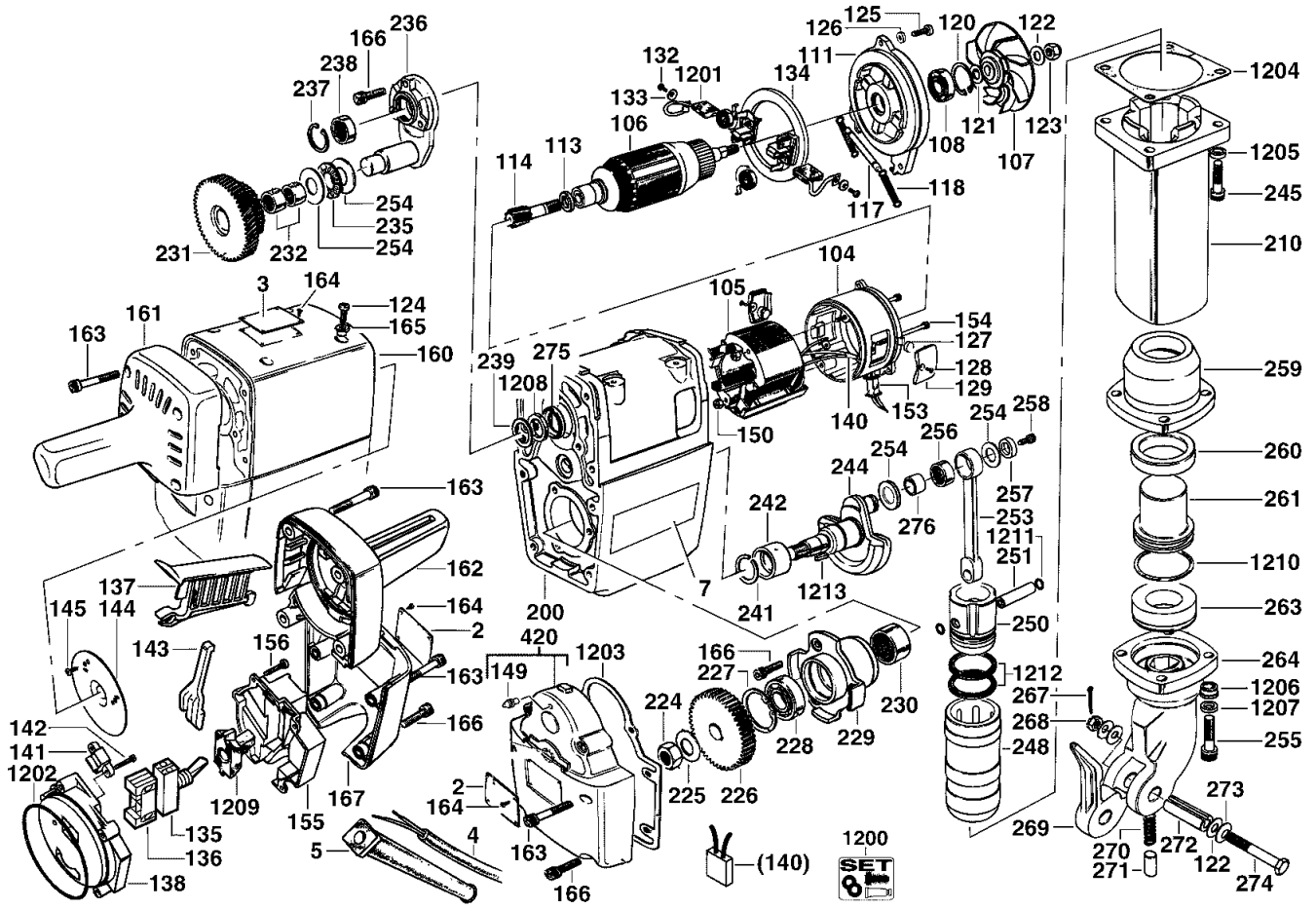
# A & M Electric Tools

| Ind | Product No. | Type          | Voltage  | Country |
|-----|-------------|---------------|----------|---------|
| a   | 4000384158  | PB32B BREAKER | 220-230V | IN2     |
| b   | 4000384247  | PB32B BREAKER | 110V     | GB1     |
| c   | 4000384265  | PB32B BREAKER | 240V     | GB2     |

# Rotary Hammers

Milwaukee  
**PB32B**

Exp.view No.      Version    Date      Page  
4926 3841 60    0002    08.02.02    3/3



| Pos  | Index    | Quanti | Article No. | Designation      |
|------|----------|--------|-------------|------------------|
| 0259 | abc..... | 1      | 9170292880  | HOUSING          |
| 0260 | abc..... | 1      | 9170292870  | SHOCK ABSORBER   |
| 0261 | abc..... | 1      | 9170300090  | PERCUSSION BODY  |
| 0263 | abc..... | 1      | 9170051960  | SHOCK ABSORBER   |
| 0264 | abc..... | 1      | 9170292910  | ADAPTER SLEEVE   |
| 0267 | abc..... | 1      | 9170022960  | PIN              |
| 0268 | abc..... | 1      | 9170069570  | NUT              |
| 0269 | abc..... | 1      | 9170050340  | TRIGGER          |
| 0270 | abc..... | 1      | 9170051360  | PRESSURE SPRING  |
| 0271 | abc..... | 1      | 9170051350  | LATCH            |
| 0272 | abc..... | 1      | 9170050640  | PIN              |
| 0273 | abc..... | 2      | 9170069580  | WASHER           |
| 0274 | abc..... | 1      | 9170053350  | BEARING BOLT     |
| 0275 | abc..... | 1      | 9170051990  | FUSE             |
| 0276 | abc..... | 1      | 9170050620  | BALL RACE        |
| 0420 | abc..... | 1      | 4931379041  | GEAR BOX         |
| 1200 | abc..... | 1      | 4931384421  | SERVICE-KIT      |
| 1201 | abc..... | 2      | 4931384420  | CARBON BRUSH SET |
| 1202 | abc..... | 1      | 9170051040  | O-RING           |
| 1203 | abc..... | 1      | 9170051110  | GASKET           |
| 1204 | abc..... | 1      | 9170051120  | GASKET           |
| 1205 | abc..... | 4      | 9170051320  | LOCKING WASHER   |

| Pos  | Index    | Quanti | Article No. | Designation       |
|------|----------|--------|-------------|-------------------|
| 1206 | abc..... | 4      | 9170051840  | WASHER            |
| 1207 | abc..... | 4      | 9170051940  | WASHER            |
| 1208 | abc..... | 1      | 9170051950  | RING              |
| 1209 | abc..... | 1      | 9170052320  | SWITCH SEAL       |
| 1210 | abc..... | 1      | 9170053600  | GASKET            |
| 1211 | abc..... | 2      | 9170072110  | PROTECTION WASHER |
| 1212 | abc..... | 2      | 9170072120  | PISTONRING        |
| 1213 | abc..... | 1      | 9170051810  | PARALLEL KEY      |

Repairs/modification and testing of electric power tools are to be carried out by specialists. The safety regulations according to DIN/VDE/CEE/AFNOR and other regulations valid in the different countries are to be observed.