

A & M Electric Tools

| Ind | Product No. | Type | Voltage | Country |
|-----|-------------|------|----------|---------|
| a | 4000375808 | 950K | 220-240V | IN2 |
| b | 4000375814 | 900K | 220-240V | IN2 |
| c | 4000375810 | 950K | 110V | GB1 |
| d | 4000375816 | 900K | 110V | GB1 |
| e | 4000375818 | 900K | 220-240V | AUS |
| f | 4000375812 | 950K | 220-240V | AUS |
| g | 4000405359 | 950K | 220-240V | I |
| h | 4000375814 | 900K | 220-240V | IN2 |

Rotary Hammers

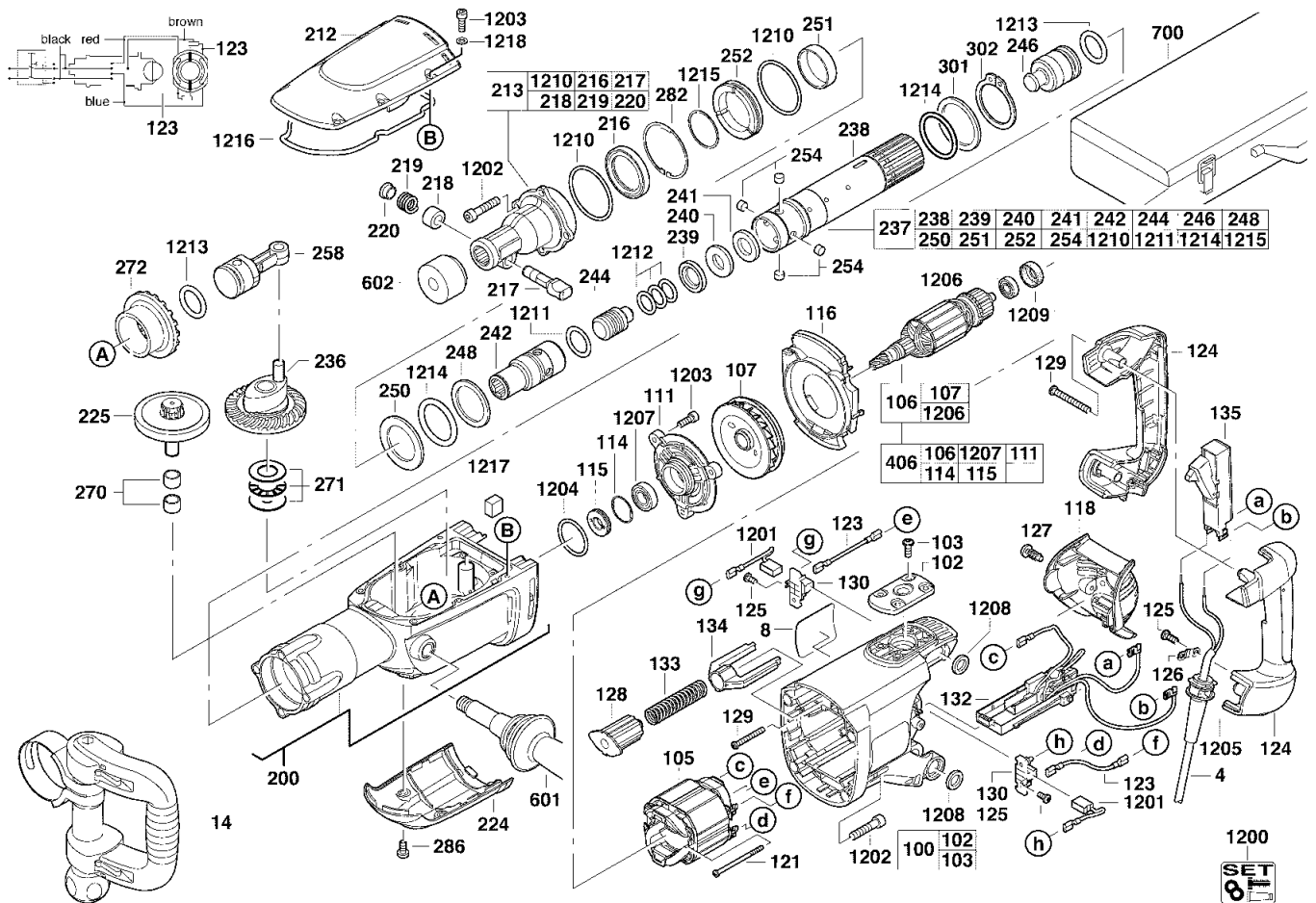
Milwaukee

950 K

900 K

Exp.view No. Version Date Page

4926 3758 24 0004 30.10.07 1/3



| Pos | Index | Quanti | Article No. | Designation |
|------|----------|--------|-------------|-------------------|
| 0004 | ab...gh | 1 | 4931624585 | CONNECTION CABLE |
| 0004 | ..cd | 1 | 4931624590 | CONNECTION CABLE |
| 0004 | ...ef | 1 | 4931624589 | CONNECTION CABLE |
| 0008 | a | 1 | 4931375809 | RATING PLATE |
| 0008 | .b...h | 1 | 4931375815 | RATING PLATE |
| 0008 | ..c | 1 | 4931375811 | RATING PLATE |
| 0008 | ...d | 1 | 4931375817 | RATING PLATE |
| 0008 | ...e | 1 | 4931405521 | RATING PLATE |
| 0008 | ...f | 1 | 4931405519 | RATING PLATE |
| 0008 | ...g | 1 | 4931405364 | RATING PLATE |
| 0014 | abcdefgh | 1 | 4931375519 | HANDLE |
| 0100 | a.c..fg | 1 | 4931375647 | MOTOR HOUSING |
| 0100 | .b.de.h | 1 | 4931375548 | MOTOR HOUSING |
| 0102 | abcdefgh | 1 | 4931375531 | SECURED WASHER |
| 0103 | abcdefgh | 4 | 4931624213 | SCREW |
| 0105 | ab..efgh | 1 | 4931375557 | ELECTRIC FIELD |
| 0105 | ..cd | 1 | 4931375669 | ELECTRIC FIELD |
| 0106 | ab..efgh | 1 | 4931375835 | ARMATURE |
| 0106 | ..cd | 1 | 4931375836 | ARMATURE |
| 0107 | abcdefgh | 1 | 4931375474 | FAN |
| 0111 | abcdefgh | 1 | 4931375488 | BEARING END PLATE |
| 0114 | abcdefgh | 1 | 4931890311 | LOCKING RING |

| Pos | Index | Quanti | Article No. | Designation |
|------|----------|--------|-------------|--------------------|
| 0115 | abcdefgh | 1 | 4931375489 | SEAL RING |
| 0116 | abcdefgh | 1 | 4931375515 | AIR DEFLECTOR RING |
| 0118 | abcdefgh | 1 | 4931375535 | SERVICING LID |
| 0121 | abcdefgh | 2 | 4931339996 | SCREW |
| 0123 | abcdefgh | 2 | 4931624263 | WIRE |
| 0124 | abcdefgh | 1 | 4931375560 | PAIR HANDLE SHELLS |
| 0125 | abcdefgh | 4 | 4931624538 | SCREW |
| 0126 | abcdefgh | 1 | 4931256500 | CABLE COLLAR |
| 0127 | abcdefgh | 2 | 4931624537 | SCREW |
| 0128 | abcdefgh | 1 | 4931375477 | THRUST PIECE |
| 0129 | abcdefgh | 5 | 4931622765 | SCREW |
| 0130 | abcdefgh | 2 | 4931329079 | BRUSH HOLDER |
| 0132 | ab..efgh | 1 | 4931375482 | ELECTRONIC |
| 0132 | ..cd | 1 | 4931375483 | ELECTRONIC |
| 0133 | abcdefgh | 1 | 4931375529 | PRESSURE SPRING |
| 0134 | abcdefgh | 1 | 4931375530 | TRANSITION PIECE |
| 0135 | abcdef.h | 1 | 4931375454 | SWITCH |
| 0135 | ...g | 1 | 4931375458 | SWITCH |
| 0200 | a.c..fg | 1 | 4931375625 | GEAR BOX |
| 0200 | .b.de.h | 1 | 4931375570 | GEAR BOX |
| 0212 | abcdefgh | 1 | 4931375563 | GEAR BOX COVER |
| 0213 | abcdefgh | 1 | 4931375510 | TOOL ACCEPTANCE |

Repairs/modification and testing of electric power tools are to be carried out by specialists. The safety regulations according to DIN/VDE/CEE/AFNOR and other regulations valid in the different countries are to be observed.

A & M Electric Tools

| Ind | Product No. | Type | Voltage | Country |
|-----|-------------|------|----------|---------|
| a | 4000375808 | 950K | 220-240V | IN2 |
| b | 4000375814 | 900K | 220-240V | IN2 |
| c | 4000375810 | 950K | 110V | GB1 |
| d | 4000375816 | 900K | 110V | GB1 |
| e | 4000375818 | 900K | 220-240V | AUS |
| f | 4000375812 | 950K | 220-240V | AUS |
| g | 4000405359 | 950K | 220-240V | I |
| h | 4000375814 | 900K | 220-240V | IN2 |

Rotary Hammers

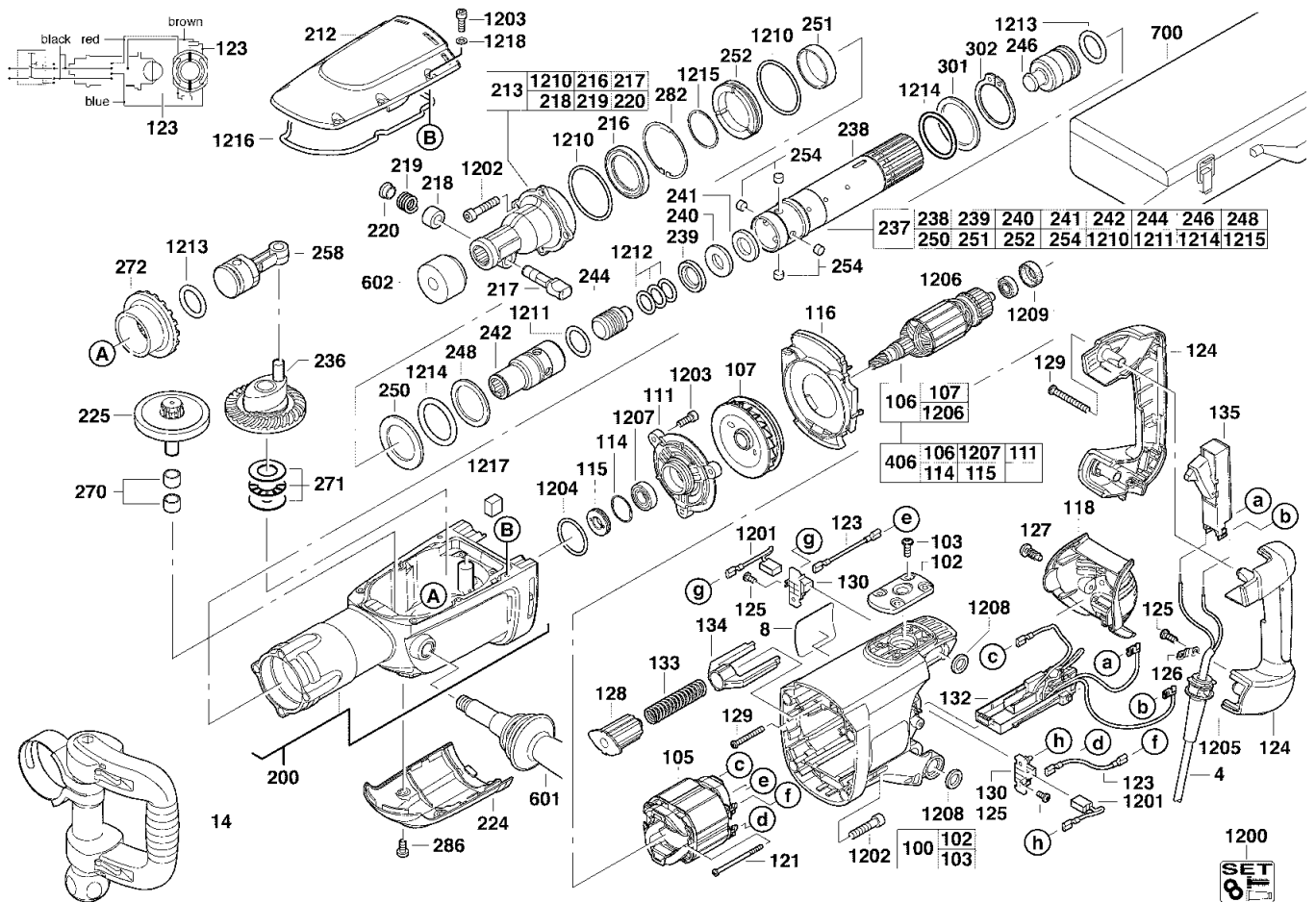
Milwaukee

950 K

900 K

Exp.view No. Version Date Page

4926 3758 24 0004 30.10.07 2/3



| Pos | Index | Quanti | Article No. | Designation | Pos | Index | Quanti | Article No. | Designation |
|------|---------------|--------|-------------|--------------------|------|---------------|--------|-------------|--------------------|
| 0216 | abcdefgh..... | 1 | 4931624205 | SEAL RING | 0254 | abcdefgh..... | 4 | 4931375787 | DRIVER |
| 0217 | abcdefgh..... | 1 | 4931384430 | LATCH BAR | 0258 | abcdefgh..... | 1 | 4931375380 | PISTON COMPL. |
| 0218 | abcdefgh..... | 1 | 4931379061 | SLEEVE | 0270 | a.c.fg..... | 2 | 4931621847 | NEEDLE BEARING |
| 0219 | abcdefgh..... | 1 | 9170032330 | SPRING | 0271 | abcdefgh..... | 1 | 4931375400 | THRUST BEARING |
| 0220 | abcdefgh..... | 1 | 4931379039 | LATCH | 0272 | a.c.fg..... | 1 | 4931375437 | SPINDLE BEVEL GEAR |
| 0224 | abcdefgh..... | 1 | 4931375574 | GEAR COVER | 0282 | abcdefgh..... | 1 | 4931624235 | RETAINING RING |
| 0225 | a.c.fg..... | 1 | 4931375838 | COUPLING | 0286 | abcdefgh..... | 2 | 4931624236 | SCREW |
| 0236 | abcdefgh..... | 1 | 4931375379 | CRANK WHEEL | 0301 | .b.de.h..... | 1 | 4931375509 | ATTACHMENT RING |
| 0237 | a.c.fg..... | 1 | 4931375803 | SPINDLE | 0302 | .b.de.h..... | 1 | 4931624203 | RETAINING RING |
| 0237 | .b.de.h..... | 1 | 4931375802 | SPINDLE | 0406 | ab.efgh..... | 1 | 4931375526 | ARMATURE |
| 0238 | abcdefgh..... | 1 | 4931375776 | SPINDLE SLEEVE | 0406 | .cd..... | 1 | 4931375568 | ARMATURE |
| 0239 | abcdefgh..... | 1 | 4931375411 | THRUST COLLAR | 0601 | abcdefgh..... | 1 | 4931375516 | HANDLE |
| 0240 | abcdefgh..... | 1 | 4931375412 | BACK-PRESSURE RING | 0602 | abcdefgh..... | 1 | 9170086960 | DUST GUARD CAP |
| 0241 | abcdefgh..... | 1 | 4931375777 | ATTACHMENT RING | 0700 | abcdefgh..... | 1 | 4931375502 | CARRYING CASE |
| 0242 | a.c.fg..... | 1 | 4931375425 | DRIVER | 0700 |h..... | 1 | 4931400760 | CARRYING CASE |
| 0242 | .b.de.h..... | 1 | 4931375433 | SLEEVE | 1200 | abcdefgh..... | 1 | 4931375659 | MAINTENANCE SET |
| 0244 | abcdefgh..... | 1 | 4931375448 | SNAP DIE | 1201 | abcdefgh..... | 1 | 4931375556 | CARBON BRUSH SET |
| 0246 | abcdefgh..... | 1 | 4931375782 | PERCUSSION BODY | 1202 | abcdefgh..... | 8 | 4931624234 | SCREW |
| 0248 | abcdefgh..... | 1 | 4931375416 | ATTACHMENT RING | 1203 | abcdefgh..... | 9 | 4931624276 | SCREW |
| 0250 | abcdefgh..... | 1 | 4931375418 | WASHER | 1204 | abcdefgh..... | 1 | 4931624237 | SEAL RING |
| 0251 | abcdefgh..... | 1 | 4931375419 | BALL RACE | 1205 | abcdefgh..... | 1 | 4931392174 | PROTECTING COVER |
| 0252 | abcdefgh..... | 1 | 4931375420 | THRUST COLLAR | 1206 | abcdefgh..... | 1 | 4931341741 | BALL BEARING |

Repairs/modification and testing of electric power tools are to be carried out by specialists. The safety regulations according to DIN/VDE/CEE/AFNOR and other regulations valid in the different countries are to be observed.

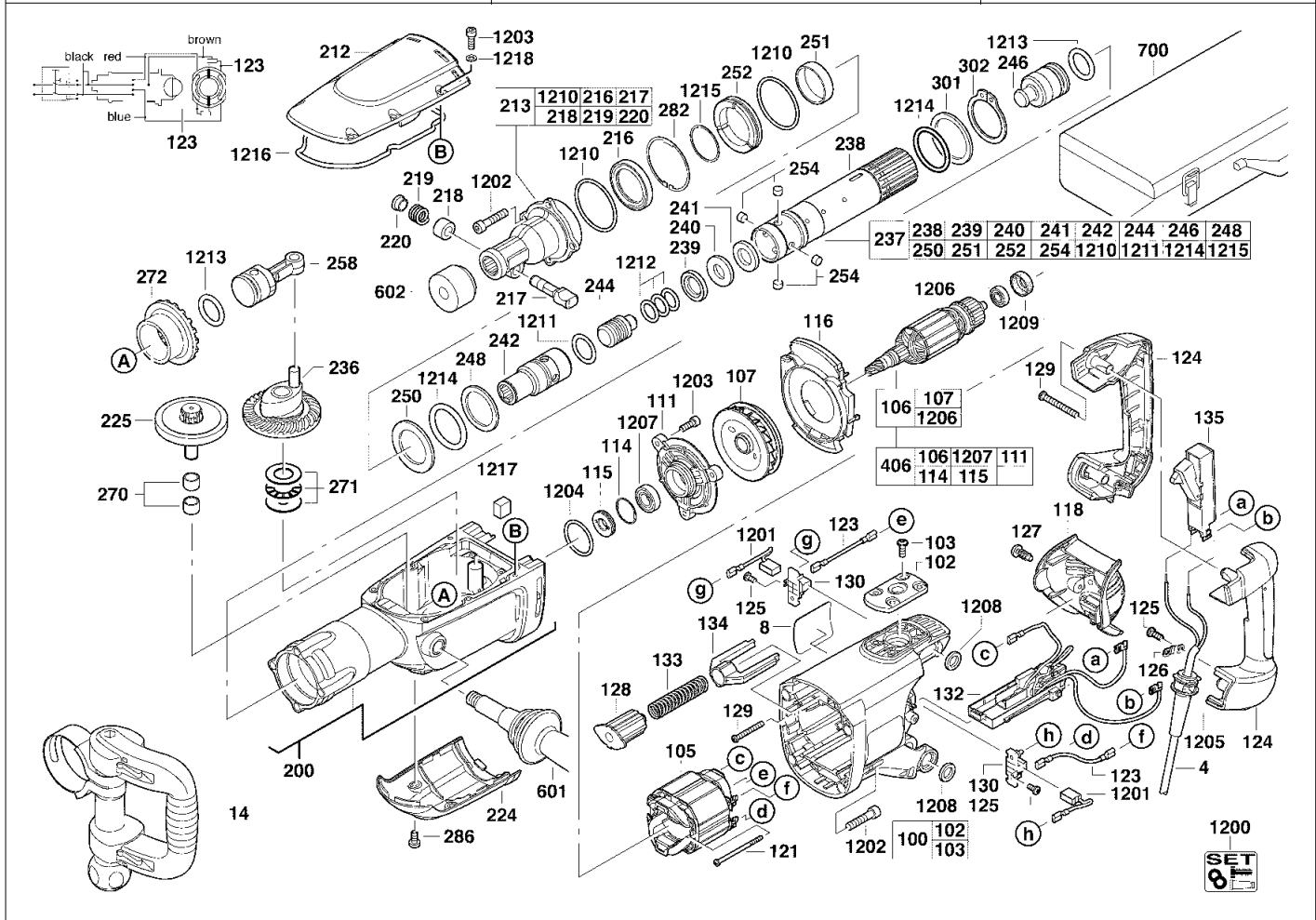
A & M Electric Tools

Rotary Hammers

| Ind | Product No. | Type | Voltage | Country |
|-----|-------------|------|----------|---------|
| a | 4000375808 | 950K | 220-240V | IN2 |
| b | 4000375814 | 900K | 220-240V | IN2 |
| c | 4000375810 | 950K | 110V | GB1 |
| d | 4000375816 | 900K | 110V | GB1 |
| e | 4000375818 | 900K | 220-240V | AUS |
| f | 4000375812 | 950K | 220-240V | AUS |
| g | 4000405359 | 950K | 220-240V | I |
| h | 4000375814 | 900K | 220-240V | IN2 |

| Ind | Product No. | Type | Voltage | Country |
|-----|-------------|------|---------|---------|
| | | | | |

| Milwaukee | | | | |
|--------------|---------|----------|------|--|
| 950 K | | | | |
| 900 K | | | | |
| Exp.view No. | Version | Date | Page | |
| 4926 3758 24 | 0004 | 30.10.07 | 3/3 | |



| Pos | Index | Quanti | Article No. | Designation |
|------|-----------|--------|-------------|--------------------|
| 1207 | abcde fgh | 1 | 4931398189 | GROOVED BALL BEAR. |
| 1208 | abcde fgh | 4 | 4931624170 | SEAL RING |
| 1209 | abcde fgh | 1 | 4931317212 | RUBBER SLEEVE |
| 1210 | abcde fgh | 2 | 4931624156 | SEAL RING |
| 1211 | abcde fgh | 1 | 4931624161 | SEAL RING |
| 1212 | abcde fgh | 3 | 4931624155 | SEAL RING |
| 1213 | abcde fgh | 2 | 4931624158 | SEAL RING |
| 1214 | abcde fgh | 2 | 4931624157 | SEAL RING |
| 1215 | abcde fgh | 1 | 4931624153 | SPRING RING |
| 1216 | abcde fgh | 1 | 4931375506 | GASKET |
| 1217 | abcde fgh | 1 | 4931375508 | FELT |
| 1218 | abcde fgh | 6 | 4931603515 | SEALING WASHER |

| Pos | Index | Quanti | Article No. | Designation |
|-----|-------|--------|-------------|-------------|
| | | | | |