

A & M Electric Tools

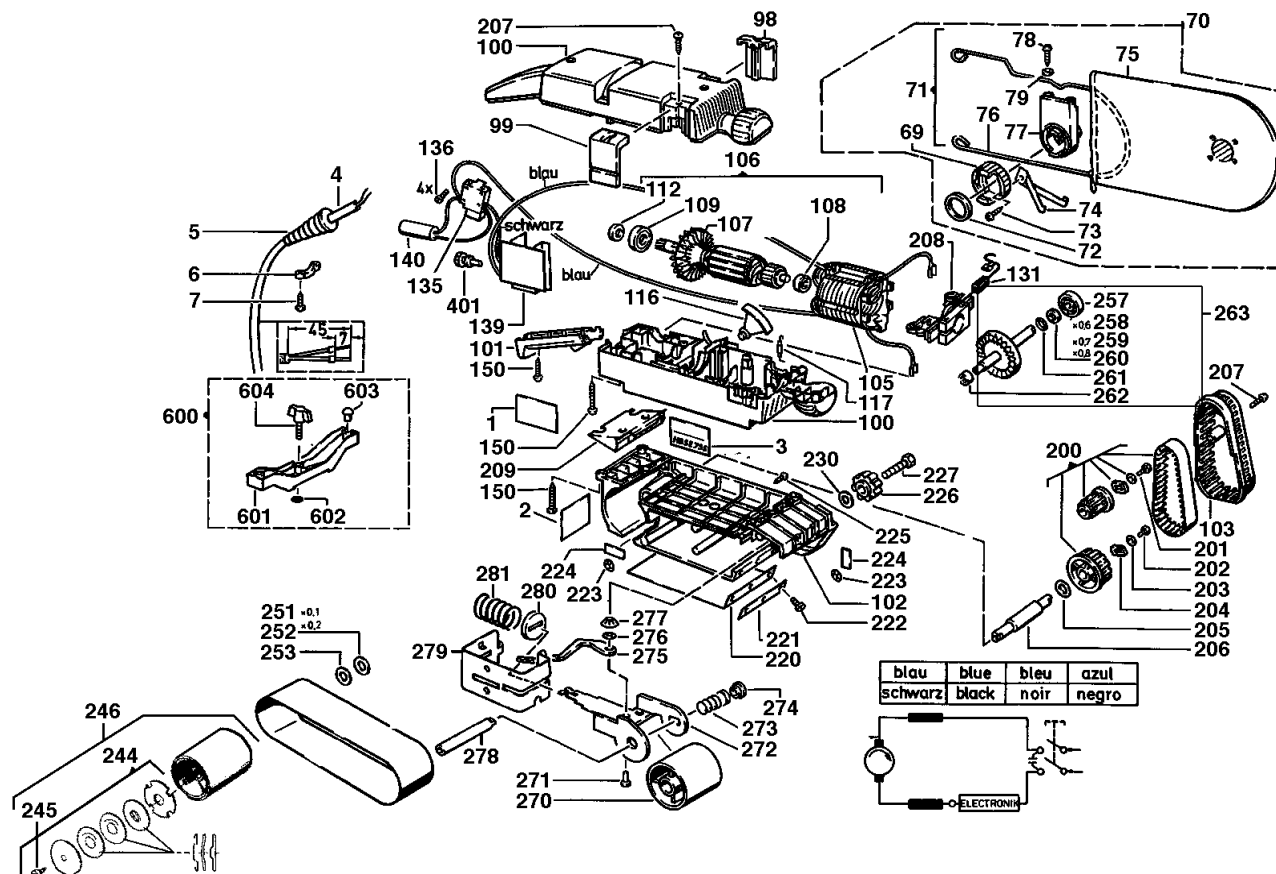
Belt Sanders

Milwaukee

HBSE75S

Exp.view No. Version Date Page
4926 3851 39 0002 26.02.04 1/2

Ind	Product No.	Type	Voltage	Country	Ind	Product No.	Type	Voltage	Country
a	4000385136	HBSE75S	230V	IN2					



Pos	Index	Quanti	Article No.	Designation	Pos	Index	Quanti	Article No.	Designation
0001	a.....	1	4931312512	SANDING TABLE	0102	a.....	1	4931312516	HOUSING
0002	a.....	1	4931385147	RATING PLATE	0103	a.....	1	4931312517	BELT GUARD
0003	a.....	1	4931382311	NAME PLATE	0105	a.....	1	4931341218	ELECTRIC FIELD
0004	a.....	1	4931250832	CONNECTION CABLE	0106	a.....	1	4931312503	ARMATURE
0005	a.....	1	4931312510	CABLE ENTRY SLEEVE	0107	a.....	1	4931312549	FAN
0006	a.....	1	4931312542	CABLE COLLAR	0108	a.....	1	4931312590	BALL BEARING
0007	a.....	2	4931622399	SCREW	0109	a.....	1	4931312591	BALL BEARING
0069	a.....	1	4932312485	DUST EXTR.CONNECT	0112	a.....	1	4931312548	CLAMPING RING
0070	a.....	1	4932312483	DUST BAG	0116	a.....	1	4931341224	AIR DEFLECTOR RING
0071	a.....	1	4931312524	THRUST PIECE	0117	a.....	1	4931312539	CHARGE ELIMINATOR
0072	a.....	1	4931312488	GASKET	0131	a.....	1	4931392555	CARBON BRUSH SET
0073	a.....	4	4931618253	SCREW	0135	a.....	1	4931385148	SWITCH
0074	a.....	1	4931312490	PLATE SPRING	0136	a.....	4	4931621772	SCREW
0075	a.....	1	4932312483	DUST BAG	0139	a.....	1	4931312513	ELECTRONIC ELEMENT
0076	a.....	1	4931312550	THRUST PIECE	0140	a.....	1	4931312505	INTERFERENCE SUPP
0077	a.....	1	4931312551	WIRE STRAP	0150	a.....	13	4931621515	SCREW
0078	a.....	2	4931618253	SCREW	0200	a.....	1	4931312518	FLAT TOOTHED BELT
0079	a.....	2	4931619534	DISC	0201	a.....	1	4931614281	SCREW
0098	a.....	1	4931385145	COVER	0202	a.....	1	4931622130	SCREW
0099	a.....	1	4931385146	COVER	0203	a.....	2	4931619534	DISC
0100	a.....	1	4931385142	MOTOR HOUSING	0204	a.....	2	4931312519	DRIVER
0101	a.....	1	4931385143	HANDLE COVER	0205	a.....	1	4931621874	DISC

Repairs/modification and testing of electric power tools are to be carried out by specialists. The safety regulations according to DIN/VDE/CEE/AFNOR and other regulations valid in the different countries are to be observed.

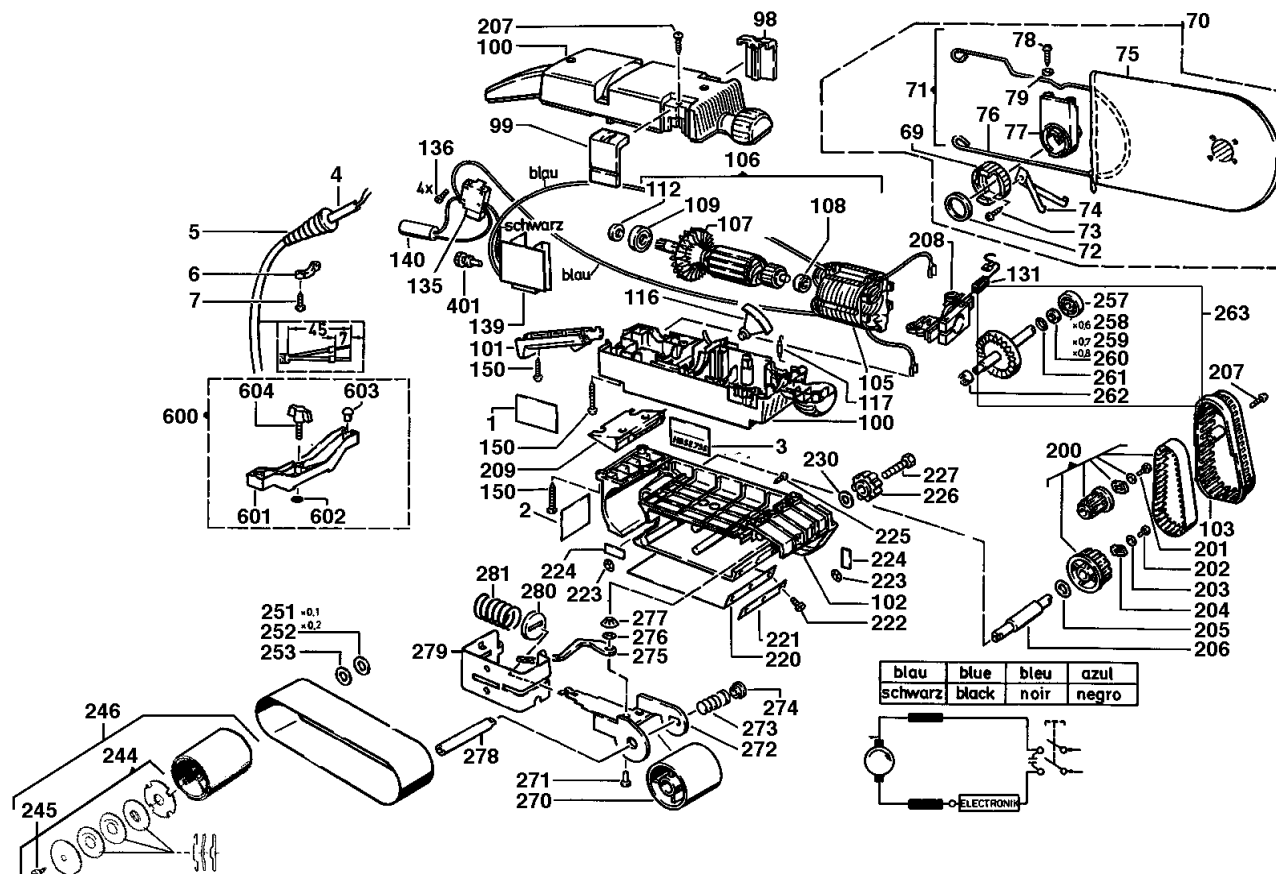
A & M Electric Tools

Belt Sanders

Ind Product No.	Type	Voltage	Country
a 4000385136	HBSE75S	230V	IN2

Ind Product No.	Type	Voltage	Country

Milwaukee			
HBSE75S			
Exp.view No.	Version	Date	Page
4926	3851	39 0002	26.02.04 2/2



Pos	Index	Quanti	Article No.	Designation	Pos	Index	Quanti	Article No.	Designation
0206	a.....	1	4931312521	DRIVING SHAFT	0260	a.....	1	4931621961	DISC
0207	a.....	7	4931618253	SCREW	0261	a.....	1	4931621824	DISC
0208	a.....	1	4931341217	PILLOW BLOCK	0262	a.....	1	4931219424	NEEDLE BEARING
0209	a.....	1	4931385249	DUST REFLECTOR	0263	a.....	1	4931312523	GEAR SHAFT
0220	a.....	1	4931312527	GRINDING BASE	0270	a.....	1	4931312530	GUIDE ROLLER
0221	a.....	1	4931312528	PRESSURE PAD	0271	a.....	1	4931622129	TUBULAR RIVET
0222	a.....	3	4931612491	SCREW	0272	a.....	1	4931312529	YOKE
0223	a.....	2	4931621589	SHAFT CLIP	0273	a.....	1	4931312535	SPRING
0224	a.....	2	4931312526	WASHER	0274	a.....	1	4931312536	SEALING WASHER
0225	a.....	2	4931618241	SCREW	0275	a.....	1	4931312533	LEVER
0226	a.....	1	4931318333	HANDLE	0276	a.....	1	4931621678	SPRING WASHER
0227	a.....	1	4931318299	SCREW	0277	a.....	1	4931622127	SHAFT CLIP
0230	a.....	1	4931318294	SEALING WASHER	0278	a.....	1	4931318329	GUIDE SHAFT
0244	a.....	1	4931361968	DRIVING ROLL	0279	a.....	1	4931312534	ANGLE
0245	a.....	1	4931622132	SCREW	0280	a.....	1	4931312532	SPRING PLATE
0246	a.....	1	4931361968	DRIVING ROLL	0281	a.....	1	4931312531	SPRING
0251	a.....	1	4931808511	SEALING WASHER	0401	a.....	1	4931339161	SET WHEEL
0252	a.....	1	4931808523	DISC	0600	a.....	2	4931312552	FOOT
0253	a.....	1	4931621983	DISC	0601	a.....	2	4931312553	FOOT
0257	a.....	1	4931926600	BALL BEARING	0602	a.....	2	4931941082	O-RING
0258	a.....	1	4931621959	DISC	0603	a.....	4	4931312554	PLUG
0259	a.....	1	4931621960	DISC	0604	a.....	2	4931312555	WINGED SCREW

Repairs/modification and testing of electric power tools are to be carried out by specialists. The safety regulations according to DIN/VDE/CEE/AFNOR and other regulations valid in the different countries are to be observed.