

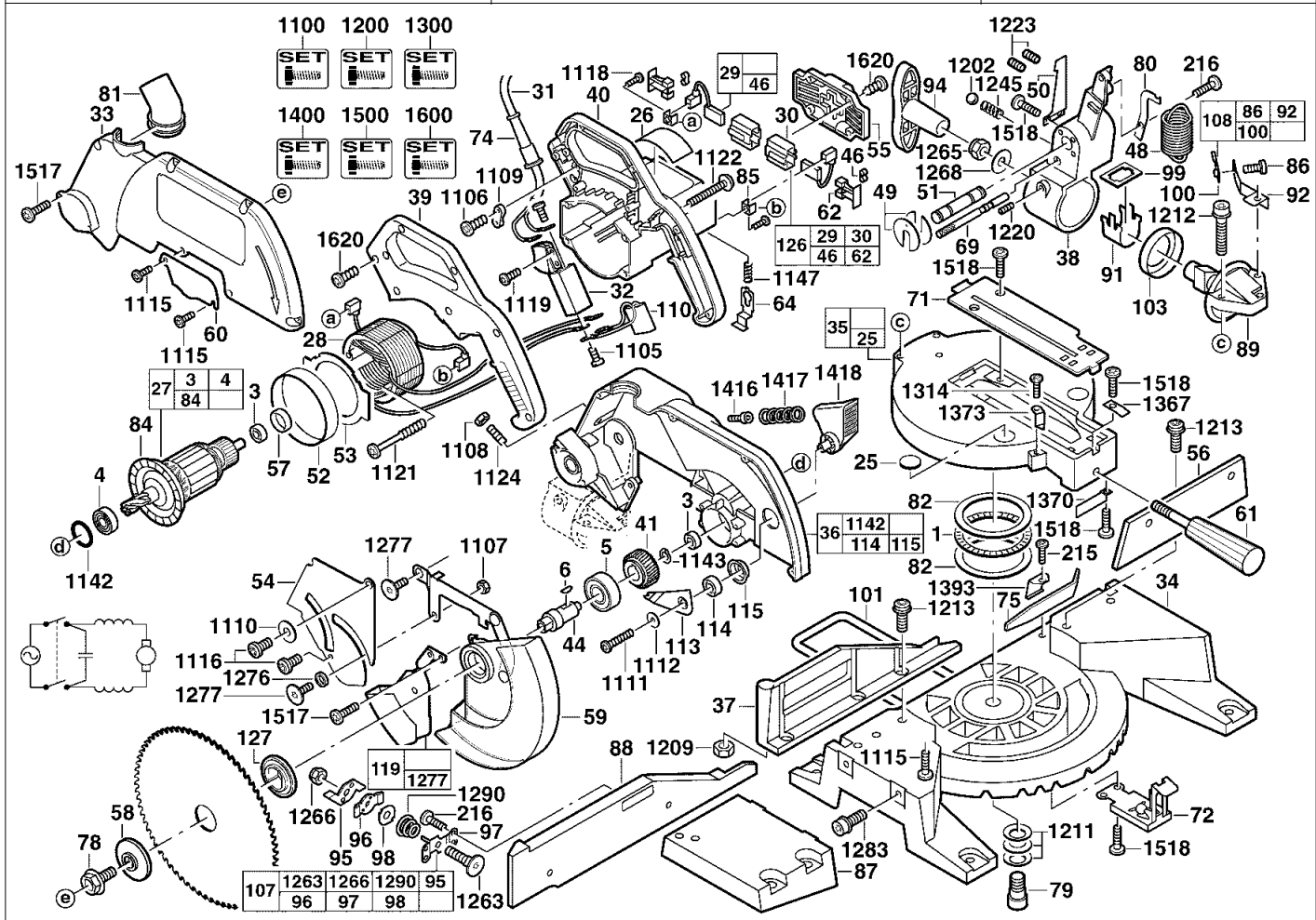
# A & M Electric Tools

# All-purpose Saws

Ind	Product No.	Type	Voltage	Country
a	4000385827	MS3C	220-240V	IN2
b	4000385827	MS3C	220-240V	AUS
c	4000385827	MS3C	220-240V	GB2
d	4000385827	MS3C	220-240V	CH2

Ind	Product No.	Type	Voltage	Country

Milwaukee		
MS3C		
Exp.view No.	Version	Date
4926 3858 28	0003	09.12.02 1/3



Pos	Index	Quanti	Article No.	Designation
0001	abcd	1	02800130	THRUST BEARING
0003	abcd	2	02040845	BALL BEARING
0004	abcd	1	02041229	BALL BEARING
0005	abcd	1	02042040	BALL
0006	abcd	1	06422400	KEY
0025	abcd	2	10159460	ELECTRIC FIELD
0026	abcd	1	12250941	NAME PLATE
0027	abcd	1	16740420	ARMATURE
0028	abcd	1	18740420	ELECTRIC FIELD
0029	abcd	2	22180397	CARBON BRUSH
0030	abcd	2	22200800	BRUSH HOLDER
0031	a	1	22644523	CABLE
0031	b	1	22640285	CABLE SET
0031	c	1	4931623824	CONNECTION CABLE
0031	d	1	4931623832	CONNECTION CABLE
0032	abcd	1	23661810	SWITCH
0033	abcd	1	25201320	COVER
0034	abcd	1	28061080	BASE PLATE
0035	abcd	1	28061045	TABLE
0036	abcd	1	28142214	COVER
0037	abcd	1	28350020	FENCE
0038	abcd	1	28900250	SUPPORT

Pos	Index	Quanti	Article No.	Designation
0039	abcd	1	31441725	HANDLE
0040	abcd	1	31501013	MOTOR HOUSING
0041	abcd	1	32753350	GEAR BOX
0044	abcd	1	38505840	SPINDLE
0046	abcd	2	40508160	PRESSURE SPRING
0048	abcd	1	40508180	PRESSURE SPRING
0049	abcd	2	40508190	PRESSURE SPRING
0050	abcd	1	40508700	PRESSURE SPRING
0051	abcd	1	42120160	SHAFT
0052	abcd	1	42140350	DIAPHRAGM
0053	abcd	1	42140355	DIAPHRAGM
0054	abcd	1	42500280	CAM
0055	abcd	1	42920890	COVER
0056	abcd	1	28350030	FENCE
0057	abcd	1	45880577	WASHER
0058	abcd	1	43340725	FLANGE
0059	abcd	1	43540705	GUARD
0060	abcd	1	43540700	GUARD
0061	abcd	1	43621050	HANDLE
0062	abcd	2	43720180	HOLDING DEVICE
0064	abcd	1	44100310	LEVER
0069	abcd	1	44601411	PIN

Repairs/modification and testing of electric power tools are to be carried out by specialists. The safety regulations according to DIN/VDE/CEE/AFNOR and other regulations valid in the different countries are to be observed.

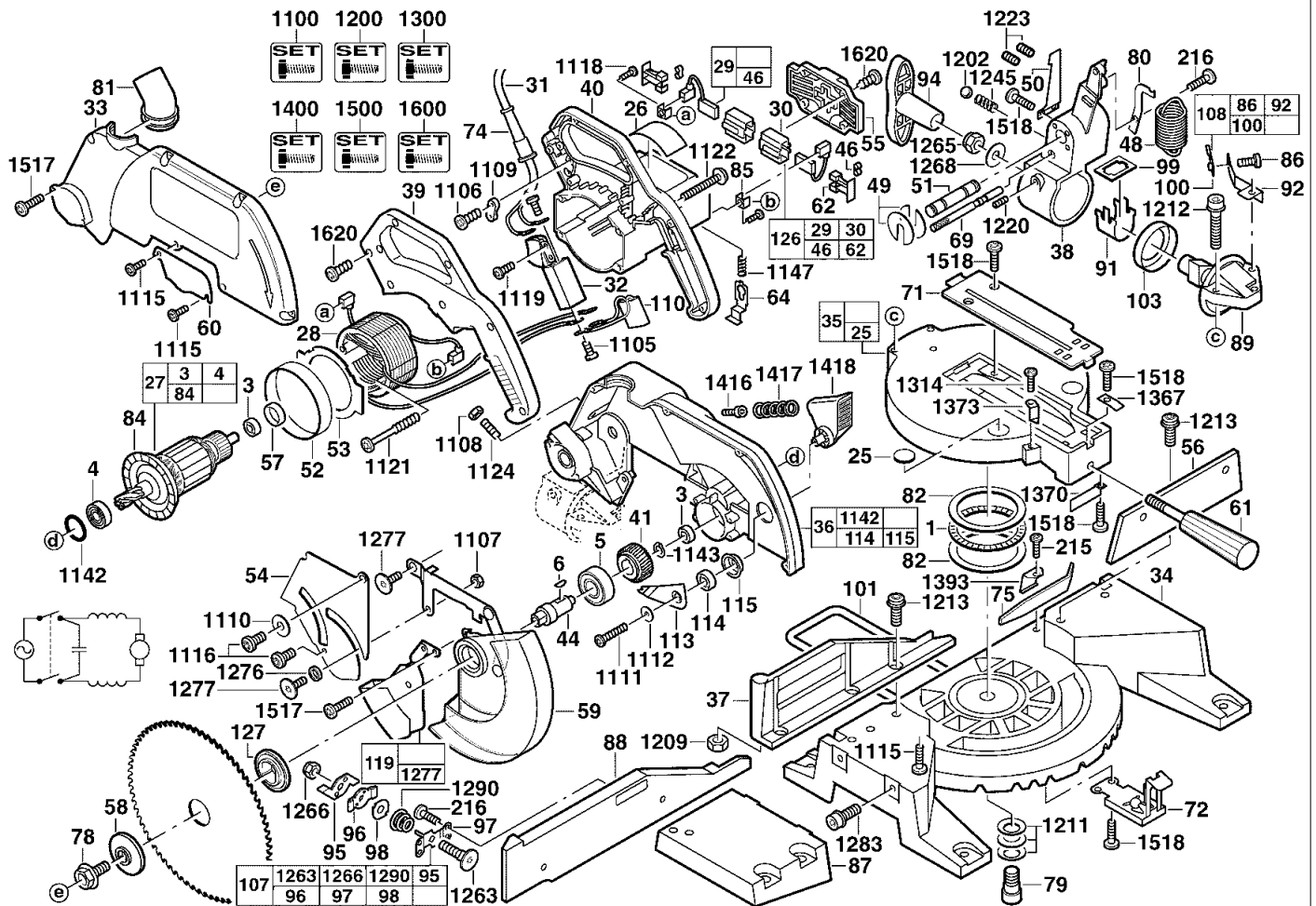
# A & M Electric Tools

Ind	Product No.	Type	Voltage	Country
a	4000385827	MS3C	220-240V	IN2
b	4000385827	MS3C	220-240V	AUS
c	4000385827	MS3C	220-240V	GB2
d	4000385827	MS3C	220-240V	CH2

# All-purpose Saws

Milwaukee  
**MS3C**

Exp.view No.      Version    Date      Page  
**4926 3858 28    0003 09.12.02 2/3**



Pos	Index	Quanti	Article No.	Designation	Pos	Index	Quanti	Article No.	Designation
0071	abcd	1	44666090	PLATE	0099	abcd	1	44666100	PLATE
0072	abcd	1	44665945	LEVER	0100	abcd	1	44720020	POINTER
0074	abcd	1	44760210	CABLE ENTRY SLEEVE	0101	abcd	1	44940350	GUIDE ROLLER
0075	abcd	1	49966205	WRENCH	0103	abcd	1	45888545	WASHER
0078	abcd	1	05760860	SCREW	0107	abcd	1	14462060	CLAMP
0079	abcd	1	45080330	SHAFT	0108	abcd	1	44720025	POINTER
0080	abcd	1	45600530	SUPPORT	0110	abcd	1	22330456	CAPACITOR
0081	abcd	1	45760331	TUBE	0113	abcd	1	44666075	PLATE
0082	abcd	2	45888540	WASHER	0114	abcd	1	02040910	BALL
0084	abcd	1	22840850	FAN	0115	abcd	1	42960135	COVER
0085	abcd	2	23741150	TERMINAL	0119	abcd	1	28411005	GUARD
0086	abcd	1	06828844	SCREW	0126	abcd	2	22200803	BRUSH HOLDER
0087	abcd	1	28061060	BASE PLATE	0127	abcd	1	43340726	FLANGE
0088	abcd	1	28350040	FENCE	0215	abcd	2	06825314	SCREW
0089	abcd	1	28900265	BEVEL GEAR	0216	abcd	3	06825338	SCREW
0091	abcd	1	40508630	PRESSURE SPRING	1100	abcd	1	14469100	BOLT SET
0092	abcd	1	42200690	BASE PLATE	1105	abcd	4	05890045	SCREW
0094	abcd	1	43621090	HANDLE	1106	abcd	2	05780571	SCREW
0095	abcd	1	44100330	LEVER	1107	abcd	1	06551525	NUT
0096	abcd	1	44666060	PLATE	1108	abcd	1	06551985	NUT
0097	abcd	1	44666070	PLATE	1109	abcd	1	31170190	CLAMPING PIECE
0098	abcd	1	44666080	PLATE	1110	abcd	1	45880660	WASHER

Repairs/modification and testing of electric power tools are to be carried out by specialists. The safety regulations according to DIN/VDE/CEE/AFNOR and other regulations valid in the different countries are to be observed.

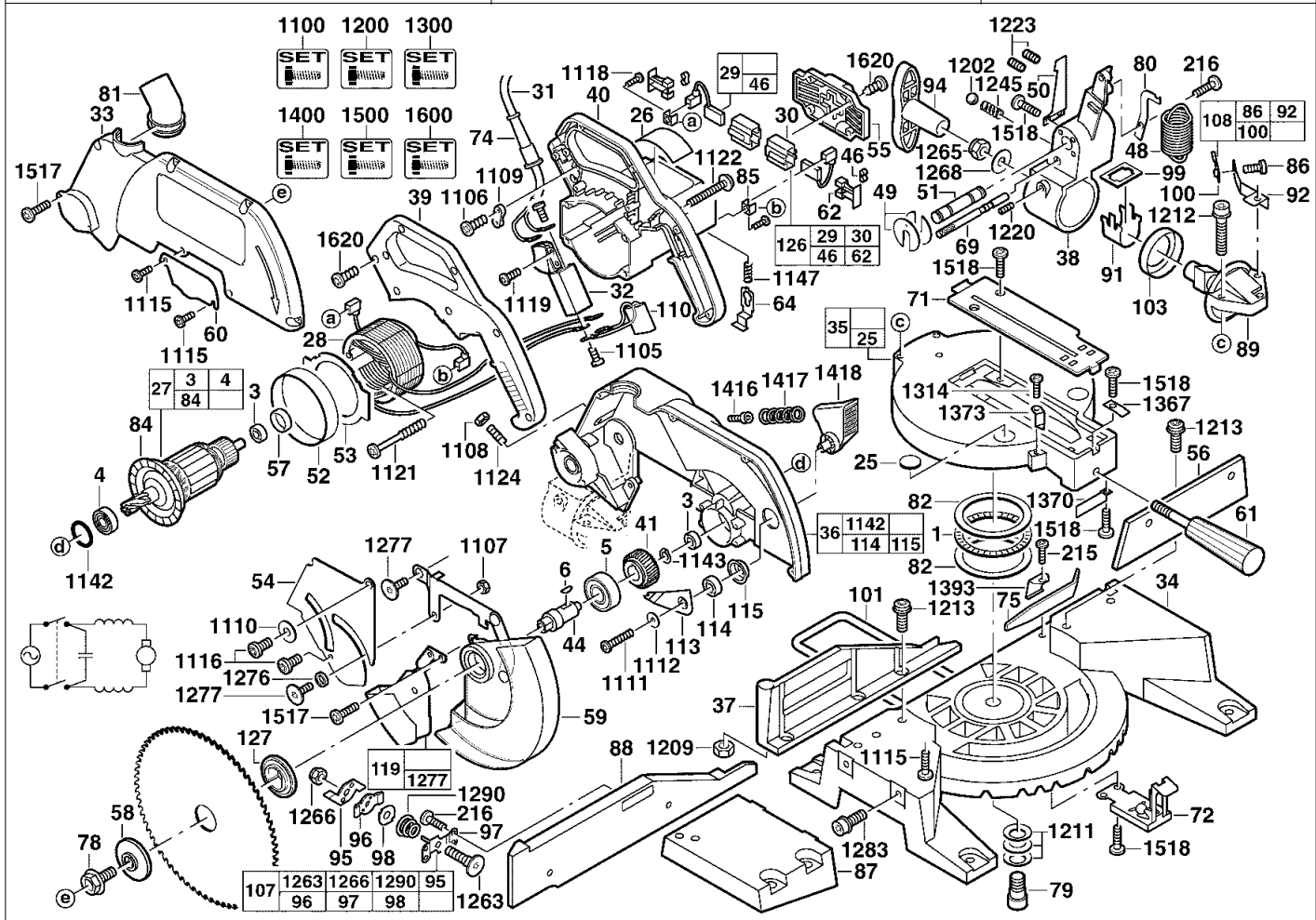
# A & M Electric Tools

# All-purpose Saws

Ind	Product No.	Type	Voltage	Country
a	4000385827	MS3C	220-240V	IN2
b	4000385827	MS3C	220-240V	AUS
c	4000385827	MS3C	220-240V	GB2
d	4000385827	MS3C	220-240V	CH2

Ind	Product No.	Type	Voltage	Country

Milwaukee		
MS3C		
Exp.view No.	Version	Date
4926 3858 28	0003	09.12.02
		3/3



Pos	Index	Quanti	Article No.	Designation	Pos	Index	Quanti	Article No.	Designation
1111	abcd	1	06827271	SCREW	1265	abcd	1	06574550	NUT
1112	abcd	1	45880603	WASHER	1266	abcd	1	06575045	NUT
1115	abcd	3	06825560	SCREW	1268	abcd	1	45881040	WASHER
1116	abcd	2	06825338	SCREW	1276	abcd	1	44960130	ROLLER
1118	abcd	2	06827212	SCREW	1277	abcd	2	45040850	SCREW
1119	abcd	1	06827226	SCREW	1283	abcd	2	06813172	SCREW
1121	abcd	2	06827453	SCREW	1290	abcd	1	40508610	PRESSURE SPRING
1122	abcd	4	06829024	SCREW	1300	abcd	1	14469125	BOLT SET
1124	abcd	1	06833100	SCREW	1314	abcd	1	06825270	SCREW
1142	abcd	1	34401375	O-RING	1367	abcd	1	44200260	LOCK
1143	abcd	1	34602560	O-RING	1370	abcd	1	44665920	PLATE
1147	abcd	1	40508170	PRESSURE SPRING	1373	abcd	1	44720010	POINTER
1200	abcd	1	14469120	BOLT SET	1393	abcd	1	42705141	CLIP
1202	abcd	1	02022040	BALL	1400	abcd	1	14469105	LOCK RELEASE KIT
1209	abcd	1	06552710	NUT	1416	abcd	1	42420470	BUTTON
1211	abcd	3	40508620	SPRING	1417	abcd	1	40508615	PRESSURE SPRING
1212	abcd	3	06813174	SCREW	1418	abcd	1	06752000	SCREW
1213	abcd	5	45040910	SCREW	1500	abcd	1	14469110	BOLT SET
1220	abcd	2	06833000	SCREW	1517	abcd	10	06825411	SCREW
1223	abcd	2	06833150	SCREW	1518	abcd	8	06825411	SCREW
1245	abcd	1	40508040	PRESSURE SPRING	1600	abcd	1	14469115	BOLT SET
1263	abcd	1	06101153	BEARING BOLT	1620	abcd	12	06827270	SCREW

Repairs/modification and testing of electric power tools are to be carried out by specialists. The safety regulations according to DIN/VDE/CEE/AFNOR and other regulations valid in the different countries are to be observed.