

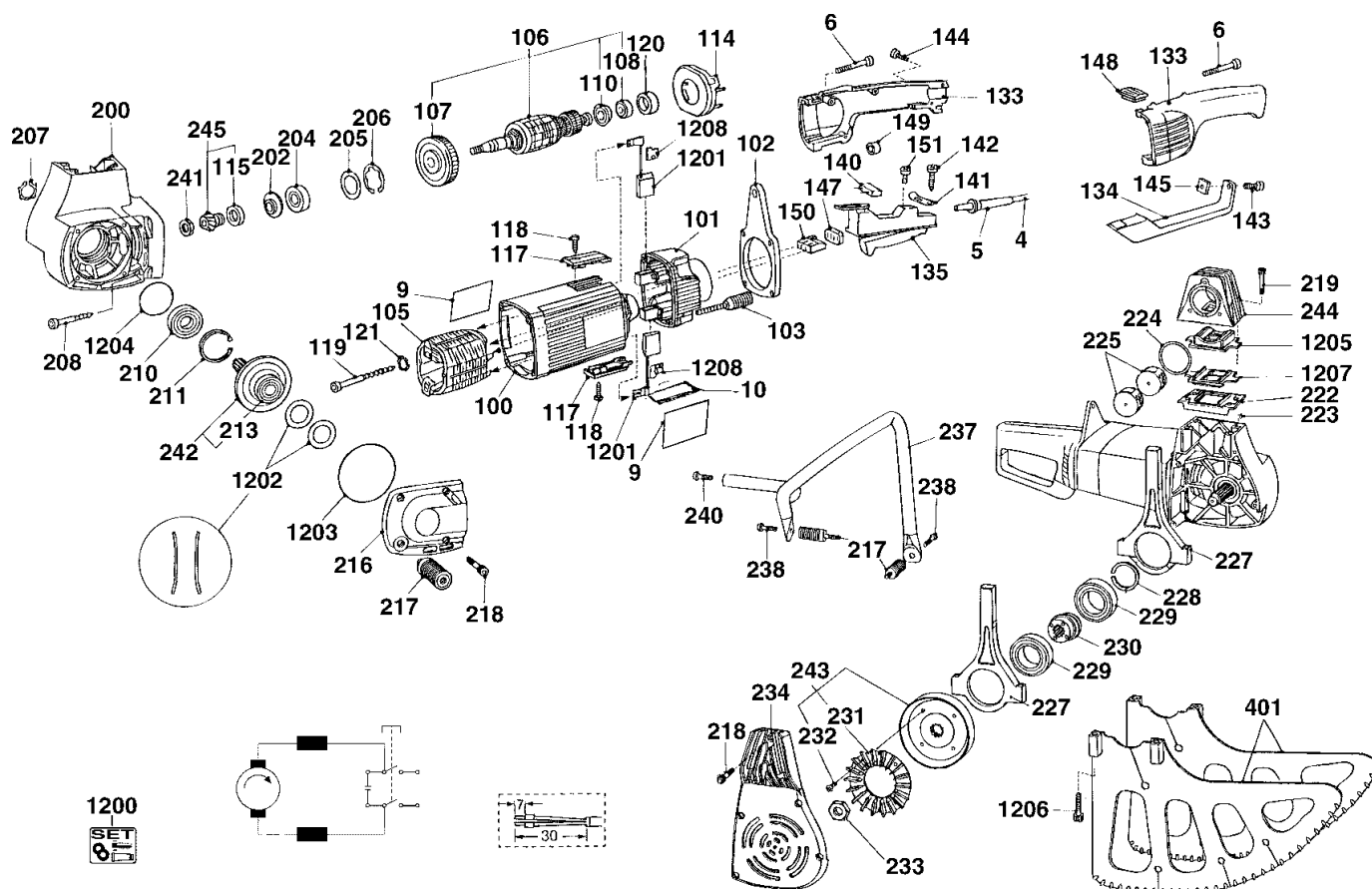
A & M Electric Tools

Ind	Product No.	Type	Voltage	Country
a	4000392212	KS26 SAW SEA	230V	IN2
b	4000392292	KS26 SAW	110V	GB1

All-purpose Saws

Milwaukee
KS 26

Exp.view No. Version Date Page
4926 3922 14 0003 20.05.05 1/2



Pos	Index	Quanti	Article No.	Designation	Pos	Index	Quanti	Article No.	Designation
0004	a.....	1	4931622899	CONNECTION CABLE	0119	ab.....	2	4931259535	SCREW
0004	b.....	1	4931624290	CONNECTION CABLE	0120	ab.....	1	4931322656	RUBBER SLEEVE
0005	ab.....	1	4931217557	CABLE ENTRY SLEEVE	0121	ab.....	2	4931619992	SPRING WASHER
0006	ab.....	4	9170705010	SCREW	0133	ab.....	1	4931362785	HANDLE
0009	ab.....	2	4931378792	TYPE PLATE	0134	ab.....	1	4931383035	YOKE
0010	a.....	1	4931392219	RATING PLATE	0135	ab.....	1	9170317750	SWITCH
0010	b.....	1	4931392298	RATING PLATE	0140	ab.....	1	4931329272	CAPACITOR
0100	ab.....	1	4931362783	MOTOR HOUSING	0141	a.....	1	4931329273	CABLE COLLAR
0101	ab.....	1	4931392218	BRUSH HOLDER COMP	0141	b.....	1	4931334597	CABLE COLLAR
0102	ab.....	1	9170317220	PLATE	0142	ab.....	1	4931013472	SCREW
0103	ab.....	4	9170317210	SPRING	0143	ab.....	1	4931622933	SCREW
0105	a.....	1	4931313392	ELECTRIC FIELD	0144	ab.....	5	4931624515	SCREW
0105	b.....	1	4931326544	ELECTRIC FIELD	0145	ab.....	1	4931300231	CLAMPING PIECE
0106	a.....	1	4931334396	ARMATURE	0147	ab.....	1	4931329503	SEAL RING
0106	b.....	1	4931334849	ARMATURE	0148	ab.....	1	4931329122	SUPPORT
0107	ab.....	1	4931334394	FAN	0149	ab.....	1	4931341889	SPRING
0108	ab.....	1	4931805312	BALL BEARING	0150	ab.....	1	9170317780	CABLE
0110	ab.....	1	4931259633	SEAL RING	0151	ab.....	2	4931940611	SCREW
0114	ab.....	1	4931326156	AIR DEFLECTOR RING	0200	ab.....	1	9170316840	GEAR BOX
0115	ab.....	1	4931329118	GREASE RETAIN.DISC	0202	ab.....	1	4931621629	DISC
0117	ab.....	2	4931383888	COVER	0204	ab.....	1	4931624305	BALL BEARING
0118	ab.....	2	4931621528	SCREW	0205	ab.....	1	4931622897	DISC

Repairs/modification and testing of electric power tools are to be carried out by specialists. The safety regulations according to DIN/VDE/CEE/AFNOR and other regulations valid in the different countries are to be observed.

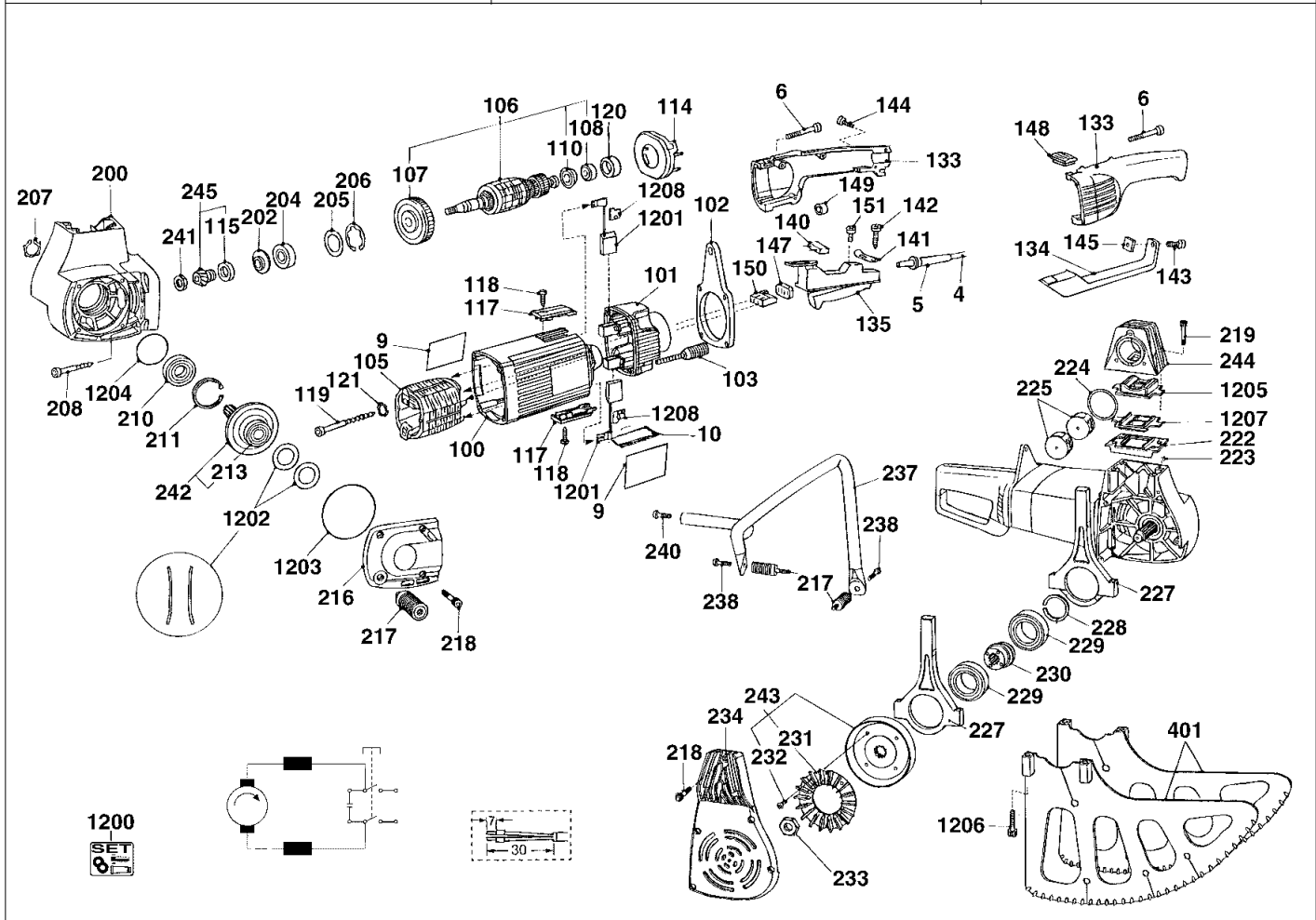
A & M Electric Tools

All-purpose Saws

Ind	Product No.	Type	Voltage	Country
a	4000392212	KS26 SAW SEA	230V	IN2
b	4000392292	KS26 SAW	110V	GB1

Ind	Product No.	Type	Voltage	Country

Milwaukee			
KS 26			
Exp.view No.	Version	Date	Page
4926 3922 14	0003	20.05.05	2/2



Pos	Index	Quanti	Article No.	Designation
0206	ab.....	1	4931334400	LOCKING RING
0207	ab.....	1	9170317050	SPRING RING
0208	ab.....	4	4931624504	SCREW
0210	ab.....	1	9170316980	SPINDLE BEARING
0211	ab.....	1	9170317040	CIRCLIP
0213	ab.....	1	9170316990	BEARING
0216	ab.....	1	9170316850	PLATE
0217	ab.....	2	9170317200	PRESSURE SPRING
0218	ab.....	10	9170705004	SCREW
0219	ab.....	4	4931624072	SCREW
0222	ab.....	1	9170317170	COVER
0223	ab.....	2	9170302060	PIN
0224	ab.....	1	9170317020	O-RING
0225	ab.....	2	9170317150	SLIDE BEARING
0227	ab.....	2	9170317080	CONNECTING ROD
0228	ab.....	1	9170324170	SPRING RING
0229	ab.....	2	9170317140	SHAFT BEARING
0230	ab.....	1	9170317070	SHAFT
0231	ab.....	1	9170324150	FAN
0232	ab.....	4	9170317490	SCREW
0233	ab.....	1	9170316950	NUT
0234	ab.....	1	9170316870	PLATE

Pos	Index	Quanti	Article No.	Designation
0237	ab.....	1	9170317060	HANDLE
0238	ab.....	2	9170707003	SCREW
0240	ab.....	1	9170316970	SCREW
0241	ab.....	1	4931329494	NUT
0242	ab.....	1	9170317030	SPINDLE
0243	ab.....	1	9170317480	FAN
0244	ab.....	1	9170317120	HOUSING
0245	ab.....	1	4931345705	PINION
0401	ab.....	1	4932392290	PLATE
1200	ab.....	1	9170317110	SERVICE KIT
1201	ab.....	1	4931378050	CARBON BRUSH SET
1202	ab.....	2	9170291060	CUP SPRING
1203	ab.....	1	9170317010	O-RING
1204	ab.....	2	9170317020	O-RING
1205	ab.....	1	9170317180	SEAL
1206	ab.....	4	9170317440	SCREW
1207	ab.....	1	9170317450	DUST SEAL
1208	ab.....	2	9170317580	SPRING

Repairs/modification and testing of electric power tools are to be carried out by specialists. The safety regulations according to DIN/VDE/CEE/AFNOR and other regulations valid in the different countries are to be observed.