

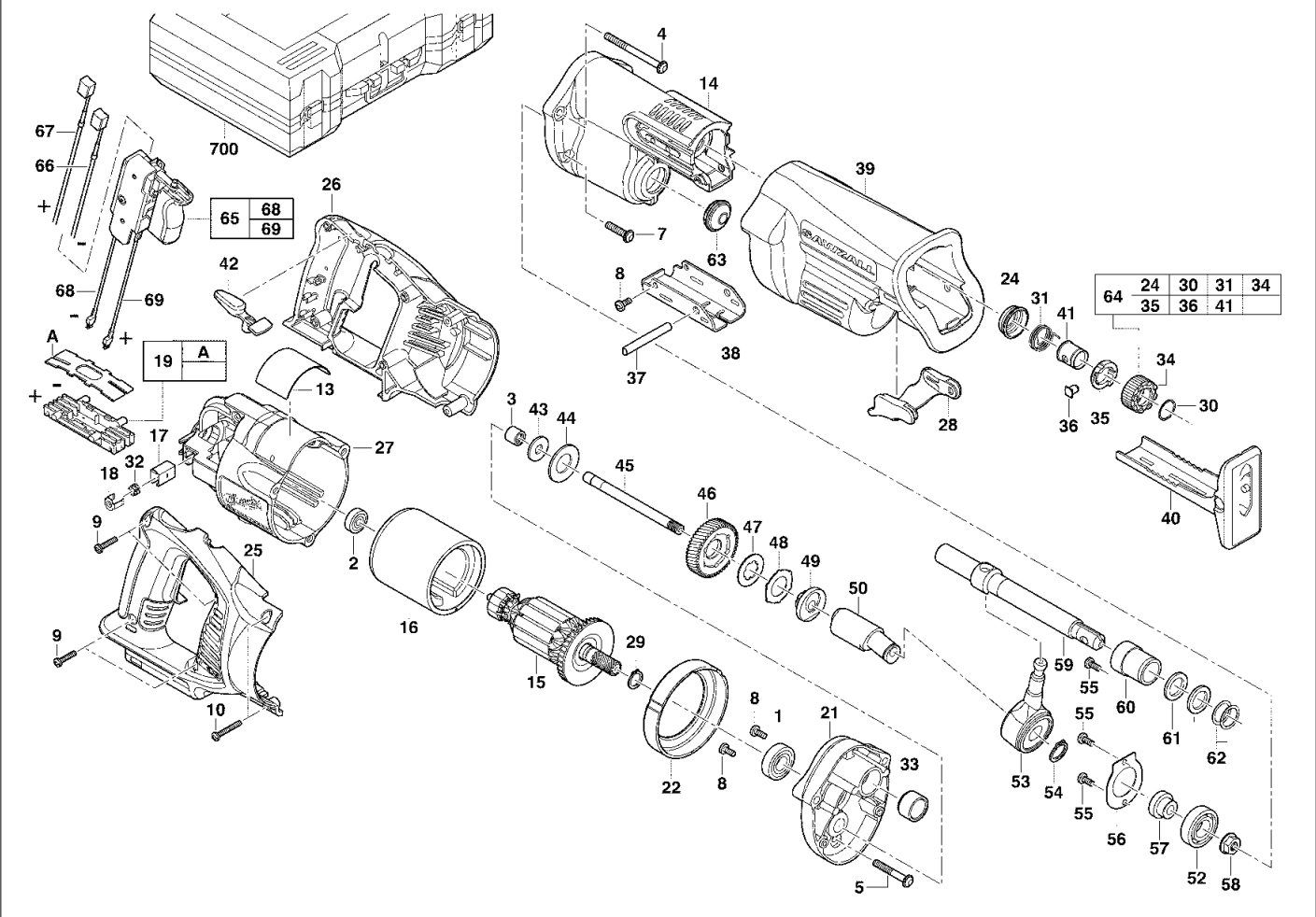
A & M Electric Tools

Battery Tools

Ind Product No.	Type	Voltage	Country
a 4000393709	V28SX	28V	***

Ind Product No.	Type	Voltage	Country

Milwaukee			
V 28 SX			
Exp.view No.	Version	Date	Page
4926 3937 10	0003	06.09.06	1/2



Pos	Index	Quanti	Article No.	Designation	Pos	Index	Quanti	Article No.	Designation
0001	a.....	1	02040719	BALL BEARING	0028	a.....	1	31520090	SHOE REL.LEVER KIT
0002	a.....	1	02045130	BALL BEARING	0029	a.....	1	34600920	RING
0003	a.....	1	02502150	NEEDLE BEARING	0030	a.....	1	34603680	RING
0004	a.....	2	05880302	SCREW	0031	a.....	1	40500161	SPRING
0005	a.....	1	05888309	SCREW	0032	a.....	2	40508840	PRESSURE SPRING
0007	a.....	2	06825363	SCREW	0033	a.....	1	42240620	BEARING
0008	a.....	3	06827253	SCREW	0034	a.....	1	42500076	CLAMPING RING
0009	a.....	4	06827261	SCREW	0035	a.....	1	42500077	CLAMPING RING
0010	a.....	2	06827276	SCREW	0036	a.....	1	44600626	PIN
0013	a.....	1	12200718	NAME PLATE	0037	a.....	1	44601635	PIN
0014	a.....	1	28140999	GEAR BOX	0038	a.....	1	44660880	HOLDER
0015	a.....	1	16012121	ARMATURE	0039	a.....	1	45120999	GEAR BOX INSULATIO
0016	a.....	1	18012120	ELECTRIC FIELD	0040	a.....	1	45160645	DISTANCE HOLDER
0017	a.....	2	22200860	BRUSH HOLDER	0041	a.....	1	45220081	CLAMPING RING
0018	a.....	2	22320400	BRUSH HOLDER	0042	a.....	1	45240719	LEVER
0019	a.....	1	22560975	CONNECTOR	0043	a.....	1	45881555	WASHER
0021	a.....	1	28280719	DIAPHRAGM	0044	a.....	1	40508850	PRESSURE SPRING
0022	a.....	1	31050719	AIR DEFLECTOR RING	0045	a.....	1	42120155	AXLE WOBBLE
0024	a.....	1	31150511	CLAMPING RING	0046	a.....	1	32400719	GEAR
0025	a.....	1	31440718	HANDLE RIGHT	0047	a.....	1	43060685	DISC
0026	a.....	1	31440719	HANDLE LEFT	0048	a.....	1	43060676	PLATE
0027	a.....	1	31500019	MOTOR HOUSING	0049	a.....	1	43780525	HUB

Repairs/modification and testing of electric power tools are to be carried out by specialists. The safety regulations according to DIN/VDE/CEE/AFNOR and other regulations valid in the different countries are to be observed.

