

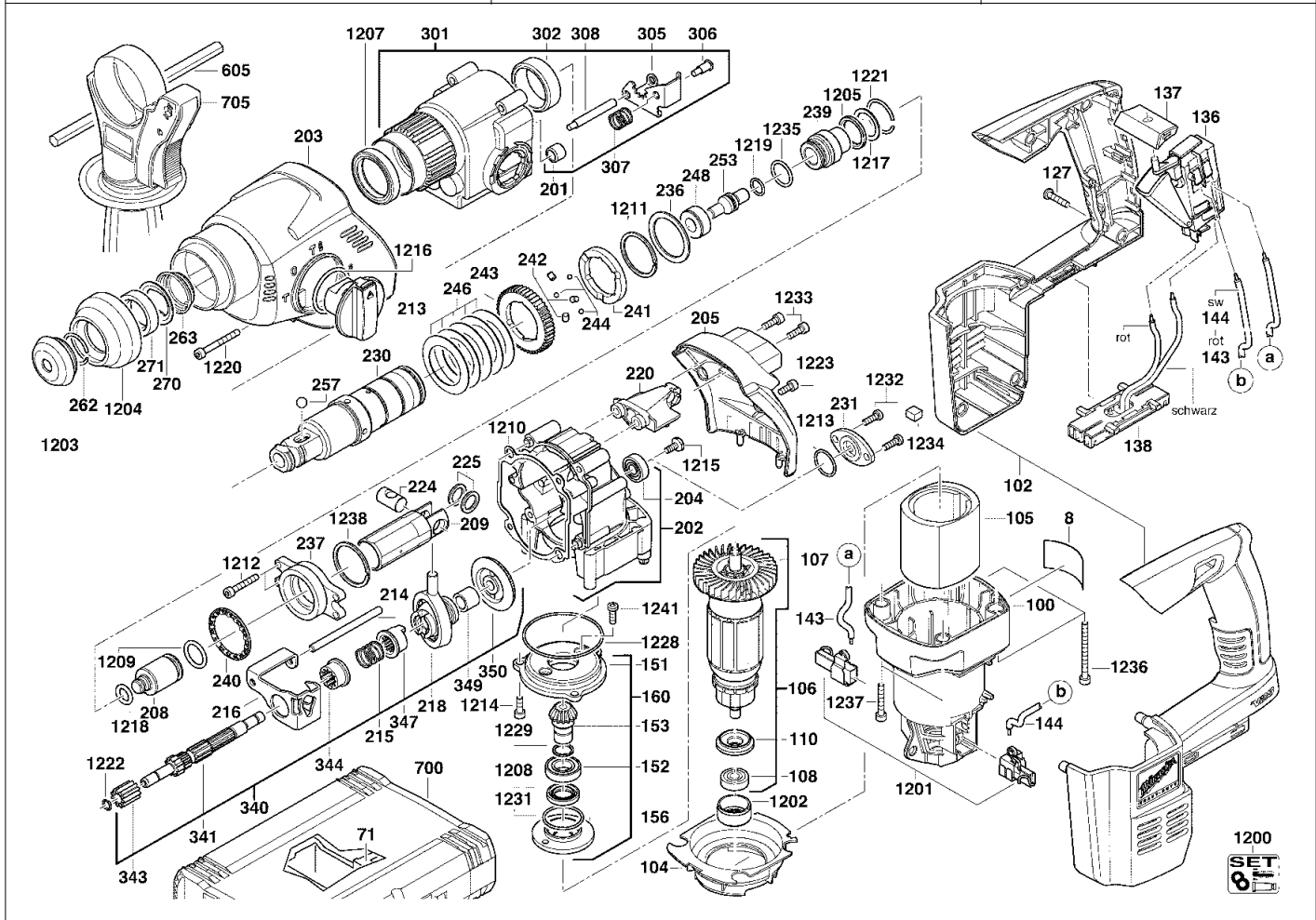
A & M Electric Tools

Battery Tools

Ind Product No.	Type	Voltage	Country
a 4000405957	V28H	28V	***

Ind Product No.	Type	Voltage	Country

Milwaukee			
V 28 H			
Exp.view No.	Version	Date	Page
4926 4059 58	0001	11.03.08	2/3



Pos	Index	Quanti	Article No.	Designation
0243	a.....	1	4931392489	SPINDLE GEAR
0244	a.....	3	4931944281	BALL
0246	a.....	5	4931365066	CUP SPRING
0248	a.....	1	4931392465	STOP WASHER
0253	a.....	1	4931384606	SNAP DIE
0257	a.....	1	4931911572	BALL
0262	a.....	1	4931623220	SPRING RING
0263	a.....	1	4931343128	PRESSURE SPRING
0270	a.....	1	4931343127	SUPPORT PLATE
0271	a.....	1	4931384635	HOLDING RING
0301	a.....	1	4931392741	GEAR BOX
0302	a.....	1	4931621944	NEEDLE BEARING
0305	a.....	1	4931384618	LOCKING PLATE
0306	a.....	1	4931384619	GUIDE BOLT
0307	a.....	1	4931384631	PRESSURE SPRING
0308	a.....	1	4931384690	GUIDE BOLT
0340	a.....	1	4931392410	REDUCTION GEAR
0341	a.....	1	4931384610	REDUCT. GEAR SHAFT
0343	a.....	1	4931384611	GEAR
0344	a.....	1	4931375874	INTERN.GEARED WHE
0347	a.....	1	4931384691	COUPLING SLEEVE
0349	a.....	1	4931384613	DISTANCE SLEEVE

Pos	Index	Quanti	Article No.	Designation
0350	a.....	1	4931392411	BEVEL GEAR
0605	a.....	1	4931384434	DEPTH GAUGE
0700	a.....	1	4932383162	CARRYING CASE
0705	a.....	1	4931392747	HANDLE
1200	a.....	1	4931400878	MAINTENANCE SET
1201	a.....	1	4931392429	CARBON BRUSH SET
1202	a.....	1	4931351729	RUBBER SLEEVE
1203	a.....	1	4931384687	RUBBER CAP
1204	a.....	1	4931384634	SLEEVE
1205	a.....	1	4931624391	SEAL RING
1207	a.....	1	4931624430	SEAL RING
1208	a.....	1	4931624429	SEAL RING
1209	a.....	1	4931624533	SEAL RING
1210	a.....	1	4931375894	SEAL
1211	a.....	1	4931945764	SPRING RING
1212	a.....	4	4931624425	SCREW
1213	a.....	1	4931623912	SEAL RING
1214	a.....	3	4931624581	SCREW
1215	a.....	1	4931375897	SCREW
1216	a.....	1	4931624353	SEAL RING
1217	a.....	1	4931392464	THRUST COLLAR
1218	a.....	1	4931387380	O-RING

Repairs/modification and testing of electric power tools are to be carried out by specialists. The safety regulations according to DIN/VDE/CEE/AFNOR and other regulations valid in the different countries are to be observed.

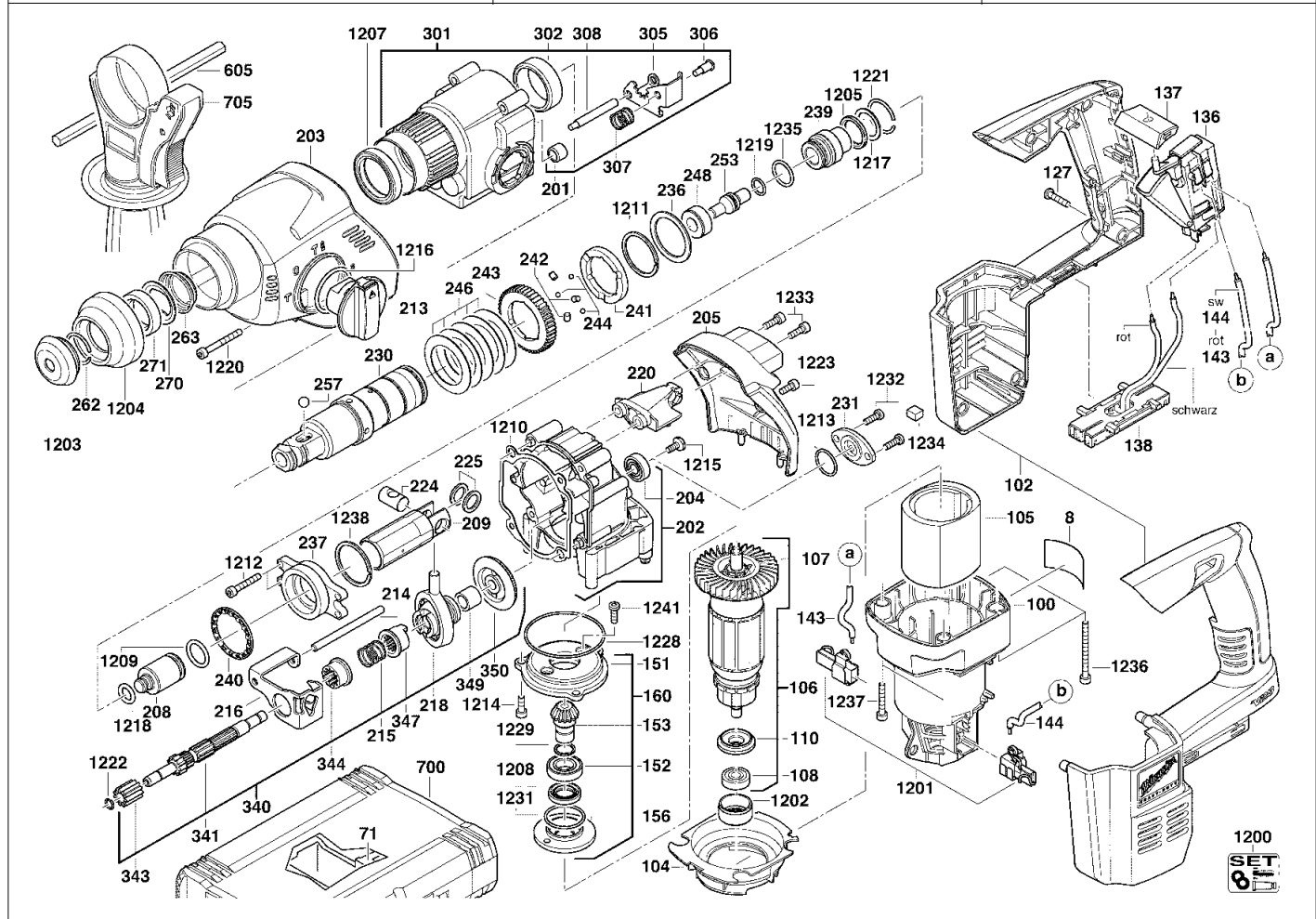
A & M Electric Tools

Battery Tools

Ind Product No.	Type	Voltage	Country
a 4000405957	V28H	28V	***

Ind Product No.	Type	Voltage	Country

Milwaukee			
V 28 H			
Exp.view No.	Version	Date	Page
4926 4059 58	0001	11.03.08	3/3



Pos	Index	Quanti	Article No.	Designation
1219	a.....	1	4931624493	SEAL RING
1220	a.....	4	4931624583	SCREW
1221	a.....	1	4931623860	SPRING RING
1222	a.....	1	4931624260	SPRING RING
1223	a.....	2	4931624581	SCREW
1228	a.....	1	4931623198	O-RING
1229	a.....	1	4931622084	SPRING RING
1231	a.....	1	4931624351	SEAL RING
1232	a.....	2	4931621743	SCREW
1233	a.....	2	4931622315	SCREW
1234	a.....	1	4931375508	FELT
1235	a.....	1	4931624381	O-RING
1236	a.....	2	4931624584	SCREW
1237	a.....	2	4931624582	SCREW
1238	a.....	1	4931624383	SPRING RING
1241	a.....	2	4931267225	SCREW

Pos	Index	Quanti	Article No.	Designation
1200				BATTERY PACK
100				HOUSING
102				COVER
104				BASE
106				SCREW
107				SCREW
108				SCREW
110				SCREW
1201				TOOL BODY
1202				SCREW
1203				SCREW
1204				SCREW
1205				SCREW
1206				SCREW
1207				SCREW
1208				SCREW
1209				SCREW
1210				SCREW
1211				SCREW
1212				SCREW
1213				SCREW
1214				SCREW
1215				SCREW
1216				SCREW
1217				SCREW
1218				SCREW
1219				SCREW
1220				SCREW
1221				SCREW
1222				SCREW
1223				SCREW
1224				SCREW
1225				SCREW
1226				SCREW
1227				SCREW
1228				SCREW
1229				SCREW
1230				SCREW
1231				SCREW
1232				SCREW
1233				SCREW
1234				SCREW
1235				SCREW
1236				SCREW
1237				SCREW
1238				SCREW
1239				SCREW
1240				SCREW
1241				SCREW
1242				SCREW
1243				SCREW
1244				SCREW
1245				SCREW
1246				SCREW
1247				SCREW
1248				SCREW
1249				SCREW
1250				SCREW
1251				SCREW
1252				SCREW
1253				SCREW
1254				SCREW
1255				SCREW
1256				SCREW
1257				SCREW
1258				SCREW
1259				SCREW
1260				SCREW
1261				SCREW
1262				SCREW
1263				SCREW
1264				SCREW
1265				SCREW
1266				SCREW
1267				SCREW
1268				SCREW
1269				SCREW
1270				SCREW
1271				SCREW
1272				SCREW
1273				SCREW
1274				SCREW
1275				SCREW
1276				SCREW
1277				SCREW
1278				SCREW
1279				SCREW
1280				SCREW
1281				SCREW
1282				SCREW
1283				SCREW
1284				SCREW
1285				SCREW
1286				SCREW
1287				SCREW
1288				SCREW
1289				SCREW
1290				SCREW
1291				SCREW
1292				SCREW
1293				SCREW
1294				SCREW
1295				SCREW
1296				SCREW
1297				SCREW
1298				SCREW
1299				SCREW
1300				SCREW

Repairs/modification and testing of electric power tools are to be carried out by specialists. The safety regulations according to DIN/VDE/CEE/AFNOR and other regulations valid in the different countries are to be observed.