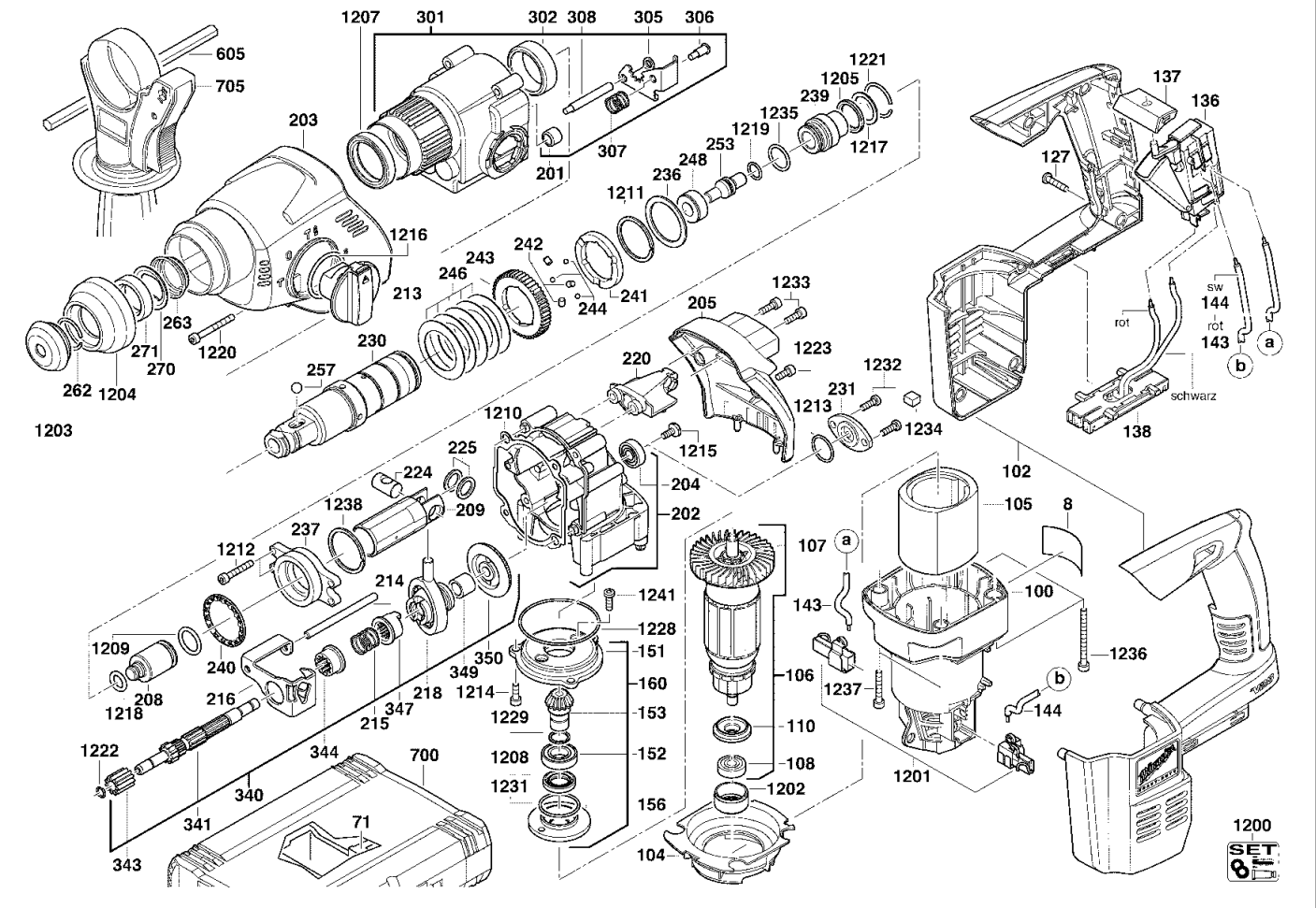


A & M Electric Tools

Ind Product No.	Type	Voltage	Country
a 4000400892	V28H	28V	IN2

Rotary Hammers

Milwaukee	Exp.view No.	Version	Date	Page
V 28 H	4926 4008 93	0002	20.11.07	1/3



Pos	Index	Quanti	Article No.	Designation	Pos	Index	Quanti	Article No.	Designation
0008	a.....	1	4931400895	RATING PLATE	0202	a.....	1	4931400877	GEAR BOX
0071	a.....	1	4931392424	INSERT	0203	a.....	1	4931392716	GEAR BOX INSULATIO
0100	a.....	1	4931392710	MOTOR HOUSING	0204	a.....	1	4931623951	BALL BEARING
0102	a.....	1	4931400409	HANDLE COMPL.	0205	a.....	1	4931392717	GEAR COVER
0104	a.....	1	4931392727	AIR DEFLECTOR RING	0208	a.....	1	4931392376	PERCUSSION BODY
0105	a.....	1	4931392390	HOUSING	0209	a.....	1	4931392472	CYLINDER
0106	a.....	1	4931392380	ARMATURE	0213	a.....	1	4931384621	SWITCH HANDLE
0107	a.....	1	4931342793	FAN	0214	a.....	1	4931624279	CYLINDER PIN
0108	a.....	1	4931623951	BALL BEARING	0215	a.....	1	4931365058	SPRING
0110	a.....	1	4931392383	INSULATING DISC	0216	a.....	1	4931384617	SLIDING SWITCH
0127	a.....	7	4931624515	SCREW	0218	a.....	1	4931365013	WOBBLE DRIVE
0136	a.....	1	4931400353	SWITCH BOARD	0220	a.....	1	4931392728	HOLDING DEVICE
0137	a.....	1	4931392715	LEVER	0224	a.....	1	4931365056	CYLINDRICAL BOLT
0138	a.....	1	4931396430	WIRE	0225	a.....	2	4931365112	DISC
0143	a.....	1	4931624571	WIRE	0230	a.....	1	4931392734	SPINDEL GEAR SLEEV
0144	a.....	1	4931624572	WIRE	0231	a.....	1	4931392461	BEARING COVER
0151	a.....	1	4931384626	BEARING END PLATE	0236	a.....	1	4931624426	WASHER
0152	a.....	1	4931624278	BALL BEARING	0237	a.....	1	4931392737	ENDPLATE
0153	a.....	1	4931375892	PINION	0239	a.....	1	4931384608	SLEEVE
0156	a.....	1	4931392742	BEARING COVER	0240	a.....	1	4931392736	SPINDLE BEARING
0160	a.....	1	4931400875	BEARING END PLATE	0241	a.....	1	4931392751	CLUTCH DISC
0201	a.....	1	4931933756	NEEDLE BEARING	0242	a.....	3	4931365057	CYLINDRICAL BOLT

Repairs/modification and testing of electric power tools are to be carried out by specialists. The safety regulations according to DIN/VDE/CEE/AFNOR and other regulations valid in the different countries are to be observed.

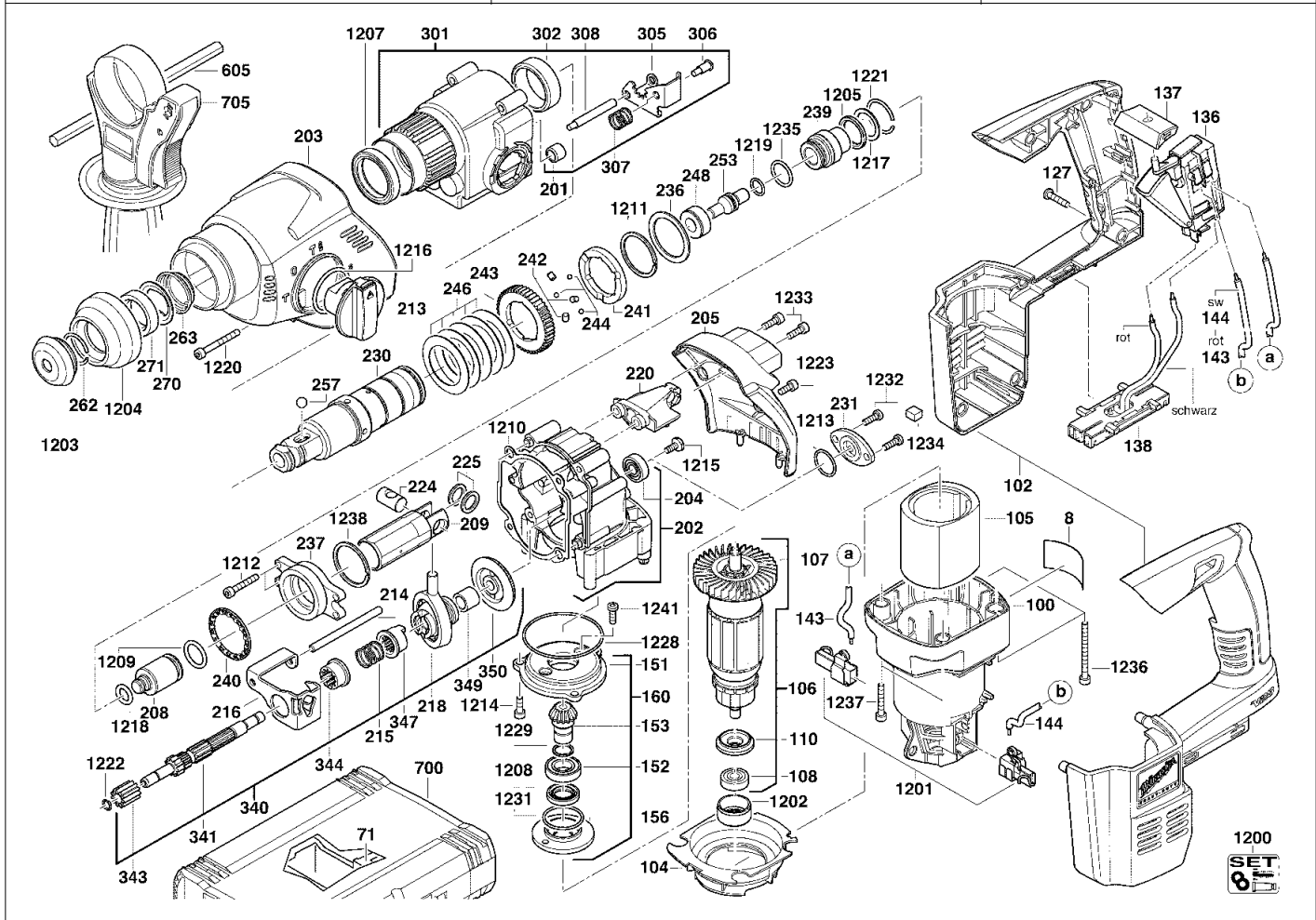
A & M Electric Tools

Rotary Hammers

Ind Product No.	Type	Voltage	Country
a 4000400892	V28H	28V	IN2

Ind Product No.	Type	Voltage	Country

Milwaukee			
V 28 H			
Exp.view No.	Version	Date	Page
4926 4008 93	0002	20.11.07	2/3



Pos	Index	Quanti	Article No.	Designation
0243	a.....	1	4931392489	SPINDLE GEAR
0244	a.....	3	4931944281	BALL
0246	a.....	5	4931365066	CUP SPRING
0248	a.....	1	4931392465	STOP WASHER
0253	a.....	1	4931384606	SNAP DIE
0257	a.....	1	4931911572	BALL
0262	a.....	1	4931623220	SPRING RING
0263	a.....	1	4931343128	PRESSURE SPRING
0270	a.....	1	4931343127	SUPPORT PLATE
0271	a.....	1	4931384635	HOLDING RING
0301	a.....	1	4931392741	GEAR BOX
0302	a.....	1	4931621944	NEEDLE BEARING
0305	a.....	1	4931384618	LOCKING PLATE
0306	a.....	1	4931384619	GUIDE BOLT
0307	a.....	1	4931384631	PRESSURE SPRING
0308	a.....	1	4931384690	GUIDE BOLT
0340	a.....	1	4931400876	REDUCTION GEAR
0341	a.....	1	4931384610	REDUCT. GEAR SHAFT
0343	a.....	1	4931384611	GEAR
0344	a.....	1	4931375874	INTERN.GEARED WHE
0347	a.....	1	4931384691	COUPLING SLEEVE
0349	a.....	1	4931384613	DISTANCE SLEEVE

Pos	Index	Quanti	Article No.	Designation
0350	a.....	1	4931375891	BEVEL GEAR
0605	a.....	1	4931384434	DEPTH GAUGE
0700	a.....	1	4932383162	CARRYING CASE
0705	a.....	1	4931392747	HANDLE
1200	a.....	1	4931400878	MAINTENANCE SET
1201	a.....	1	4931392429	CARBON BRUSH SET
1202	a.....	1	4931351729	RUBBER SLEEVE
1203	a.....	1	4931384687	RUBBER CAP
1204	a.....	1	4931384634	SLEEVE
1205	a.....	1	4931624391	SEAL RING
1207	a.....	1	4931624430	SEAL RING
1208	a.....	1	4931624429	SEAL RING
1209	a.....	1	4931624533	SEAL RING
1210	a.....	1	4931375894	SEAL
1211	a.....	1	4931945764	SPRING RING
1212	a.....	4	4931624425	SCREW
1213	a.....	1	4931623912	SEAL RING
1214	a.....	3	4931624581	SCREW
1215	a.....	1	4931375897	SCREW
1216	a.....	1	4931624353	SEAL RING
1217	a.....	1	4931392464	THRUST COLLAR
1218	a.....	1	4931387380	O-RING

Repairs/modification and testing of electric power tools are to be carried out by specialists. The safety regulations according to DIN/VDE/CEE/AFNOR and other regulations valid in the different countries are to be observed.

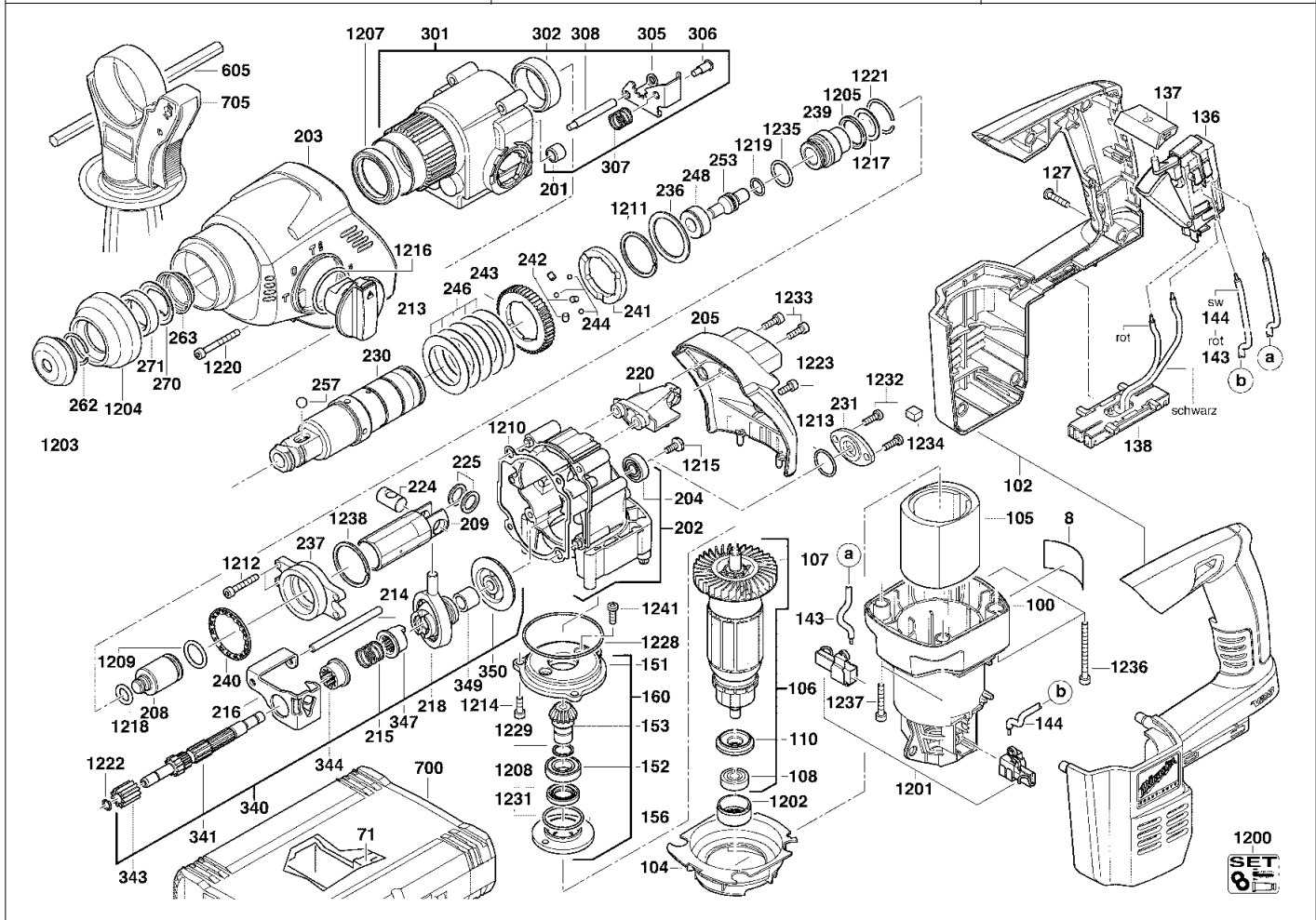
A & M Electric Tools

Rotary Hammers

Ind Product No.	Type	Voltage	Country
a 4000400892	V28H	28V	IN2

Ind Product No.	Type	Voltage	Country

Milwaukee			
V 28 H			
Exp.view No.	Version	Date	Page
4926 4008 93	0002	20.11.07	3/3



Pos	Index	Quanti	Article No.	Designation
1219	a.....	1	4931624493	SEAL RING
1220	a.....	4	4931624583	SCREW
1221	a.....	1	4931623860	SPRING RING
1222	a.....	1	4931624260	SPRING RING
1223	a.....	2	4931624581	SCREW
1228	a.....	1	4931623198	O-RING
1229	a.....	1	4931622084	SPRING RING
1231	a.....	1	4931624351	SEAL RING
1232	a.....	2	4931621743	SCREW
1233	a.....	2	4931622315	SCREW
1234	a.....	1	4931375508	FELT
1235	a.....	1	4931624381	O-RING
1236	a.....	2	4931624584	SCREW
1237	a.....	2	4931624582	SCREW
1238	a.....	1	4931624383	SPRING RING
1241	a.....	2	4931267225	SCREW

Pos	Index	Quanti	Article No.	Designation
1203				
1204				
1205				
1207				
1209				
1210				
1211				
1212				
1213				
1214				
1215				
1216				
1217				
1218				
1219				
1220				
1221				
1222				
1223				
1224				
1225				
1228				
1229				
1230				
1231				
1232				
1233				
1234				
1235				
1236				
1237				
1238				
1239				
1240				
1241				
1242				
1243				
1244				
1245				
1246				
1247				
1248				
1249				
1250				
1251				
1252				
1253				
1254				
1255				
1256				
1257				
1258				
1259				
1260				
1261				
1262				
1263				
1264				
1265				
1266				
1267				
1268				
1269				
1270				
1271				
1272				
1273				
1274				
1275				
1276				
1277				
1278				
1279				
1280				
1281				
1282				
1283				
1284				
1285				
1286				
1287				
1288				
1289				
1290				
1291				
1292				
1293				
1294				
1295				
1296				
1297				
1298				
1299				
1300				

Repairs/modification and testing of electric power tools are to be carried out by specialists. The safety regulations according to DIN/VDE/CEE/AFNOR and other regulations valid in the different countries are to be observed.