

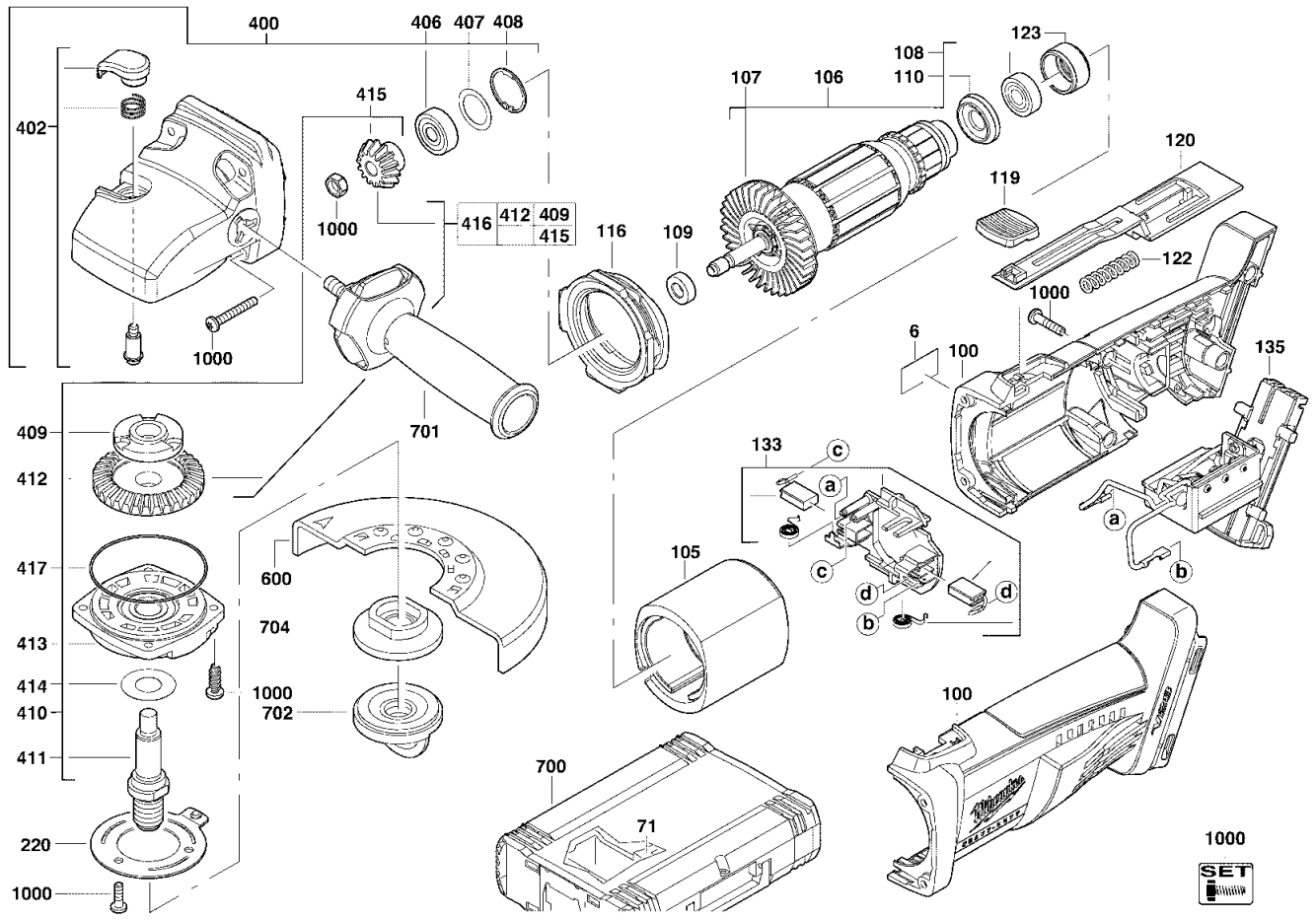
A & M Electric Tools

Battery Tools

Ind	Product No.	Type	Voltage	Country
a	4000401651	V28AG	28V	***

Ind	Product No.	Type	Voltage	Country

Milwaukee		
V28 AG 115MM		
Exp.view No.	Version	Date
4926 4016 54	0004	09.11.07 1/1



Pos	Index	Quanti	Article No.	Designation
0006	a.....	1	4931401681	RATING PLATE
0071	a.....	1	4931401666	INSERT
0100	a.....	1	4931401661	HOUSING
0105	a.....	1	4931392390	HOUSING
0106	a.....	1	4931401655	ARMATURE
0107	a.....	1	4931342793	FAN
0108	a.....	1	4931623951	BALL BEARING
0109	a.....	1	4931401664	DISTANCE SLEEVE
0110	a.....	1	4931392383	INSULATING DISC
0116	a.....	1	4931401686	AIR DEFLECTOR RING
0119	a.....	1	4931401676	SLIDER
0120	a.....	1	4931401755	SWITCH LEVER
0122	a.....	1	4931327696	PRESSURE SPRING
0123	a.....	1	4931351729	RUBBER SLEEVE
0133	a.....	1	4931401672	BRUSH HOLDER
0135	a.....	1	4931401822	ELECTRONIC
0220	a.....	1	4931345965	SPRING WASHER
0400	a.....	1	4931401705	GEAR BOX
0402	a.....	1	4931358685	LOCK COMPLETE
0406	a.....	1	4931624360	BALL BEARING
0407	a.....	1	4931803914	SEALING WASHER
0408	a.....	1	4931613683	LOCKING RING

Pos	Index	Quanti	Article No.	Designation
0409	a.....	1	4931401692	LOCKING DISC
0410	a.....	1	4931401671	DRIVE GEAR
0411	a.....	1	4931369770	SPINDLE
0412	a.....	1	4931401659	WHEEL
0413	a.....	1	4931378310	BEARING END PLATE
0414	a.....	1	4931623480	DISC
0415	a.....	1	4931401658	PINION
0416	a.....	1	4931401706	BEVEL GEAR PAIR
0417	a.....	1	4931623590	SEAL RING
0600	a.....	1	4931378167	GUARD CAP
0700	a.....	1	4932378986	CARRYING CASE
0701	a.....	1	4931398507	HANDLE
0702	a.....	1	4932358225	FIXTEC NUT
0704	a.....	1	4932263299	CLAMPING FLANGE
1000	a.....	1	4931401695	CONNECTION SET

Repairs/modification and testing of electric power tools are to be carried out by specialists. The safety regulations according to DIN/VDE/CEE/AFNOR and other regulations valid in the different countries are to be observed.