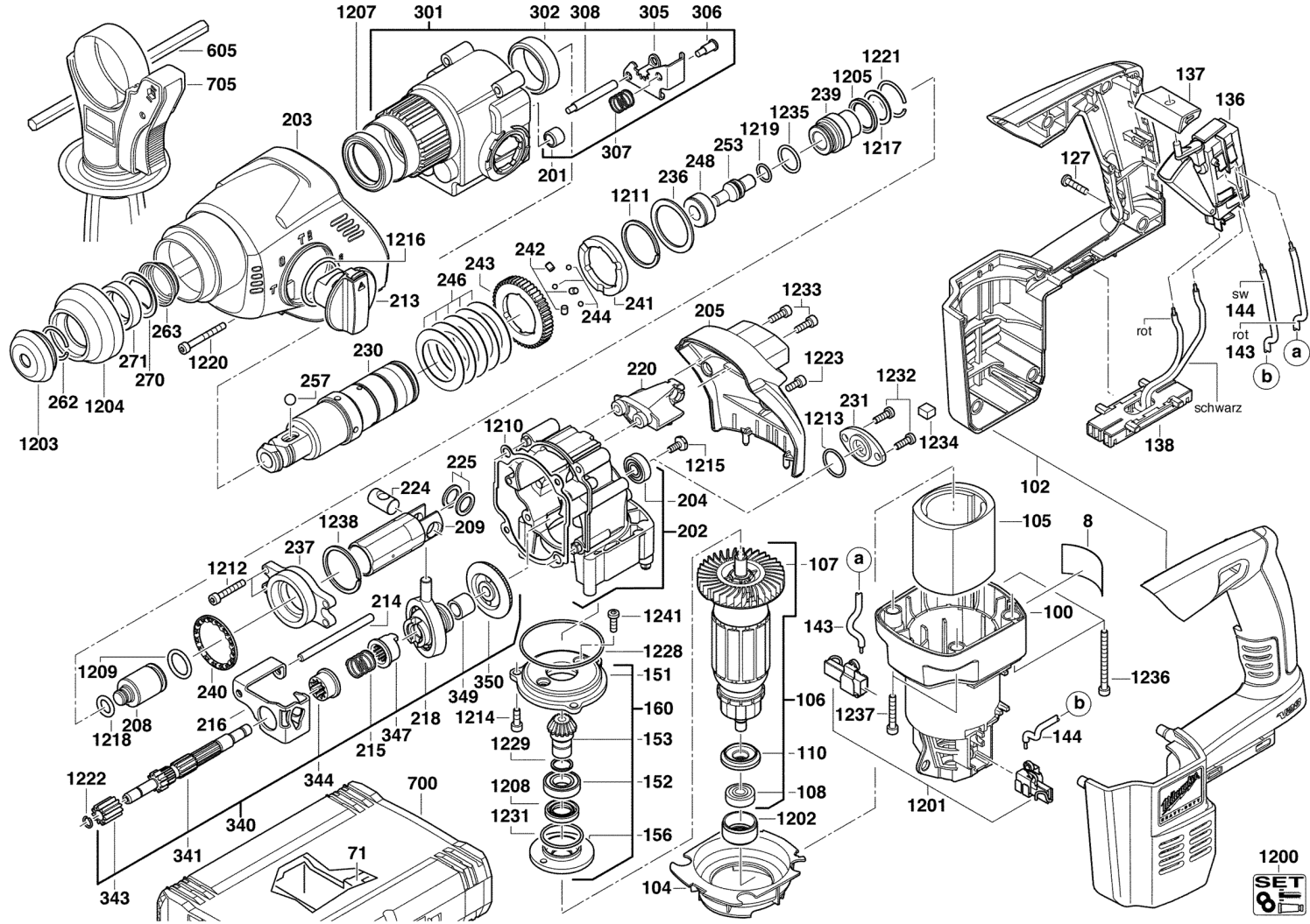


# **BTY. ROTARY HAMMER**

**4933415514 - HD28H - 4000415515**



Position	Quantity	Description	Part number	EAN
0008	1	RATING PLATE	4931415516	4002395822447
0071	1	INSERT	4931392424	4002395738564
0100	1	MOTOR HOUSING	4931392710	4002395742158
0102	1	HANDLE COMPL.	4931400392	4002395758821
0104	1	AIR DEFLECTOR RING	4931392727	4002395747214
0105	1	HOUSING	4931392390	4002395738809
0106	1	ARMATURE	4931392380	4002395842087
0107	1	FAN	4931342793	4002395628544
0108	2	BALL BEARING	4931623951	4002395704903
0110	1	INSULATING DISC	4931392383	4002395747405
0127	7	SCREW	4931624515	4002395757367
0136	1	SWITCH BOARD	4931400353	4002395757282
0137	1	LEVER	4931392715	4002395742172
0138	1	WIRE	4931396430	4002395766147
0143	1	WIRE	4931624571	4002395765966
0144	1	WIRE	4931624572	4002395765973
0151	1	BEARING END PLATE	4931384626	4002395842537
0152	1	BALL BEARING D 625 609 ZZ C3LDS	4931624278	4002395731053
0153	1	PINION	4931375892	4002395768653
0156	1	BEARING COVER	4931392742	4002395905713
0160	1	BEARING END PLATE	4931400875	4002395768660
0201	1	NEEDLE BEARING N874989 HK 0709	4931933756	4002395706785
0202	1	GEAR BOX	4931400877	4002395768684
0203	1	GEAR BOX INSULATION	4931392716	4002395742189
0205	1	GEAR COVER	4931392717	4002395742196
0208	1	PERCUSSION BODY	4931392376	4002395757909
0209	1	CYLINDER	4931405931	4002395905645
0213	1	SWITCH HANDLE	4931384621	4002395726066
0214	1	CYLINDER PIN	4931624279	4002395731060
0215	1	SPRING	4931365058	4002395665839
0216	1	SLIDING SWITCH	4931384617	4002395726042
0218	1	WOBBLE DRIVE	4931387623	4002395829101
0220	1	HOLDING DEVICE	4931392728	4002395747672
0224	1	CYLINDRICAL BOLT	4931387381	4002395792610
0225	2	WASHER	4931365112	4002395666027
0230	1	SPINDLE SLEEVE	4931392734	4002395833412
0231	1	BEARING COVER	4931392461	4002395741410
0236	1	WASHER 30,3X41,5X1,5	4931624426	4002395748785
0237	1	ENDPLATE	4931392737	4002395748501
0239	1	CORE LIFTER RING	4931384608	4002395835386
0240	1	SPINDLE BEARING	4931392736	4002395748624
0241	1	CLUTCH DISC	4931392751	4002395743285
0242	3	CYLINDRICAL BOLT	4931365057	4002395665822
0243	1	SPINDLE GEAR	4931392489	4002395738380
0244	3	BALL	4931944281	4002395707140
0246	5	CUP SPRING	4931365066	4002395665877
0248	1	BRAKE RING	4931409537	4002395745319
0248	1	BRAKE RING	4931392465	4002395745319
0253	1	SNAP DIE	4931384606	4002395726028
0257	1	BALL	4931911572	4002395706457

Position	Quantité	Désignation	Référence	EAN
0262	1	SPRING RING	4931623220	4002395701063
0263	1	PRESSURE SPRING	4931343128	4002395629466
0270	1	SUPPORT PLATE	4931343127	4002395629459
0271	1	HOLDING RING	4931384635	4002395726127
0301	1	GEAR BOX	4931392741	4002395748334
0302	1	NEEDLE BEARING N874989 HK 3012 F	4931621944	4002395696314
0305	1	LOCKING PLATE	4931384618	4002395726226
0306	1	GUIDE BOLT	4931384619	4002395726059
0307	1	PRESSURE SPRING	4931384631	4002395726103
0308	1	GUIDE BOLT	4931384690	4002395734030
0340	1	REDUCTION GEAR	4931400876	4002395768677
0341	1	REDUCT. GEAR SHAFT	4931384610	4002395835096
0343	1	SPROCKET	4931375873	4002395789627
0344	1	INTERN.GEARED WHEEL	4931375874	4002395766833
0347	1	COUPLING SLEEVE	4931384691	4002395735815
0349	1	DISTANCE SLEEVE	4931384613	4002395738144
0350	1	BEVEL GEAR	4931375891	4002395768646
0605	1	DEPTH GAUGE	4931384434	4002395719402
0705	1	HANDLE	4931392747	4002395751419
1200	1	MAINTENANCE SET	4931400878	4002395769032
1201	1	CARBON BRUSH SET	4931392429	4002395741939
1202	1	RUBBER SLEEVE	4931396532	4002395790272
1203	1	RUBBER CAP	4931384687	4002395730933
1204	1	SLEEVE	4931384634	4002395726110
1205	1	SEAL RING N874701 25X2	4931624391	4002395745777
1207	1	SEAL RING N874724 30X37X4	4931624430	4002395748365
1208	1	SEAL RING N874724 30X37X4	4931624429	4002395748631
1209	1	SEAL RING	4931624533	4002395757930
1210	1	SEAL	4931375894	4002395766291
1211	1	SPRING RING	4931945764	4002395707317
1212	6	SCREW	4931624582	4002395768301
1213	1	SEAL RING	4931623912	4002395704651
1214	5	SCREW	4931624581	4002395768295
1215	1	SCREW	4931375897	4002395767113
1216	1	SEAL RING N874701 25X2	4931624353	4002395741878
1217	1	THRUST COLLAR	4931387479	4002395788477
1218	1	O-RING	4931387380	4002395769148
1219	1	SEAL RING	4931624493	4002395755318
1220	4	SCREW	4931624583	4002395768318
1221	1	SPRING RING	4931623860	4002395704286
1222	1	SPRING RING	4931624260	4002395724604
1228	1	O-RING N874701 52X1,5	4931623198	4002395700981
1229	1	SPRING RING	4931622084	4002395696680
1231	1	SEAL RING N874701 25X2	4931624351	4002395741427
1232	2	SCREW D 912 M 5X12 SSI	4931621743	4002395695935
1233	2	SCREW D 912 M5X16 8.8SSI	4931622315	4002395697434
1234	1	FELT	4931375508	4002395731732
1235	1	O-RING N874701 25X2	4931624381	4002395745289
1236	2	SCREW	4931624584	4002395768325
1238	1	SPRING RING	4931624383	4002395748860

<b>Position</b>	<b>Quantité</b>	<b>Désignation</b>	<b>Référence</b>	<b>EAN</b>
1241	2	SCREW	4931267225	4002395587308
0700	1	CARRYING CASE SIZE2 MET	4932383162	4002395349463