

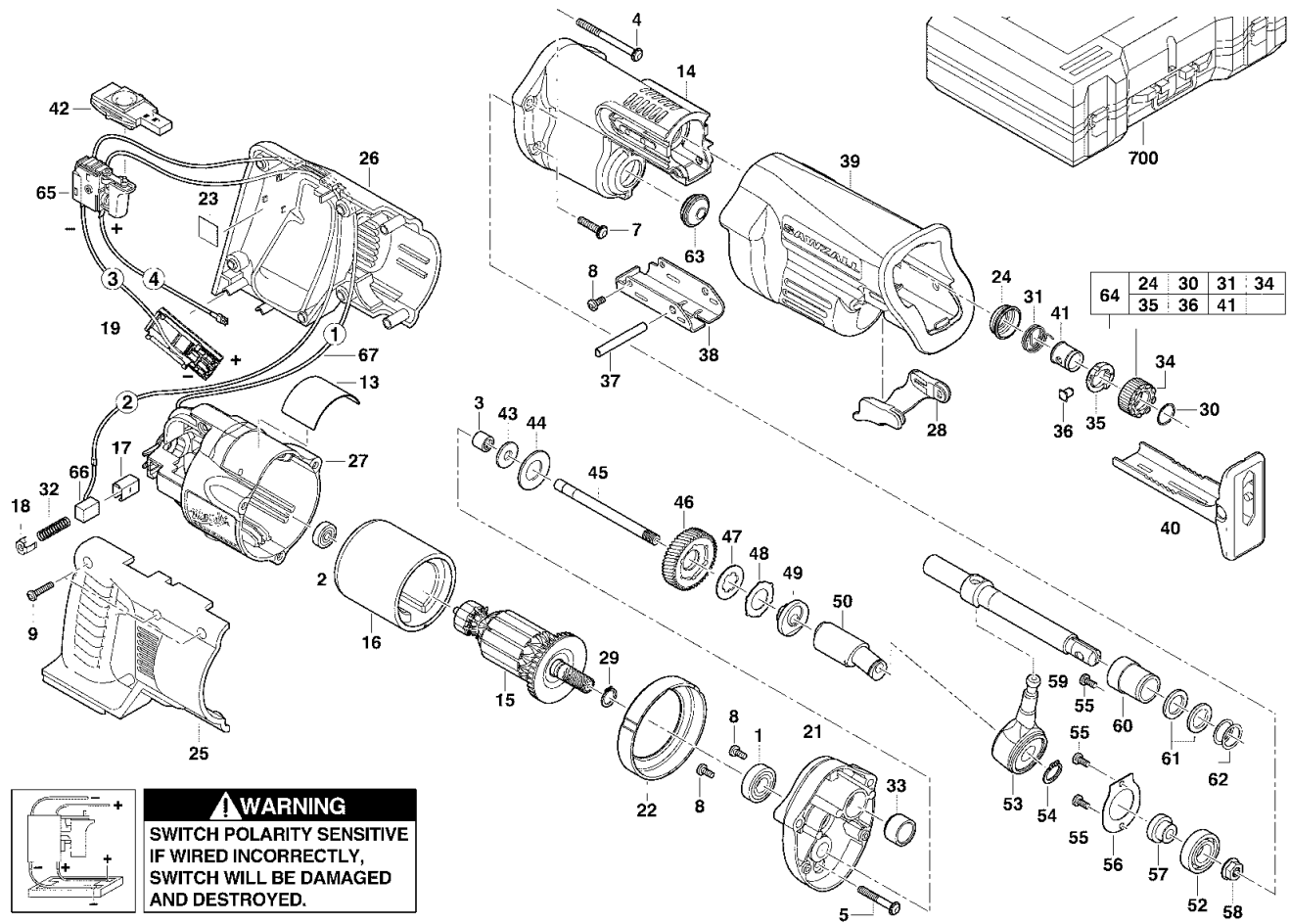
# A & M Electric Tools

# Battery Tools

Ind	Product No.	Type	Voltage	Country
a	4000401413	V18SX	18V	***

Ind	Product No.	Type	Voltage	Country

Milwaukee			
<b>V 18 SX</b>			
Exp.view No.	Version	Date	Page
4926 4014 15	0002	08.02.08	1/2



Pos	Index	Quanti	Article No.	Designation
0001	a.....	1	02040719	BALL BEARING
0002	a.....	1	02045130	BALL BEARING
0003	a.....	1	02502150	NEEDLE BEARING
0004	a.....	2	05880302	SCREW
0005	a.....	1	05888309	SCREW
0007	a.....	2	06825363	SCREW
0008	a.....	3	06827253	SCREW
0009	a.....	6	06827261	SCREW
0013	a.....	1	12203420	NAME PLATE
0014	a.....	1	28140999	GEAR BOX
0015	a.....	1	16012135	ARMATURE
0016	a.....	1	18012120	ELECTRIC FIELD
0017	a.....	2	22200860	BRUSH HOLDER
0018	a.....	2	22320400	BRUSH HOLDER
0019	a.....	1	22560230	CONNECTION
0021	a.....	1	28280719	DIAPHRAGM
0022	a.....	1	31050719	AIR DEFLECTOR RING
0023	a.....	1	10150175	LABEL
0024	a.....	1	31150511	CLAMPING RING
0025	a.....	1	31440750	HANDLE RIGHT
0026	a.....	1	31440755	HANDLE LEFT
0027	a.....	1	31500019	MOTOR HOUSING

Pos	Index	Quanti	Article No.	Designation
0028	a.....	1	31520090	SHOE REL.LEVER KIT
0029	a.....	1	34600920	RING
0030	a.....	1	34603680	RING
0031	a.....	1	40500161	SPRING
0032	a.....	2	40508840	PRESSURE SPRING
0033	a.....	1	42240620	BEARING
0034	a.....	1	42500076	CLAMPING RING
0035	a.....	1	42500077	CLAMPING RING
0036	a.....	1	44600626	PIN
0037	a.....	1	44601635	PIN
0038	a.....	1	44660880	HOLDER
0039	a.....	1	45120999	GEAR BOX INSULATIO
0040	a.....	1	45160645	DISTANCE HOLDER
0041	a.....	1	45220081	CLAMPING RING
0042	a.....	1	45240204	SLIDE
0043	a.....	1	45881555	WASHER
0044	a.....	1	40508850	PRESSURE SPRING
0045	a.....	1	42120155	AXLE WOBBLE
0046	a.....	1	32400719	GEAR
0047	a.....	1	43060685	DISC
0048	a.....	1	43060676	PLATE
0049	a.....	1	43780525	HUB

Repairs/modification and testing of electric power tools are to be carried out by specialists. The safety regulations according to DIN/VDE/CEE/AFNOR and other regulations valid in the different countries are to be observed.

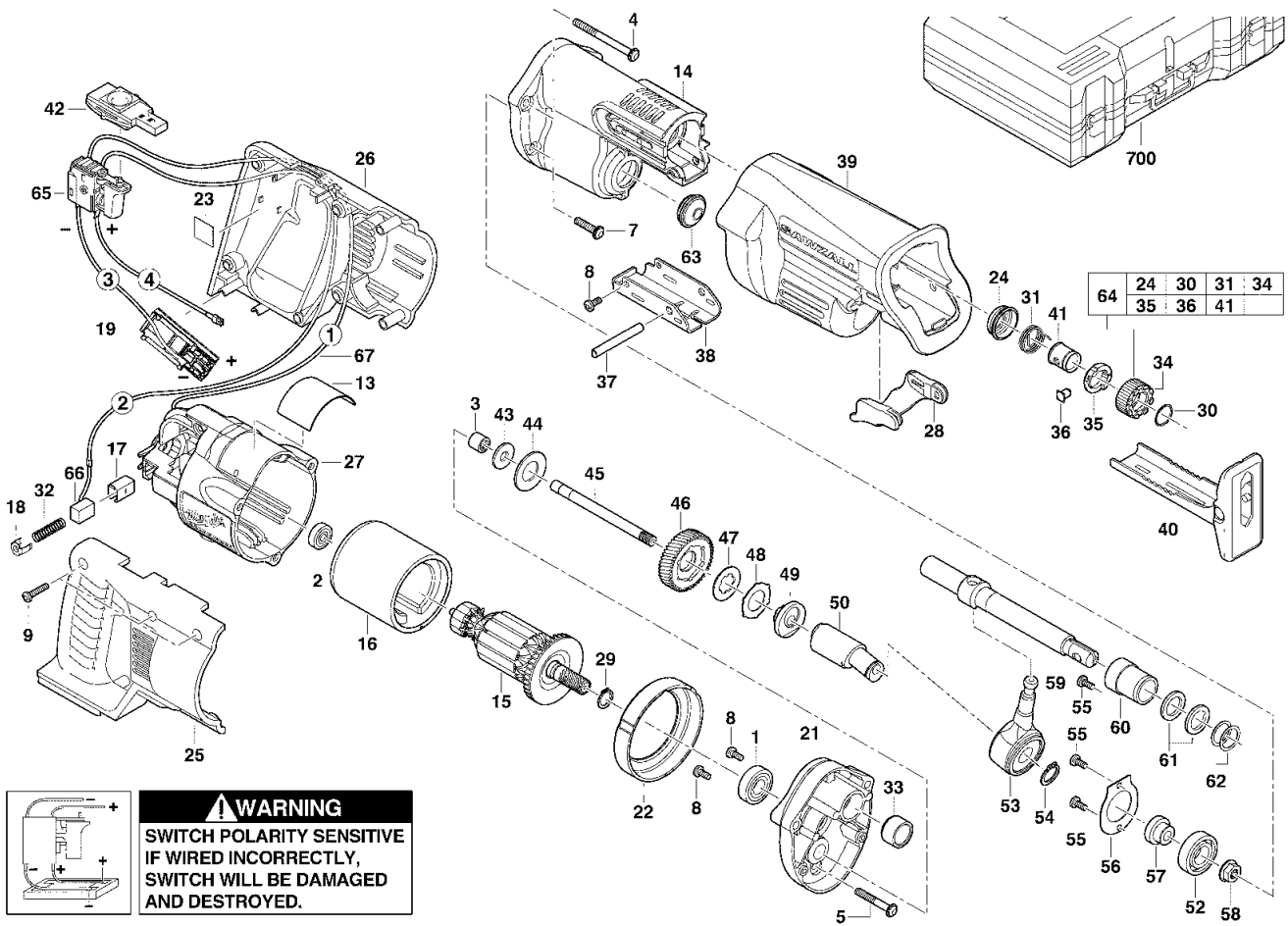
# A & M Electric Tools

# Battery Tools

Ind	Product No.	Type	Voltage	Country
a	4000401413	V18SX	18V	***

Ind	Product No.	Type	Voltage	Country

Milwaukee				
V 18 SX				
Exp.view No.	Version	Date	Page	
4926 4014 15	0002	08.02.08	2/2	



Pos	Index	Quanti	Article No.	Designation
0050	a.....	1	36920502	DRIVE GEAR
0052	a.....	1	02041510	BALL BEARING
0053	a.....	1	14670135	WOBBLE DRIVE
0054	a.....	1	34601315	RING
0055	a.....	3	06827253	SCREW
0056	a.....	1	44860055	BEARING CAGE
0057	a.....	1	45361445	SPACER
0058	a.....	1	06553790	NUT
0059	a.....	1	38500680	SPINDLE
0060	a.....	1	42240610	SPINDLE BEARING
0061	a.....	2	45060501	FELT PACKING
0062	a.....	2	45888577	WASHER
0063	a.....	1	42520380	BEARING COVER
0064	a.....	1	14461011	FIXTEC-SET
0065	a.....	1	23662485	SWITCH ASSEMBLY
0066	a.....	1	22180976	RIGHT CARBON BRUSH
0067	a.....	1	22180971	LEFT CARBON BRUSH
0700	a.....	1	48550719	CARRYING CASE

Pos	Index	Quanti	Article No.	Designation
0050	a.....	1	36920502	DRIVE GEAR
0052	a.....	1	02041510	BALL BEARING
0053	a.....	1	14670135	WOBBLE DRIVE
0054	a.....	1	34601315	RING
0055	a.....	3	06827253	SCREW
0056	a.....	1	44860055	BEARING CAGE
0057	a.....	1	45361445	SPACER
0058	a.....	1	06553790	NUT
0059	a.....	1	38500680	SPINDLE
0060	a.....	1	42240610	SPINDLE BEARING
0061	a.....	2	45060501	FELT PACKING
0062	a.....	2	45888577	WASHER
0063	a.....	1	42520380	BEARING COVER
0064	a.....	1	14461011	FIXTEC-SET
0065	a.....	1	23662485	SWITCH ASSEMBLY
0066	a.....	1	22180976	RIGHT CARBON BRUSH
0067	a.....	1	22180971	LEFT CARBON BRUSH
0700	a.....	1	48550719	CARRYING CASE

Repairs/modification and testing of electric power tools are to be carried out by specialists. The safety regulations according to DIN/VDE/CEE/AFNOR and other regulations valid in the different countries are to be observed.