

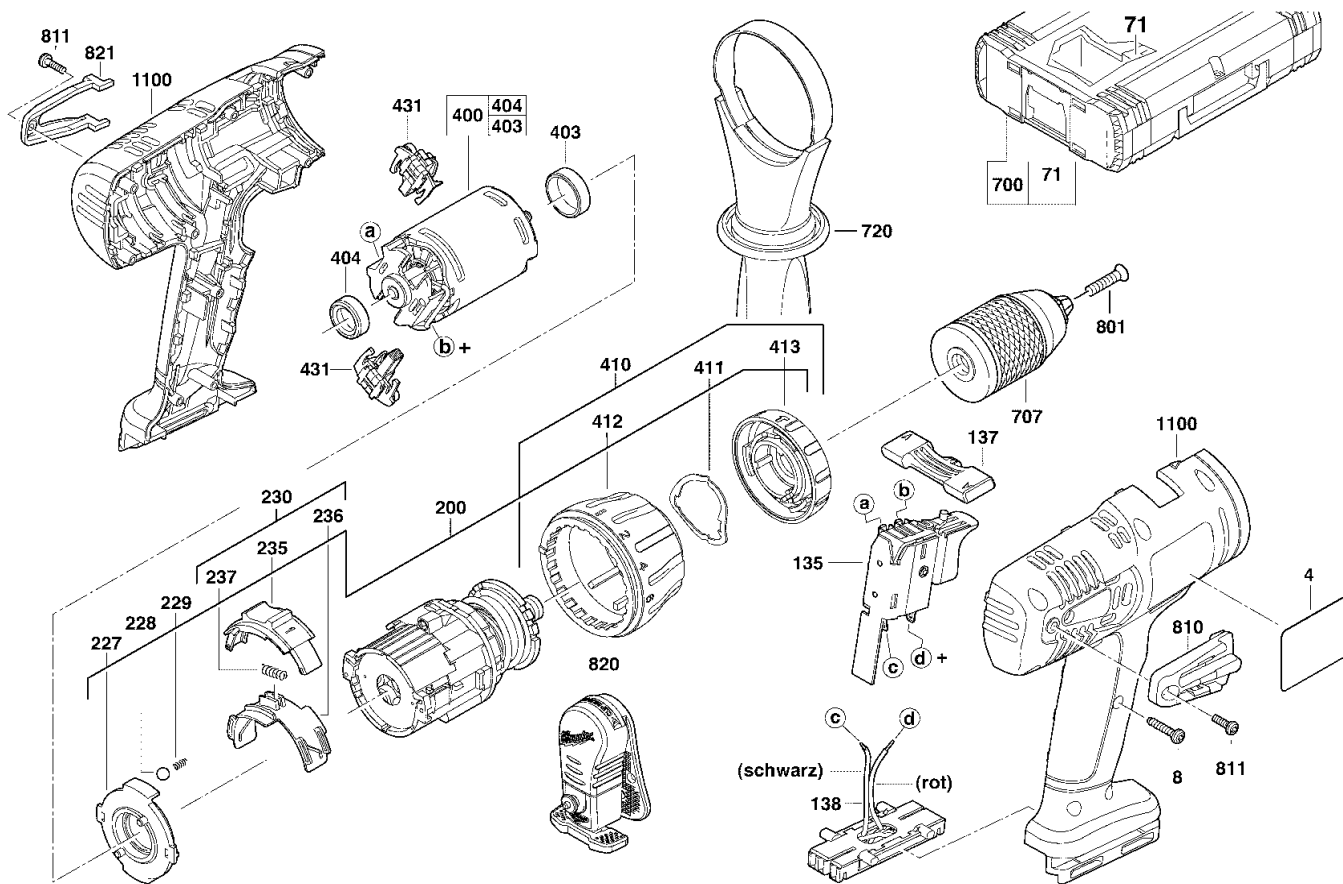
A & M Electric Tools

Battery Tools

Ind	Product No.	Type	Voltage	Country	Ind	Product No.	Type	Voltage	Country
a	4000401362	V18PD	18V	***					
b	4000404478	V18PD	18V	***					

Milwaukee
V 18 PD

Exp.view No. Version Date Page
4926 4013 64 0004 17.01.08 1/1



Pos	Index	Quanti	Article No.	Designation	Pos	Index	Quanti	Article No.	Designation
0004	a.....	1	4931401365	RATING PLATE	0431	ab.....	1	4931395047	BRUSH HOLDER
0004	.b.....	1	4931404480	RATING PLATE	0700	ab.....	1	4932378986	CARRYING CASE
0008	ab.....	9	4931622708	SCREW	0707	ab.....	1	4932371913	QUICK ACTION CHUCK
0071	ab.....	1	4931401358	INSERT	0720	ab.....	1	4932376128	HANDLE
0135	ab.....	1	4931400348	SWITCH BOARD	0801	ab.....	1	4931401643	LOCKING SCREW
0137	ab.....	1	4931389820	SLIDING SWITCH	0810	ab.....	1	43720455	BIT HOLDER
0138	ab.....	1	4931389837	WIRE	0811	ab.....	2	4931390671	SCREW
0200	ab.....	1	4931389844	GEAR BOX	0820	ab.....	1	42705005	HOLDER
0227	ab.....	1	4931389825	BEARING END PLATE	0821	ab.....	1	43720300	HOLDER
0228	ab.....	1	4931805413	BALL	1100	ab.....	1	4931389840	HOUSING
0229	ab.....	1	4931388194	PRESSURE SPRING					
0230	ab.....	1	4931389821	LEVER					
0235	ab.....	1	4931389822	SLIDING SWITCH					
0236	ab.....	1	4931389823	CRANK					
0237	ab.....	1	4931389824	PRESSURE SPRING					
0400	ab.....	1	4931395167	MOTOR					
0403	ab.....	1	4931363798	RUBBER SLEEVE					
0404	ab.....	1	4931332388	RUBBER SLEEVE					
0410	ab.....	1	4931389650	JUMPER RING					
0411	ab.....	1	4931389522	SPRING WASHER					
0412	ab.....	1	4931389520	JUMPER RING					
0413	ab.....	1	4931389521	JUMPER RING					

Repairs/modification and testing of electric power tools are to be carried out by specialists. The safety regulations according to DIN/VDE/CEE/AFNOR and other regulations valid in the different countries are to be observed.