

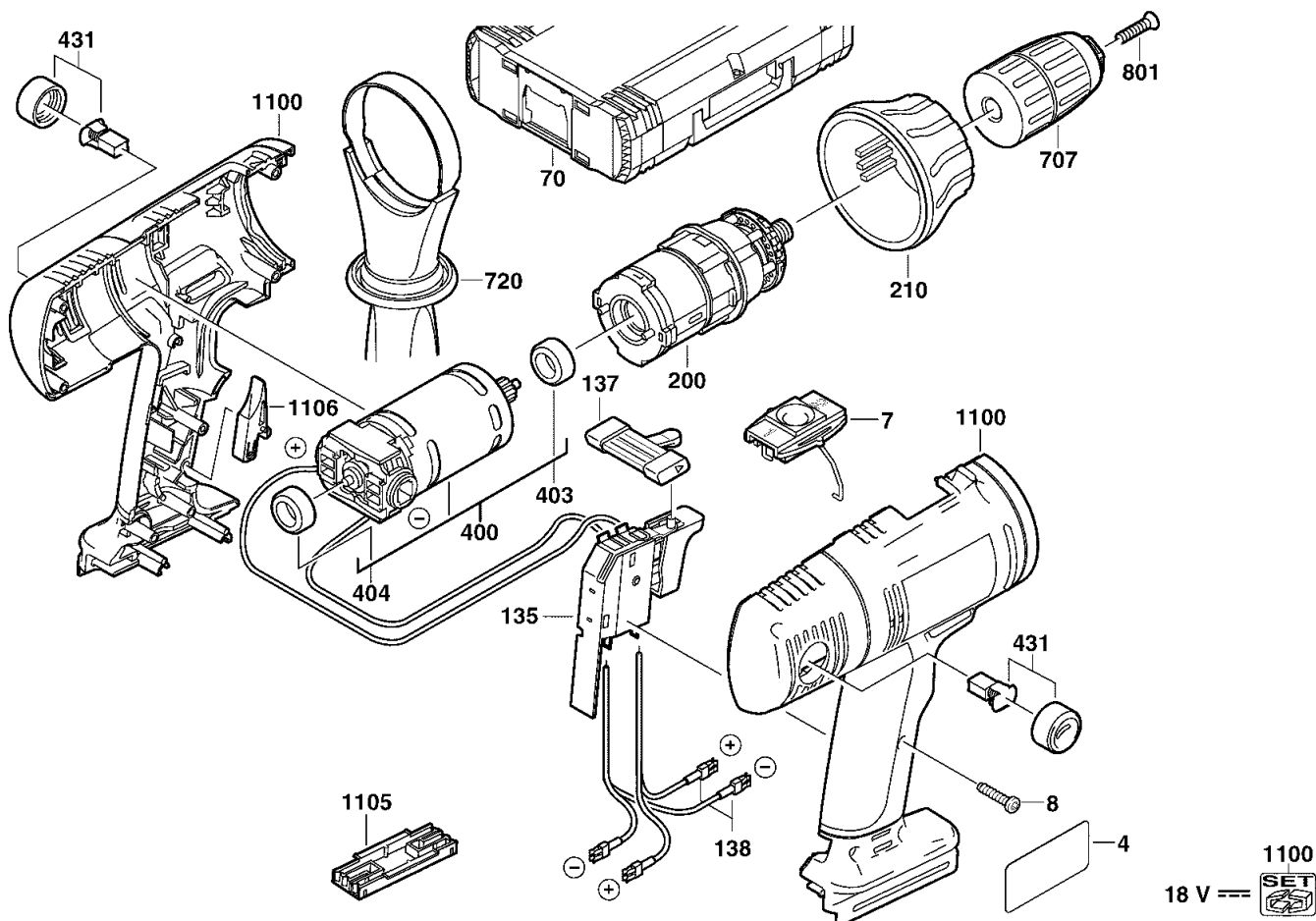
A & M Electric Tools

Battery Tools

Ind	Product No.	Type	Voltage	Country
a	4000382655	S18T	18V	***

Ind	Product No.	Type	Voltage	Country

Milwaukee			
S18T			
Exp.view No.	Version	Date	Page
4926 3826 58	0006	03.09.03	1/1



Pos	Index	Quanti	Article No.	Designation
0004	a.....	1	4931382659	RATING PLATE
0007	a.....	1	4931363810	SLIDING SWITCH
0008	a.....	7	4931622708	SCREW
0070	a.....	1	4932378986	CARRYING CASE
0135	a.....	1	4931400348	SWITCH BOARD
0137	a.....	1	4931376551	SLIDING SWITCH
0138	a.....	1	4931376528	WIRE
0200	a.....	1	4931366835	GEAR BOX
0210	a.....	1	4931366847	JUMPER RING
0400	a.....	1	4931376120	MOTOR
0403	a.....	1	4931366834	RUBBER SLEEVE
0404	a.....	1	4931363798	RUBBER SLEEVE
0431	a.....	1	4931376574	CARBON BRUSH SET
0707	a.....	1	4932376533	QUICK ACTION CHUCK
0720	a.....	1	4932376128	HANDLE
0801	a.....	1	4931400026	LOCKING SCREW
1100	a.....	1	4931389223	HOUSING
1105	a.....	1	4931363797	INSERT
1106	a.....	1	4931376135	BLADE HOUSING

Pos	Index	Quanti	Article No.	Designation

Repairs/modification and testing of electric power tools are to be carried out by specialists. The safety regulations according to DIN/VDE/CEE/AFNOR and other regulations valid in the different countries are to be observed.