

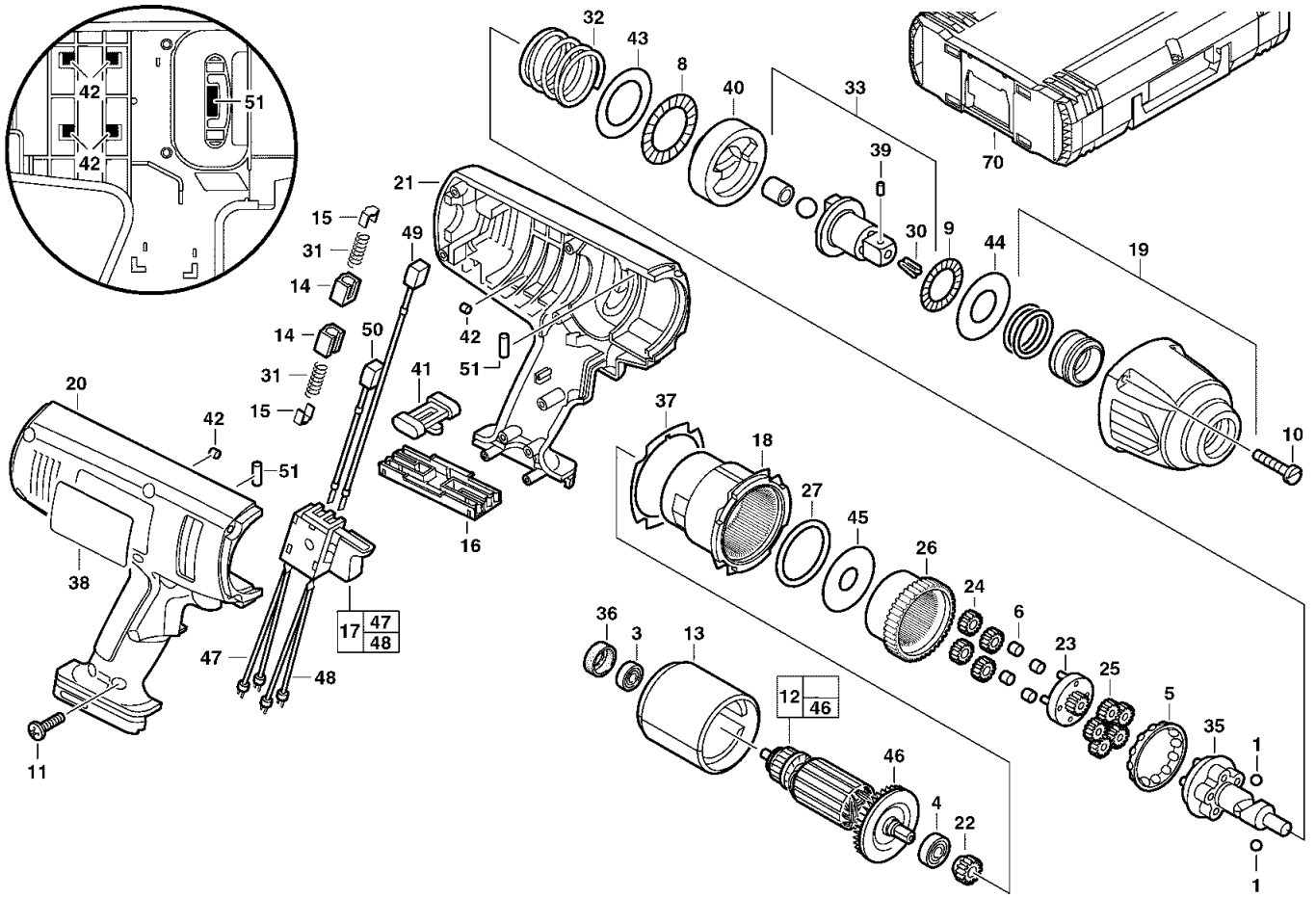
A & M Electric Tools

Battery Tools

Ind	Product No.	Type	Voltage	Country
a	4000384844	PIW18	18V	***

Ind	Product No.	Type	Voltage	Country

Milwaukee			
PIW 18			
Exp.view No.	Version	Date	Page
4926 3847 17	0005	16.01.07	1/2



Pos	Index	Quanti	Article No.	Designation	Pos	Index	Quanti	Article No.	Designation
0001	a.....	2	02020250	BALL	0025	a.....	5	32620215	PLANET GEAR
0003	a.....	1	02040645	BALL BEARING	0026	a.....	1	32650005	GEAR
0004	a.....	1	02040852	BALL BEARING	0027	a.....	1	34400070	O-RING
0005	a.....	1	02400050	BEARING	0030	a.....	1	40508320	SPRING
0006	a.....	4	02503260	BEARING	0031	a.....	2	40509079	SPRING
0008	a.....	1	02800200	BEARING	0032	a.....	1	40500241	SPRING
0009	a.....	1	02803256	BEARING	0033	a.....	1	14730145	ANVIL
0010	a.....	4	05885988	SCREW	0035	a.....	1	14730300	SHAFT
0011	a.....	7	06956290	SCREW	0036	a.....	1	42960015	BEARING
0012	a.....	1	16012100	ARMATURE	0037	a.....	1	43440991	GASKET
0013	a.....	1	18012120	ELECTRIC FIELD	0038	a.....	1	12203400	NAME PLATE
0014	a.....	2	22200425	BRUSH HOLDER	0039	a.....	1	44601170	PIN
0015	a.....	2	22320420	SPRING	0040	a.....	1	44820205	RAM
0016	a.....	1	4931363797	INSERT	0041	a.....	1	45240510	SLIDE
0017	a.....	1	23660106	SWITCH	0042	a.....	8	45300021	BALL
0018	a.....	1	28140175	GEAR CASE	0043	a.....	1	45880535	WASHER
0019	a.....	1	14380100	HOUSING	0044	a.....	1	45881575	WASHER
0020	a.....	1	31442186	HANDLE RIGHT	0045	a.....	1	45883250	WASHER
0021	a.....	1	31442191	HANDLE LEFT	0046	a.....	1	22840375	FAN
0022	a.....	1	32600170	GEAR	0047	a.....	1	23943020	WIRE
0023	a.....	1	32600185	GEAR	0048	a.....	1	23943010	WIRE
0024	a.....	4	32620210	PLANET GEAR	0049	a.....	1	22182080	CARBON BRUSH

Repairs/modification and testing of electric power tools are to be carried out by specialists. The safety regulations according to DIN/VDE/CEE/AFNOR and other regulations valid in the different countries are to be observed.

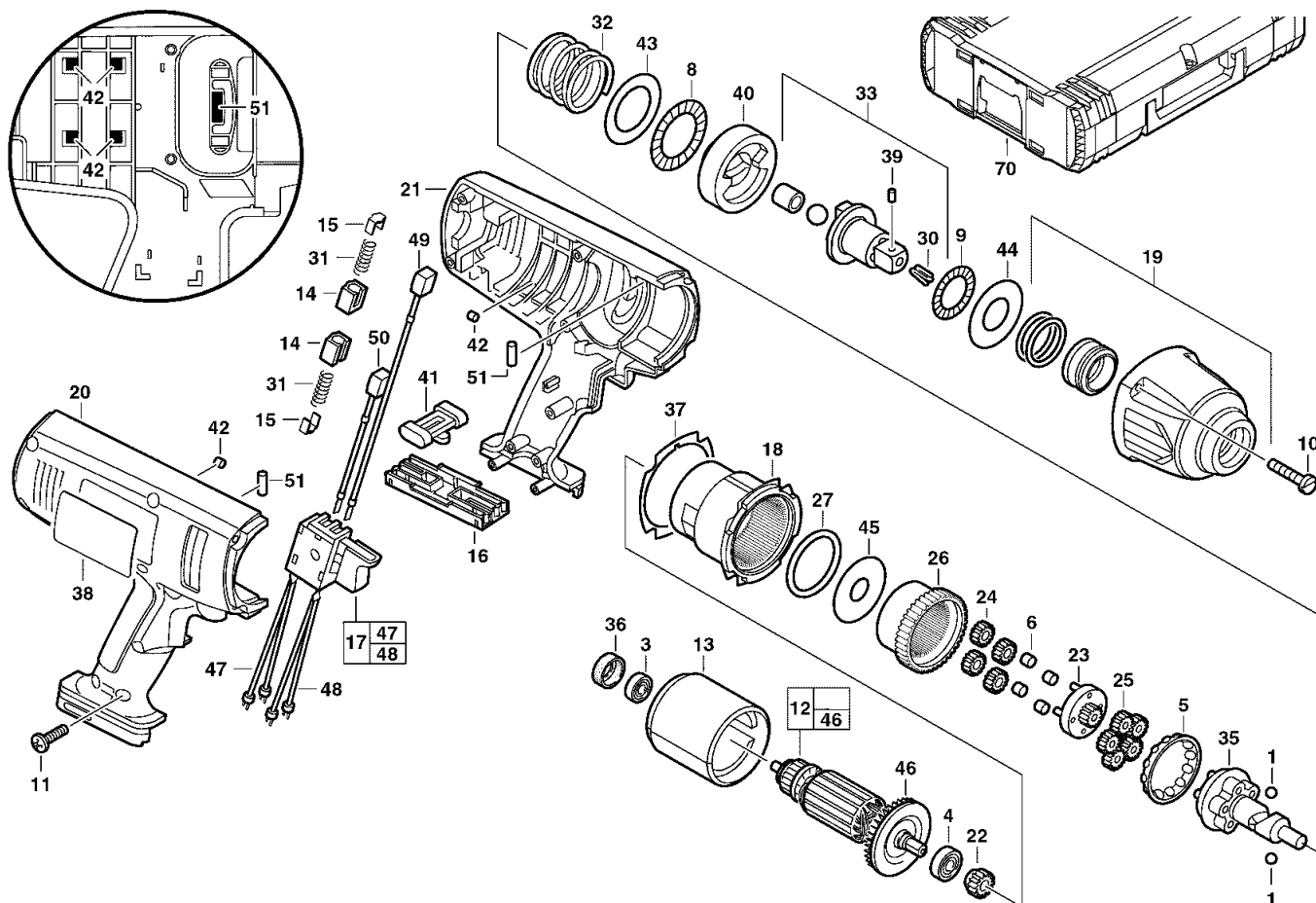
A & M Electric Tools

Battery Tools

Ind	Product No.	Type	Voltage	Country
a	4000384844	PIW18	18V	***

Ind	Product No.	Type	Voltage	Country

Milwaukee			
PIW 18			
Exp.view No.	Version	Date	Page
4926 3847 17	0005	16.01.07	2/2



Pos	Index	Quanti	Article No.	Designation
0050	a.....	1	22181980	CARBON BRUSH
0051	a.....	2	45300025	HOLDING-DOWN DEVIC
0070	a.....	1	4932378986	CARRYING CASE

Pos	Index	Quanti	Article No.	Designation

Repairs/modification and and testing of electric power tools are to be carried out by specialists. The safety regulations according to DIN/VDE/CEE/AFNOR and other regulations valid in the different countries are to be observed.